

---

## Electrical Circuit Diagrams

**3200**

**DuraStar® - 4100 / 4300 / 4400**

**WorkStar® - 7300 / 7400 / 7500 / 7600 / 7700**

**TranStar® - 8500 / 8600 and**

**RXT Models Built March 19, 2008 to May 16, 2010**

**Navistar, Inc.**

2701 Navistar Drive, Lisle, IL 60532 USA



## TABLE OF CONTENTS

<b>2. INSTRUCTIONS AND CHARTS (CHAPTER 2).....</b>	<b>1</b>
2.1. ABBREVIATIONS, P. 1.....	1
2.2. ACRONYMS, P. 2.....	2
2.3. CIRCUIT DIAGRAM INSTRUCTIONS, P. 3.....	3
2.4. CIRCUIT NUMBER IDENTIFICATION AND COLOR, P. 4.....	4
2.5. CIRCUIT NUMBER IDENTIFICATION AND COLOR, P. 5.....	5
2.6. CIRCUIT NUMBER IDENTIFICATION AND COLOR, P. 6.....	6
2.7. LAMP BULB CHART, P. 7.....	7
2.8. RELAY FUNCTION AND WIRING GUIDE, P. 8.....	8
2.9. SCHEMATIC SYMBOL CHART, P. 9.....	9
2.10. SCHEMATIC SYMBOL CHART, P. 10.....	10
2.11. SCHEMATIC SYMBOL CHART, P. 11.....	11
2.12. SCHEMATIC SYMBOL CHART, P.12.....	12
<b>3. 12 VOLT POWER DISTRIBUTION, GROUNDS, DATA BUS AND ELECTRICAL SYSTEM CONTROLLER (CHAPTER 3).....</b>	<b>13</b>
3.1. BATTERY FEED, DUAL, P. 1.....	13
3.2. BATTERY FEED, DUAL (CONT.), P. 2.....	14
3.3. BATTERY FEED, DUAL (CONT.), P. 3.....	15
3.4. ACCESSORY FEED, P. 4.....	16
3.5. IGNITION FEED – STANDARD, THEFT DETERRENT, REMOTE START / STOP, P. 5.....	17
3.6. IGNITION FEED RELAY 1, P. 6.....	18
3.7. IGNITION FEED RELAY 2, P. 7.....	19
3.8. IGNITION FEED RELAY 3, P. 8.....	20
3.9. J1708 DATA LINK – PUBLIC EFFECTS, P. 9.....	21
3.10. J1708 DATA LINK – PUBLIC EFFECTS (CONT.), P. 10.....	22
3.11. J1708 DATA LINK – PRIVATE WITH POWER WINDOW AND LOCK, P. 11.....	23
3.12. J1939 DATA LINK, P. 12.....	24
3.13. J1939 DATA LINK WITH OPTIONS, P. 13.....	25
3.14. J1939 DATA LINK WITH OPTIONS (CONT.), P. 14.....	26
3.15. J1939 DATA LINK – ISM 2007 / EURO IV ENGINE, P. 15.....	27
3.16. J1939 DATA LINK – I6 2007 ENGINE, P. 16.....	28
3.17. J1939 DATA LINK – C11 / C13 2007 ENGINE, P. 17.....	29
3.18. GROUND – IP, P. 18.....	30
3.19. GROUND – IP (CONT.), P. 19.....	31
3.20. GROUND –IP (CONT.), P. 20.....	32
3.21. GROUND – IP(CONT.) , P. 21.....	33
3.22. ENGINE GROUND, P. 22.....	34
3.23. ENGINE GROUND CAT C11–C13 2007 ENGINE, P. 23.....	35
3.24. GROUND – CHASSIS, P. 24.....	36
3.25. GROUND – CHASSIS WITH HEAVY DUTY DIESEL, P. 25.....	37
3.26. GROUND – CHASSIS, P. 26.....	38
3.27. GROUND – CHASSIS (CONT.), P. 27.....	39
3.28. ZERO VOLT REFERENCE, P. 28.....	40
3.29. GROUND – CHASSIS, P. 29.....	41
3.30. J1939 DATA LINK WITH V8 ENGINE, P. 30.....	42
3.31. ENGINE GROUND – IBB ENGINE, P. 31.....	43
3.32. J1939 DATA LINK – IBB ENGINE (CONT.), P. 32.....	44
3.33. J1939 DATA LINK – IBB ENGINE (CONT.), P. 33.....	45
3.34. BATTERY FEED, SINGLE, P. 34.....	46
3.35. BATTERY FEED, SINGLE (CONT.), P. 35.....	47

**TABLE OF CONTENTS (CONT.)**

3.36.	GROUND – SEAT AND SEATBELT SENSOR, P. 36.....	48
<b>4.</b>	<b>CAB ACCESSORIES (CHAPTER 4).....</b>	<b>49</b>
4.1.	CIGAR LIGHTER AND POWER FEED, P. 1.....	49
4.2.	CIGAR LIGHTER AND POWER FEED (CONT.), P. 2.....	50
4.3.	CB POWER RADIO, P. 3.....	51
4.4.	COMPASS AND TEMPERATURE DISPLAY, P. 4.....	52
4.5.	FRONT DOOR WINDOWS AND LOCKS (POWER), P. 5.....	53
4.6.	FRONT DOOR WINDOWS AND LOCKS (POWER) FOR CREW, P. 6.....	54
4.7.	HORN, ELECTRIC AND AIR, P. 7.....	55
4.8.	HORN, ELECTRIC AND AIR (CONT.), P. 8.....	56
4.9.	MIRRORS (HEATED, LIGHTED AND POWER), P. 9.....	57
4.10.	MIRRORS (HEATED, LIGHTED AND POWER) (CONT.), P. 9A.....	58
4.11.	DUAL HEATED MOTORIZED MIRRORS WITH HEATED WINDSHIELD, WITHOUT HYD FPB, P. 9B.....	59
4.12.	DUAL HEATED MOTORIZED MIRRORS WITH HEATED WINDSHIELD, WITH HYD FPB, P. 9C.....	60
4.13.	RADIO (ENTERTAINMENT), SPEAKERS WITH 12 WAY CONN, P. 10.....	61
4.14.	RADIO (ENTERTAINMENT), SPEAKERS WITH 16 WAY CONN, P. 11.....	62
4.15.	2-WAY RADIO, P. 12.....	63
4.16.	WINDSHIELD WIPER, P. 13.....	64
4.17.	WASHER PUMP, P. 14.....	65
4.18.	SWITCH PACK OPTIONAL GAUGE PACK, P. 15.....	66
4.19.	ROOF AUXILIARY LOAD, P. 16.....	67
4.20.	SATELLITE COMMUNICATION – QUALCOMM IMCT, P. 17.....	68
4.21.	SATELLITE COMMUNICATION – TRIPMASTER, P. 18.....	69
4.22.	COMPUTER PREWIRED – XATA SYSTEM, P. 19.....	70
4.23.	CADEC GPS SYSTEM, P. 20.....	71
4.24.	SATELLITE COMMUNICATION – MOBILEMAX, P. 21.....	72
4.25.	SELF CONTAINED AIR SEAT, P. 22.....	73
4.26.	HEATED SEATS, P. 23.....	74
4.27.	AWARE SYSTEM, P. 24.....	75
4.28.	EATON VORAD COLLISION AVOIDANCE SYSTEM, P. 25.....	76
4.29.	EATON VORAD COLLISION AVOIDANCE SYSTEM (CONT.), P. 26.....	77
4.30.	DRIVER DISPLAY, P. 27.....	78
4.31.	BACK-UP CAMERA, P. 28.....	79
4.32.	SATELLITE COMMUNICATION – QUALCOMM MCT, P. 29.....	80
4.33.	SATELLITE COMMUNICATION – QUALCOMM IMCT WITH MVPC KEYBOARD, P. 30.....	81
4.34.	SATELLITE COMMUNICATION – QUALCOMM TMCT, P. 31.....	82
4.35.	SATELLITE COMMUNICATION – QUALCOMM TMCT(CONT.) , P. 32.....	83
4.36.	AIR SHIELD LIGHT, P. 33.....	84
4.37.	SEATBELT AND SEAT SENSOR, P. 39.....	85
4.38.	SEATBELT AND SEAT SENSOR (CONT.), P. 40.....	86
4.39.	SEATBELT AND SEAT SENSOR (CONT.), P. 41.....	87
<b>5.</b>	<b>12V CHARGING + CRANKING SYSTEM (CHAPTER 5).....</b>	<b>88</b>
5.1.	STARTING AND CRANKING I6 / V8 ENGINE WITH MANUAL TRANSMISSION, P. 1.....	88
5.2.	STARTING AND CRANKING CAT WITH EURO IV ISM ENGINE & IBB ENGINE WITH MANUAL TRANSMISSION, P. 2.....	89
5.3.	STARTING AND CRANKING I6 / V8 ENGINE WITH ALLISON TRANSMISSION, P. 3.....	90

## TABLE OF CONTENTS (CONT.)

5.4.	STARTING AND CRANKING CAT, CUMMINS AND IBB ENGINE WITH ALLISON TRANSMISSION, P. 4.....	91
5.5.	STARTING AND CRANKING I6 ENGINE WITH AUTOSHIFT, ULTRASHIFT AND EATON HYBRID TRANSMISSION, P. 5.....	92
5.6.	STARTING AND CRANKING CAT, EURO IV ISM, AND IBB ENGINES WITH AUTOSHIFT AND ULTRASHIFT TRANSMISSION, P. 6.....	93
5.7.	I6 POWER PACK, P. 7.....	94
5.8.	ROCKER START, P. 8.....	95
<b>6.</b>	<b>FANS AND ENGINE ACCESSORIES (CHAPTER 6).....</b>	<b>96</b>
6.1.	FAN WIRING, I6 / V8 2007 ENGINES, P. 1.....	96
6.2.	FAN WIRING, ISM, C11–C13 2007 ENGINES, P. 2.....	97
6.3.	STARTING AID – ETHER START, P. 3.....	98
6.4.	SNOW VALVE, P. 4.....	99
6.5.	SNOW VALVE WITH IBB ENGINE, P. 4A.....	100
6.6.	STARTING AID – COLD START ASSIST (IBB ENGINE), P. 5.....	101
6.7.	FAN WIRING – IBB ENGINE, P. 6.....	102
<b>7.</b>	<b>ELECTRONIC ENGINES (CHAPTER 7).....</b>	<b>103</b>
7.1.	ELECTRONIC ENGINE CONTROLS, CAT ENGINES, P. 1.....	103
7.2.	ELECTRONIC ENGINE CONTROLS, CAT ENGINES (CONT.), P. 2.....	104
7.3.	ENGINE BODY BUILDER – REMOTE ENGINE CONTROL (CAT ENGINE), P. 3.....	105
7.4.	ELECTRONIC ENGINE CONTROLS (ISM 2007 / EURO IV ENGINE), P. 4.....	106
7.5.	ELECTRONIC ENGINE CONTROLS, EURO IV ISM ENGINE (CONT.), P. 5.....	107
7.6.	ELECTRONIC ENGINE CONTROLS, ISM 2007 & EURO IV ISM ENGINES (CONT.), P. 6....	108
7.7.	ELECTRONIC ENGINE CONTROLS (EURO IV ISM ENGINE), P. 6A.....	109
7.8.	ELECTRONIC ENGINE CONTROLS (EURO IV ISM ENGINE) (CONT.), P. 6AB.....	110
7.9.	ELECTRONIC ENGINE CONTROLS, I6 ENGINES, P. 7.....	111
7.10.	ELECTRONIC ENGINE CONTROLS, I6 ENGINES (CONT.), P. 8.....	112
7.11.	ELECTRONIC ENGINE CONTROLS, I6 ENGINES (CONT.), P. 9.....	113
7.12.	ELECTRONIC ENGINE CONTROLS, I6 ENGINES (CONT.), P. 10.....	114
7.13.	ELECTRONIC ENGINE CONTROLS, I6 ENGINES, P. 11.....	115
7.14.	ELECTRONIC ENGINE CONTROLS – V8 ENGINES, P. 12.....	116
7.15.	ELECTRONIC ENGINE CONTROLS – V8 ENGINES (CONT.), P. 13.....	117
7.16.	ELECTRONIC ENGINE CONTROLS – V8 ENGINES (CONT.), P. 14.....	118
7.17.	CRUISE CONTROL, P. 15.....	119
7.18.	ELECTRONIC ENGINE CONTROLS (IBB ENGINE), P. 16.....	120
7.19.	ELECTRONIC ENGINE CONTROLS (IBB ENGINE) (CONT.), P. 17.....	121
7.20.	ELECTRONIC ENGINE CONTROLS (IBB ENGINE) (CONT.), P. 17A.....	122
7.21.	ELECTRONIC ENGINE CONTROLS (IBB ENGINE) (CONT.), P. 18.....	123
7.22.	ELECTRONIC ENGINE CONTROLS (IBB ENGINE) (CONT.), P. 19.....	124
7.23.	ELECTRONIC ENGINE CONTROLS (IBB ENGINE) (CONT.), P. 20.....	125
7.24.	AFTERTREATMENT (IBB ENGINE), P. 21.....	126
7.25.	AFTERTREATMENT (CAT ENGINE), P. 22.....	127
7.26.	AFTERTREATMENT (ISM 2007 & EURO IV ISM ENGINE), P. 22A.....	128
7.27.	AFTERTREATMENT (ISM 2007 & EURO IV ISM ENGINE), P. 22B.....	129
<b>8.</b>	<b>GAUGES WITH AND WITHOUT INTERNAL WARNING LIGHT (CHAPTER 8).....</b>	<b>130</b>
8.1.	IP / GAUGES, P. 1.....	130
8.2.	WARNING LIGHT LIST, P. 2.....	131

**TABLE OF CONTENTS (CONT.)**

8.3.	WARNING LIGHTS CONTROLLED BY ENGINE, TRANSMISSION, ABS CONTROLLER, P. 3.....	132
8.4.	ENGINE OIL PRESSURE AND TEMP, SPEEDOMETER, TACHOMETER, VOLTMETER AND WATER TEMP GAUGE CIRCUITS, P. 4.....	133
8.5.	IP GAUGES AND WARNING LIGHTS – GAUGE CLUSTER, P. 5.....	134
8.6.	AIR PRESSURE INPUT CIRCUIT, P. 6.....	135
8.7.	AXLE TEMPERATURE, GAUGE INPUT CIRCUIT, P. 7.....	136
8.8.	FUEL GAUGE CIRCUITRY (SINGLE TANK), P. 8.....	137
8.9.	DIFFERENTIAL LOCK WARNING LAMPS, P. 9.....	138
8.10.	PARK BRAKE SWITCH HYDRAULIC, P. 9A.....	139
8.11.	AIR PARK BRAKE AND MANUAL TRANSMISSION OIL TEMP GAUGE, P. 10.....	140
8.12.	FREEDOMLINE TRANSMISSION OIL TEMP GAUGE AND SURGE PUMP, P. 10A.....	141
8.13.	GAUGES AND WARNING LIGHTS – AMMETER, P. 11.....	142
8.14.	ENGINE OIL TEMPERATURE GAUGE WITH CATERPILLAR, P. 12.....	143
8.15.	FRONT AXLE ENGAGEMENT LAMP, P. 13.....	144
8.16.	WARNING LIGHTS – RIGHT BANK – OPTIONAL, P. 14.....	145
8.17.	WARNING LIGHTS — LEFT BANK — OPTIONAL, P. 15.....	146
8.18.	LOAD MONITORING, P. 16.....	147
<b>9.</b>	<b>LIGHTS (CHAPTER 9).....</b>	<b>148</b>
9.1.	BACK-UP LIGHTS WITHOUT ALLISON TRANSMISSION, P. 1.....	148
9.2.	BACK-UP LIGHTS WITH ALLISON TRANSMISSION, P. 2.....	149
9.3.	LIGHT SYSTEMS – CLEARANCE, MARKER, PARK, TAIL, TURN AND STOP LIGHTS, P. 3.....	150
9.4.	LIGHT SYSTEMS – CLEARANCE, MARKER, PARK, TAIL, TURN AND STOP LIGHTS (CONT.), P. 4.....	151
9.5.	LIGHT SYSTEMS – CLEARANCE, MARKER, PARK, TAIL, TURN AND STOP LIGHTS (CONT.), P. 5.....	152
9.6.	LIGHT SYSTEMS – CLEARANCE, MARKER, PARK, TAIL, TURN AND STOP LIGHTS (CONT.), P. 6.....	153
9.7.	LIGHT SYSTEMS – TURN SIGNAL AND STOP SWITCHES, P. 7.....	154
9.8.	DOME LIGHT, MAP LIGHT, P. 8.....	155
9.9.	DOME LIGHT, MAP LIGHT (CONT.), P. 9.....	156
9.10.	DOME LIGHT, MAP LIGHT (CONT.), P. 10.....	157
9.11.	FOG LIGHT, P. 11.....	158
9.12.	HEADLIGHTS, P. 12.....	159
9.13.	AUX. HEADLIGHTS, SNOW PLOW LIGHTS, P. 13.....	160
9.14.	AUX. HEADLIGHTS, SNOW PLOW LIGHTS (CONT), P. 14.....	161
9.15.	PANEL LIGHTS, P. 15.....	162
9.16.	WORK LIGHT, P. 16.....	163
<b>10.</b>	<b>CHASSIS ACCESSORIES (CHAPTER 10).....</b>	<b>164</b>
10.1.	ABS – BENDIX AIR, P. 1.....	164
10.2.	ABS – BENDIX AIR, P. 2.....	165
10.3.	ABS – BENDIX AIR (CONT.), P. 3.....	166
10.4.	ABS – WABCO AIR (8000 MODELS), P. 4.....	167
10.5.	ABS – WABCO AIR (4000 / 7000 MODELS), P. 4A.....	168
10.6.	ABS – WABCO AIR (8000 MODELS) (CONT.), P. 5.....	169
10.7.	ABS – WABCO AIR (4000 / 7000 MODELS) (CONT.), P. 5A.....	170
10.8.	ABS – WABCO AIR (4000 / 7000 MODELS) (CONT.), P. 5B.....	171
10.9.	WABCO FULL POWER BRAKES, P. 6.....	172

**TABLE OF CONTENTS (CONT.)**

10.10. WABCO FULL POWER BRAKES, P. 7.....	173
10.11. WABCO FULL POWER BRAKES, P. 8.....	174
10.12. BODY BUILDER AND TRAILER – TURN, MARKERS AND STOP, P. 9.....	175
10.13. BODY BUILDER AND TRAILER – TURN, MARKERS AND STOP, P. 10.....	176
10.14. TRAILER SOCKET – BOC AND EOF, P. 11.....	177
10.15. BODY BUILDER AND TRAILER SOCKET – BOC AND EOF, P. 12.....	178
10.16. BODY BUILDER CONNECTIONS, P. 13.....	179
10.17. REMOTE START / STOP, P. 14.....	180
10.18. AUX TRAILER CIRCUIT, P. 15.....	181
10.19. TWO SPEED AXLE SWITCH, P. 16.....	182
10.20. AIR SOLENOID, P. 17.....	183
10.21. AIR SOLENOID (CONT.), P. 18.....	184
10.22. REMOTE POWER MODULE – BATTERY BOX MOUNTED, P. 19.....	185
10.23. REMOTE POWER MODULE – CAB MOUNTED, P. 19A.....	186
10.24. REMOTE POWER MODULE – END OF FRAME, P. 19B.....	187
10.25. REMOTE ENGINE SPEED CONTROL MODULE – WITH REMOTE POWER MODULE, P. 19C.....	188
10.26. BLANK PAGE, P. 20.....	189
10.27. AUX AND POWER SOURCE, P. 21.....	190
10.28. AIR DRYER AND HEATED DRAIN VALVE, P. 22.....	191
10.29. FUEL / WATER SEPARATOR, P. 23.....	192
10.30. ELECTRIC TRAILER BRAKE, P. 24.....	193
10.31. LECTRASHIFT ACCOMMODATION, P. 25.....	194
10.32. HOUR METER – PTO, P. 26.....	195
10.33. AUX INPUTS AND DRIVERS, P. 27.....	196
10.34. FUEL TRANSFER PUMP, P. 28.....	197
10.35. BLANK PAGE, P. 29.....	198
10.36. BLANK PAGE, P. 30.....	199
10.37. BLANK PAGE, P. 31.....	200
10.38. POWER SOURCE, CUSTOMER INSTALLED LIFT GATE, P. 32.....	201
10.39. WHEELCHAIR LIFT INTERLOCK, P. 33.....	202
10.40. LIFT AXLE WITH CONTROLS FOR ONE LIFT AXLE, P. 34.....	203
10.41. LIFT AXLE (NON-STEERABLE), P. 35.....	204
10.42. LIFT AXLE (STEERABLE), P. 36.....	205
10.43. LIFT AXLES, P. 37.....	206
10.44. LIFT AXLES (CONT.), P. 37A.....	207
10.45. ABS – BENDIX AIR 6S / 6M, P. 38.....	208
10.46. ABS – BENDIX AIR 6S / 6M (CONT.), P. 39.....	209
10.47. LIFT AXLE WITH CONTROLS FOR TWO LIFT AXLES, P. 40.....	210
10.48. LIFT AXLE WITH CONTROLS FOR THREE LIFT AXLES, P. 41.....	211
10.49. LIFT AXLE WITH CONTROLS FOR FOUR LIFT AXLES, P. 42.....	212
10.50. ABS ROLL OVER STABILITY, P. 43.....	213
10.51. ABS ROLL OVER STABILITY (CONT.), P. 44.....	214
<b>11. TRANSMISSIONS (CHAPTER 11).....</b>	<b>215</b>
11.1. ALLISON GEN 4 1 / 2000 TRANSMISSION WITH I6 AND WITH V8 ENGINE, P. 1.....	215
11.2. ALLISON GEN 4 1 / 2000 TRANSMISSION WITH I6 AND WITH V8 ENGINE, P. 2.....	216
11.3. ALLISON GEN 4 1 / 2000 TRANSMISSION WITH I6, CAT, ISM ENGINE, P. 3.....	217
11.4. TRANSMISSION, ALLISON MD WITH I6 AND WITH V8 ENGINE, P. 4.....	218
11.5. TRANSMISSION, ALLISON MD 3 / 4000 WITH I6 AND WITH V8 ENGINE, P. 5.....	219
11.6. TRANSMISSION, ALLISON MD / HD (WTEC) WITH I6 AND WITH V8 ENGINE, P. 6.....	220

**TABLE OF CONTENTS (CONT.)**

11.7. TRANSMISSION, ALLISON MD / HD (WTEC) WITH I6 AND WITH V8 ENGINE (CONT.), P. 7.....	221
11.8. TRANSMISSION, ALLISON MD (WTEC), P. 8.....	222
11.9. TRANSMISSION, ALLISON MD (WTEC) (CONT.), P. 8A.....	223
11.10. TRANSMISSION, ALLISON MD (WTEC) (ISM ENGINE), P. 9.....	224
11.11. TRANSMISSION, ALLISON MD (WTEC) (ISM ENGINE), P. 10.....	225
11.12. TRANSMISSION, EATON ULTRASHIFT (ISM EURO IV ENGINE), P. 10A.....	226
11.13. EATON AUTOSHIFT TRANSMISSION WITH I6 ENGINE, P. 11.....	227
11.14. EATON AUTOSHIFT TRANSMISSION, P. 12.....	228
11.15. EATON AUTOSHIFT TRANSMISSION (CONT.), P. 12A.....	229
11.16. TRANSMISSION ALLISON MD (WTEC) WITH CAT ENGINE, P. 13.....	230
11.17. TRANSMISSION ALLISON MD (WTEC) WITH CAT ENGINE (CONT.), P. 14.....	231
11.18. TRANSMISSION RETARDER CONTROLS WIRING WITH MD TRANSMISSION HARD WIRED EFFECTS, P. 15.....	232
11.19. EATON AUTO AND ULTRASHIFT GEN 3 TRANSMISSION WITH CAT AND WITH ISM ENGINE, P. 16.....	233
11.20. ALLISON TRANSMISSION 3 / 4000 GEN 4 WITH AUTO NEUTRAL, P. 17.....	234
11.21. EATON ULTRASHIFT GEN 3 / MERITOR G – MANUAL TRANSMISSION, P. 18.....	235
11.22. EATON HYBRID TRANSMISSION, P. 19.....	236
11.23. EATON HYBRID TRANSMISSION (CONT.), P. 20.....	237
11.24. EATON HYBRID TRANSMISSION (CONT.), P. 21.....	238
11.25. EATON HYBRID TRANSMISSION (CONT.), P. 22.....	239
11.26. EATON HYBRID TRANSMISSION (CONT.), P. 23.....	240
11.27. EATON HYBRID TRANSMISSION (CONT.), P. 23A.....	241
11.28. TRANSMISSION ALLISON MD (WTEC) WITH CAT ENGINE, P. 24.....	242
11.29. FREEDOMLINE TRANSMISSION WITH CAT AND ISM ENGINE, P. 25.....	243
11.30. EATON AUTO AND ULTRASHIFT GEN 3 TRANSMISSION WITH IBB ENGINE, P. 26.....	244
11.31. TRANSMISSION ALLISON WITH IBB ENGINE, P. 27.....	245
11.32. TRANSMISSION ALLISON WITH IBB ENGINE, P. 28.....	246
11.33. TRANSMISSION ALLISON WITH IBB ENGINE, P. 29.....	247
11.34. TRANSMISSION ALLISON WITH IBB ENGINE, P. 30.....	248
<b>12. AIR CONDITIONING (CHAPTER 12).....</b>	<b>249</b>
12.1. AIR CONDITIONING, P. 1.....	249
12.2. AIR CONDITIONING, P. 2.....	250
12.3. HVAC SYSTEM, P. 3.....	251
12.4. HVAC SYSTEM (CONT.), P. 4.....	252
12.5. HVAC SYSTEM (CONT.), P. 5.....	253
12.6. AUTOTHERM SYSTEM, P. 6.....	254
<b>13. CONNECTOR COMPOSITES (CHAPTER 13).....</b>	<b>255</b>
13.1. CONNECTOR COMPOSITES (1J), (2J), (71), P. 1.....	255
13.2. CONNECTOR COMPOSITES (72), (254F), (254M), (345), (400), P. 2.....	256
13.3. CONNECTOR COMPOSITES (421), (422), (422F), (423), (424), (425), P. 3.....	257
13.4. CONNECTOR COMPOSITES (520), (521), (522), (523), (524), (670A), P. 4.....	258
13.5. CONNECTOR COMPOSITES (672M), (674), (674M), (675), (675M), (677), P. 4A.....	259
13.6. CONNECTOR COMPOSITES (677F), (678), (679), (680), P. 4B.....	260
13.7. CONNECTOR COMPOSITES (682), (827), P. 4C.....	261
13.8. CONNECTOR COMPOSITES (830), (1002), (1003), (1006), P. 5.....	262
13.9. CONNECTOR COMPOSITES (1008), (1009), P. 6.....	263
13.10. CONNECTOR COMPOSITE (1010), P. 7.....	264



## TABLE OF CONTENTS (CONT.)

13.11. CONNECTOR COMPOSITE (1011), P. 8.....	265
13.12. CONNECTOR COMPOSITE (1012), P. 9.....	266
13.13. CONNECTOR COMPOSITE (1013), P. 10.....	267
13.14. CONNECTOR COMPOSITE (1014), P. 11.....	268
13.15. CONNECTOR COMPOSITE (1015), P. 12.....	269
13.16. CONNECTOR COMPOSITE (1016), P. 13.....	270
13.17. CONNECTOR COMPOSITE (1017), P. 14.....	271
13.18. CONNECTOR COMPOSITE (1018), P. 15.....	272
13.19. CONNECTOR COMPOSITE (1019), P. 16.....	273
13.20. CONNECTOR COMPOSITE (1019) (CONT.), P. 16A.....	274
13.21. CONNECTOR COMPOSITES (1020), P. 17.....	275
13.22. CONNECTOR COMPOSITES (1021), (1022), (1023A), (1023B), P. 18.....	276
13.23. CONNECTOR COMPOSITES (1023C), (1023D), (1024), (1025), P. 18A.....	277
13.24. CONNECTOR COMPOSITES (1025), (1026), (1029), (1069), P. 19.....	278
13.25. CONNECTOR COMPOSITES (1100), (1100MA), (1101), (1101A), P. 20.....	279
13.26. CONNECTOR COMPOSITES (1105), (1106), (1107), (1108), P. 21.....	280
13.27. CONNECTOR COMPOSITES (1109), (1110), (1200), P. 22.....	281
13.28. CONNECTOR COMPOSITES (1210), (1227), (1227M), (1228), P. 23.....	282
13.29. CONNECTOR COMPOSITES (1229), (1230F), (1231), (1240F), P. 24.....	283
13.30. CONNECTOR COMPOSITES (1242), (1243), (1300), (1301), (1338), P. 25.....	284
13.31. CONNECTOR COMPOSITES (1378), (1400), (1401), (1402), P. 26.....	285
13.32. CONNECTOR COMPOSITES (1403), (1410), P. 26A.....	286
13.33. CONNECTOR COMPOSITES (1420), (1421), (1500), P. 27.....	287
13.34. CONNECTOR COMPOSITES (1501), (1510), (1511), (1512), P. 28.....	288
13.35. CONNECTOR COMPOSITES (1556), (1557), (1558), (1600), P. 29.....	289
13.36. CONNECTOR COMPOSITE (1601), P. 30.....	290
13.37. CONNECTOR COMPOSITE (1602), P. 31.....	291
13.38. CONNECTOR COMPOSITES (1603), (1604), (1620), (1623), P. 32.....	292
13.39. CONNECTOR COMPOSITES (1625), (1626), (1650), (1657), P. 33.....	293
13.40. CONNECTOR COMPOSITES (1660), (1661), P. 34.....	294
13.41. CONNECTOR COMPOSITE (1700), P. 35.....	295
13.42. CONNECTOR COMPOSITE (1700), P. 36.....	296
13.43. CONNECTOR COMPOSITE (1700), P. 37.....	297
13.44. CONNECTOR COMPOSITE (1701), P. 38.....	298
13.45. CONNECTOR COMPOSITE (1701), P. 39.....	299
13.46. CONNECTOR COMPOSITE (1701), P. 40.....	300
13.47. CONNECTOR COMPOSITE (1702), P. 41.....	301
13.48. CONNECTOR COMPOSITE (1702), P. 41A.....	302
13.49. CONNECTOR COMPOSITE (1702), P. 42.....	303
13.50. CONNECTOR COMPOSITE (1702), P. 43.....	304
13.51. CONNECTOR COMPOSITE (1809), (1810), (1811), (1812), (1813), (1814), P. 44.....	305
13.52. CONNECTOR COMPOSITES (1800), P. 45.....	306
13.53. CONNECTOR COMPOSITES (1804), (1807), (1808), P. 46.....	307
13.54. CONNECTOR COMPOSITES (1809), (1810), (1811), (1812), (1813), (1815), (1822), P. 47... ..	308
13.55. CONNECTOR COMPOSITES (1820), (1821), P. 47A.....	309
13.56. CONNECTOR COMPOSITES (1823), (1824), (1825), (1826), (1827), P. 48.....	310
13.57. CONNECTOR COMPOSITES (1828), (1852), (1860), P. 48A.....	311
13.58. CONNECTOR COMPOSITES (1861), (1872), (1873), (1874), (1875), (1900), P. 49.....	312
13.59. CONNECTOR COMPOSITES (1901), (1902), (1910), (1912), (1916), P. 50.....	313
13.60. CONNECTOR COMPOSITES (1918), (1927), (1929), (1935), (2000), P. 51.....	314
13.61. CONNECTOR COMPOSITES (2000), (2002), (2003), (2004), (2005), (2006), P. 52.....	315

**TABLE OF CONTENTS (CONT.)**

13.62. CONNECTOR COMPOSITES (2020), (2021), (2022), (2115), (2116), (2116M), (2117), (2117M), P. 53.....	316
13.63. CONNECTOR COMPOSITES (2301), (2302), (2303), (2304), (2305), (2502), P. 54.....	317
13.64. CONNECTOR COMPOSITES (2503), (2600), (2601), (2602), P. 55.....	318
13.65. CONNECTOR COMPOSITES (2700), (2700M), P. 56.....	319
13.66. CONNECTOR COMPOSITES (2701), (2701F), (2701G), (2702), P. 57.....	320
13.67. CONNECTOR COMPOSITES (2990), (2991), (2992), (2993), (2994), (2995), (2996), (2997), (2998), (2999), (3000), (3001), P. 57A.....	321
13.68. CONNECTOR COMPOSITES (2703), (3000), (3002), (3003), P. 58.....	322
13.69. CONNECTOR COMPOSITES (3100), (3200), (3201), P. 59.....	323
13.70. CONNECTOR COMPOSITES (3202), (3203), (3204), (3208), P. 60.....	324
13.71. CONNECTOR COMPOSITES (3209), (3210), (3211), (3400), (4003), (4004), P. 61.....	325
13.72. CONNECTOR COMPOSITES (4017), (4018), (4019), (4021), (4022), (4037), (4038), (4070), (4071), P. 62.....	326
13.73. CONNECTOR COMPOSITES (4087 / 4087A), (4111M), (4120), P. 63.....	327
13.74. CONNECTOR COMPOSITES (4328), (4410D), (4410E), P. 64.....	328
13.75. CONNECTOR COMPOSITES (4410F), (4410H), (4410K), (4410L), (4410M), P. 65.....	329
13.76. CONNECTOR COMPOSITES (4450AM), (4450BM), (4450M), (4460AM), (4460BF), P. 66....	330
13.77. CONNECTOR COMPOSITES (4460BM / 4450BF), (4460M), (4500), (4705), P. 67.....	331
13.78. CONNECTOR COMPOSITES (4706), (4905), (4906), (4950), (4951), (5117), P. 68.....	332
13.79. CONNECTOR COMPOSITES (6000), (6001), P. 69.....	333
13.80. CONNECTOR COMPOSITES (6010), (6011), P. 70.....	334
13.81. CONNECTOR COMPOSITES (6018), (6019), (6020), P. 70A.....	335
13.82. CONNECTOR COMPOSITES (6020M), P. 71.....	336
13.83. CONNECTOR COMPOSITES (6020M), P. 72.....	337
13.84. CONNECTOR COMPOSITES (6021), (6022), (6023), (6033), P. 73.....	338
13.85. CONNECTOR COMPOSITES (6200), (6201), (6259), P. 74.....	339
13.86. CONNECTOR COMPOSITES (6261), (6262), (6263), (6304), (6316M), (6323), P. 75.....	340
13.87. CONNECTOR COMPOSITES (6323), (6334), (6400), (6401), P. 76.....	341
13.88. CONNECTOR COMPOSITES (6401), (6401 / 6407), (6402), (6403), P. 77.....	342
13.89. CONNECTOR COMPOSITES (6406A), (6407M), (6420), (6550), (6561), (6650), (6701), P. 77A.....	343
13.90. CONNECTOR COMPOSITES (6702), (6703A), (6703), (6704), P. 78.....	344
13.91. CONNECTOR COMPOSITES (6704A), (6704M), (6706), (6707), (6708 / 6709), (6712), P. 78A.....	345
13.92. CONNECTOR COMPOSITES (6713), (6714), (6716), (6716A), (6720 / 6721), (6725), P. 79...	346
13.93. CONNECTOR COMPOSITES (6730), (6731), P. 79A.....	347
13.94. CONNECTOR COMPOSITES (6732), (6747), P. 79B.....	348
13.95. CONNECTOR COMPOSITES (6900), (6901), (7103), (7103M), (7104), P. 80.....	349
13.96. CONNECTOR COMPOSITES (7104), (7104 / &7104F), (7105), P. 81.....	350
13.97. CONNECTOR COMPOSITES (7106), (7110 / &&7110A), (7111), P. 82.....	351
13.98. CONNECTOR COMPOSITES (7150), (7152), P. 83.....	352
13.99. CONNECTOR COMPOSITES (7150), (7150F / 7150F2), (7150 / 7151), P. 84.....	353
13.100. CONNECTOR COMPOSITES (7151), P. 85.....	354
13.101. CONNECTOR COMPOSITES (7205M / @7205), (7205M), (7206F / @7206), (7206F), P. 86.....	355
13.102. CONNECTOR COMPOSITES (7211), (7212), (7213), P. 87.....	356
13.103. CONNECTOR COMPOSITES (7250), (7251), (7350), P. 88.....	357
13.104. CONNECTOR COMPOSITES (7500), (7500W), (7502M / &7500A), (7501), (7600), (7600 / &7600A), (7601), (7601M), P. 89.....	358

**TABLE OF CONTENTS (CONT.)**

13.105.CONNECTOR COMPOSITES (7602), (7603), (7604), (7605), (7607), (7608), (7609), (7611), P. 90..... 359

13.106.CONNECTOR COMPOSITES (7615), (7616), (7617), (7700), (7700 / @7700K), P. 91..... 360

13.107.CONNECTOR COMPOSITES (7702), (7703), (7801F), P. 91A..... 361

13.108.CONNECTOR COMPOSITES (7801M), (7802), (7803), (7804), (7900), (7901), P. 92..... 362

13.109.CONNECTOR COMPOSITES (7905), (7909), P. 93..... 363

13.110.CONNECTOR COMPOSITES (7910), (7911), P. 93A..... 364

13.111.CONNECTOR COMPOSITES (8000), (8001), (8102), (8103), (8150), (8151), P. 94..... 365

13.112.CONNECTOR COMPOSITES (8200), (8201), (8301), (8303), (8305), (8310), (8311), P. 95... 366

13.113.CONNECTOR COMPOSITES (8312), (8410), (8500), (8501), P. 96..... 367

13.114.CONNECTOR COMPOSITES (8502), (8502A), P. 96A..... 368

13.115.CONNECTOR COMPOSITES (8503), (8503A), (8505), (8506), (8506A), (8507), (8507A), (8508), P. 97..... 369

13.116.CONNECTOR COMPOSITES (8508A), (8509A), (8520A), (8521), (8601),\, P. 97A..... 370

13.117.CONNECTOR COMPOSITES (8800), (8801), (8802), (8803), P. 98..... 371

13.118.CONNECTOR COMPOSITES (8805), (8806), P. 99..... 372

13.119.CONNECTOR COMPOSITES (8995), (8996), (8997), (8998), (8999), P. 99A..... 373

13.120.CONNECTOR COMPOSITES (8807), (8809), (8900), (9001), P. 100..... 374

13.121.CONNECTOR COMPOSITES (9100), (9101), (9102A / 9102), (9103), (9108), (9255), (9260), (9261), (9280), P. 101..... 375

13.122.CONNECTOR COMPOSITES (9300), (9303), P. 102..... 376

13.123.CONNECTOR COMPOSITES (9310), (9311), (9315), (9316), (9501), (9502), (9503), (9504), P. 103..... 377

13.124.CONNECTOR COMPOSITES (9505), (9506), (9510), (9510A), (9510B), (9510F), (9510M), P. 104..... 378

13.125.CONNECTOR COMPOSITE (9511), P. 105..... 379

13.126.CONNECTOR COMPOSITES (9512), (9513), (9514), (9516), (9516A), (9517), (9517A), P. 106..... 380

13.127.CONNECTOR COMPOSITES (9516), (9517), (9518), (9519), (9519A), (9520), (9521), (9522), (9523), (9524), P. 107..... 381

13.128.CONNECTOR COMPOSITES (9524), (9530), P. 108..... 382

13.129.CONNECTOR COMPOSITES (9715), (9716), P. 109..... 383

13.130.CONNECTOR COMPOSITES (9718), (9719M), (9720), (9736), (9737), P. 110..... 384

13.131.CONNECTOR COMPOSITES (9738), (9739), (9740 / 9740A / 9740B / 9740C), P. 111..... 385

13.132.CONNECTOR COMPOSITES (9740), (9745), (9746), (9747), (9748), P. 112..... 386

13.133.CONNECTOR COMPOSITES (9751), (9752), (9753), (9753A), (9754), P. 113..... 387

13.134.CONNECTOR COMPOSITES (9758), (9759), (9760), P. 114..... 388

13.135.CONNECTOR COMPOSITE (9761), P. 115..... 389

13.136.CONNECTOR COMPOSITES (9761F), (9762), (9763), (9764), (9765), (9766), P. 116..... 390

13.137.CONNECTOR COMPOSITES (9775), (9777), (9777A), (9777M), (9778), P. 117..... 391

13.138.CONNECTOR COMPOSITES (9779F), (9780M), (9781M), (9782F), P. 118..... 392

13.139.CONNECTOR COMPOSITES (9800), P. 119..... 393

13.140.CONNECTOR COMPOSITES (9811), (9812), (9814), (9815), (9820M), P. 120..... 394

13.141.CONNECTOR COMPOSITES (9830), (9832), (9900), (9900E), P. 121..... 395

13.142.CONNECTOR COMPOSITES (9913B), (9915), (9920), (9921), (9994), (9999), P. 122..... 396

## TABLE OF CONTENTS

---

# INSTRUCTIONS AND CHARTS (CHAPTER 2)

## 2.1. ABBREVIATIONS, P. 1

INTERNATIONAL TRUCK AND ENGINE CORPORATION				ELECTRICAL CIRCUIT DIAGRAM CHAPTER 2	
THIS PRINT IS PROVIDED ON A RESTRICTED BASIS AND IS NOT TO BE USED IN ANY WAY DETRIMENTAL TO THE INTEREST OF INTERNATIONAL TRUCK AND ENGINE CORPORATION.				ABBREVIATIONS	
ABBREVIATION	DESCRIPTION	ABBREVIATION	DESCRIPTION	ABBREVIATION	DESCRIPTION
ACCESS	ACCESSORY	CRUS	CRUISE	PWR	POWER
ACCUM	ACCUMULATOR	CUR	CURRENT	PRESS	PRESSURE
AC	AIR CONDITIONING	DPNL	DASHBOARD	RAD	RADIO
AIR CLR	AIR CLEANER	DFTR	DEFLECTOR	RLY	RELAY
ALT	ALTERNATOR	DFR	DEFROSTER	RES	RESISTOR
ACCEL	ACCELERATOR	DEG	DEGREE	REGEN	REGENERATE
AFTR	AFTERTREATMENT	DIAG	DIAGRAM	R	RIGHT
AMM	AMMETER	DSL	DIESEL	RTR	ROTOR
AMP	AMPERE	DIFF	DIFFERENTIAL	SNSR	SENSOR
AMP HR	AMPERE HOUR	DIMR	DIMMER	SHLD	SHIELD
AMPL	AMPLIFIER	ELEC	ELECTRICAL	SHFT	SHIFTER
ARM	ARMATURE	ELEX	ELECTRONIC	SLPR	SLEEPER
ARSR	ARRESTER	ENG	ENGINE	SLV	SLEEVE
ASSY	ASSEMBLY	EXH	EXHAUST	SPKR	SPEAKER
AUX	AUXILIARY	FL	FLUID	SPR	SPRING
B/U	BACK-UP	FWD	FORWARD	STD	STANDARD
BTRY	BATTERY	FR	FRONT	STRG	STEERING
BM	BENCHMARKING	FREQ	FREQUENCY	STLITE	SATELLITE
BLK	BLOCK	GA	GAUGE	SUNSH	SUNSHADE
BOOS	BOOSTER	GEN	GENERATOR	SW	SWITCH
BOT	BOTTOM	GND	GROUND	SYS	SYSTEM
BK	BRAKE	HARN	HARNESS	TACH	TACHOMETER
BRKR	BREAKER	HDLP	HEADLAMP	TEMP	TEMPERATURE
BRTHR	BREATHER	HTD	HEATED	TERM	TERMINAL
BRI	BRIGHT	HT TR	HEAT TREAT	THROT	THROTTLE
BUZ	BUZZER	HTR	HEATER	THRU	THROUGH
CA	CABLE	HP	HORSEPOWER	TRAC	TRACTION
CD	CANDELA	HYD	HYDRAULIC	TRLR	TRAILER
CP	CANDLEPOWER	ID	IDENTIFICATION	XDCR	TRANSUDCER
CAP	CAPACITOR	IGN	IGNITION	XFER	TRANSFER
CAT	CATERPILLAR	ILLUM	ILLUMINATION	XFMR	TRANSFORMER
CHAS	CHASSIS	IND	INDICATOR	XSTR	TRANSISTOR
CH	CHOKE	INST	INSTRUMENT	XMSN	TRANSMISSION
CIRC	CIRCUIT	INT	INTERMITTENT	XMTR	TRANSMITTER
CLK	CLOCK	L	LEFT	TRK	TRUCK
CW	CLOCKWISE	LT	LIGHT	UPR	UPPER
CLSTR	CLUSTER	LTR	LIGHTER	VLV	VALVE
CL	CLUTCH	LWR	LOWER	VERT	VERTICAL
COL	COLUMN	MAG	MAGNET	VM	VOLTMETER
COMM	COMMUTATOR	MOD	MODULATOR	VOL	VOLUME
COMPNT	COMPONENT	MDL	MODULE	WSHR	WASHER
CPRSR	COMPRESSOR	MOT	MOTOR	WHL	WHEEL
CONN	CONNECTOR	MTD	MOUNTED	WDO	WINDOW
CONT	CONTINUE	NEG	NEGATIVE	WSHLD	WINDSHIELD
CSL	CONSOLE	N/	NOT WITH	WPR	WIPER
CONT	CONTACT	NO	NUMBER	W/	WITH
CONT	CONTROL	PASS	PASSENGER	W/O	WITHOUT
CONV	CONVERTER	POSN	POSITION		
CLR	COOLER	POS	POSITIVE		
CTSY	COURTESY	POT	POTENTIOMETER		

CHK	DATE	CHANGE	REV	REFERENCE	DRAWN	NAME
RAW6	04DEC07	DELETED AC & RR FROM	B	61000T	U00K640	CIRCUIT DIAGRAM, 42/43/44/85/8600 & 73/74/7500
	ABBREVIATIONS LIST				RELEASE NO.	DATE
					59974G	12SEP06
						PART NO.
						AE08056608
						SHEET
						001

Figure 1 Abbreviations

# ELECTRICAL CIRCUIT DIAGRAM MANUAL

## 2.2. ACRONYMS, P. 2

INTERNATIONAL TRUCK AND ENGINE CORPORATION				ELECTRICAL CIRCUIT DIAGRAM CHAPTER 2																																																																																																																																																																			
THIS PRINT IS PROVIDED ON A RESTRICTED BASIS AND IS NOT TO BE USED IN ANY WAY DETRIMENTAL TO THE INTEREST OF INTERNATIONAL TRUCK AND ENGINE CORPORATION.				ACRONYMS																																																																																																																																																																			
<table border="1" style="width: 100%; border-collapse: collapse;"> <thead> <tr> <th style="width: 80%;">DESCRIPTION</th> <th style="width: 20%;">ACRONYM</th> </tr> </thead> <tbody> <tr><td>ANTILOCK BRAKING SYSTEM</td><td>ABS</td></tr> <tr><td>ANTENNA COMMUNICATION UNIT</td><td>ACU</td></tr> <tr><td>ALTERNATING CURRENT</td><td>AC</td></tr> <tr><td>AXLE TO BACK OF CAB</td><td>AC</td></tr> <tr><td>AXLE TO FRAME</td><td>AF</td></tr> <tr><td>ACCELERATOR PEDAL MODULE</td><td>APM</td></tr> <tr><td>ACCELERATOR POSITION SENSOR</td><td>APS</td></tr> <tr><td>AUXILIARY POWER UNIT</td><td>APU</td></tr> <tr><td>AMERICAN TRUCKING ASSOCIATION</td><td>ATA</td></tr> <tr><td>AUTOMATIC TRACTION CONTROL</td><td>ATC</td></tr> <tr><td>AUDIO VIDEO INTERFACE</td><td>AVI</td></tr> <tr><td>BAROMETRIC ATMOSPHERE PRESSURE</td><td>BAP</td></tr> <tr><td>BRAKE HORSEPOWER</td><td>BHP</td></tr> <tr><td>BACK OF CAB</td><td>BOC</td></tr> <tr><td>CITIZEN BAND</td><td>CB</td></tr> <tr><td>COLD CRANKING AMPERES</td><td>CCA</td></tr> <tr><td>CLEAN POWER ELECTRICAL CONNECTOR</td><td>CEC</td></tr> <tr><td>CENTRAL JUNCTION BOX</td><td>CJB</td></tr> <tr><td>CENTRAL PROCESSING UNIT</td><td>CPU</td></tr> <tr><td>CAB OVER ENGINE</td><td>COE</td></tr> <tr><td>DIRECT CURRENT</td><td>DC</td></tr> <tr><td>DRIVER CONTROL MODULE</td><td>DCM</td></tr> <tr><td>DIGITAL DATA LINK</td><td>DDL</td></tr> <tr><td>DIESEL OXIDATION CATALYST INLET TEMPERATURE</td><td>DOCT</td></tr> <tr><td>DIESEL PARTICULATE FILTER</td><td>DPF</td></tr> <tr><td>DIESEL PARTICULATE FILTER DELTA PRESSURE</td><td>DPFDP</td></tr> <tr><td>DIESEL PARTICULATE FILTER TEMPERATURE</td><td>DPFT</td></tr> <tr><td>DIESEL TURBOCHARGED</td><td>DT</td></tr> <tr><td>DAY TIME RUNNING LIGHTS</td><td>DTRL</td></tr> <tr><td>ELECTRONIC CONTROL MODULE</td><td>ECM</td></tr> <tr><td>ELECTRONIC CONTROL UNIT</td><td>ECU</td></tr> <tr><td>EXHAUST GAS RECIRCULATION</td><td>EGR</td></tr> <tr><td>EXHAUST GAS TEMPERATURE</td><td>EGT</td></tr> <tr><td>ELECTRO MAGNETIC INTERFERENCE</td><td>EMI</td></tr> <tr><td>END OF FRAME</td><td>EOF</td></tr> <tr><td>ELECTRIC TRAILER BRAKE</td><td>ETB</td></tr> <tr><td>FRONT AXLE</td><td>FA</td></tr> <tr><td>FRONT END</td><td>FE</td></tr> <tr><td>FRONT OF DASH</td><td>FOD</td></tr> <tr><td>FULL POWER BRAKE</td><td>FPB</td></tr> <tr><td>GENERIC ELECTRONIC MODULE</td><td>GEM</td></tr> <tr><td>GLOBAL POSITIONING SYSTEM</td><td>GPS</td></tr> <tr><td>HYDRAULIC CONTROL UNIT</td><td>HCU</td></tr> <tr><td>HEAVY DUTY</td><td>HD</td></tr> </tbody> </table>	DESCRIPTION	ACRONYM	ANTILOCK BRAKING SYSTEM	ABS	ANTENNA COMMUNICATION UNIT	ACU	ALTERNATING CURRENT	AC	AXLE TO BACK OF CAB	AC	AXLE TO FRAME	AF	ACCELERATOR PEDAL MODULE	APM	ACCELERATOR POSITION SENSOR	APS	AUXILIARY POWER UNIT	APU	AMERICAN TRUCKING ASSOCIATION	ATA	AUTOMATIC TRACTION CONTROL	ATC	AUDIO VIDEO INTERFACE	AVI	BAROMETRIC ATMOSPHERE PRESSURE	BAP	BRAKE HORSEPOWER	BHP	BACK OF CAB	BOC	CITIZEN BAND	CB	COLD CRANKING AMPERES	CCA	CLEAN POWER ELECTRICAL CONNECTOR	CEC	CENTRAL JUNCTION BOX	CJB	CENTRAL PROCESSING UNIT	CPU	CAB OVER ENGINE	COE	DIRECT CURRENT	DC	DRIVER CONTROL MODULE	DCM	DIGITAL DATA LINK	DDL	DIESEL OXIDATION CATALYST INLET TEMPERATURE	DOCT	DIESEL PARTICULATE FILTER	DPF	DIESEL PARTICULATE FILTER DELTA PRESSURE	DPFDP	DIESEL PARTICULATE FILTER TEMPERATURE	DPFT	DIESEL TURBOCHARGED	DT	DAY TIME RUNNING LIGHTS	DTRL	ELECTRONIC CONTROL MODULE	ECM	ELECTRONIC CONTROL UNIT	ECU	EXHAUST GAS RECIRCULATION	EGR	EXHAUST GAS TEMPERATURE	EGT	ELECTRO MAGNETIC INTERFERENCE	EMI	END OF FRAME	EOF	ELECTRIC TRAILER BRAKE	ETB	FRONT AXLE	FA	FRONT END	FE	FRONT OF DASH	FOD	FULL POWER BRAKE	FPB	GENERIC ELECTRONIC MODULE	GEM	GLOBAL POSITIONING SYSTEM	GPS	HYDRAULIC CONTROL UNIT	HCU	HEAVY DUTY	HD	<table border="1" style="width: 100%; border-collapse: collapse;"> <thead> <tr> <th style="width: 80%;">DESCRIPTION</th> <th style="width: 20%;">ACRONYM</th> </tr> </thead> <tbody> <tr><td>HEAVY DUTY DIESEL</td><td>HDD</td></tr> <tr><td>HIGH PERFORMANCE TRUCK</td><td>HPT</td></tr> <tr><td>HIGH SIDE DRIVER</td><td>HSD</td></tr> <tr><td>HEATING, VENTILATION, AND AIR CONDITIONING</td><td>HVAC</td></tr> <tr><td>INJECTOR DRIVE MODULE</td><td>IDM</td></tr> <tr><td>INPUT/OUTPUT</td><td>I/O</td></tr> <tr><td>INTEGRATED MOBILE COMMUNICATION TERMINAL</td><td>IMCT</td></tr> <tr><td>INSTRUMENT PANEL</td><td>I/P</td></tr> <tr><td>INDEPENDENT POWER TAKE-OFF</td><td>IPTO</td></tr> <tr><td>INPUT SPEED SENSOR</td><td>ISS</td></tr> <tr><td>LIGHT COMMERCIAL TRANSMISSION</td><td>LCT</td></tr> <tr><td>LOW PRESSURE MODULE</td><td>LPM</td></tr> <tr><td>LOW SIDE DRIVE</td><td>LSD</td></tr> <tr><td>MEDIUM DUTY</td><td>MD</td></tr> <tr><td>MOMENTARY ENGINE IGNITION INTERRUPT RELAY</td><td>MEIIR</td></tr> <tr><td>MALEFUNCTION INDICATION LAMP</td><td>MIL</td></tr> <tr><td>MULTIPLX SWITCH MODULE</td><td>MSM</td></tr> <tr><td>OUTPUT SPEED SENSOR</td><td>OSS</td></tr> <tr><td>PYROMETER AMMETER MODULE</td><td>PAM</td></tr> <tr><td>POWER DISTRIBUTION CENTER</td><td>PDC</td></tr> <tr><td>PROGRAMMABLE LOGIC CONTROLLER</td><td>PLC</td></tr> <tr><td>POWER TAKE-OFF</td><td>PTO</td></tr> <tr><td>PULSE WIDTH MODULATION</td><td>PWM</td></tr> <tr><td>REAR AXLE</td><td>RA</td></tr> <tr><td>RADIO FREQUENCY</td><td>RF</td></tr> <tr><td>ROLL STABILITY PROGRAM</td><td>RSP</td></tr> <tr><td>SEVERE SERVICE</td><td>SS</td></tr> <tr><td>TRANSMISSION CONTROL MODULE</td><td>TCM</td></tr> <tr><td>TERRESTRIAL COMMUNICATION UNIT</td><td>TCU</td></tr> <tr><td>TERRESTRIAL MOBILE COMMUNICATION TERMINAL</td><td>TMCT</td></tr> <tr><td>THERMAL OVERCRANK PROTECTION</td><td>TOCP</td></tr> <tr><td>THROTTLE POSITION SENSOR</td><td>TPS</td></tr> <tr><td>TURBINE SPEED SENSOR</td><td>TSS</td></tr> <tr><td>VEHICLE SPEED OUTPUT</td><td>VSO</td></tr> <tr><td>VEHICLE SPEED SENSOR</td><td>VSS</td></tr> <tr><td>WORLD TRANSMISSION ELECTRONIC CONTROLS</td><td>WTEC</td></tr> <tr><td>ZERO VOLT REFERENCE</td><td>ZVR</td></tr> </tbody> </table>	DESCRIPTION	ACRONYM	HEAVY DUTY DIESEL	HDD	HIGH PERFORMANCE TRUCK	HPT	HIGH SIDE DRIVER	HSD	HEATING, VENTILATION, AND AIR CONDITIONING	HVAC	INJECTOR DRIVE MODULE	IDM	INPUT/OUTPUT	I/O	INTEGRATED MOBILE COMMUNICATION TERMINAL	IMCT	INSTRUMENT PANEL	I/P	INDEPENDENT POWER TAKE-OFF	IPTO	INPUT SPEED SENSOR	ISS	LIGHT COMMERCIAL TRANSMISSION	LCT	LOW PRESSURE MODULE	LPM	LOW SIDE DRIVE	LSD	MEDIUM DUTY	MD	MOMENTARY ENGINE IGNITION INTERRUPT RELAY	MEIIR	MALEFUNCTION INDICATION LAMP	MIL	MULTIPLX SWITCH MODULE	MSM	OUTPUT SPEED SENSOR	OSS	PYROMETER AMMETER MODULE	PAM	POWER DISTRIBUTION CENTER	PDC	PROGRAMMABLE LOGIC CONTROLLER	PLC	POWER TAKE-OFF	PTO	PULSE WIDTH MODULATION	PWM	REAR AXLE	RA	RADIO FREQUENCY	RF	ROLL STABILITY PROGRAM	RSP	SEVERE SERVICE	SS	TRANSMISSION CONTROL MODULE	TCM	TERRESTRIAL COMMUNICATION UNIT	TCU	TERRESTRIAL MOBILE COMMUNICATION TERMINAL	TMCT	THERMAL OVERCRANK PROTECTION	TOCP	THROTTLE POSITION SENSOR	TPS	TURBINE SPEED SENSOR	TSS	VEHICLE SPEED OUTPUT	VSO	VEHICLE SPEED SENSOR	VSS	WORLD TRANSMISSION ELECTRONIC CONTROLS	WTEC	ZERO VOLT REFERENCE	ZVR
DESCRIPTION	ACRONYM																																																																																																																																																																						
ANTILOCK BRAKING SYSTEM	ABS																																																																																																																																																																						
ANTENNA COMMUNICATION UNIT	ACU																																																																																																																																																																						
ALTERNATING CURRENT	AC																																																																																																																																																																						
AXLE TO BACK OF CAB	AC																																																																																																																																																																						
AXLE TO FRAME	AF																																																																																																																																																																						
ACCELERATOR PEDAL MODULE	APM																																																																																																																																																																						
ACCELERATOR POSITION SENSOR	APS																																																																																																																																																																						
AUXILIARY POWER UNIT	APU																																																																																																																																																																						
AMERICAN TRUCKING ASSOCIATION	ATA																																																																																																																																																																						
AUTOMATIC TRACTION CONTROL	ATC																																																																																																																																																																						
AUDIO VIDEO INTERFACE	AVI																																																																																																																																																																						
BAROMETRIC ATMOSPHERE PRESSURE	BAP																																																																																																																																																																						
BRAKE HORSEPOWER	BHP																																																																																																																																																																						
BACK OF CAB	BOC																																																																																																																																																																						
CITIZEN BAND	CB																																																																																																																																																																						
COLD CRANKING AMPERES	CCA																																																																																																																																																																						
CLEAN POWER ELECTRICAL CONNECTOR	CEC																																																																																																																																																																						
CENTRAL JUNCTION BOX	CJB																																																																																																																																																																						
CENTRAL PROCESSING UNIT	CPU																																																																																																																																																																						
CAB OVER ENGINE	COE																																																																																																																																																																						
DIRECT CURRENT	DC																																																																																																																																																																						
DRIVER CONTROL MODULE	DCM																																																																																																																																																																						
DIGITAL DATA LINK	DDL																																																																																																																																																																						
DIESEL OXIDATION CATALYST INLET TEMPERATURE	DOCT																																																																																																																																																																						
DIESEL PARTICULATE FILTER	DPF																																																																																																																																																																						
DIESEL PARTICULATE FILTER DELTA PRESSURE	DPFDP																																																																																																																																																																						
DIESEL PARTICULATE FILTER TEMPERATURE	DPFT																																																																																																																																																																						
DIESEL TURBOCHARGED	DT																																																																																																																																																																						
DAY TIME RUNNING LIGHTS	DTRL																																																																																																																																																																						
ELECTRONIC CONTROL MODULE	ECM																																																																																																																																																																						
ELECTRONIC CONTROL UNIT	ECU																																																																																																																																																																						
EXHAUST GAS RECIRCULATION	EGR																																																																																																																																																																						
EXHAUST GAS TEMPERATURE	EGT																																																																																																																																																																						
ELECTRO MAGNETIC INTERFERENCE	EMI																																																																																																																																																																						
END OF FRAME	EOF																																																																																																																																																																						
ELECTRIC TRAILER BRAKE	ETB																																																																																																																																																																						
FRONT AXLE	FA																																																																																																																																																																						
FRONT END	FE																																																																																																																																																																						
FRONT OF DASH	FOD																																																																																																																																																																						
FULL POWER BRAKE	FPB																																																																																																																																																																						
GENERIC ELECTRONIC MODULE	GEM																																																																																																																																																																						
GLOBAL POSITIONING SYSTEM	GPS																																																																																																																																																																						
HYDRAULIC CONTROL UNIT	HCU																																																																																																																																																																						
HEAVY DUTY	HD																																																																																																																																																																						
DESCRIPTION	ACRONYM																																																																																																																																																																						
HEAVY DUTY DIESEL	HDD																																																																																																																																																																						
HIGH PERFORMANCE TRUCK	HPT																																																																																																																																																																						
HIGH SIDE DRIVER	HSD																																																																																																																																																																						
HEATING, VENTILATION, AND AIR CONDITIONING	HVAC																																																																																																																																																																						
INJECTOR DRIVE MODULE	IDM																																																																																																																																																																						
INPUT/OUTPUT	I/O																																																																																																																																																																						
INTEGRATED MOBILE COMMUNICATION TERMINAL	IMCT																																																																																																																																																																						
INSTRUMENT PANEL	I/P																																																																																																																																																																						
INDEPENDENT POWER TAKE-OFF	IPTO																																																																																																																																																																						
INPUT SPEED SENSOR	ISS																																																																																																																																																																						
LIGHT COMMERCIAL TRANSMISSION	LCT																																																																																																																																																																						
LOW PRESSURE MODULE	LPM																																																																																																																																																																						
LOW SIDE DRIVE	LSD																																																																																																																																																																						
MEDIUM DUTY	MD																																																																																																																																																																						
MOMENTARY ENGINE IGNITION INTERRUPT RELAY	MEIIR																																																																																																																																																																						
MALEFUNCTION INDICATION LAMP	MIL																																																																																																																																																																						
MULTIPLX SWITCH MODULE	MSM																																																																																																																																																																						
OUTPUT SPEED SENSOR	OSS																																																																																																																																																																						
PYROMETER AMMETER MODULE	PAM																																																																																																																																																																						
POWER DISTRIBUTION CENTER	PDC																																																																																																																																																																						
PROGRAMMABLE LOGIC CONTROLLER	PLC																																																																																																																																																																						
POWER TAKE-OFF	PTO																																																																																																																																																																						
PULSE WIDTH MODULATION	PWM																																																																																																																																																																						
REAR AXLE	RA																																																																																																																																																																						
RADIO FREQUENCY	RF																																																																																																																																																																						
ROLL STABILITY PROGRAM	RSP																																																																																																																																																																						
SEVERE SERVICE	SS																																																																																																																																																																						
TRANSMISSION CONTROL MODULE	TCM																																																																																																																																																																						
TERRESTRIAL COMMUNICATION UNIT	TCU																																																																																																																																																																						
TERRESTRIAL MOBILE COMMUNICATION TERMINAL	TMCT																																																																																																																																																																						
THERMAL OVERCRANK PROTECTION	TOCP																																																																																																																																																																						
THROTTLE POSITION SENSOR	TPS																																																																																																																																																																						
TURBINE SPEED SENSOR	TSS																																																																																																																																																																						
VEHICLE SPEED OUTPUT	VSO																																																																																																																																																																						
VEHICLE SPEED SENSOR	VSS																																																																																																																																																																						
WORLD TRANSMISSION ELECTRONIC CONTROLS	WTEC																																																																																																																																																																						
ZERO VOLT REFERENCE	ZVR																																																																																																																																																																						
<table border="1" style="width: 100%; border-collapse: collapse;"> <thead> <tr> <th>CHK</th> <th>DATE</th> <th>CHANGE</th> <th>REV</th> <th>REFERENCE</th> </tr> </thead> <tbody> <tr> <td>RAW6</td> <td>04DEC07</td> <td>REVISED AND REDRAWN</td> <td>B</td> <td>61000T</td> </tr> </tbody> </table>	CHK	DATE	CHANGE	REV	REFERENCE	RAW6	04DEC07	REVISED AND REDRAWN	B	61000T	<table border="1" style="width: 100%; border-collapse: collapse;"> <thead> <tr> <th>DRAWN</th> <th>NAME</th> </tr> </thead> <tbody> <tr> <td>U00K640</td> <td>CIRCUIT DIAGRAM, 42/43/44/85/8600 &amp; 73/74/7500</td> </tr> </tbody> </table>	DRAWN	NAME	U00K640	CIRCUIT DIAGRAM, 42/43/44/85/8600 & 73/74/7500	<table border="1" style="width: 100%; border-collapse: collapse;"> <thead> <tr> <th>RELEASE NO.</th> <th>DATE</th> <th>PART NO.</th> <th>SHEET</th> </tr> </thead> <tbody> <tr> <td>59974G</td> <td>12SEP06</td> <td>AE08056608</td> <td>002</td> </tr> </tbody> </table>	RELEASE NO.	DATE	PART NO.	SHEET	59974G	12SEP06	AE08056608	002																																																																																																																																															
CHK	DATE	CHANGE	REV	REFERENCE																																																																																																																																																																			
RAW6	04DEC07	REVISED AND REDRAWN	B	61000T																																																																																																																																																																			
DRAWN	NAME																																																																																																																																																																						
U00K640	CIRCUIT DIAGRAM, 42/43/44/85/8600 & 73/74/7500																																																																																																																																																																						
RELEASE NO.	DATE	PART NO.	SHEET																																																																																																																																																																				
59974G	12SEP06	AE08056608	002																																																																																																																																																																				

Figure 2 Acronyms

2.3. CIRCUIT DIAGRAM INSTRUCTIONS, P. 3

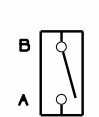
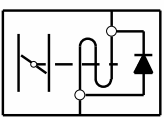
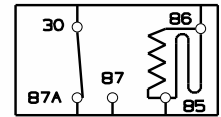
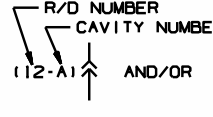
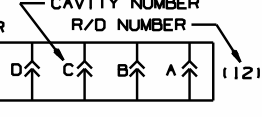
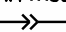
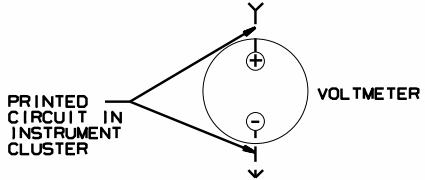
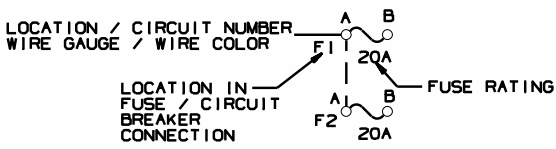
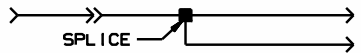
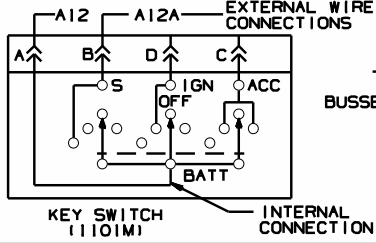
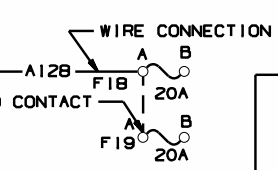
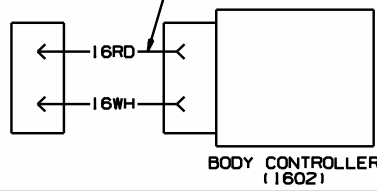
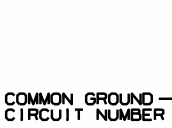
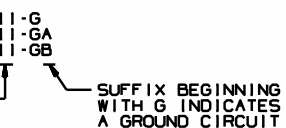
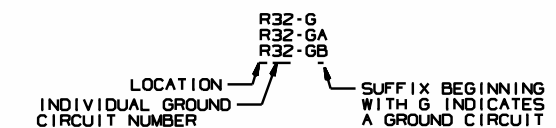
<p><b>INTERNATIONAL TRUCK AND ENGINE CORPORATION</b></p> <p>THIS PRINT IS PROVIDED ON A RESTRICTED BASIS AND IS NOT TO BE USED IN ANY WAY DETRIMENTAL TO THE INTEREST OF INTERNATIONAL TRUCK AND ENGINE CORPORATION.</p>	<p><b>ELECTRICAL CIRCUIT DIAGRAM</b>      <b>CHAPTER 2</b></p> <p>CIRCUIT DIAGRAM INSTRUCTIONS</p>																																										
<p><b>A - SWITCH AND RELAY POSITIONS AS SHOWN ON CIRCUIT DIAGRAMS INDICATE NORMAL POSITION WITH IGNITION OFF UNLESS OTHERWISE NOTED.</b></p> <div style="display: flex; justify-content: space-around; align-items: flex-end;"> <div style="text-align: center;">  <p>SWITCH, MECHANICAL</p> </div> <div style="text-align: center;">  <p>SOLENOID</p> </div> <div style="text-align: center;">  <p>RELAY - SUPPRESSED</p> </div> </div>	<p><b>B - MULTIPLE CONNECTIONS ARE DISPLAYED ON SCHEMATIC AS SHOWN WITH R/D NUMBER &amp; CAVITY NUMBER. REFER TO CONNECTOR COMPOSITE FOR MORE INFORMATION</b></p> <div style="display: flex; justify-content: space-around; align-items: center;"> <div style="text-align: center;">  <p>R/D NUMBER CAVITY NUMBER</p> </div> <div style="text-align: center;">  <p>CAVITY NUMBER R/D NUMBER</p> </div> </div> <p>SINGLE IN-LINE CONNECTORS DISPLAYED AS SHOWN BELOW WITHOUT R/D NUMBER</p> <div style="text-align: center;">  </div>																																										
<p><b>C - PHANTOM LINES INDICATE PRINTED CIRCUITS OR BUSSED CIRCUITS. THESE CIRCUITS EXIST IN THE INSTRUMENT CLUSTER AND FUSE / CIRCUIT BREAKER CONNECTORS.</b></p> <div style="display: flex; justify-content: space-around; align-items: center;"> <div style="text-align: center;">  <p>PRINTED CIRCUIT IN INSTRUMENT CLUSTER</p> <p>VOLTMETER</p> </div> <div style="text-align: center;">  <p>LOCATION / CIRCUIT NUMBER WIRE GAUGE / WIRE COLOR</p> <p>LOCATION IN FUSE / CIRCUIT BREAKER CONNECTION</p> <p>FUSE RATING</p> </div> </div>																																											
<p><b>D - MULTIPLE CIRCUIT NUMBERS ON A LINE INDICATE ONE CIRCUIT DISTRIBUTING CURRENT TO TWO CIRCUITS.</b></p> <div style="text-align: center;">  <p>SPLICE</p> </div>																																											
<p><b>E - SWITCHES, RELAYS AND COMPONENTS INDICATE EXTERNAL WIRE CONNECTIONS AND / OR INTERNAL CONNECTIONS OR CONTACTS.</b></p> <div style="display: flex; justify-content: space-around; align-items: center;"> <div style="text-align: center;">  <p>EXTERNAL WIRE CONNECTIONS</p> <p>INTERNAL CONNECTION</p> <p>KEY SWITCH (1101M)</p> </div> <div style="text-align: center;">  <p>WIRE CONNECTION</p> <p>BUSSED CONTACT</p> <p>PIGTAIL</p> </div> <div style="text-align: center;">  <p>16RD</p> <p>16WH</p> <p>BODY CONTROLLER (1602)</p> </div> </div>																																											
<p><b>F - CIRCUIT "11" DENOTES ANY COMMON GROUND (MORE THAN ONE CIRCUIT). ANY INDIVIDUAL GROUND CIRCUIT IS IDENTIFIED WITH THAT PARTICULAR CIRCUIT NUMBER. (E.G. CIRCUIT 32 CRUISE CONTROL IS IDENTIFIED AS PER EXAMPLE)</b></p> <div style="display: flex; justify-content: space-around; align-items: center;"> <div style="text-align: center;">  <p>COMMON GROUND CIRCUIT NUMBER</p> </div> <div style="text-align: center;">  <p>SUFFIX BEGINNING WITH G INDICATES A GROUND CIRCUIT</p> </div> <div style="text-align: center;">  <p>LOCATION INDIVIDUAL GROUND CIRCUIT NUMBER</p> <p>SUFFIX BEGINNING WITH G INDICATES A GROUND CIRCUIT</p> </div> </div> <p style="text-align: center; margin-top: 10px;">NOTE: FOR CIRCUIT DESCRIPTION OTHER THAN GROUNDS NEITHER THE LETTER "G" NOR THE COLOR WHITE SHALL BE USED</p>																																											
<table border="1" style="width: 100%; border-collapse: collapse; font-size: small;"> <tr> <td style="width: 5%;">CHK</td> <td style="width: 10%;">DATE</td> <td style="width: 25%;">CHANGE</td> <td style="width: 5%;">REV</td> <td style="width: 10%;">REFERENCE</td> <td style="width: 10%;">DRAWN</td> <td style="width: 35%;">NAME</td> </tr> <tr> <td></td> <td>0MAY07</td> <td>REVISED &amp; REDRAWN</td> <td>A</td> <td>60782A</td> <td>U00K640</td> <td>42/43/44/85/8600 &amp; 73/74/7500 CIRC DIAGRAMS</td> </tr> <tr> <td></td> <td></td> <td></td> <td></td> <td></td> <td>RELEASE NO.</td> <td>DATE</td> </tr> <tr> <td></td> <td></td> <td></td> <td></td> <td></td> <td>59974G</td> <td>20APR06</td> </tr> <tr> <td></td> <td></td> <td></td> <td></td> <td></td> <td>PART NO.</td> <td>SHEET</td> </tr> <tr> <td></td> <td></td> <td></td> <td></td> <td></td> <td>AE08-56608</td> <td>03</td> </tr> </table>		CHK	DATE	CHANGE	REV	REFERENCE	DRAWN	NAME		0MAY07	REVISED & REDRAWN	A	60782A	U00K640	42/43/44/85/8600 & 73/74/7500 CIRC DIAGRAMS						RELEASE NO.	DATE						59974G	20APR06						PART NO.	SHEET						AE08-56608	03
CHK	DATE	CHANGE	REV	REFERENCE	DRAWN	NAME																																					
	0MAY07	REVISED & REDRAWN	A	60782A	U00K640	42/43/44/85/8600 & 73/74/7500 CIRC DIAGRAMS																																					
					RELEASE NO.	DATE																																					
					59974G	20APR06																																					
					PART NO.	SHEET																																					
					AE08-56608	03																																					

Figure 3 Circuit Diagram Instructions

2.4. CIRCUIT NUMBER IDENTIFICATION AND COLOR, P. 4

INTERNATIONAL TRUCK AND ENGINE CORPORATION		ELECTRICAL CIRCUIT DIAGRAM CHAPTER 2	
THIS PRINT IS PROVIDED ON A RESTRICTED BASIS AND IS NOT TO BE USED IN ANY WAY DETRIMENTAL TO THE INTEREST OF INTERNATIONAL TRUCK AND ENGINE CORPORATION.		CIRCUIT NUMBER IDENTIFICATION AND COLOR	
CIRCUIT NUMBER	COLOR	DESCRIPTION	
1	LTBL	ALTERNATOR - FIELD	
2	RD	ALTERNATOR - CHARGE	
3	DKBL	SERIAL / DATA COMMUNICATION J1587 / J1708 (+)	
3	GY	SERIAL / DATA COMMUNICATION J1587 / J1708 (-)	
4	DKBL	SERIAL / DATA COMMUNICATION J1922 (+)	
4	GY	SERIAL / DATA COMMUNICATION J1922 (-)	
5	YL	SERIAL / DATA COMMUNICATION J1939 / 11 / J1939/15 (+)	
5	GN	SERIAL / DATA COMMUNICATION J1939 / 11 / J1939/15 (-)	
6	GY	LOW VOLTAGE ELECTRONIC FEED (LESS THAN 9 VOLTS)	
7	RD	ALTERNATOR - RESISTANCE	
8			
9	GY	LOW VOLTAGE ELECTRONIC GROUND	
10	WH	CHASSIS / ENGINE GROUND	
11	WH	CAB / SLEEPER GROUND	
12	LTBL	ACCESSORY FEED	
13	PK	IGNITION FEED	
13	BK	IGNITION FEED (BODY BUILDER CONNECTOR)	
14	RD	BATTERY FEED	
15	RD	KEY SWITCH FEED	
16			
17	PK	STARTER CONTROL	
18	PK	GLOW PLUG / PRE-HEATER	
19	GY	ENGINE SHUTDOWN	
20	LTGN	REMOTE POWER MODULE	
21	TN	COLD START CONTROLS (ETHER)	
22	TN	TIRE PRESSURE MONITORING / CONTROL	
23	TN	ENGINE FAN / SHUTTERS	
24	GY	ENGINE EXHAUST BRAKE	
25	TN	PYROMETER	
26	TN	AMMETER	
27	TN	VOLTMETER	
28	TN	INSTRUMENTS AND GAUGES	
29	TN	ENGINE WATER TEMPERATURE	
30	TN	ENGINE OIL TEMPERATURE	
31	TN	TRANSMISSION OIL TEMPERATURE	
32	TN	AXLE OIL TEMPERATURE	
33	TN	ENGINE OIL LEVEL	
34	TN	COOLANT LEVEL	
35	TN	ENGINE OIL PRESSURE	
36	TN	FUEL LEVEL	
37	TN	FUEL PUMP	
38	GY	LIFT AXLE	
39	GY	AIR DRYER HEATER	
40	GY	LOW AIR PRESSURE WARNING	
41	TN	AIR TEMPERATURE	
42	GY	FRONT AXLE ENGAGED	
43	GY	POWER DIVIDER LOCK (PDL) WARNING	
44	GY	PARK BRAKE WARNING	
45	LTGN	ANTI-THEFT WARNING	
CHK	DATE	CHANGE	REV REFERENCE DRAWN NAME
-	-	REVISED AND REDRAWN	B 61000T U00K640 CIRCUIT DIAGRAM, 42/43/44/85/8600 & 73/74/7500
			RELEASE NO. DATE PART NO. SHEET
			59974G 20APR06 AE08056608 004

Figure 4 Circuit Number Identification and Color



2.5. CIRCUIT NUMBER IDENTIFICATION AND COLOR, P. 5

INTERNATIONAL TRUCK AND ENGINE CORPORATION				ELECTRICAL CIRCUIT DIAGRAM CHAPTER 2			
THIS PRINT IS PROVIDED ON A RESTRICTED BASIS AND IS NOT TO BE USED IN ANY WAY DETRIMENTAL TO THE INTEREST OF INTERNATIONAL TRUCK AND ENGINE CORPORATION.				CIRCUIT NUMBER IDENTIFICATION AND COLOR (CONT)			
CIRCUIT NUMBER	COLOR	DESCRIPTION					
46	GY	POWER TAKE-OFF WARNING					
47	GY	SPEEDOMETER					
48	GY	TACHOMETER					
49	GY	DIFFERENTIAL LOCK WARNING					
50	YL	LIGHT SWITCH FEED					
51	YL	DIMMER SWITCH FEED					
52	YL	HEADLIGHT HI - BEAM					
53	YL	HEADLIGHT LO - BEAM					
54	BN	PARKING / MARKER LIGHTS					
55	OR	TURN SIGNAL - FEED					
56	OR	TURN SIGNAL LIGHTS - LEFT					
	YL	TURN SIGNAL LIGHTS - LEFT (BODY BUILDER CONNECTION)					
57	OR	TURN SIGNAL LIGHTS - RIGHT					
	LTGN	TURN SIGNAL LIGHTS - RIGHT (BODY BUILDER CONNECTION)					
58	BN	CLEARANCE / IDENTIFICATION LIGHTS					
59	GY	SOLENOID					
60	OR	HAZARD LIGHTS					
61	GY	AIR SUSPENSION					
62	DKBL	PANEL LIGHTS					
63	DKBL	COURTESY / DOME LIGHTS					
64	YL	FOG / DRIVING LIGHTS					
65	OR	CAB REAR FLOOD LIGHTS					
66	YL	DAYTIME RUNNING LIGHTS					
67	GY	OBSTACLE AVOIDANCE / REMOTE SENSOR					
68	BN	TAIL LIGHTS					
69	BN	LICENSE PLATE LIGHT					
	OR	STOP LIGHTS					
70	RD	STOP LIGHTS (BODY BUILDER CONNECTION)					
	OR	BACK-UP LIGHTS					
71	LTBL	BACK-UP LIGHTS (BODY BUILDER CONNECTION)					
72	OR	TRAILER AUXILIARY FEED - BATTERY					
73	LTGN	PWM					
74	LTGN	HEATER RECIRCULATION MOTOR					
75	LTGN	HEATER BLOWER MOTOR					
76	LTGN	AUXILIARY FAN					
77	LTGN	AIR CONDITIONER					
78	LTGN	MIRRORS - HEATED, MOTORIZED					
79	GY	SEAT BELTS					
80	BK	SLEEPER BOX RELAY - FEED					
81	LTGN	POWER DOOR LOCKS					
82	GY	WINDSHIELD WIPER					
83	LTGN	POWER WINDOWS					
84	LTGN	CIGAR LIGHTER					
85	GY	HORN					

CHK	DATE	CHANGE	REV	REFERENCE	DRAWN	NAME
RAW6	04DEC07	REVISED AND REDRAWN	B	61000T	U00K640	CIRCUIT DIAGRAM, 42/43/44/85/8600 & 73/74/7500
					RELEASE NO.	DATE
					59974G	12SEP06
					PART NO.	SHEET
					AE08056608	005

Figure 5 Circuit Number Identification and Color (Cont.)

2.6. CIRCUIT NUMBER IDENTIFICATION AND COLOR, P. 6

INTERNATIONAL TRUCK AND ENGINE CORPORATION				ELECTRICAL CIRCUIT DIAGRAM CHAPTER 2																																																																																																																															
THIS PRINT IS PROVIDED ON A RESTRICTED BASIS AND IS NOT TO BE USED IN ANY WAY DETRIMENTAL TO THE INTEREST OF INTERNATIONAL TRUCK AND ENGINE CORPORATION.				CIRCUIT NUMBER IDENTIFICATION AND COLOR (CONT)																																																																																																																															
<table border="1" style="width: 100%; border-collapse: collapse;"> <thead> <tr> <th style="width: 15%;">CIRCUIT NUMBER</th> <th style="width: 15%;">COLOR</th> <th style="width: 70%;">DESCRIPTION</th> </tr> </thead> <tbody> <tr><td>86</td><td>LTGN</td><td>RADIO - ENTERTAINMENT</td></tr> <tr><td>87</td><td>GY</td><td>WINDSHIELD WASHER</td></tr> <tr><td>88</td><td>LTGN</td><td>CLOCK / HOURMETER</td></tr> <tr><td>89</td><td>VT</td><td>AIR BAG</td></tr> <tr><td>90</td><td>GY</td><td>HYDRAULIC BRAKE PUMP</td></tr> <tr><td>91</td><td>VT</td><td>INTERCOMMUNICATIONS</td></tr> <tr><td>92</td><td>TN</td><td>TRANSMISSION CONTROLS - ELECTRONIC</td></tr> <tr><td>93</td><td>TN</td><td>AXLE SHIFT CONTROL</td></tr> <tr><td>94</td><td>GY</td><td>ANTILOCK BRAKE SYSTEM</td></tr> <tr><td>95</td><td>TN</td><td>EXHAUST EMISSION</td></tr> <tr><td>96</td><td>YL</td><td>SNOW PLOW LIGHTS / CRUISE CONTROLS</td></tr> <tr><td>97</td><td>VT</td><td>ENGINE CONTROLS - ELECTRONIC</td></tr> <tr><td>98</td><td>BK</td><td>DATALINK AND DIAGNOSTICS</td></tr> <tr><td>99</td><td>VT</td><td>ACCELERATOR POSITION SENSOR (APS)</td></tr> <tr><td>100</td><td>GY</td><td>AIR HORN (ELECTRIC SOLENOID ACTUATED)</td></tr> <tr><td>101</td><td>TN</td><td>BRAKE APPLICATION AIR</td></tr> <tr><td>102</td><td>YL</td><td>FLASH TO PASS</td></tr> <tr><td>103</td><td>LTGN</td><td>BODY BUILDER AUXILIARY FEED</td></tr> <tr><td>104</td><td>DKBL</td><td>REMOTE START / STOP</td></tr> <tr><td>105</td><td>LTGN</td><td>HEATED SEATS</td></tr> <tr><td>106</td><td>OR</td><td>HIGH VOLTAGE ALTERNATOR AC CHARGE</td></tr> <tr><td>107</td><td>GY</td><td>INSTRUMENT CLUSTER ELECTRONIC FEED (5V)</td></tr> <tr><td>108</td><td>GY</td><td>BRAKE PAD WEAR SENSOR</td></tr> <tr><td>109</td><td>GY</td><td>SLACK ADJUSTER</td></tr> <tr><td>110</td><td>GY</td><td>INSTRUMENT CLUSTER ELECTRONIC GROUND</td></tr> <tr><td>111</td><td>TN</td><td>FUEL FILTER RESTRICTION TRANSDUCERS</td></tr> <tr><td>112</td><td>GY</td><td>LIFT GATE</td></tr> </tbody> </table> <table border="1" style="width: 100%; border-collapse: collapse;"> <thead> <tr> <th style="width: 15%;">PREFIX</th> <th style="width: 85%;">LOCATION</th> </tr> </thead> <tbody> <tr><td>A</td><td>CAB - INSTRUMENT PANEL MODULE</td></tr> <tr><td>B</td><td>CAB - DRIVER CONTROL MODULE</td></tr> <tr><td>C</td><td>CAB - HEADER / CLEARANCE LIGHTS</td></tr> <tr><td>D</td><td>CAB - ROOF / REAR PANEL</td></tr> <tr><td>E</td><td>CAB - LEFT DOOR / DOORS</td></tr> <tr><td>F</td><td>CAB - RIGHT DOOR / DOORS</td></tr> <tr><td>H</td><td>CAB - SLEEPER</td></tr> <tr><td>J</td><td>CAB - DASH (OUTSIDE)</td></tr> <tr><td>K</td><td>ENGINE / RADIATOR</td></tr> <tr><td>L</td><td>TRANSMISSION</td></tr> <tr><td>M</td><td>CHASSIS / FRONT END (CAB DASH PANEL FORWARD)</td></tr> <tr><td>N</td><td>CHASSIS - CENTER SECTION (CAB DASH PANEL TO CAB REAR CROSS MEMBER)</td></tr> <tr><td>P</td><td>CHASSIS - WHEEL BASE SECTION</td></tr> <tr><td>R</td><td>CHASSIS - SUSPENSION / REAR AXLE / AXLES</td></tr> <tr><td>S</td><td>CHASSIS - AF SECTION / STOP / TAIL / TURN LIGHTS</td></tr> <tr><td>T</td><td>TRAVEL DOORS</td></tr> <tr><td>U</td><td>HOOD MTD HEADLIGHTS / MARKER LIGHTS</td></tr> <tr><td>V</td><td>SLEEPER ROOF / BACK PANEL WIRING</td></tr> <tr><td>W</td><td>WARDROBE CABINET WIRING</td></tr> </tbody> </table>								CIRCUIT NUMBER	COLOR	DESCRIPTION	86	LTGN	RADIO - ENTERTAINMENT	87	GY	WINDSHIELD WASHER	88	LTGN	CLOCK / HOURMETER	89	VT	AIR BAG	90	GY	HYDRAULIC BRAKE PUMP	91	VT	INTERCOMMUNICATIONS	92	TN	TRANSMISSION CONTROLS - ELECTRONIC	93	TN	AXLE SHIFT CONTROL	94	GY	ANTILOCK BRAKE SYSTEM	95	TN	EXHAUST EMISSION	96	YL	SNOW PLOW LIGHTS / CRUISE CONTROLS	97	VT	ENGINE CONTROLS - ELECTRONIC	98	BK	DATALINK AND DIAGNOSTICS	99	VT	ACCELERATOR POSITION SENSOR (APS)	100	GY	AIR HORN (ELECTRIC SOLENOID ACTUATED)	101	TN	BRAKE APPLICATION AIR	102	YL	FLASH TO PASS	103	LTGN	BODY BUILDER AUXILIARY FEED	104	DKBL	REMOTE START / STOP	105	LTGN	HEATED SEATS	106	OR	HIGH VOLTAGE ALTERNATOR AC CHARGE	107	GY	INSTRUMENT CLUSTER ELECTRONIC FEED (5V)	108	GY	BRAKE PAD WEAR SENSOR	109	GY	SLACK ADJUSTER	110	GY	INSTRUMENT CLUSTER ELECTRONIC GROUND	111	TN	FUEL FILTER RESTRICTION TRANSDUCERS	112	GY	LIFT GATE	PREFIX	LOCATION	A	CAB - INSTRUMENT PANEL MODULE	B	CAB - DRIVER CONTROL MODULE	C	CAB - HEADER / CLEARANCE LIGHTS	D	CAB - ROOF / REAR PANEL	E	CAB - LEFT DOOR / DOORS	F	CAB - RIGHT DOOR / DOORS	H	CAB - SLEEPER	J	CAB - DASH (OUTSIDE)	K	ENGINE / RADIATOR	L	TRANSMISSION	M	CHASSIS / FRONT END (CAB DASH PANEL FORWARD)	N	CHASSIS - CENTER SECTION (CAB DASH PANEL TO CAB REAR CROSS MEMBER)	P	CHASSIS - WHEEL BASE SECTION	R	CHASSIS - SUSPENSION / REAR AXLE / AXLES	S	CHASSIS - AF SECTION / STOP / TAIL / TURN LIGHTS	T	TRAVEL DOORS	U	HOOD MTD HEADLIGHTS / MARKER LIGHTS	V	SLEEPER ROOF / BACK PANEL WIRING	W	WARDROBE CABINET WIRING
CIRCUIT NUMBER	COLOR	DESCRIPTION																																																																																																																																	
86	LTGN	RADIO - ENTERTAINMENT																																																																																																																																	
87	GY	WINDSHIELD WASHER																																																																																																																																	
88	LTGN	CLOCK / HOURMETER																																																																																																																																	
89	VT	AIR BAG																																																																																																																																	
90	GY	HYDRAULIC BRAKE PUMP																																																																																																																																	
91	VT	INTERCOMMUNICATIONS																																																																																																																																	
92	TN	TRANSMISSION CONTROLS - ELECTRONIC																																																																																																																																	
93	TN	AXLE SHIFT CONTROL																																																																																																																																	
94	GY	ANTILOCK BRAKE SYSTEM																																																																																																																																	
95	TN	EXHAUST EMISSION																																																																																																																																	
96	YL	SNOW PLOW LIGHTS / CRUISE CONTROLS																																																																																																																																	
97	VT	ENGINE CONTROLS - ELECTRONIC																																																																																																																																	
98	BK	DATALINK AND DIAGNOSTICS																																																																																																																																	
99	VT	ACCELERATOR POSITION SENSOR (APS)																																																																																																																																	
100	GY	AIR HORN (ELECTRIC SOLENOID ACTUATED)																																																																																																																																	
101	TN	BRAKE APPLICATION AIR																																																																																																																																	
102	YL	FLASH TO PASS																																																																																																																																	
103	LTGN	BODY BUILDER AUXILIARY FEED																																																																																																																																	
104	DKBL	REMOTE START / STOP																																																																																																																																	
105	LTGN	HEATED SEATS																																																																																																																																	
106	OR	HIGH VOLTAGE ALTERNATOR AC CHARGE																																																																																																																																	
107	GY	INSTRUMENT CLUSTER ELECTRONIC FEED (5V)																																																																																																																																	
108	GY	BRAKE PAD WEAR SENSOR																																																																																																																																	
109	GY	SLACK ADJUSTER																																																																																																																																	
110	GY	INSTRUMENT CLUSTER ELECTRONIC GROUND																																																																																																																																	
111	TN	FUEL FILTER RESTRICTION TRANSDUCERS																																																																																																																																	
112	GY	LIFT GATE																																																																																																																																	
PREFIX	LOCATION																																																																																																																																		
A	CAB - INSTRUMENT PANEL MODULE																																																																																																																																		
B	CAB - DRIVER CONTROL MODULE																																																																																																																																		
C	CAB - HEADER / CLEARANCE LIGHTS																																																																																																																																		
D	CAB - ROOF / REAR PANEL																																																																																																																																		
E	CAB - LEFT DOOR / DOORS																																																																																																																																		
F	CAB - RIGHT DOOR / DOORS																																																																																																																																		
H	CAB - SLEEPER																																																																																																																																		
J	CAB - DASH (OUTSIDE)																																																																																																																																		
K	ENGINE / RADIATOR																																																																																																																																		
L	TRANSMISSION																																																																																																																																		
M	CHASSIS / FRONT END (CAB DASH PANEL FORWARD)																																																																																																																																		
N	CHASSIS - CENTER SECTION (CAB DASH PANEL TO CAB REAR CROSS MEMBER)																																																																																																																																		
P	CHASSIS - WHEEL BASE SECTION																																																																																																																																		
R	CHASSIS - SUSPENSION / REAR AXLE / AXLES																																																																																																																																		
S	CHASSIS - AF SECTION / STOP / TAIL / TURN LIGHTS																																																																																																																																		
T	TRAVEL DOORS																																																																																																																																		
U	HOOD MTD HEADLIGHTS / MARKER LIGHTS																																																																																																																																		
V	SLEEPER ROOF / BACK PANEL WIRING																																																																																																																																		
W	WARDROBE CABINET WIRING																																																																																																																																		
CHK	DATE	CHANGE	REV	REFERENCE	DRAWN	NAME																																																																																																																													
RAW6	04DEC07	REVISED AND REDRAWN	B	61000T	U00K640	CIRCUIT DIAGRAM, 42/43/44/85/8600 & 73/74/7500																																																																																																																													
					RELEASE NO.	DATE	PART NO.																																																																																																																												
					59974G	12SEP06	AE08056608																																																																																																																												
							SHEET 006																																																																																																																												

Figure 6 Circuit Number Identification and Color (Cont.)

2.7. LAMP BULB CHART, P. 7

INTERNATIONAL TRUCK AND ENGINE CORPORATION					ELECTRICAL CIRCUIT DIAGRAM					CHAPTER 2									
THIS PRINT IS PROVIDED ON A RESTRICTED BASIS AND IS NOT TO BE USED IN ANY WAY DETRIMENTAL TO THE INTEREST OF INTERNATIONAL TRUCK AND ENGINE CORPORATION.										LAMP BULB CHART									
BULB APPLICATION										CANDLEPOWER OR WATT					BULB TRADE NUMBER				
BACK - UP LIGHTS										32 CP					GE1156				
CLEARANCE & IDENTIFICATION										3 CP					GE193				
COURTESY LIGHT										3CP					GE168				
FOG LIGHTS										55 WATTS					VH550				
LOW BEAMS										65 WATTS					GE9007				
HIGH BEAMS										65 WATTS					GE9007				
MAP LIGHT										3 CP					1816				
SIDE MARKER															2548				
STOP & TURN / TAIL & LICENSE PLATE										32/3 CP					1157				
TURN SIGNAL / MARKER (FENDER)															3157				
TURN SIGNAL & MARKER LIGHT															2356				
WORK (TRAILER HOOK - UP)										35 WATTS					4411				
CHK	DATE	CHANGE	REV	REFERENCE	DRAWN	NAME													
					U00K640	42/43/44/85/8600 & 73/74/7500 CIRC DIAGRAMS													
					RELEASE NO.	DATE	PART NO.	SHEET											
					59974G	20APR06	AF08-56608	07											

Figure 7 Lamp Bulb Chart

2.8. RELAY FUNCTION AND WIRING GUIDE, P. 8

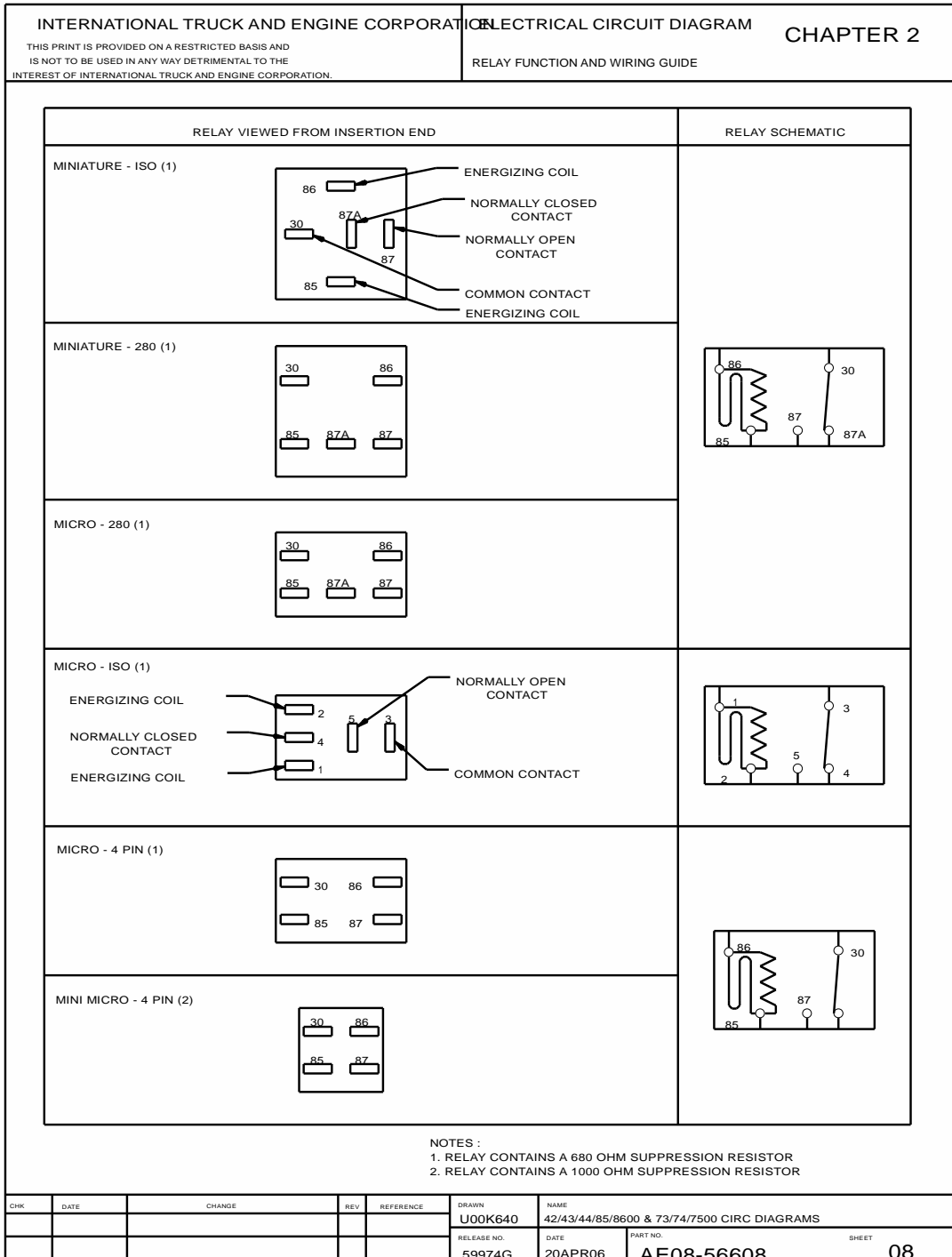


Figure 8 Relay Function and Wiring Guide

2.9. SCHEMATIC SYMBOL CHART, P. 9

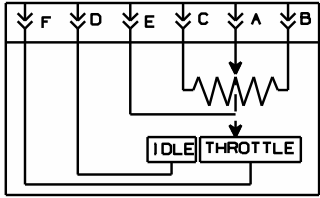
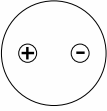
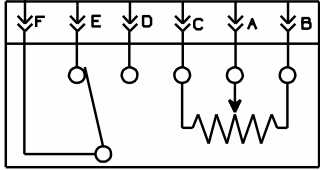
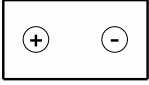
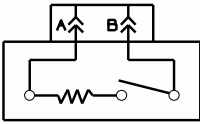
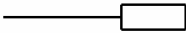
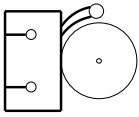

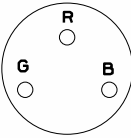
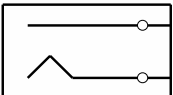


INTERNATIONAL TRUCK AND ENGINE CORPORATION THIS PRINT IS PROVIDED ON A RESTRICTED BASIS AND IS NOT TO BE USED IN ANY WAY DETRIMENTAL TO THE INTEREST OF INTERNATIONAL TRUCK AND ENGINE CORPORATION.					ELECTRICAL CIRCUIT DIAGRAM CHAPTER 2 SCHEMATIC SYMBOL CHART		
SYMBOL		DESCRIPTION		SYMBOL		DESCRIPTION	
		ACCEL PEDAL POSN SENSOR				AMMETER	
		ACCEL PEDAL POSN SENSOR				BATTERY	
		AIR DRYER				BLUNT CUT CIRCUIT	
		ALARM				BUSBAR	
		ALTERNATOR				CIGAR LIGHTER	
				TYPE 1    TYPE 2 OR 3		CIRCUIT BREAKER	
							
						DIODE	
CHK	DATE	CHANGE	REV	REFERENCE	DRAWN	NAME	
CNA	BMAY07	ADDED SYMBOL FOR	A	60782A	U00K640	42/43/44/85/8600 & 73/74/7500 CIRC DIAGRAMS	
		ACCEL PEDAL POSN SNSR			RELEASE NO.	DATE	PART NO.
					59974G	12SEP06	AE08-56608
							SHEET 09

Figure 9 Schematic Symbol Chart

2.10. SCHEMATIC SYMBOL CHART, P. 10


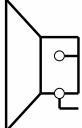
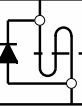
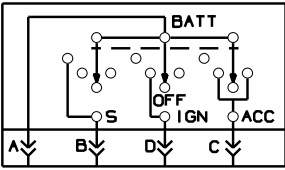
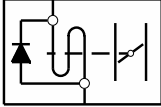
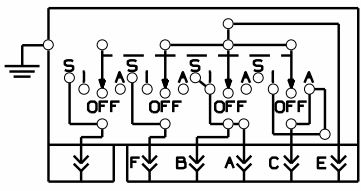

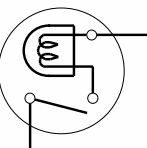

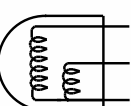

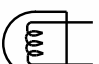
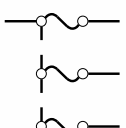
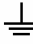
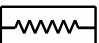
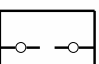
INTERNATIONAL TRUCK AND ENGINE CORPORATION <small>THIS PRINT IS PROVIDED ON A RESTRICTED BASIS AND IS NOT TO BE USED IN ANY WAY DETRIMENTAL TO THE INTEREST OF INTERNATIONAL TRUCK AND ENGINE CORPORATION.</small>				ELECTRICAL CIRCUIT DIAGRAM      CHAPTER 2 SCHEMATIC SYMBOL CHART (CONT)				
	SYMBOL	DESCRIPTION			SYMBOL	DESCRIPTION		
		DIODE, LIGHT EMITTING				KEY SWITCH		
		FAN SOLENOID				KEY SWITCH, COMPLEX		
		FEMALE TERMINAL				LIGHT W/ SWITCH		
		FUSE				LIGHT, DOUBLE FILAMENT		
		FUSIBLE LINK				LIGHT, SINGLE FILAMENT		
		FUSES W/ BUSBAR						
		GROUND N/ STUD						
		HEATER						
		HOLDER, FUSE W/ BUSBAR						
CHK	DATE	CHANGE	REV	REFERENCE	DRAWN	NAME	42/43/44/85/8600 & 73/74/7500 CIRC DIAGRAMS	
CNA	8MAY07	REVISED & REDRAWN	A	60782A	U00K640	AE08-56608	PART NO.	SHEET
					59974G	12SEP06		10

Figure 10 Schematic Symbol Chart (Cont.)

2.11. SCHEMATIC SYMBOL CHART, P. 11

INTERNATIONAL TRUCK AND ENGINE CORPORATION <small>THIS PRINT IS PROVIDED ON A RESTRICTED BASIS AND IS NOT TO BE USED IN ANY WAY DETRIMENTAL TO THE INTEREST OF INTERNATIONAL TRUCK AND ENGINE CORPORATION.</small>				ELECTRICAL CIRCUIT DIAGRAM      CHAPTER 2 SCHEMATIC SYMBOL CHART (CONT)		
SYMBOL	DESCRIPTION	SYMBOL	DESCRIPTION			
	MALE TERMINAL		RESISTOR			
	MOTOR		SENDER - FUEL, OIL, TEMP, WATER			
	PASS THRU CONNECTION		SENSOR, PRESSURE, ABS 6			
	PRESSURE SWITCH		SENSOR, MAGNETIC			
	RELAY, FIVE TERMINAL		SENSOR, YAW			
	RELAY, FOUR TERMINAL		SOLENOID			
	RELAY, LATCHING		SOLENOID W/ DIODE			
CHK	DATE	CHANGE	REV	REFERENCE	DRAWN	NAME
CNA	BMAY07	REVISED & REDRAWN	A	60782A	U00K640	42/43/44/85/8600 & 73/74/7500 CIRC DIAGRAMS
					RELEASE NO.	DATE
					59974G	20APR06
					PART NO.	SHEET
					AE08-56608	11

Figure 11 Schematic Symbol Chart (Cont.)

2.12. SCHEMATIC SYMBOL CHART, P.12

INTERNATIONAL TRUCK AND ENGINE CORPORATION				ELECTRICAL CIRCUIT DIAGRAM CHAPTER 2			
THIS PRINT IS PROVIDED ON A RESTRICTED BASIS AND IS NOT TO BE USED IN ANY WAY DETRIMENTAL TO THE INTEREST OF INTERNATIONAL TRUCK AND ENGINE CORPORATION.				SCHEMATIC SYMBOL CHART (CONT)			
SYMBOL		DESCRIPTION		SYMBOL		DESCRIPTION	
		SPEAKER				SWITCH, PUSH BUTTON	
		SPLICE				TERMINATING RESISTOR	
		STUD				THERMISTOR	
		START MOTOR W/ TOCP				THERMOSTAT	
		SWITCH, MECHANICAL (NORMALLY OPEN)				VALVE, ETHER BOTTLE	
		SWITCH, MECHANICAL (NORMALLY CLOSED)				VALVE, MODULATOR	
CHK	DATE	CHANGE	REV	REFERENCE	DRAWN	NAME	
RAW6	04DEC07	REVISED START MOTOR	B	61000T	U00K640	CIRCUIT DIAGRAM, 42/43/44/85/8600 & 73/74/7500	
	SYMBOL				RELEASE NO.	DATE	PART NO.
					59974G	20APR06	AE08056608
						SHEET	012

Figure 12 Schematic Symbol Chart (Cont.)



# 12 VOLT POWER DISTRIBUTION, GROUNDS, DATA BUS AND ELECTRICAL SYSTEM CONTROLLER (CHAPTER 3)

## 3.1. BATTERY FEED, DUAL, P. 1

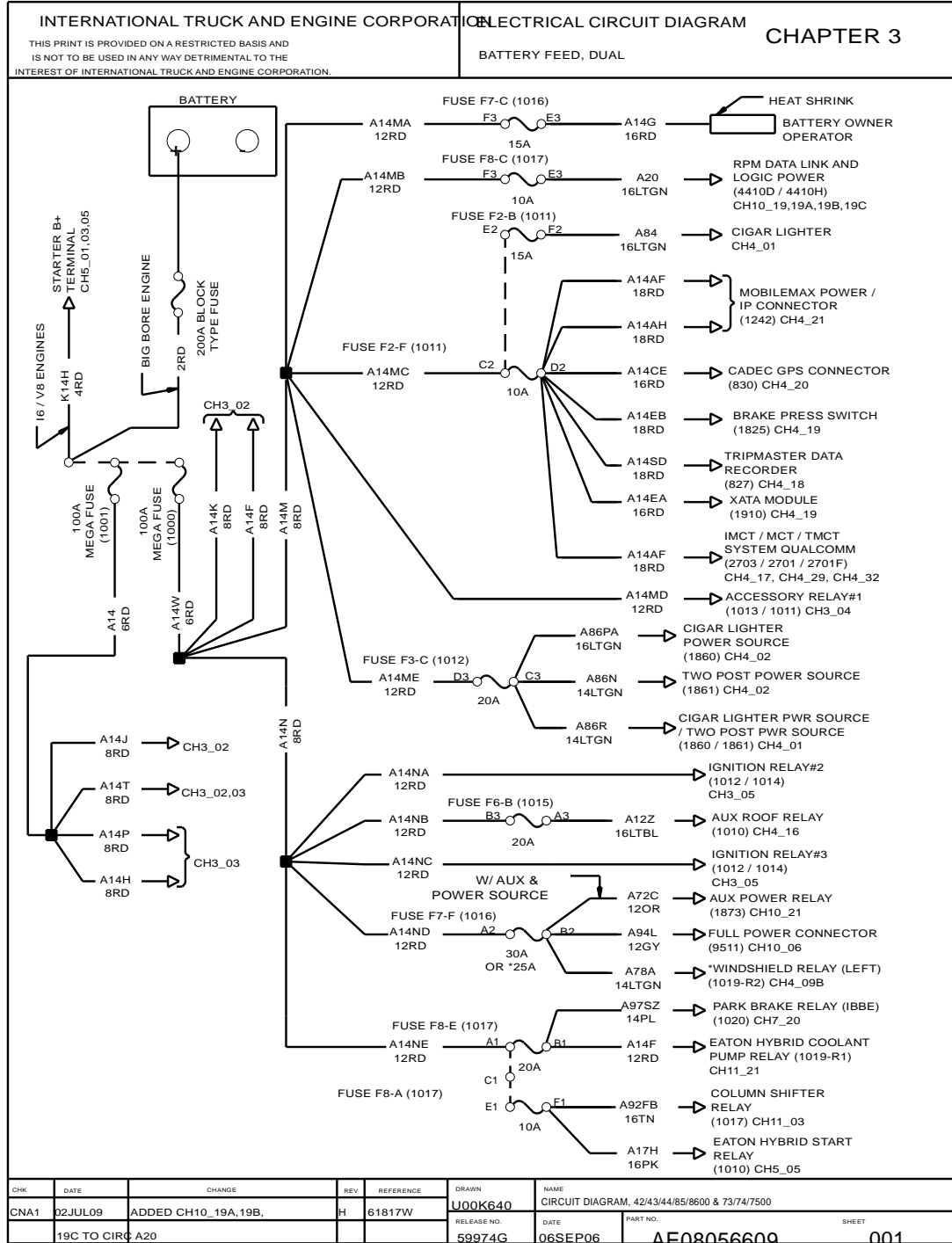


Figure 13 Battery Feed, Dual

3.2. BATTERY FEED, DUAL (CONT.), P. 2

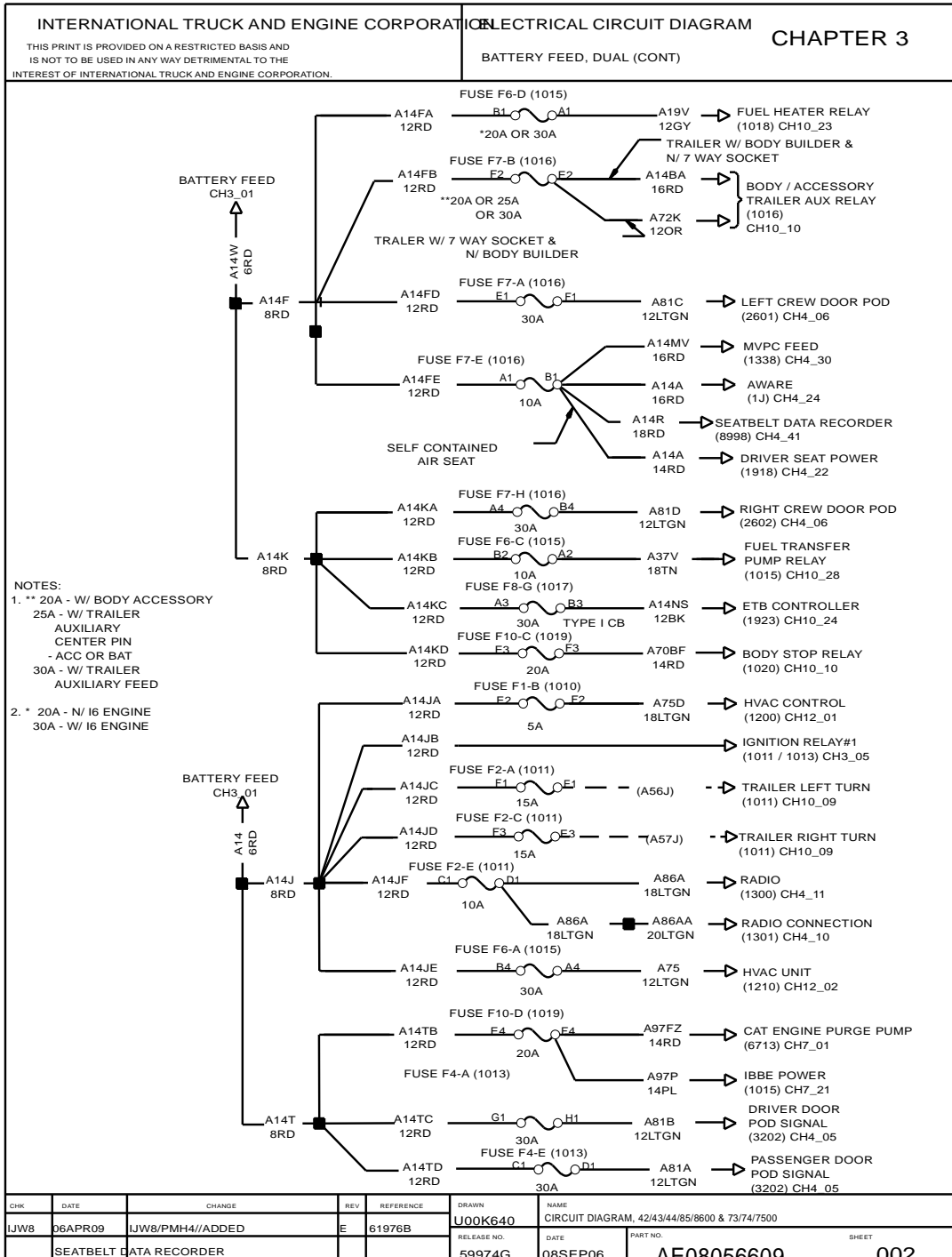


Figure 14 Battery Feed, Dual (Cont.)

3.3. BATTERY FEED, DUAL (CONT.), P. 3

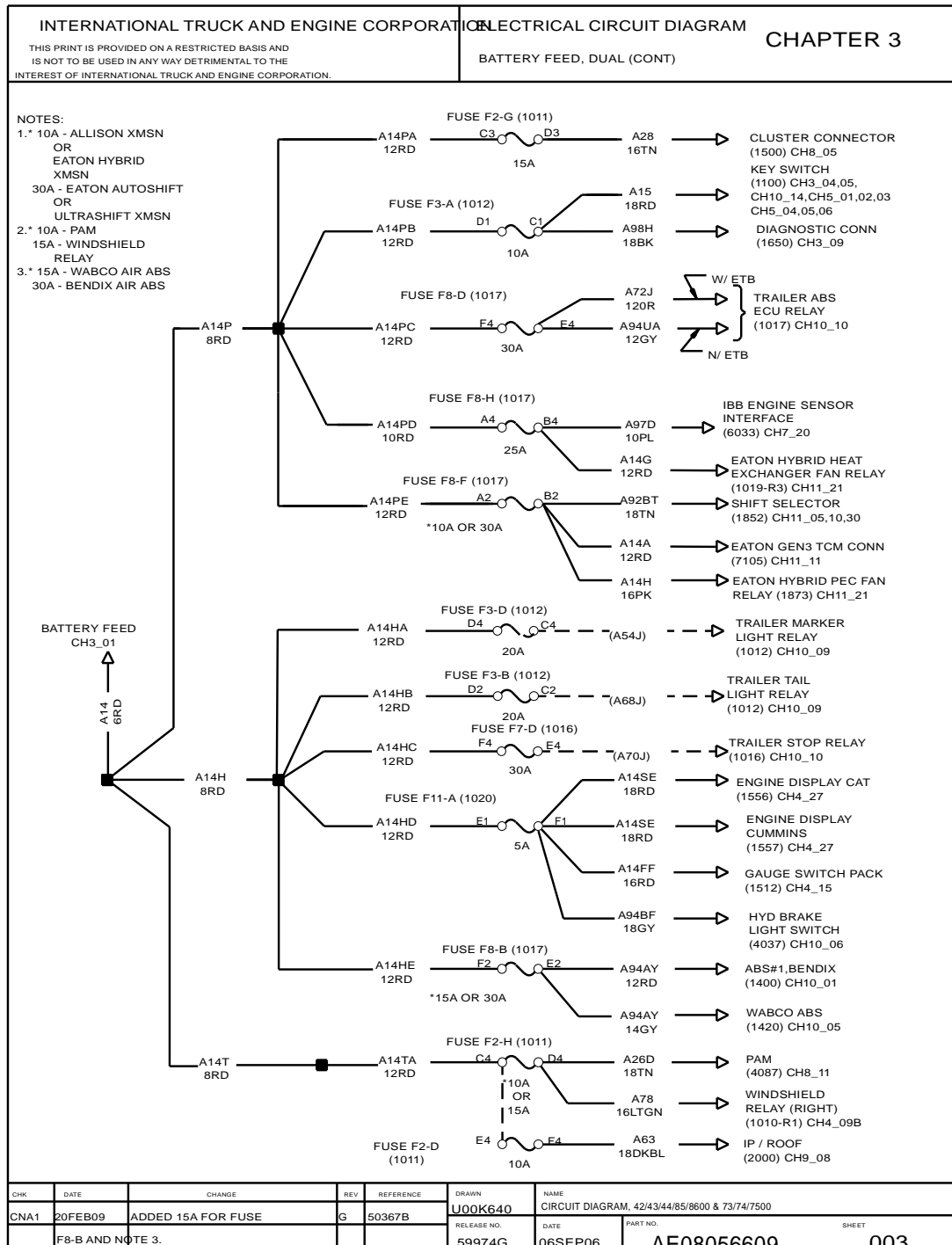


Figure 15 Battery Feed, Dual (Cont.)

3.4. ACCESSORY FEED, P. 4

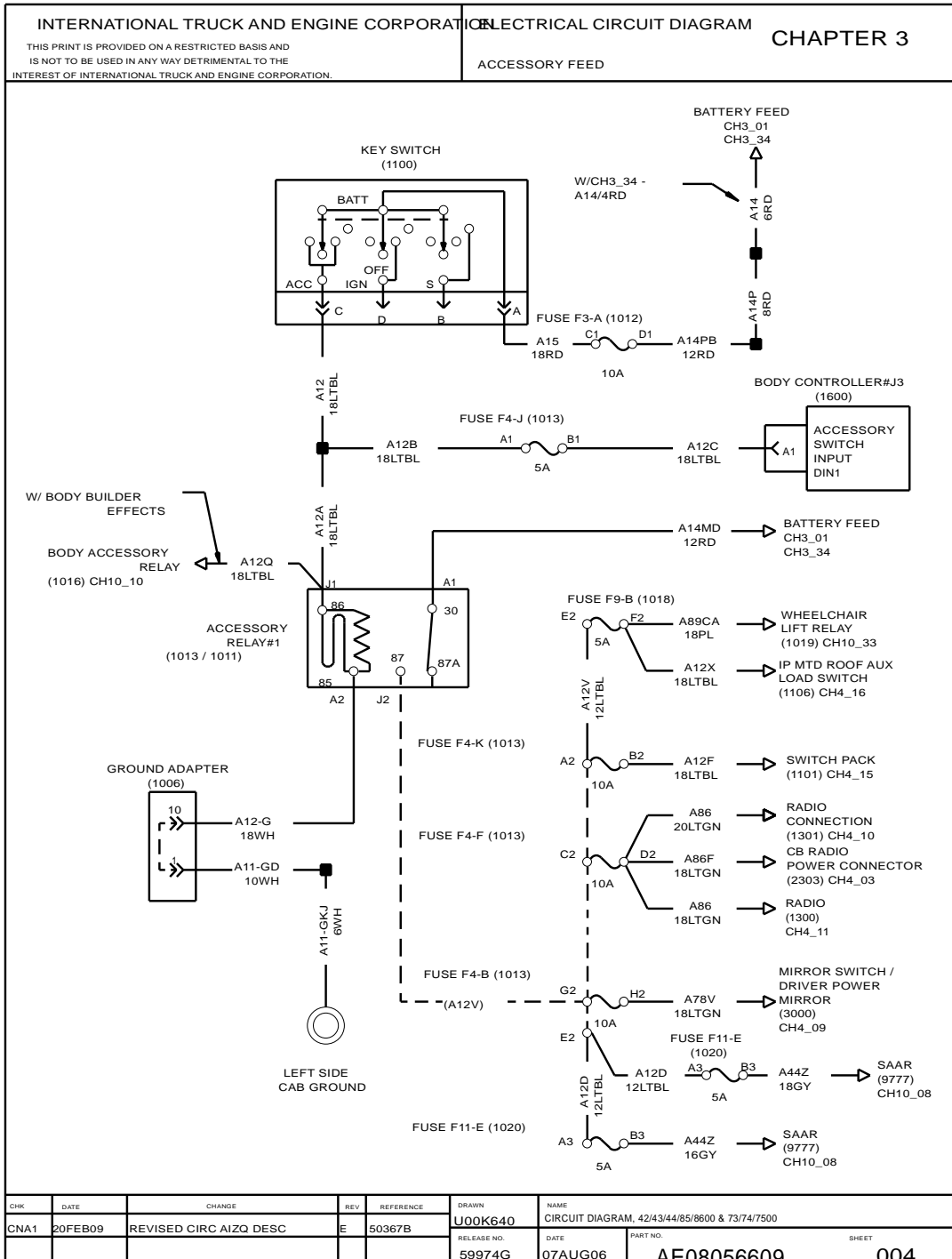


Figure 16 Accessory Feed

3.5. IGNITION FEED – STANDARD, THEFT DETERRENT, REMOTE START / STOP, P. 5

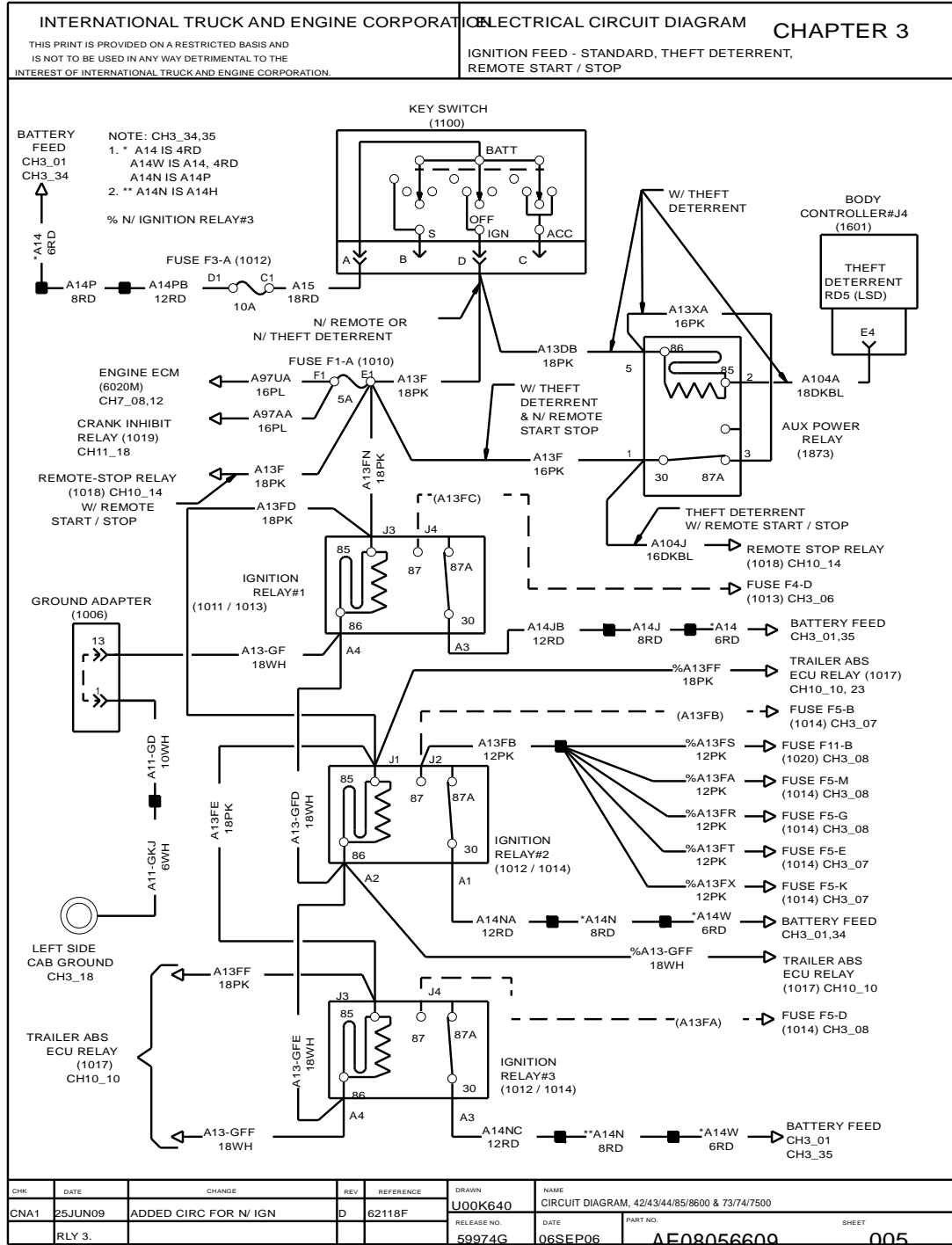


Figure 17 Ignition Feed – Standard, Theft Deterrent, Remote Start / Stop

3.6. IGNITION FEED RELAY 1, P. 6

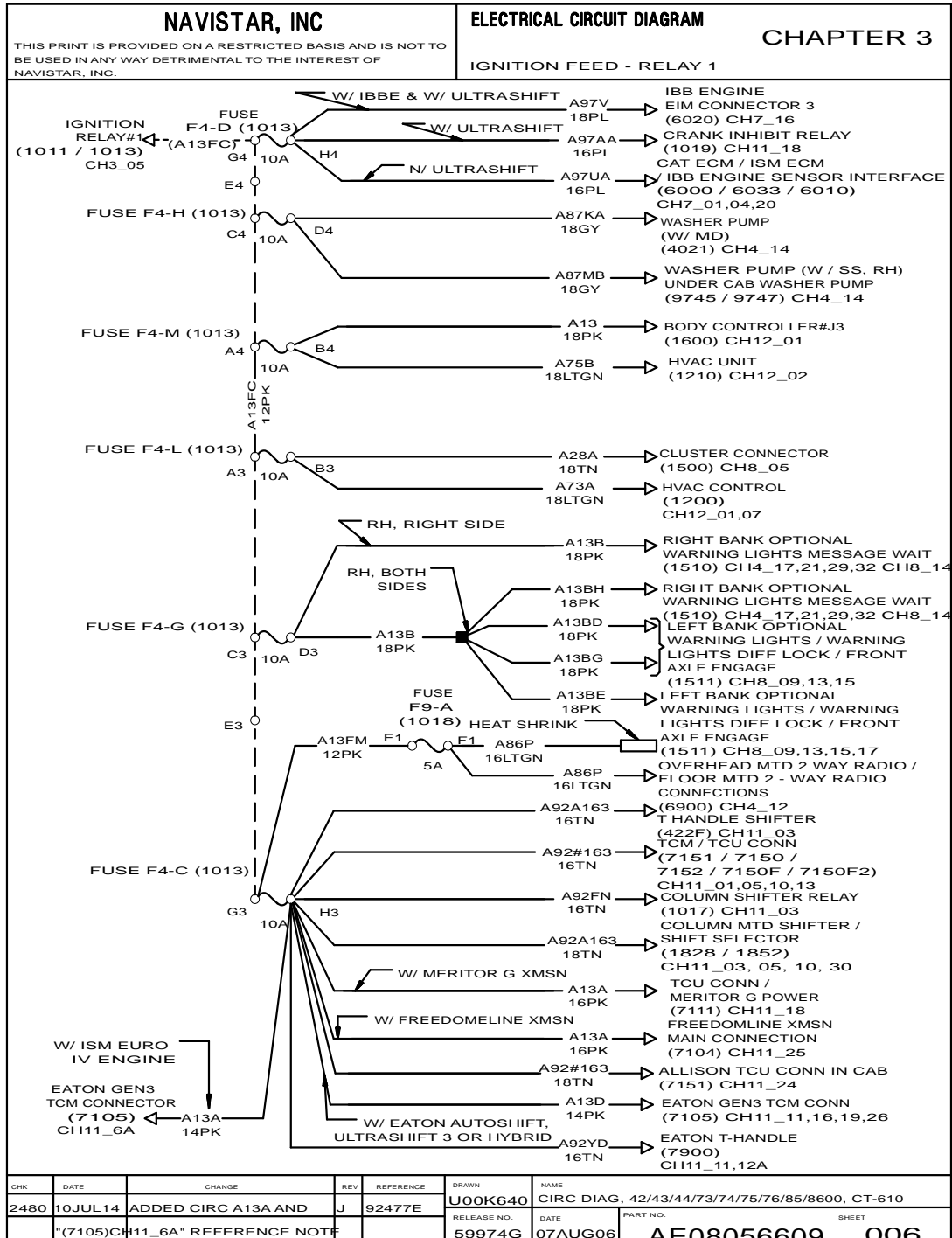


Figure 18 Ignition Feed Relay 1

3.7. IGNITION FEED RELAY 2, P. 7

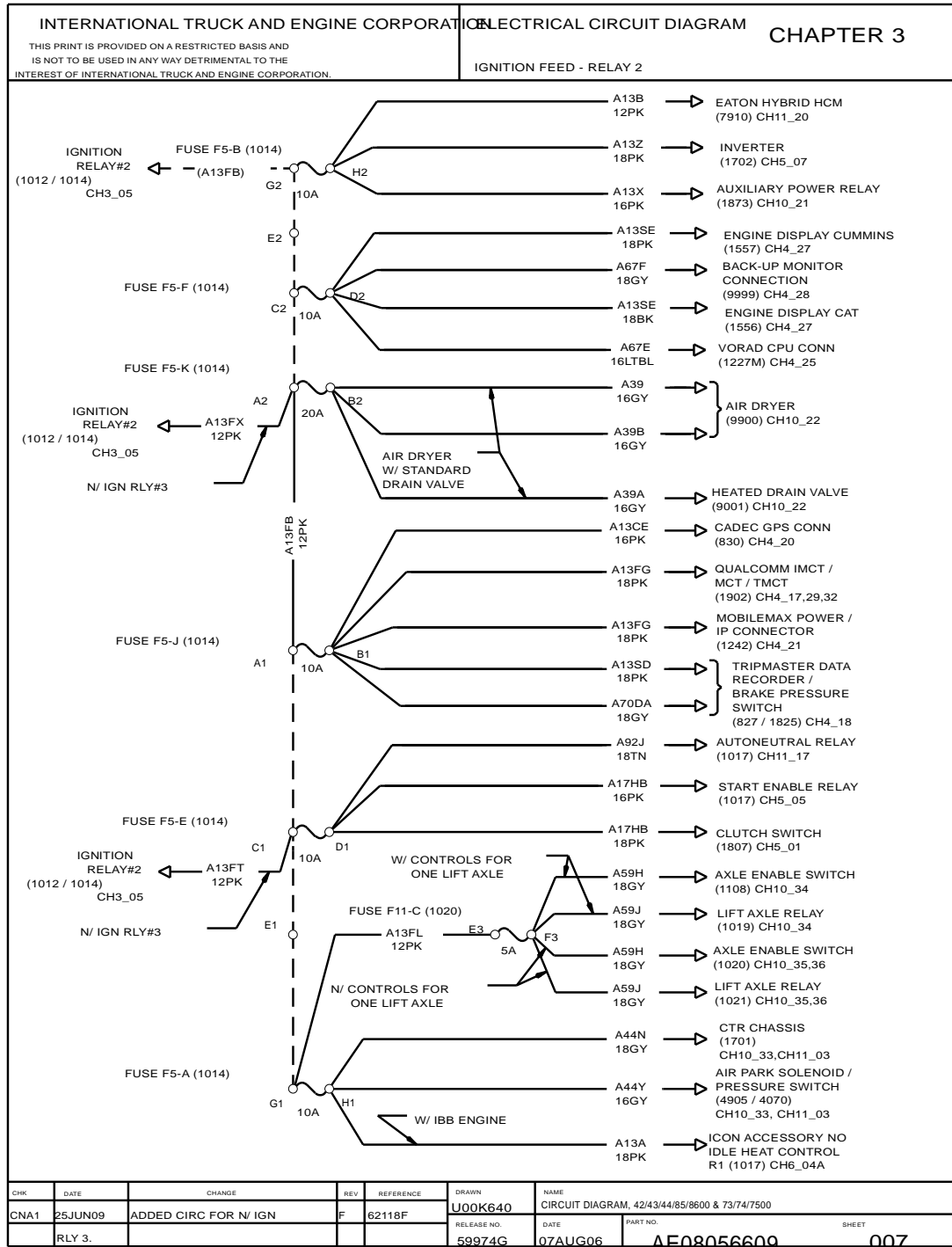


Figure 19 Ignition Feed Relay 2

3.8. IGNITION FEED RELAY 3, P. 8

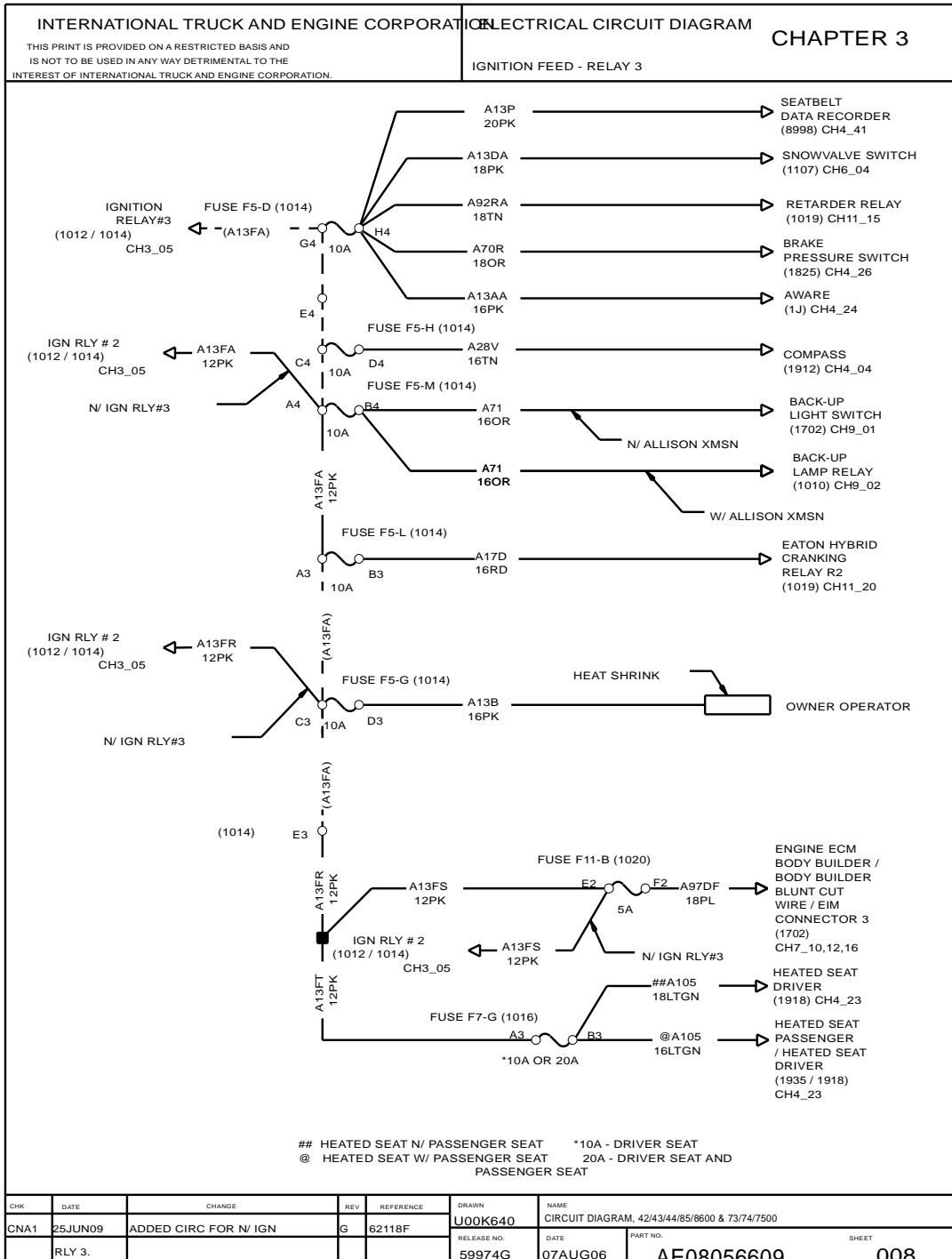


Figure 20 Ignition Feed Relay 3



3.9. J1708 DATA LINK – PUBLIC EFFECTS, P. 9

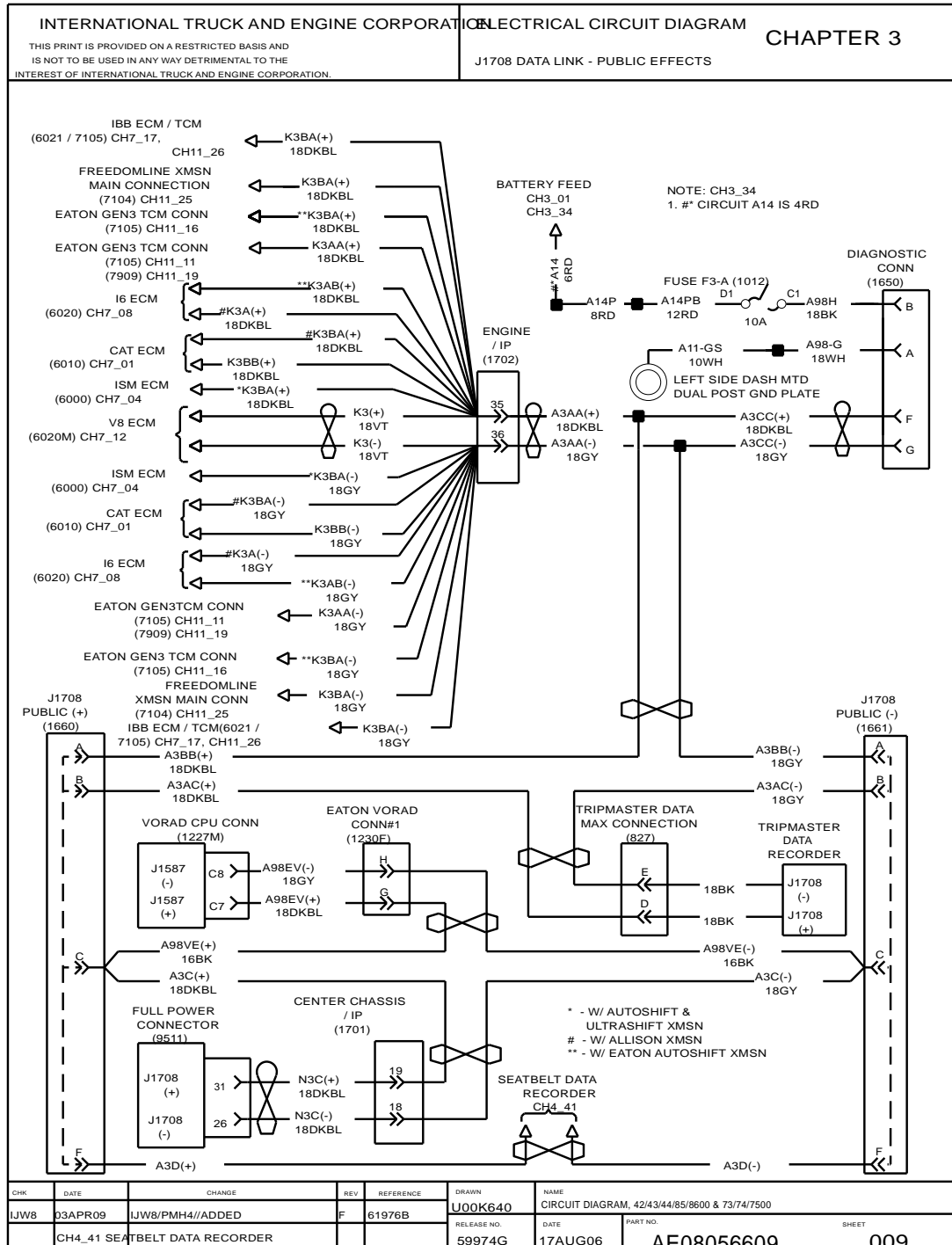


Figure 21 J1708 Data Link – Public Effects

3.10. J1708 DATA LINK – PUBLIC EFFECTS (CONT.), P. 10

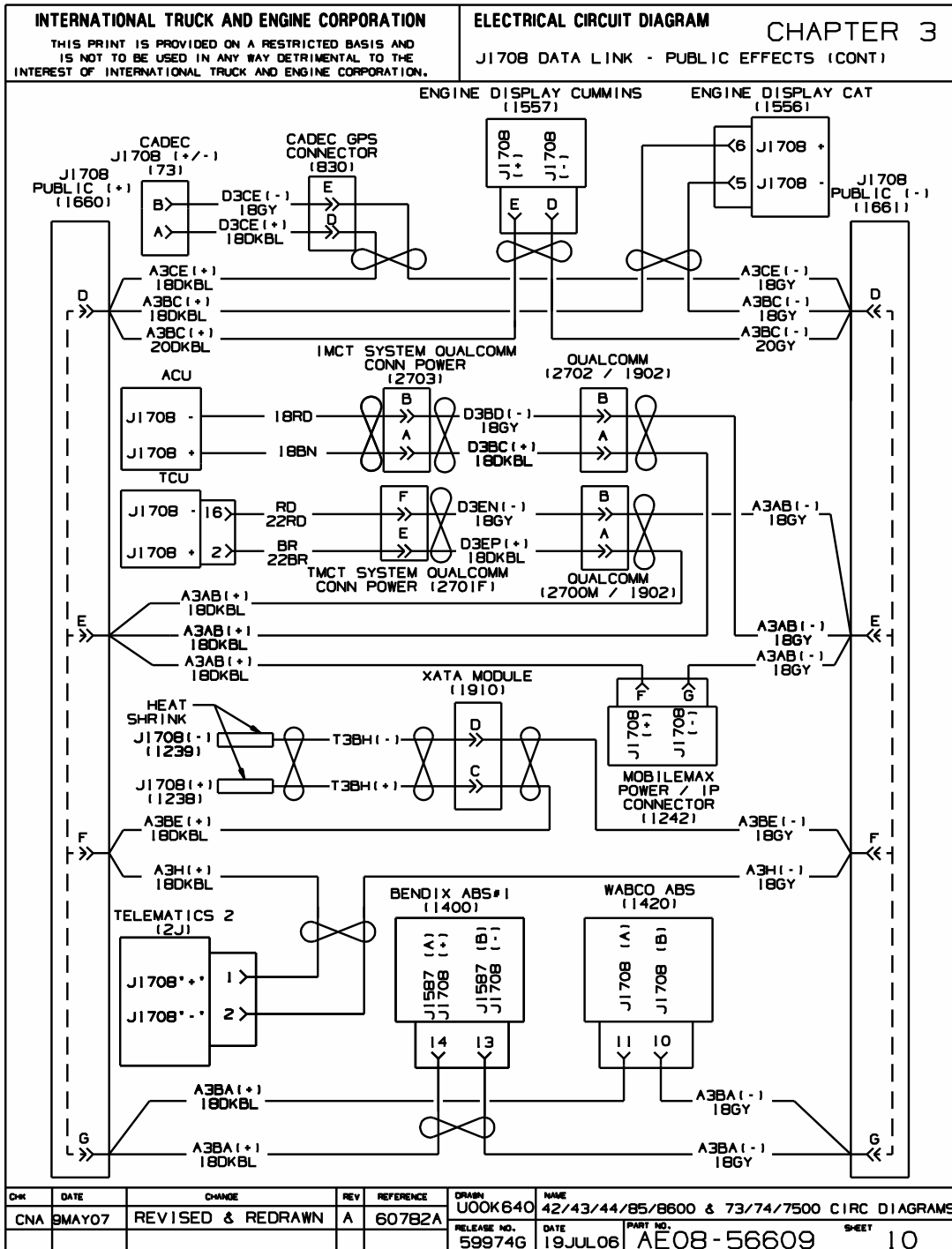


Figure 22 J1708 Data Link – Public Effects (Cont.)

3.11. J1708 DATA LINK – PRIVATE WITH POWER WINDOW AND LOCK, P. 11

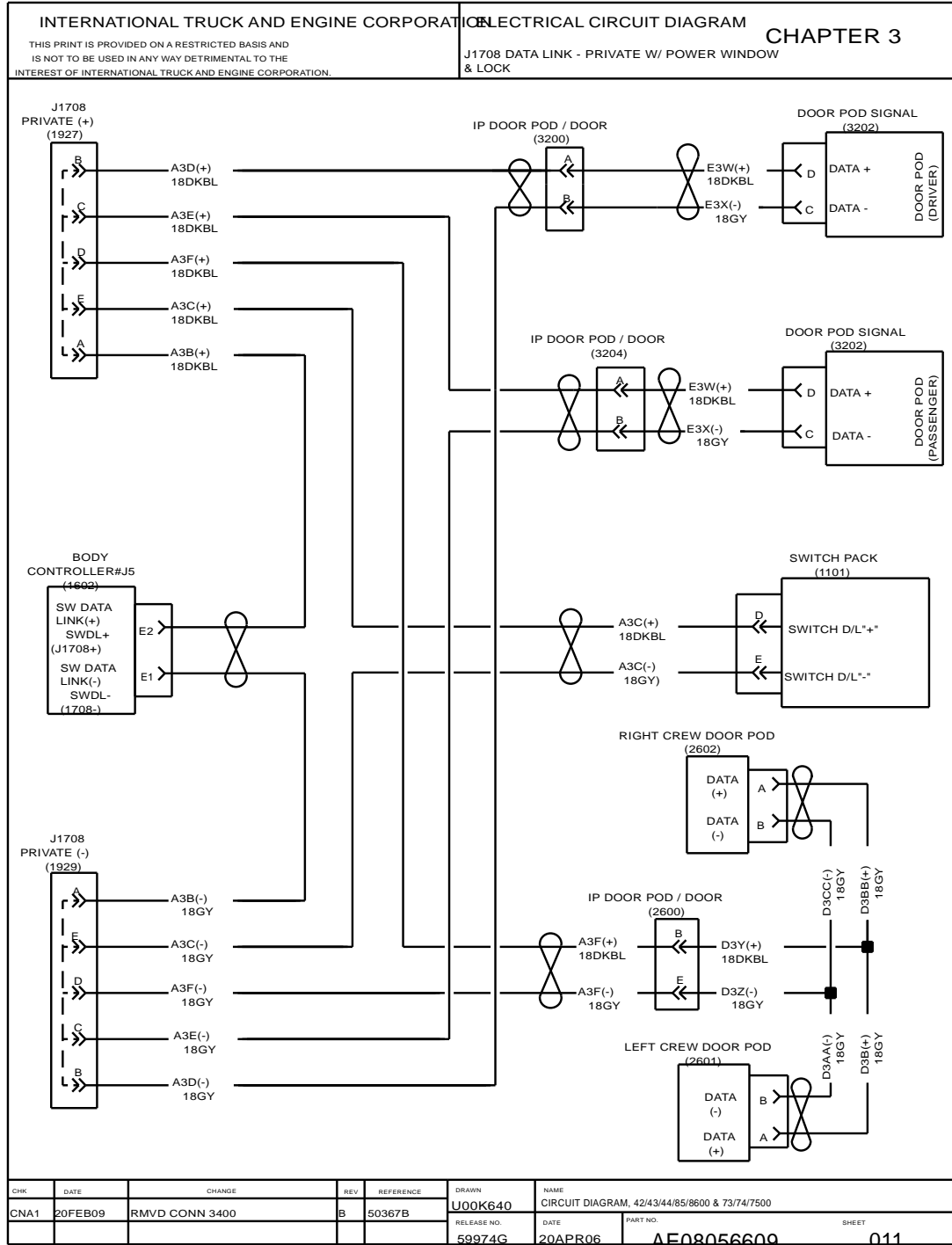


Figure 23 J1708 Data Link – Private with Power Window and Lock

3.12. J1939 DATA LINK, P. 12

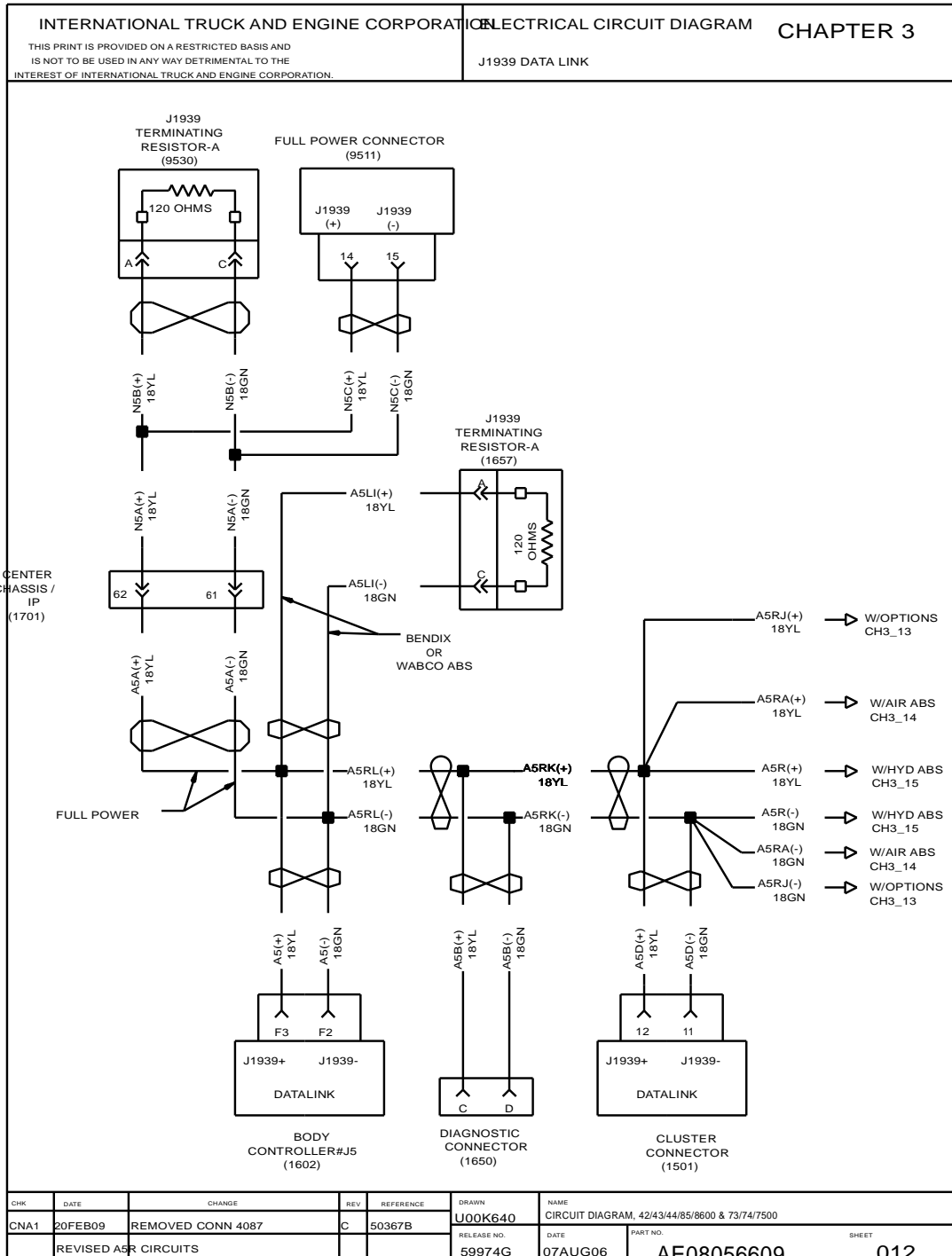


Figure 24 J1939 Data Link

3.13. J1939 DATA LINK WITH OPTIONS, P. 13

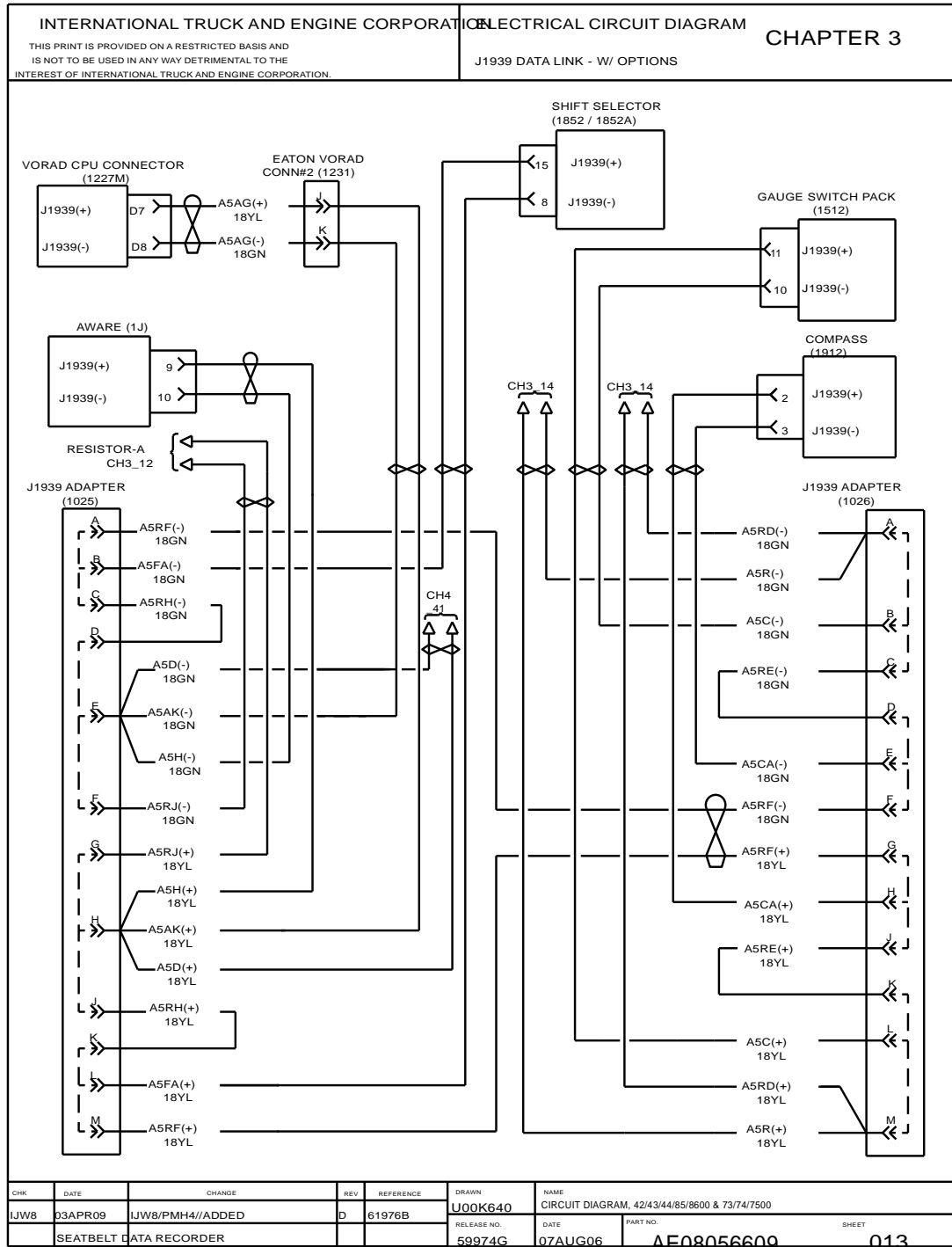


Figure 25 J1939 Data Link with Options

3.14. J1939 DATA LINK WITH OPTIONS (CONT.), P. 14

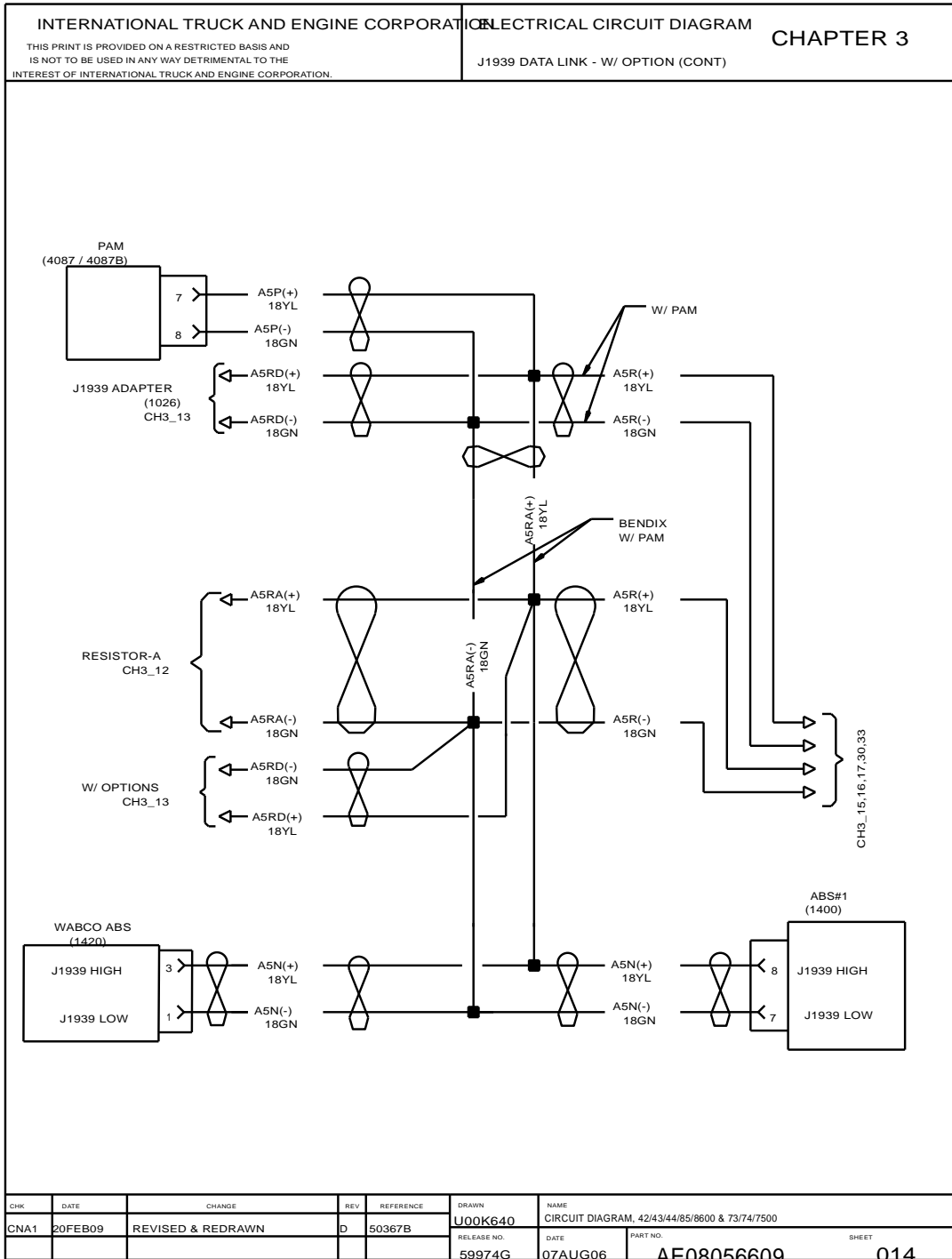


Figure 26 J1939 Data Link with Options (Cont.)

3.15. J1939 DATA LINK – ISM 2007 / EURO IV ENGINE, P. 15

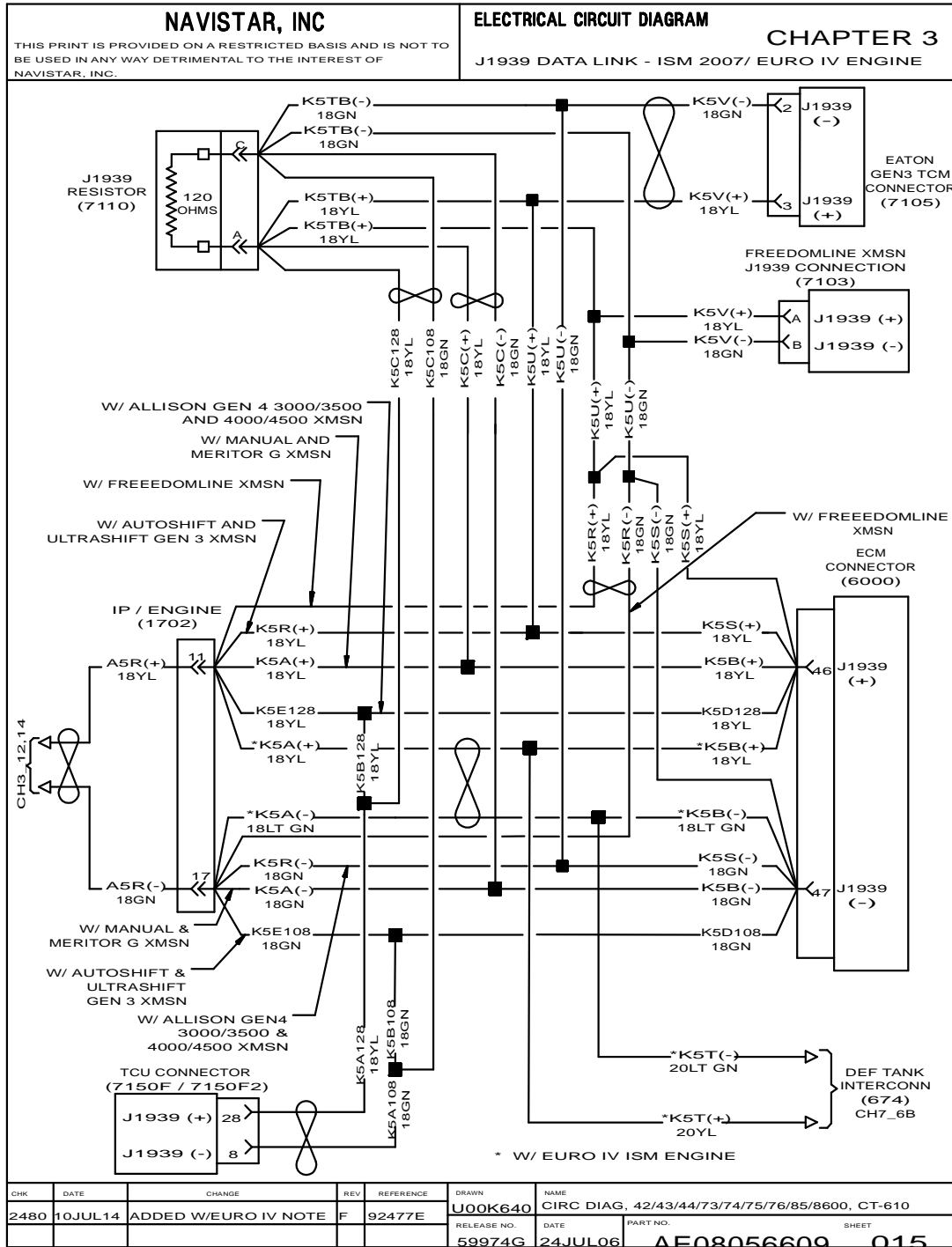


Figure 27 J1939 Data Link – ISM 2007 / Euro IV Engine

3.16. J1939 DATA LINK – I6 2007 ENGINE, P. 16

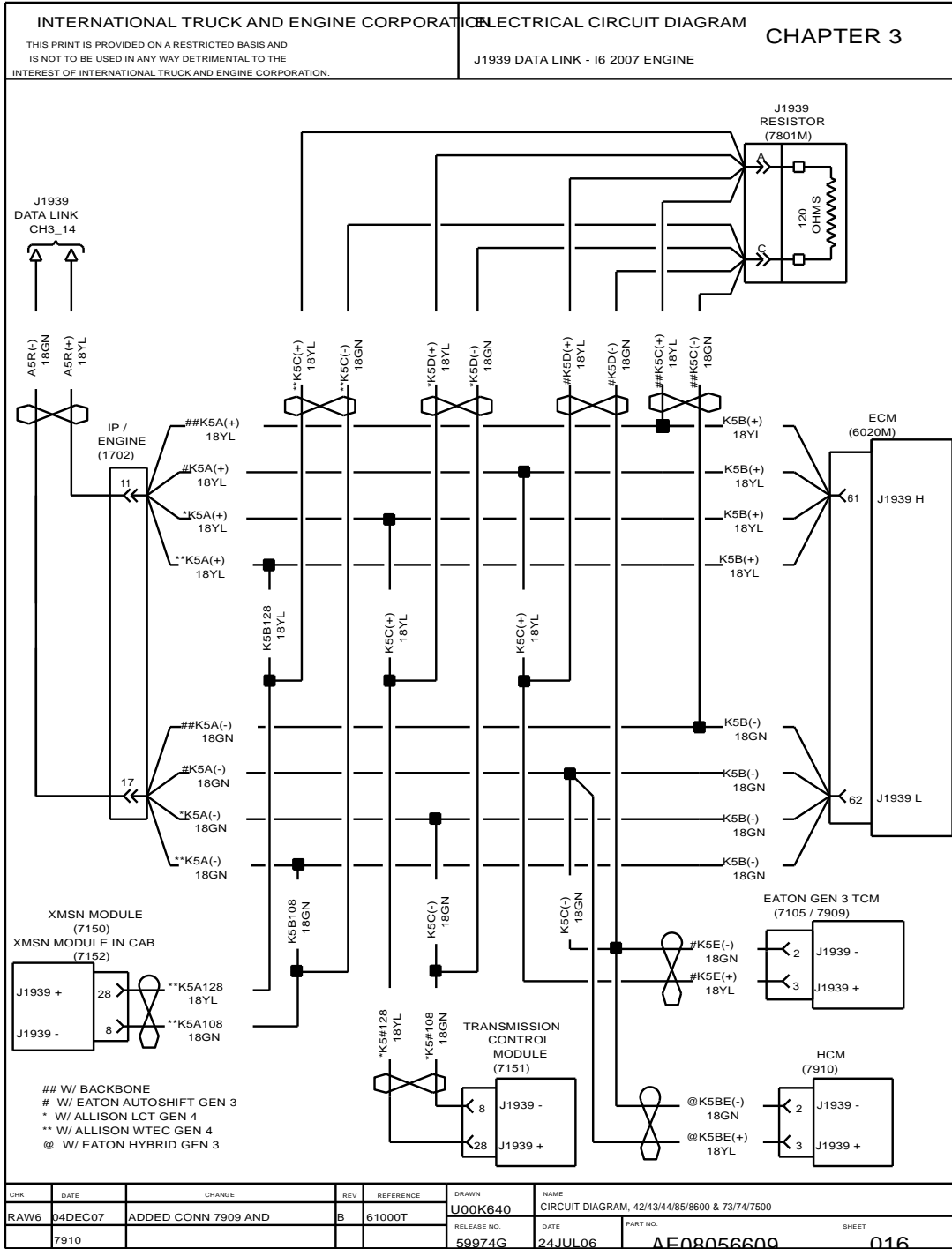


Figure 28 J1939 Data Link – I6 2007 Engine



3.17. J1939 DATA LINK – C11 / C13 2007 ENGINE, P. 17

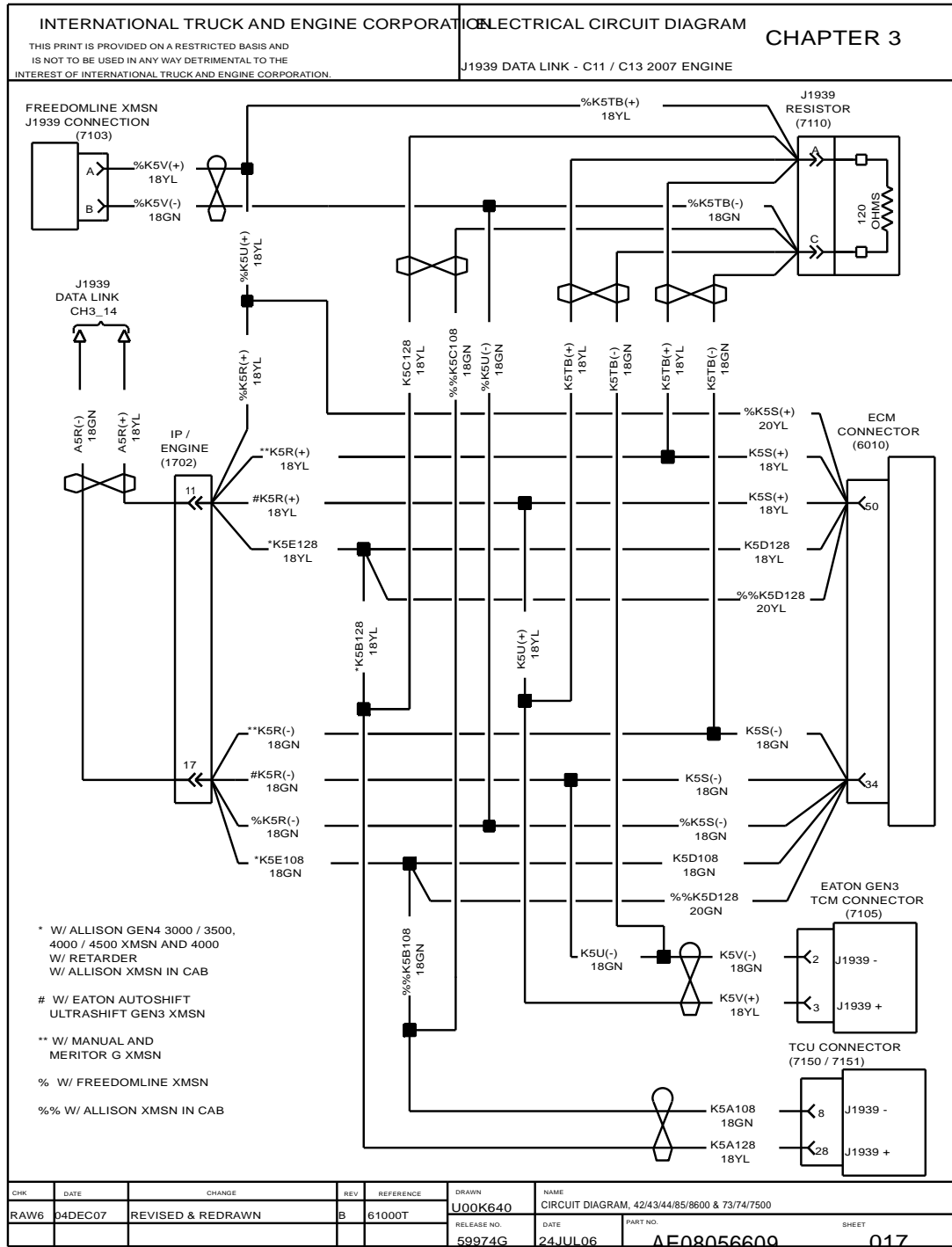


Figure 29 J1939 Data Link – C11 / C13 2007 Engine

3.18. GROUND – IP, P. 18

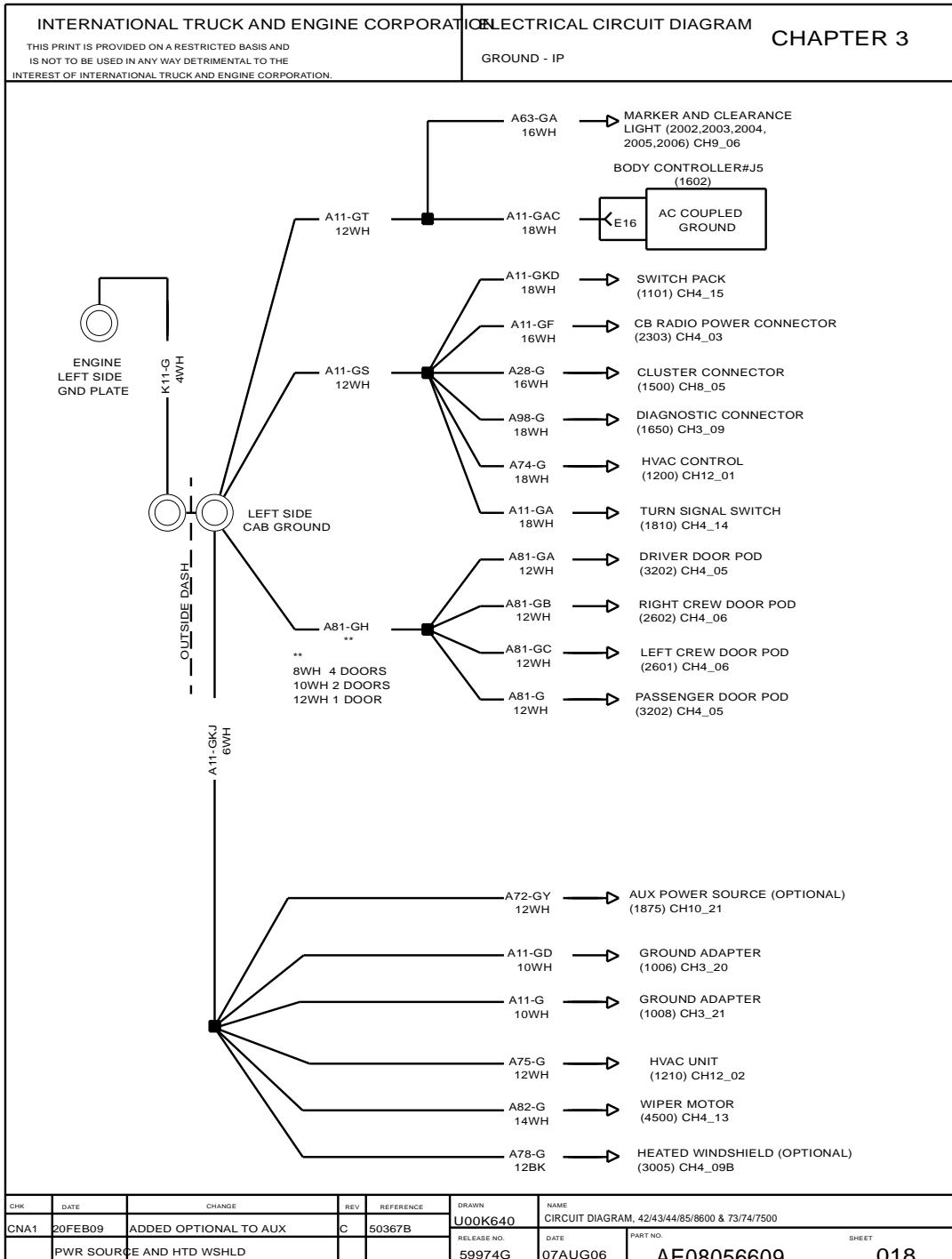


Figure 30 Ground – IP

3.19. GROUND – IP (CONT.), P. 19

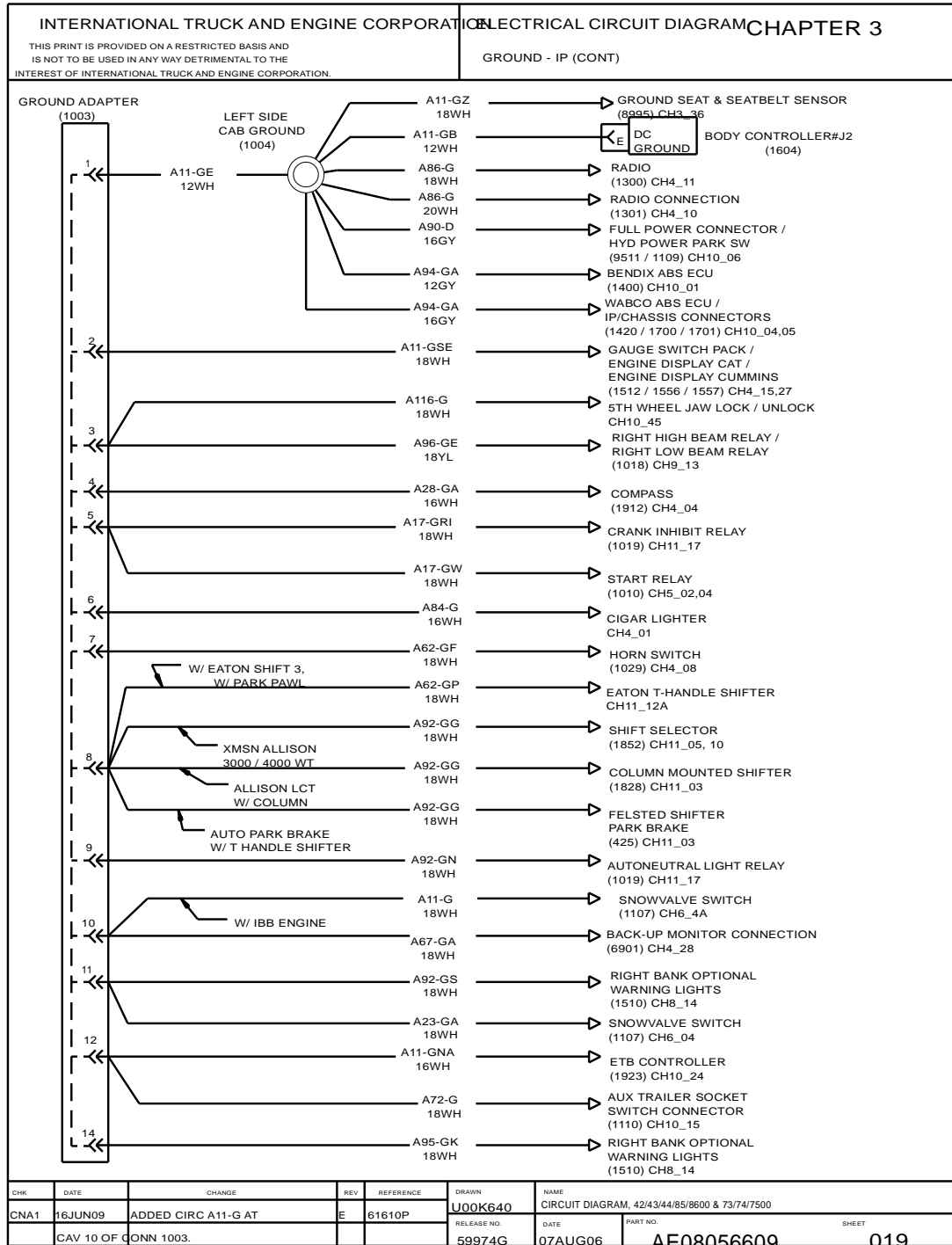


Figure 31 Ground – IP (Cont.)

3.20. GROUND -IP (CONT.), P. 20

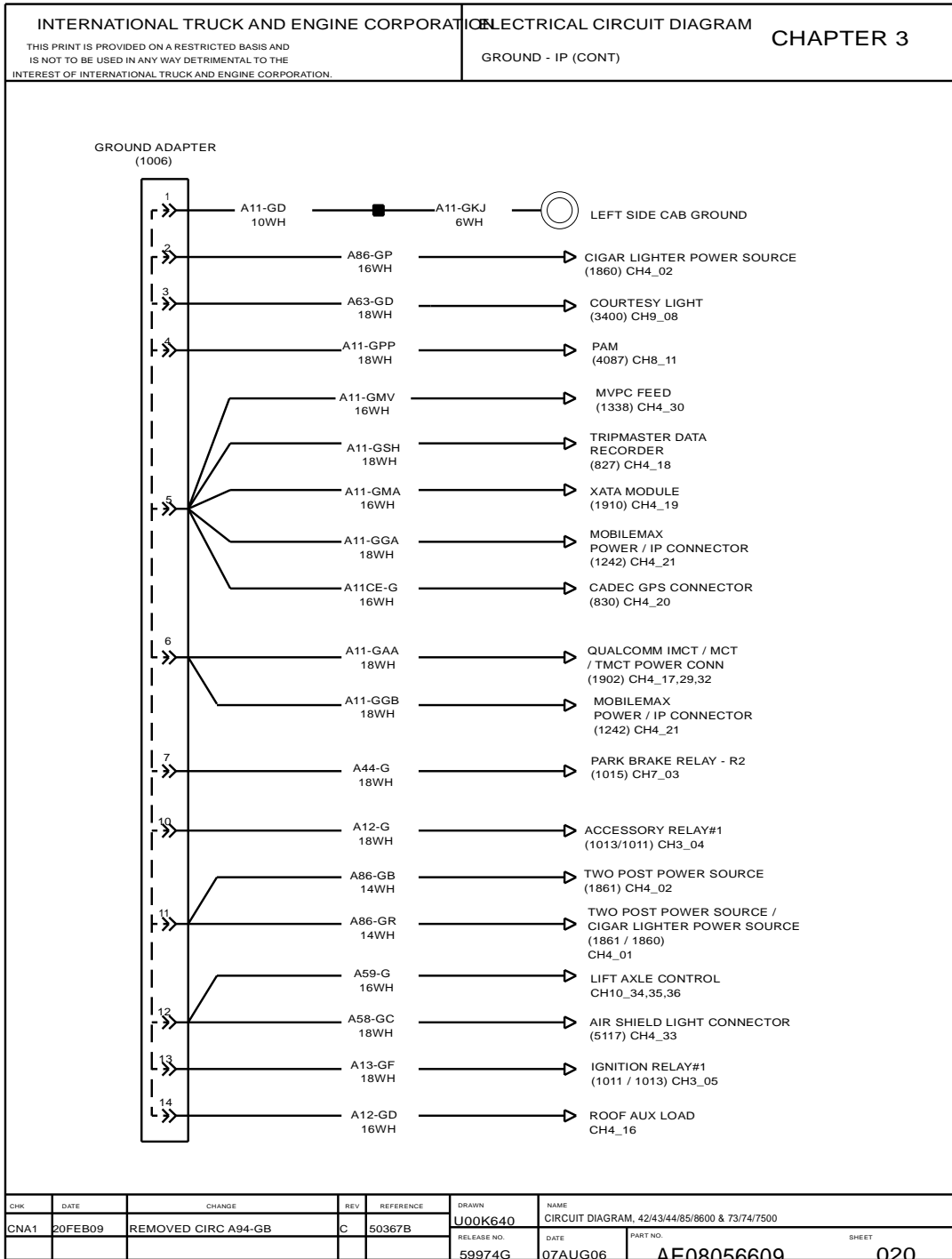


Figure 32 Ground - IP (Cont.)

3.21. GROUND – IP(CONT.) , P. 21

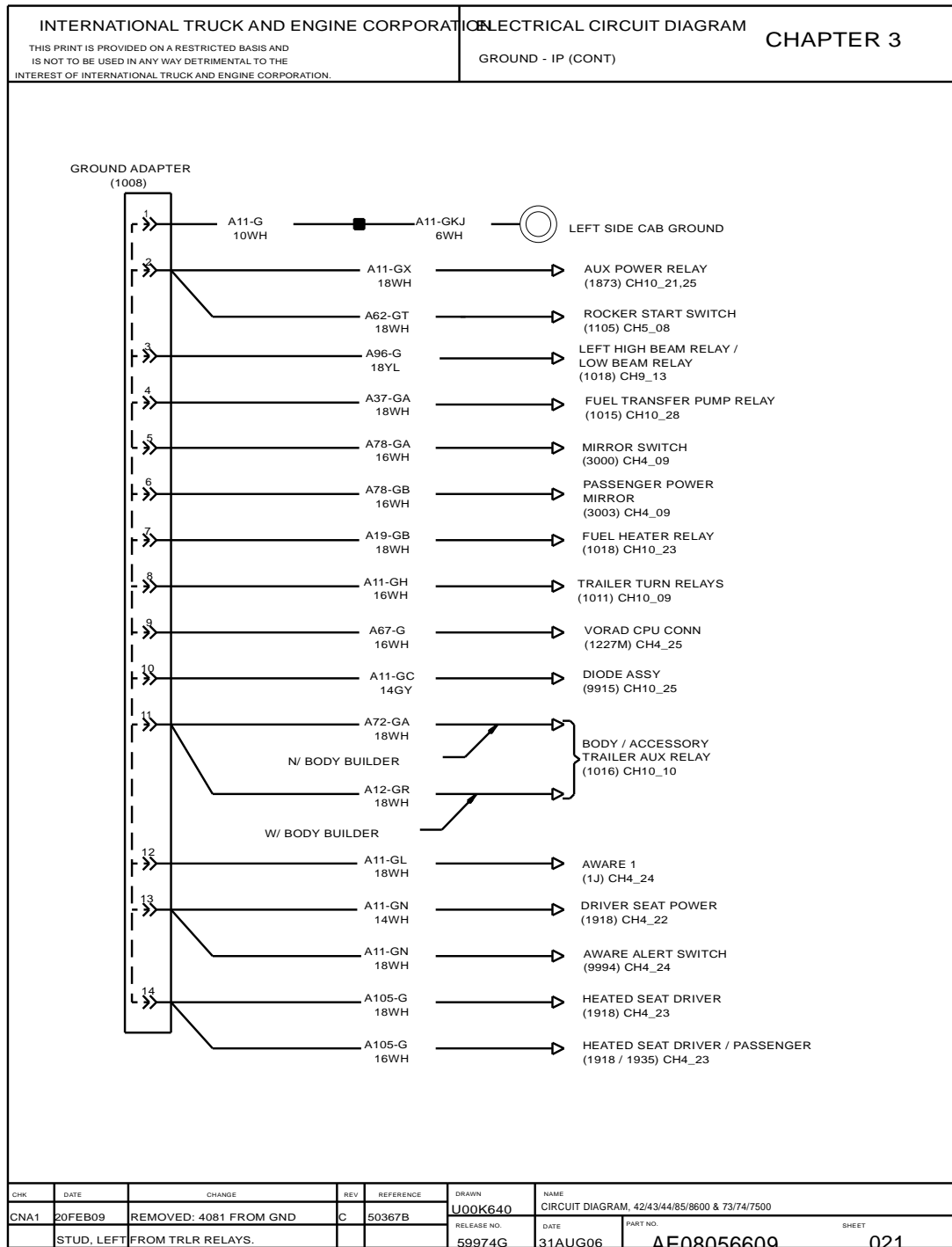


Figure 33 Ground– IP (Cont.)

3.22. ENGINE GROUND, P. 22

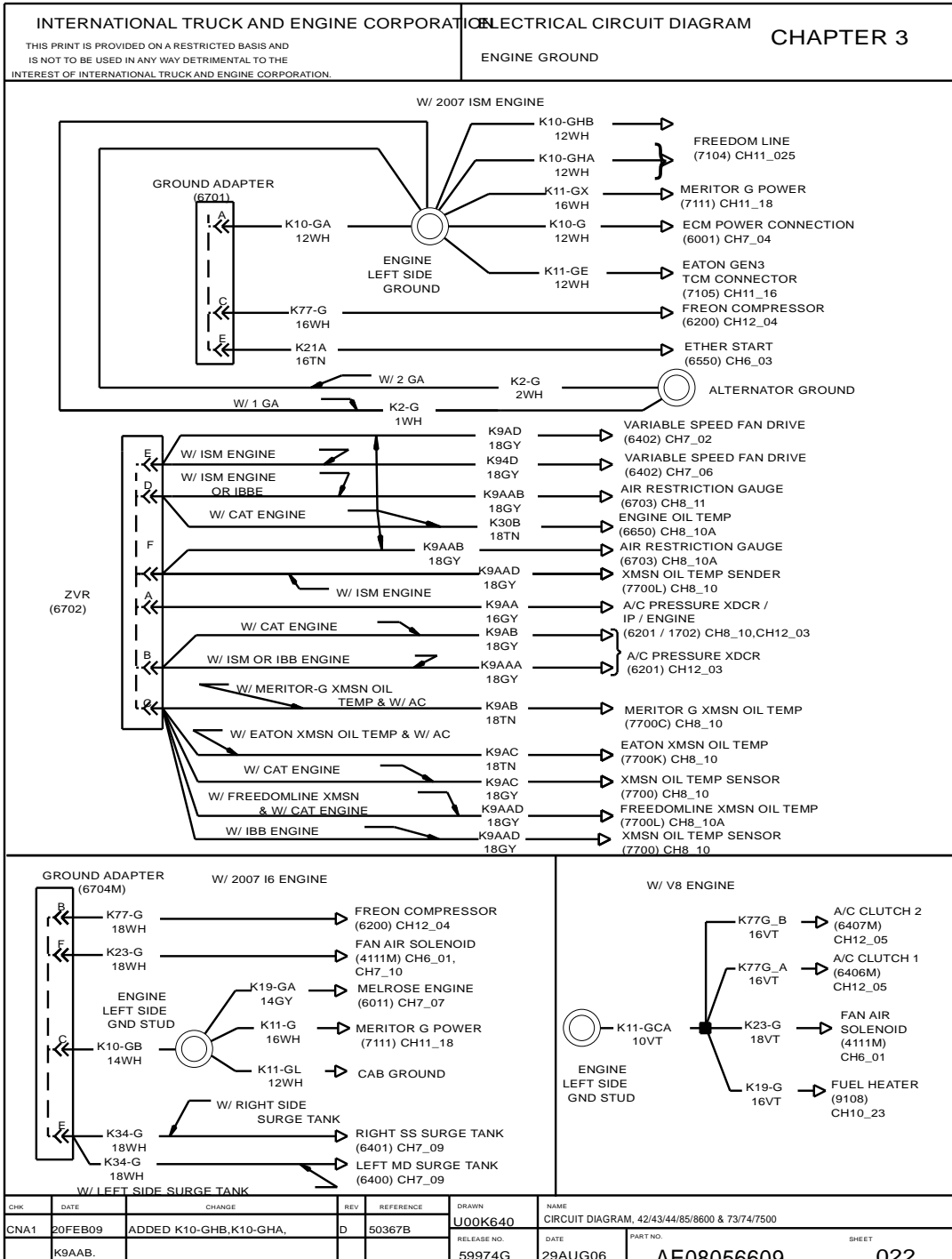


Figure 34 Engine Ground

3.23. ENGINE GROUND CAT C11-C13 2007 ENGINE, P. 23

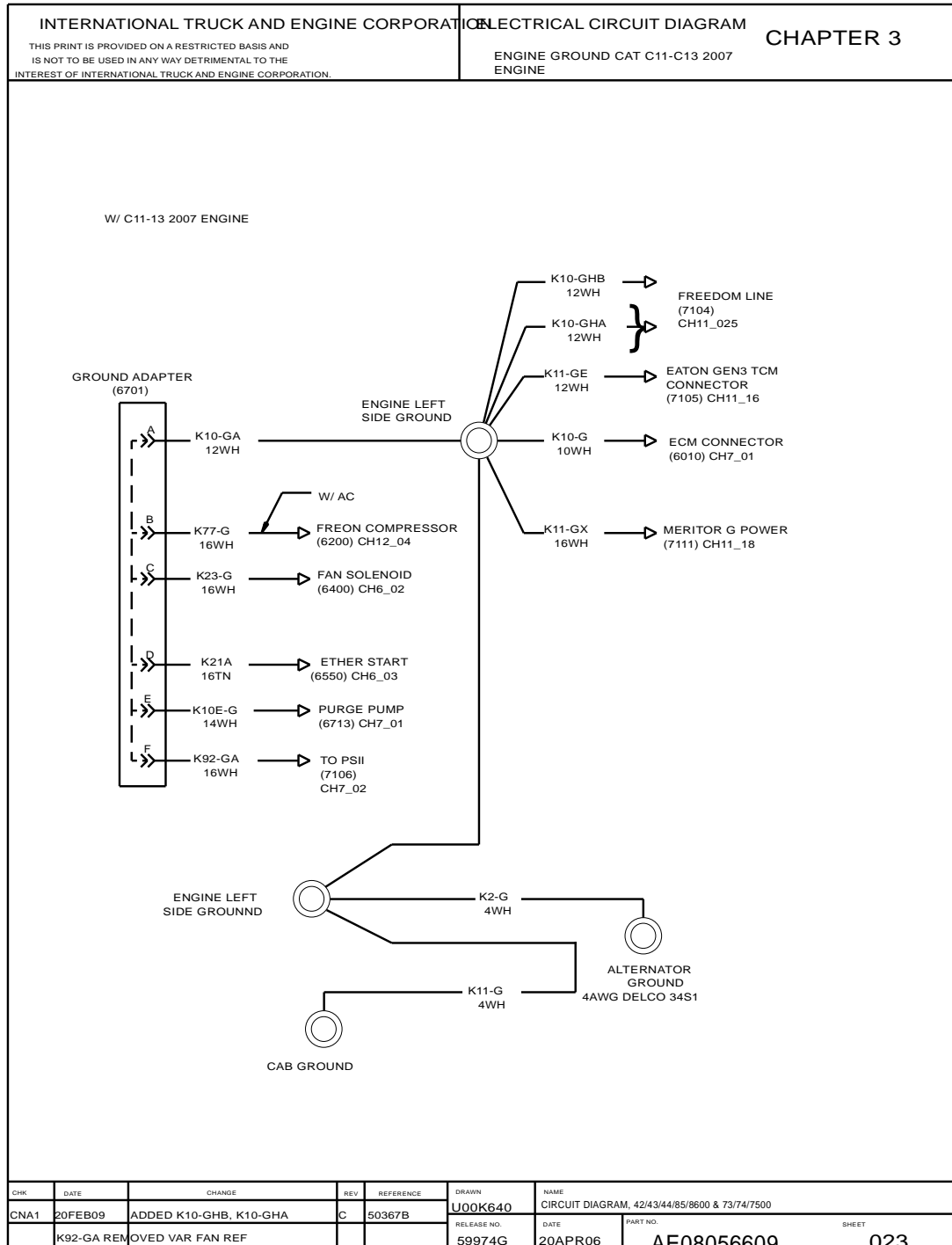


Figure 35 Engine Ground Cat C11-C13 2007 Engine

3.24. GROUND – CHASSIS, P. 24

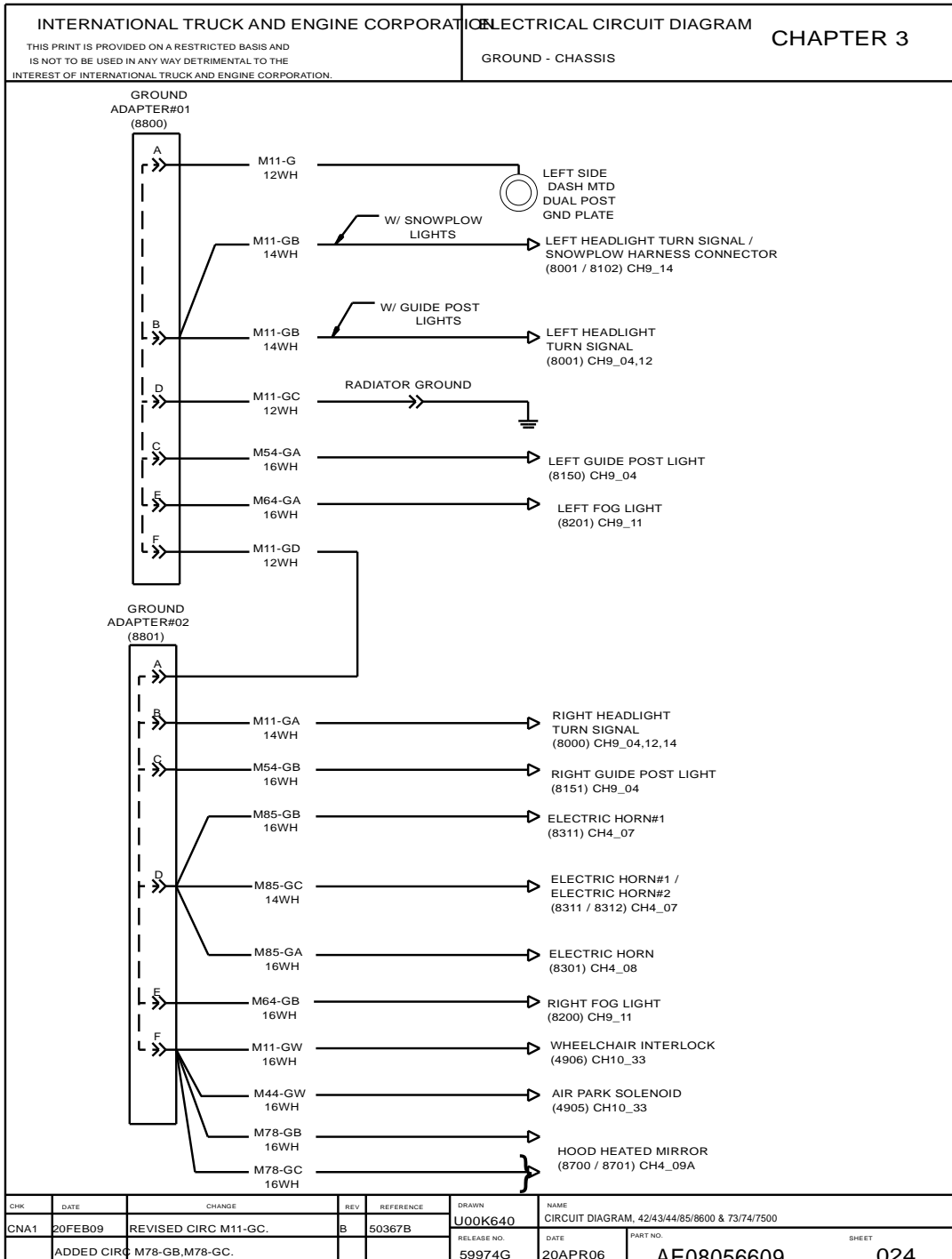


Figure 36 Ground – Chassis



3.25. GROUND – CHASSIS WITH HEAVY DUTY DIESEL, P. 25

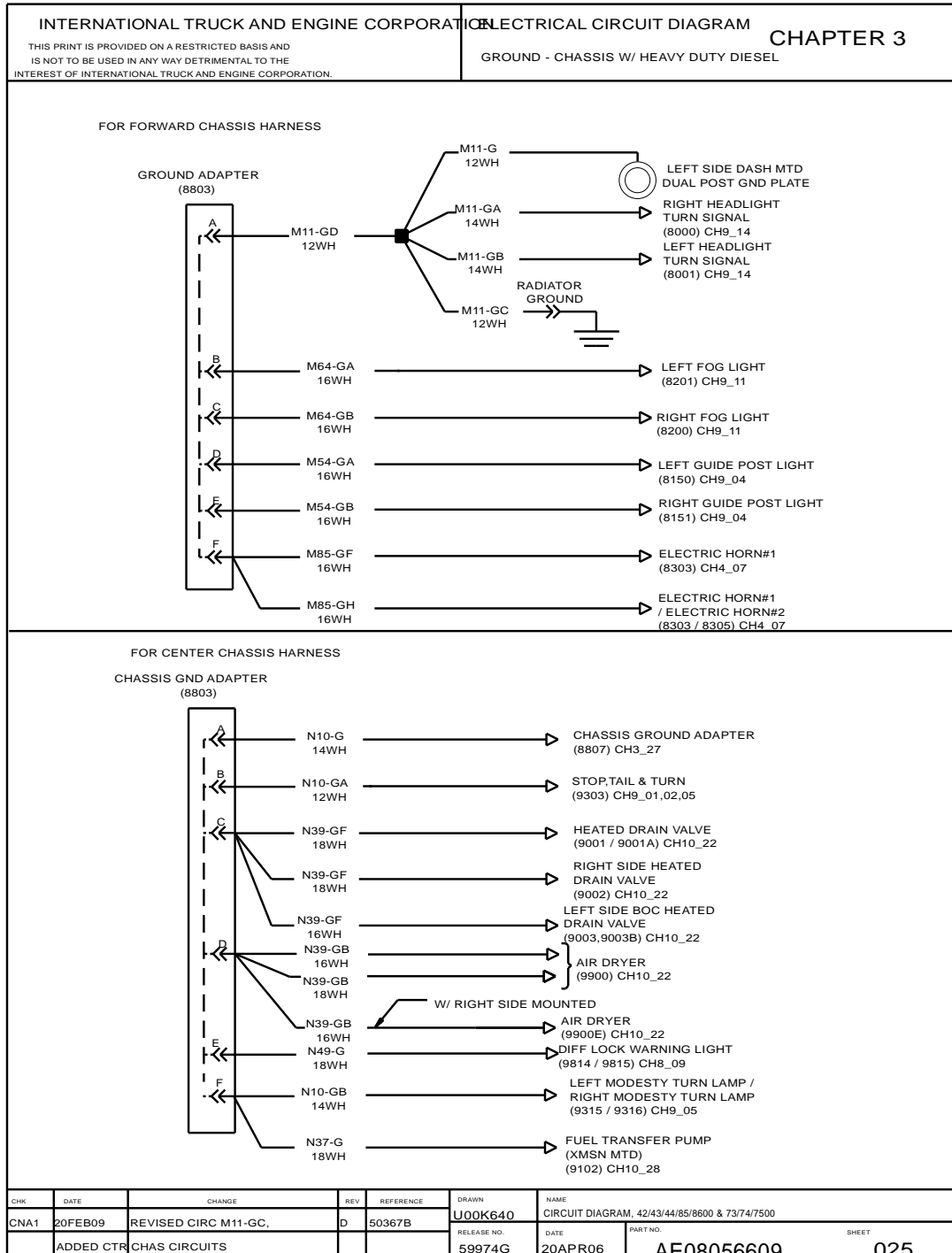


Figure 37 Ground – Chassis with Heavy Duty Diesel

3.26. GROUND – CHASSIS, P. 26

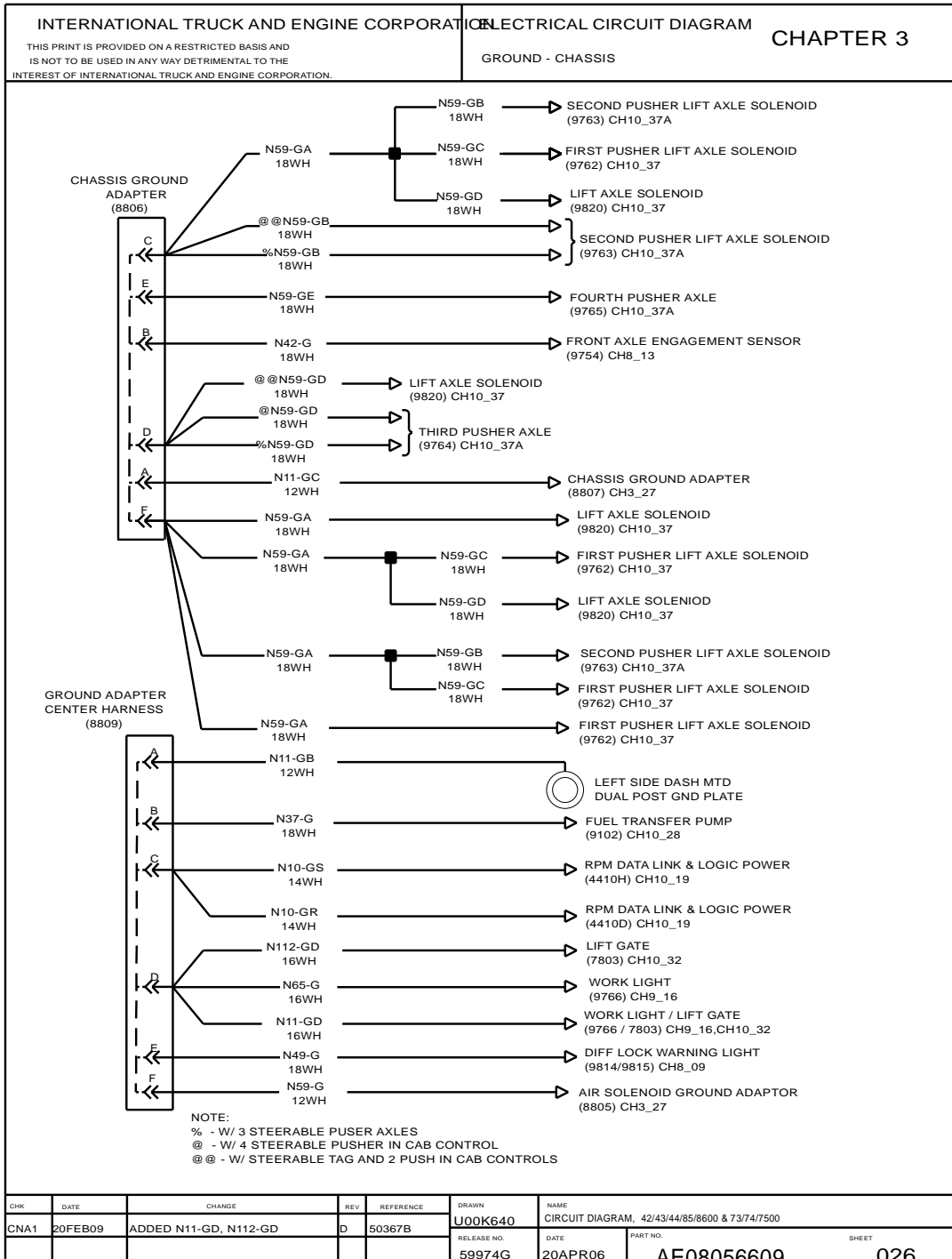


Figure 38 Ground – Chassis

3.27. GROUND – CHASSIS (CONT.), P. 27

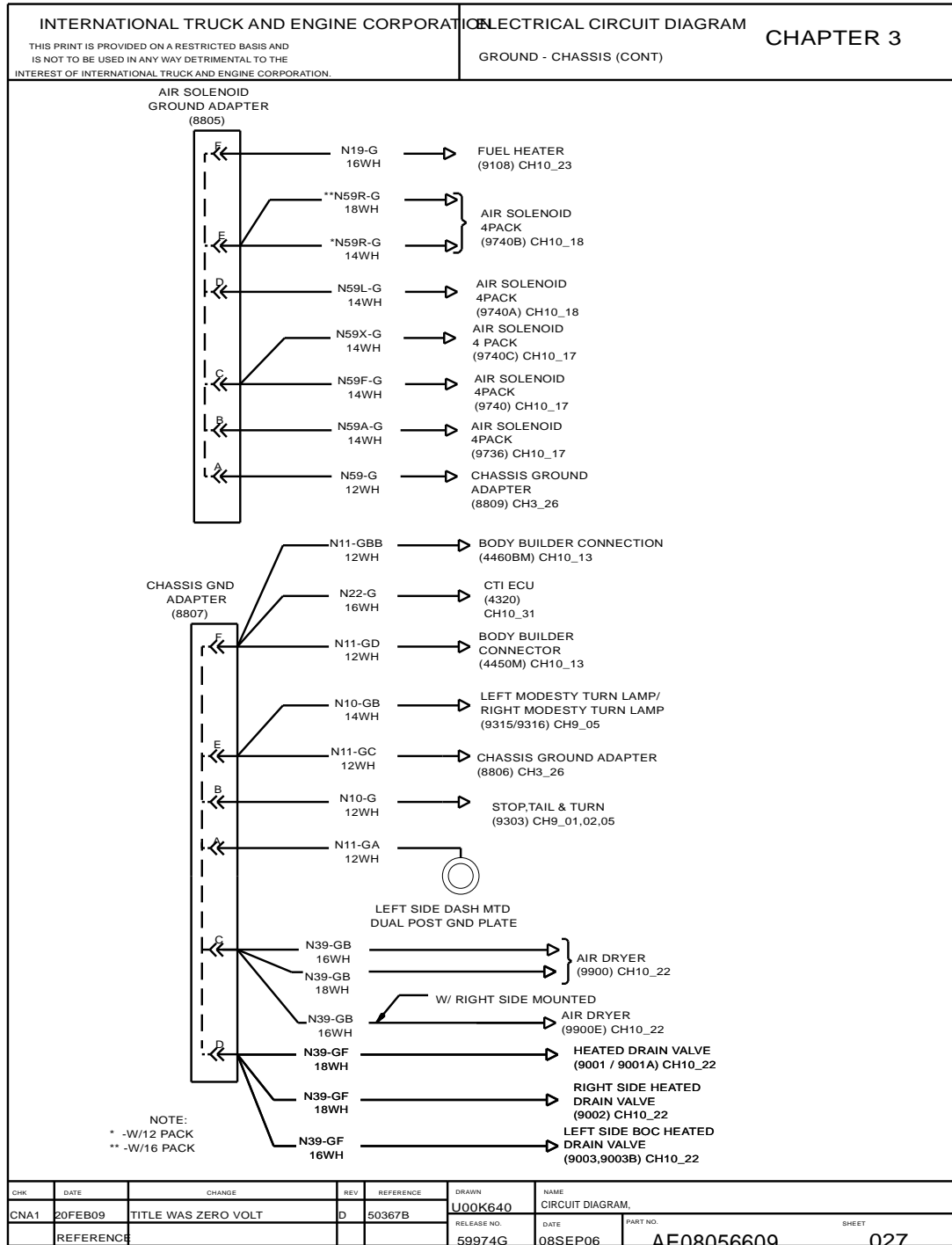


Figure 39 Ground – Chassis (Cont.)

3.28. ZERO VOLT REFERENCE, P. 28

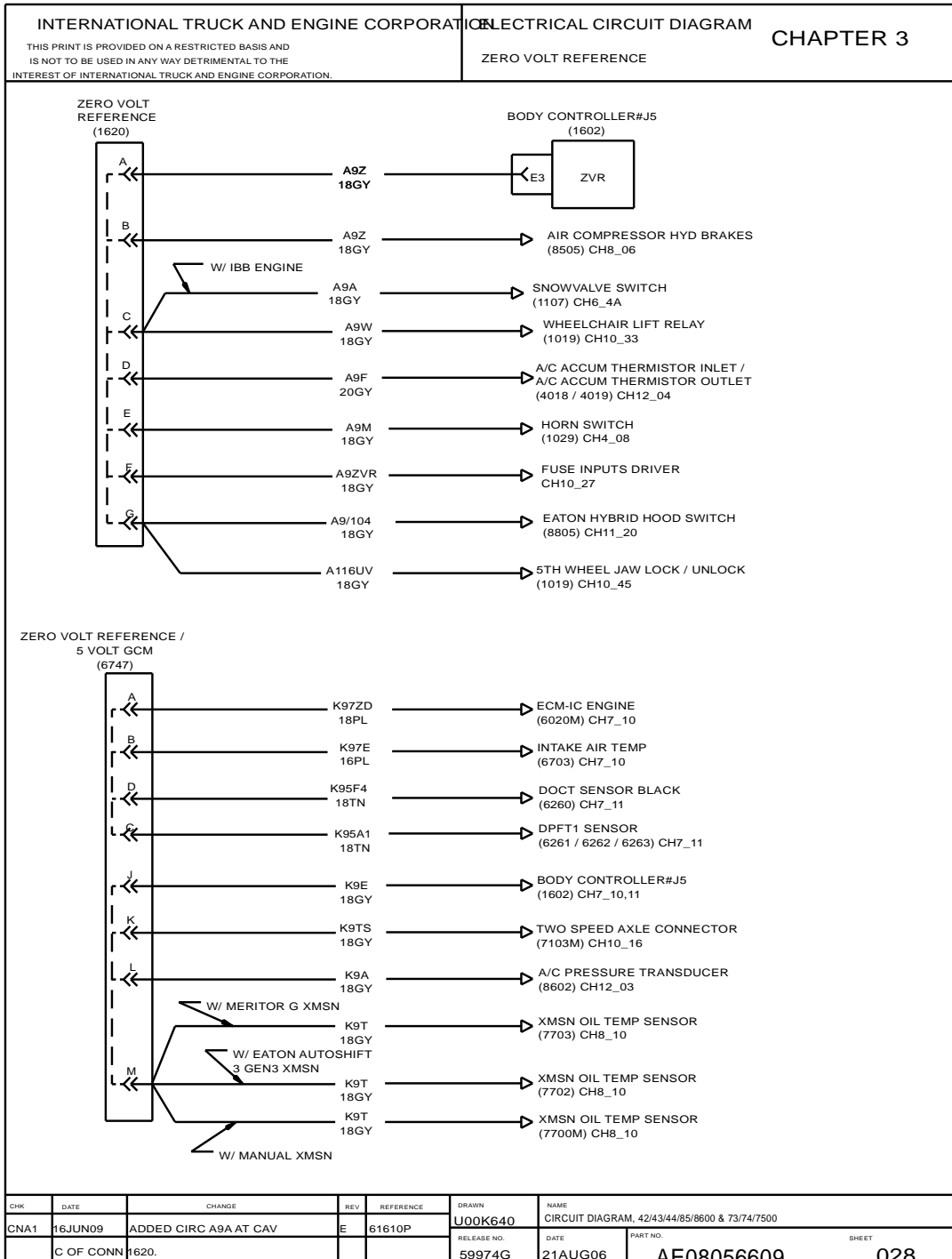


Figure 40 Zero Volt Reference

3.29. GROUND – CHASSIS, P. 29

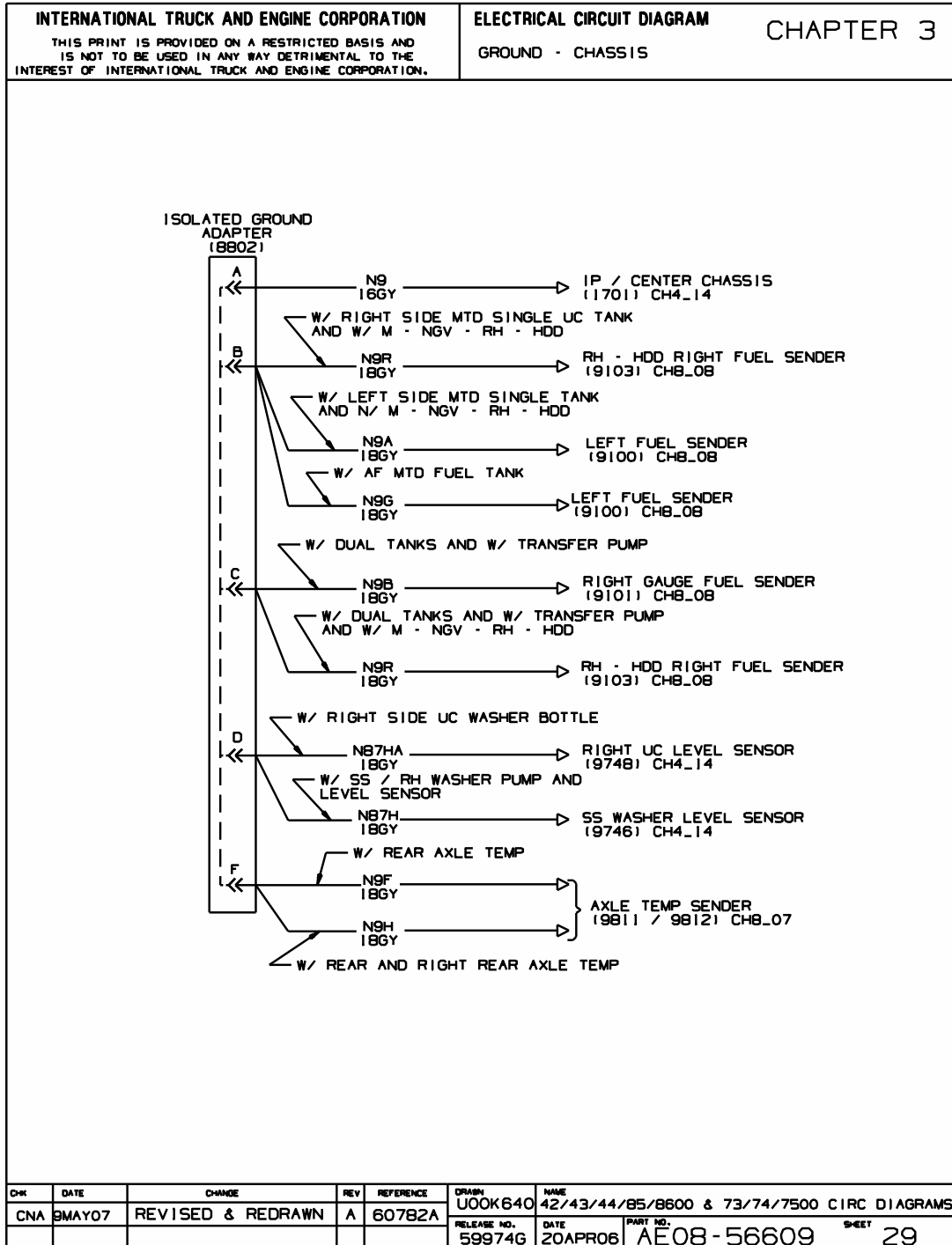


Figure 41 Ground – Chassis

3.30. J1939 DATA LINK WITH V8 ENGINE, P. 30

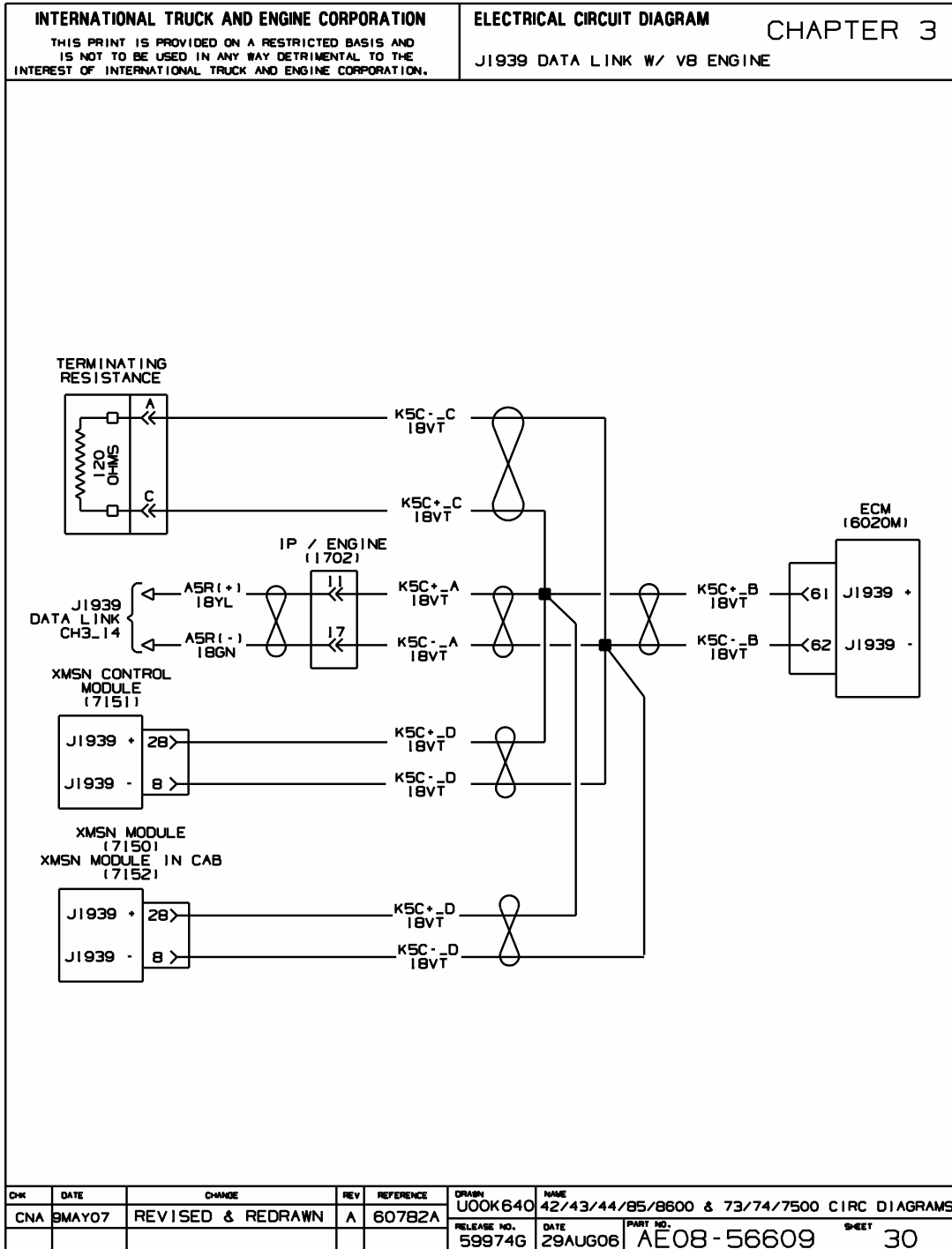


Figure 42 J1939 Data Link with V8 Engine

3.31. ENGINE GROUND – IBB ENGINE, P. 31

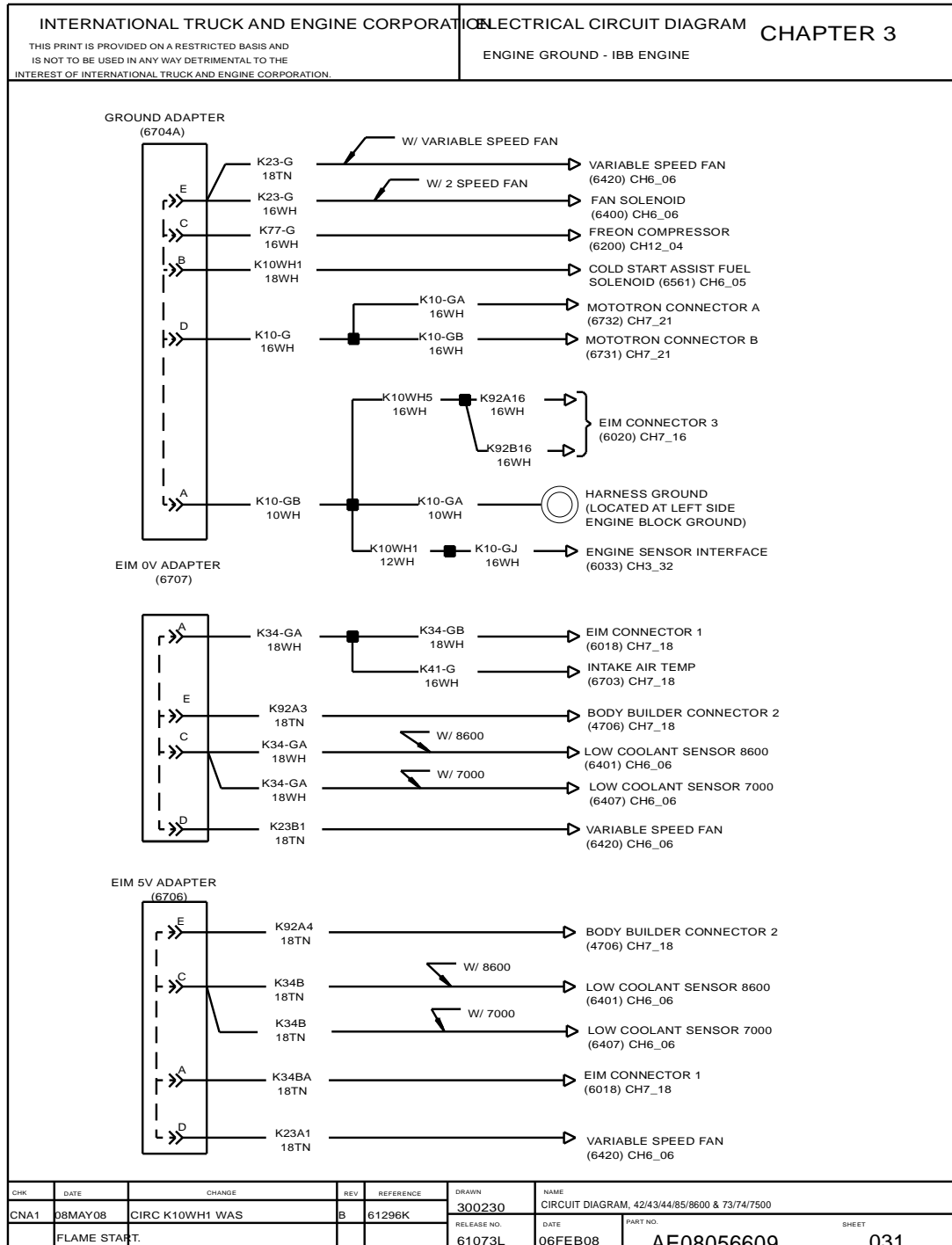


Figure 43 Engine Ground – IBB Engine

3.32. J1939 DATA LINK – IBB ENGINE (CONT.), P. 32

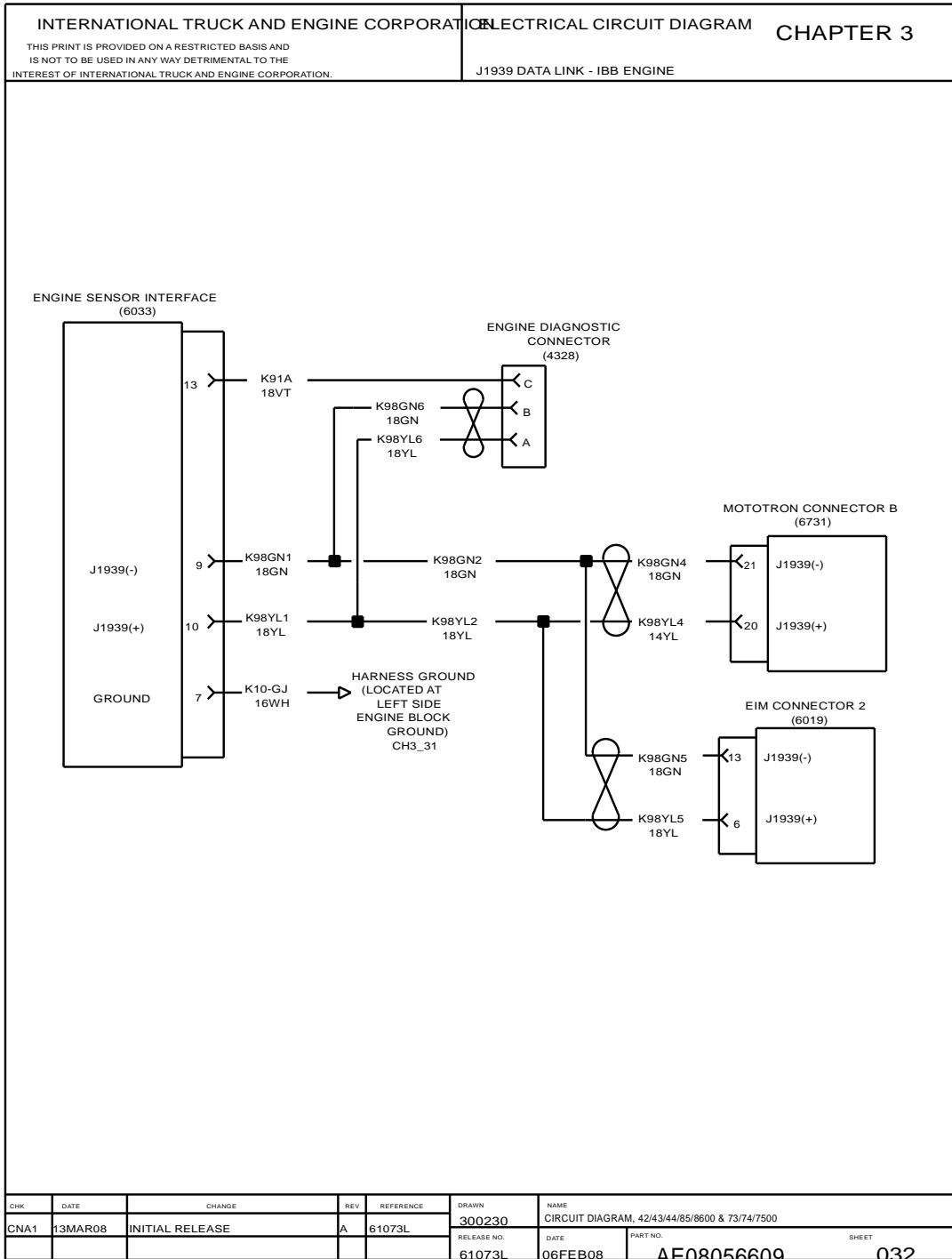


Figure 44 J1939 Data Link – IBB Engine (Cont.)



3.33. J1939 DATA LINK – IBB ENGINE (CONT.), P. 33

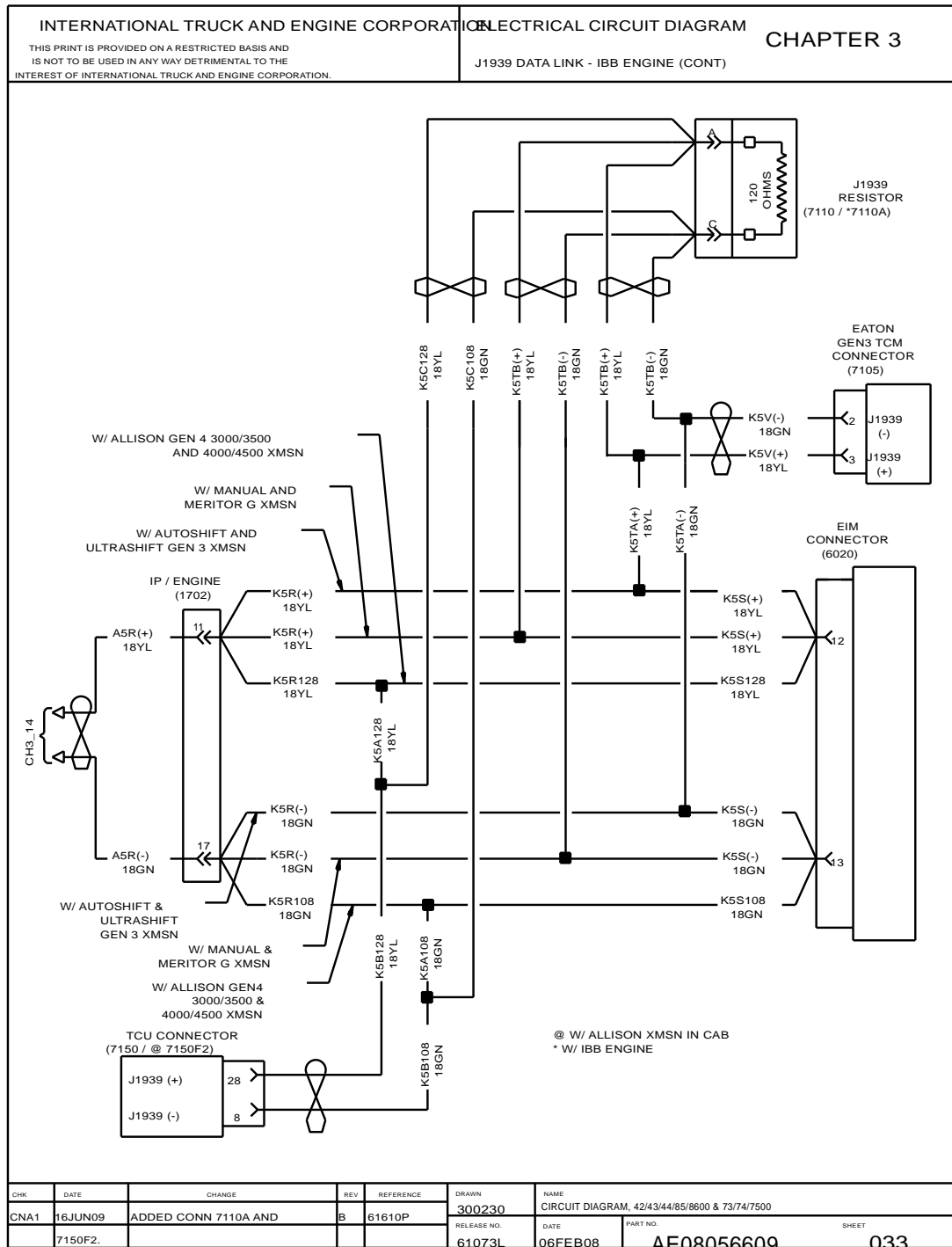


Figure 45 J1939 Data Link – IBB Engine (Cont.)

3.34. BATTERY FEED, SINGLE, P. 34

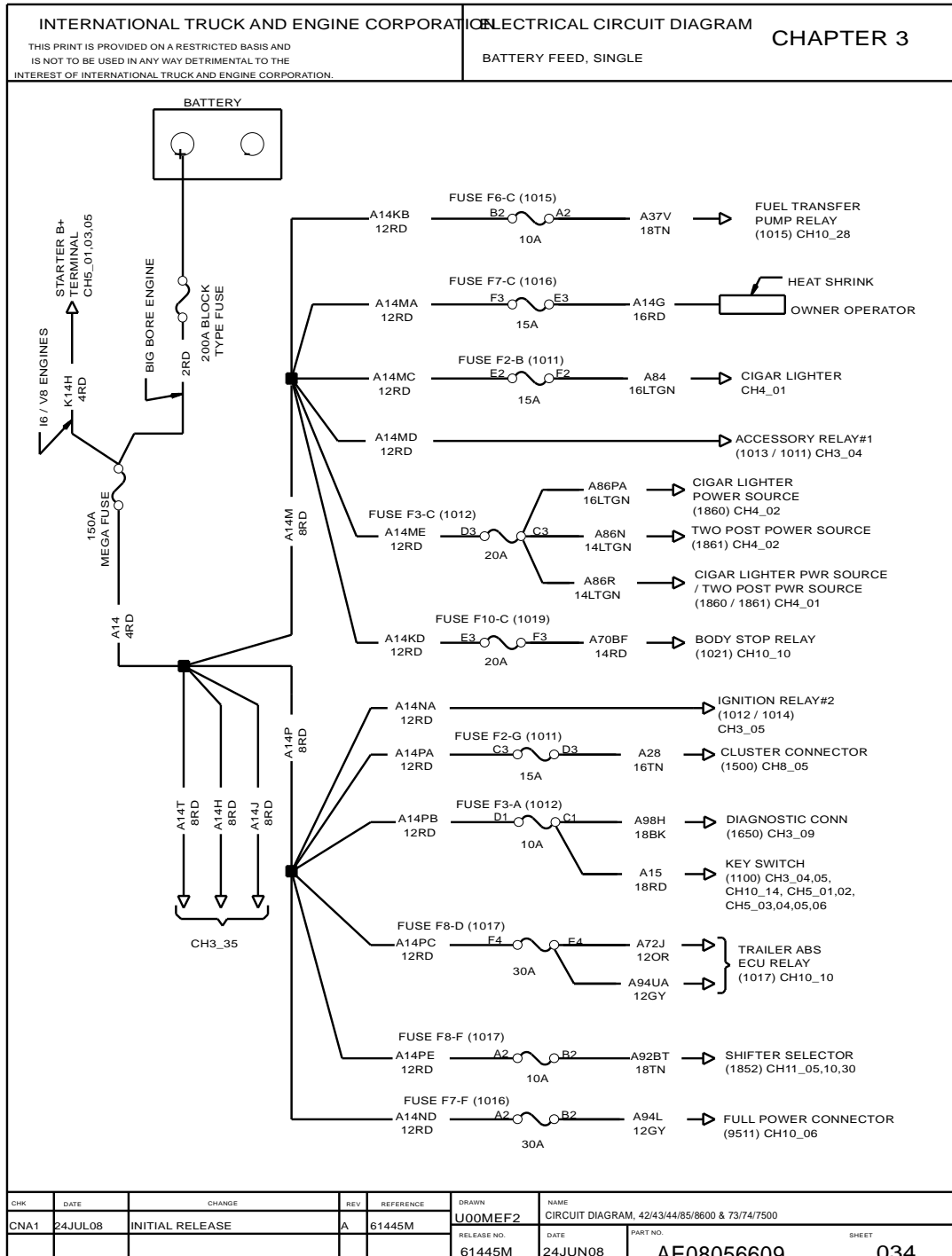


Figure 46 Battery Feed, Single

3.35. BATTERY FEED, SINGLE (CONT.), P. 35

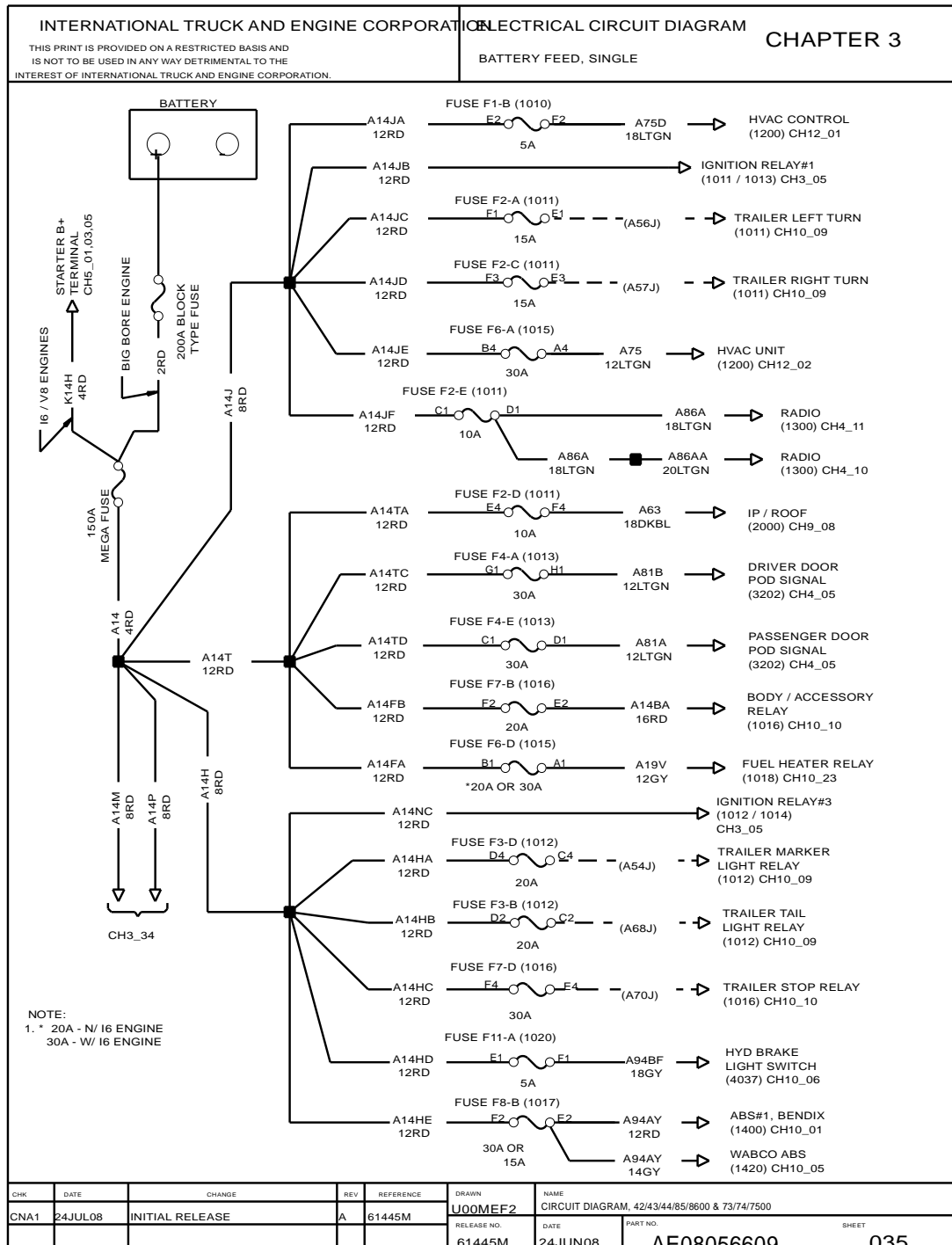


Figure 47 Battery Feed, Single (Cont.)

3.36. GROUND – SEAT AND SEATBELT SENSOR, P. 36

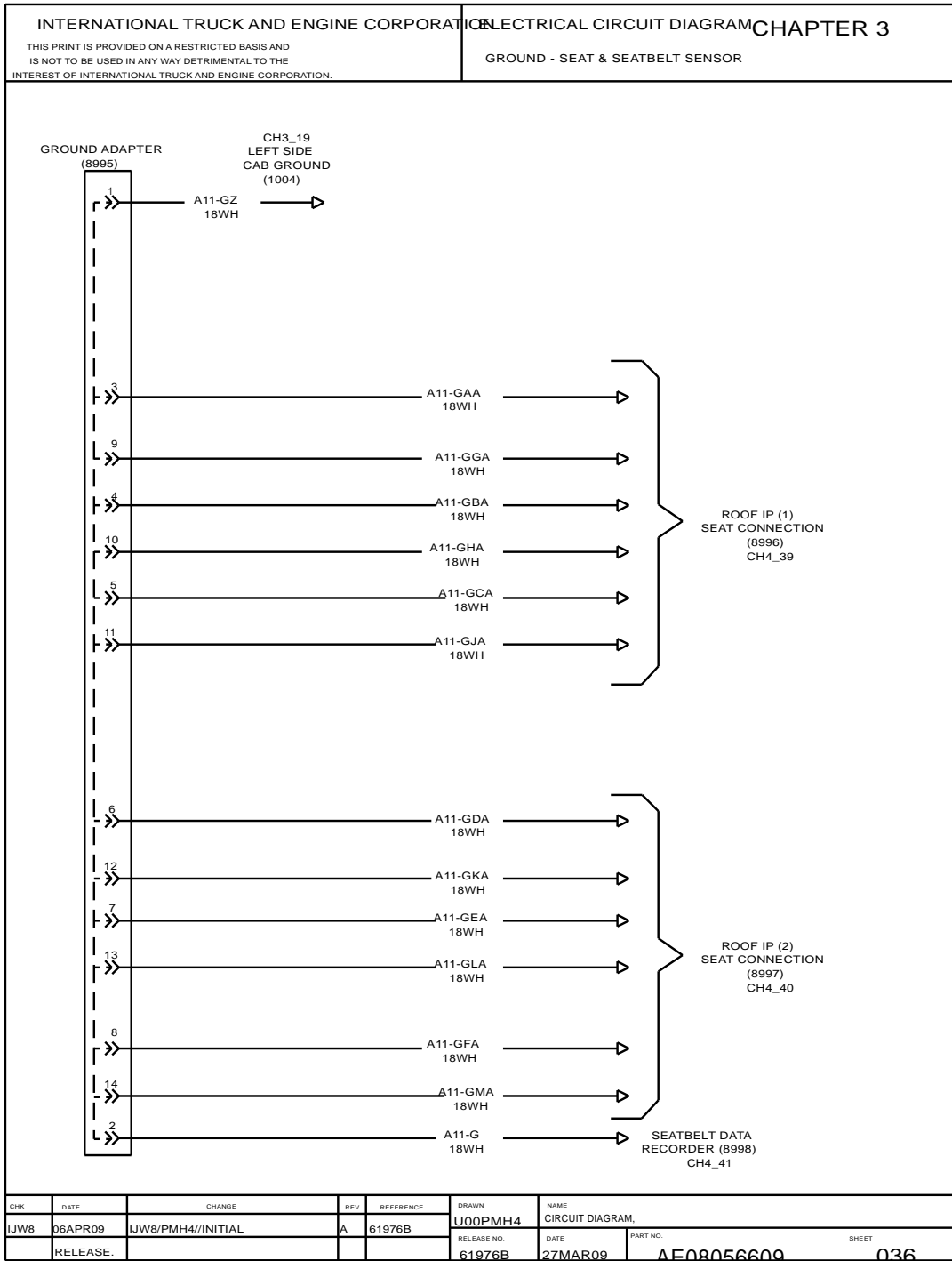


Figure 48 Ground – Seat and Seatbelt Sensor

## CAB ACCESSORIES (CHAPTER 4)

### 4.1. CIGAR LIGHTER AND POWER FEED, P. 1

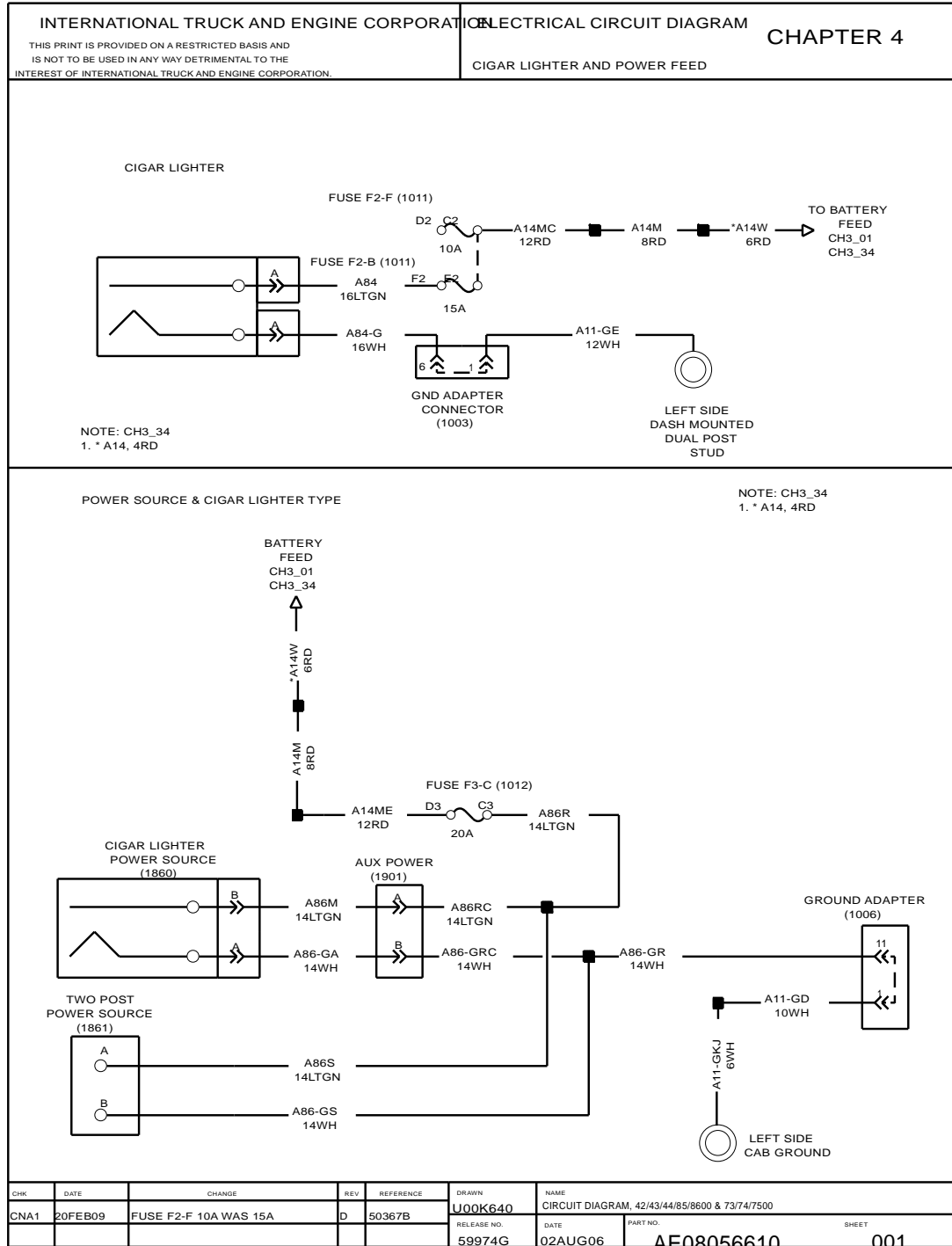


Figure 49 Cigar Lighter and Power Feed

4.2. CIGAR LIGHTER AND POWER FEED (CONT.), P. 2

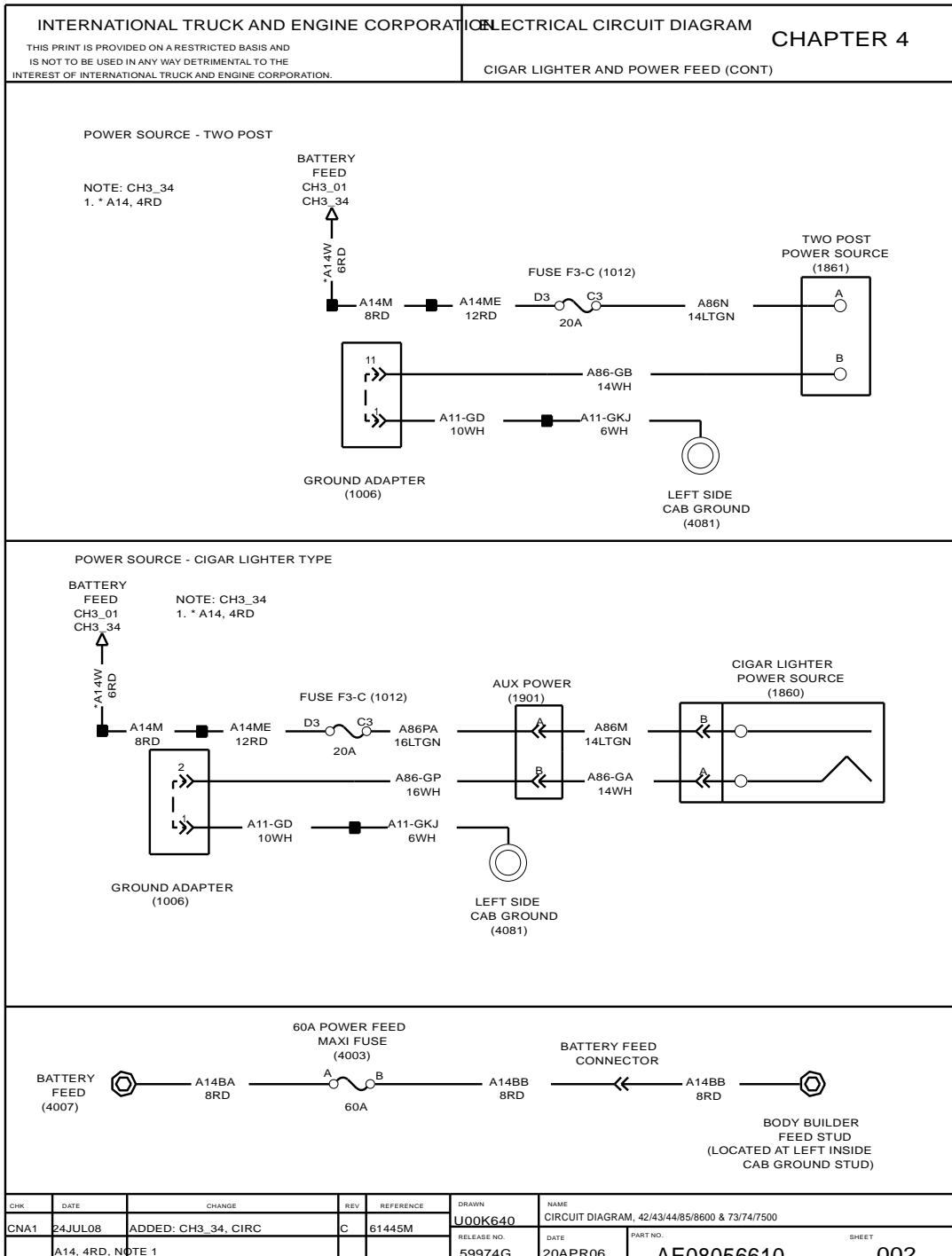


Figure 50 Cigar Lighter and Power Feed (Cont.)

4.3. CB POWER RADIO, P. 3

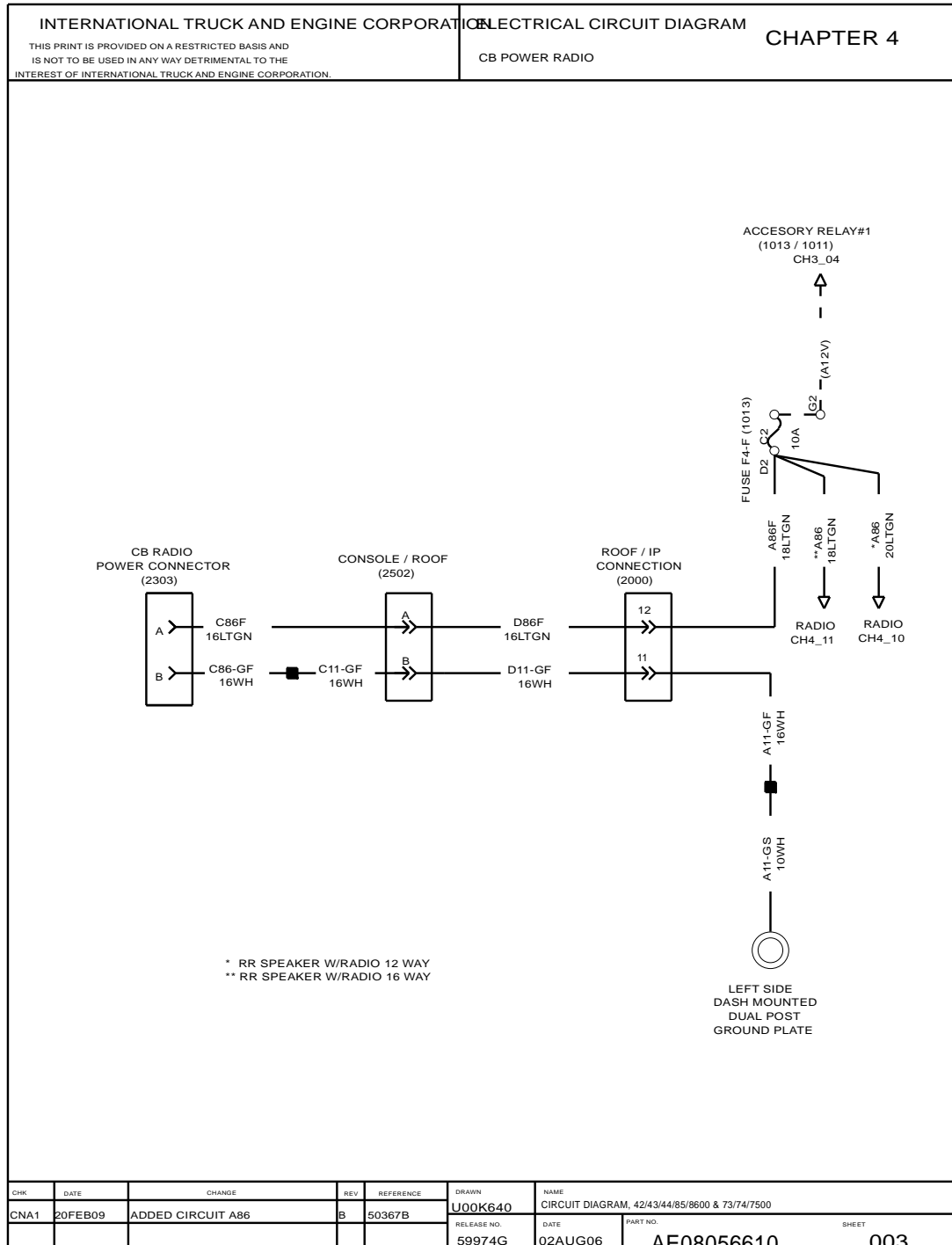


Figure 51 CB Power Radio (Cont.)

4.4. COMPASS AND TEMPERATURE DISPLAY, P. 4

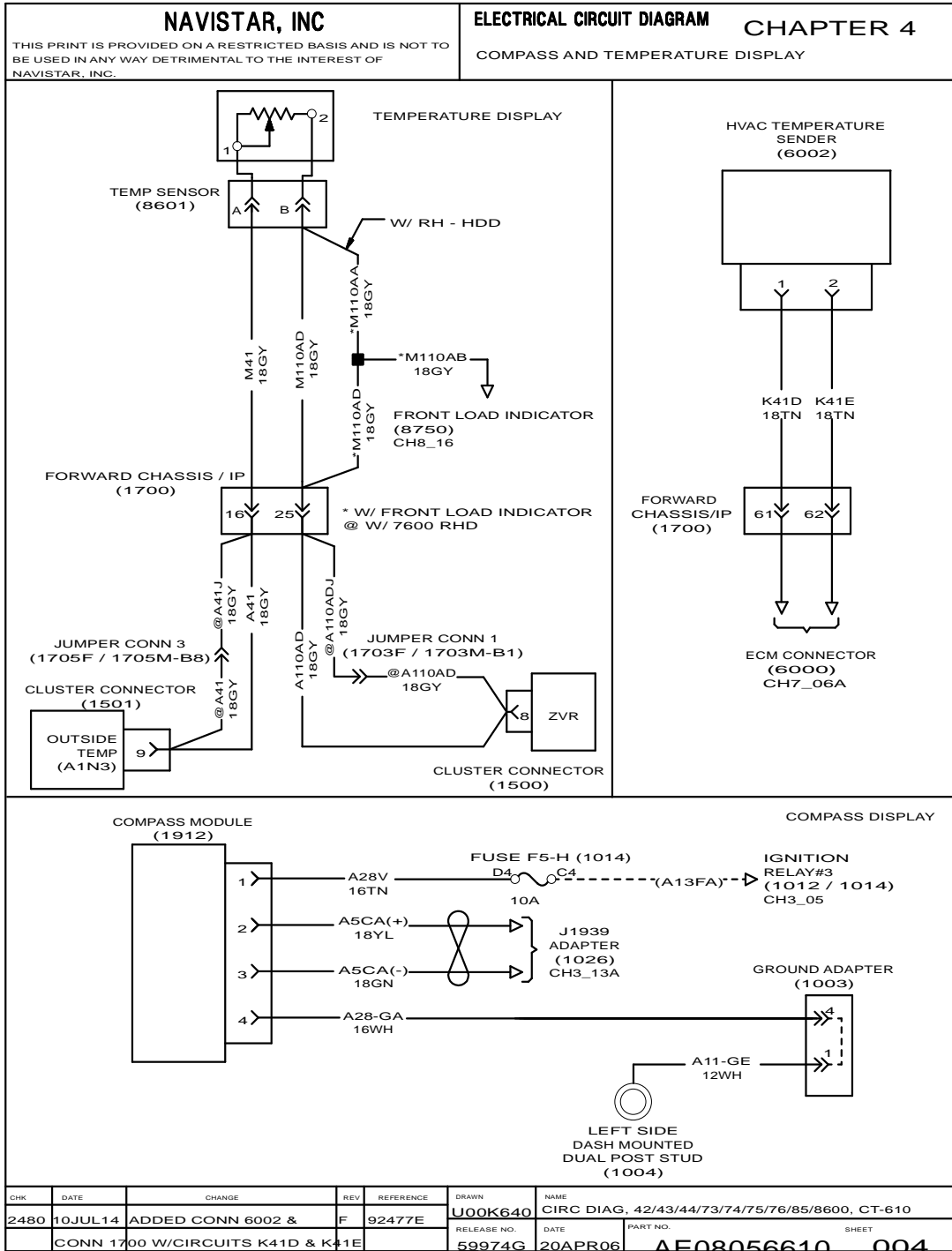


Figure 52 Compass and Temperature Display



4.5. FRONT DOOR WINDOWS AND LOCKS (POWER), P. 5

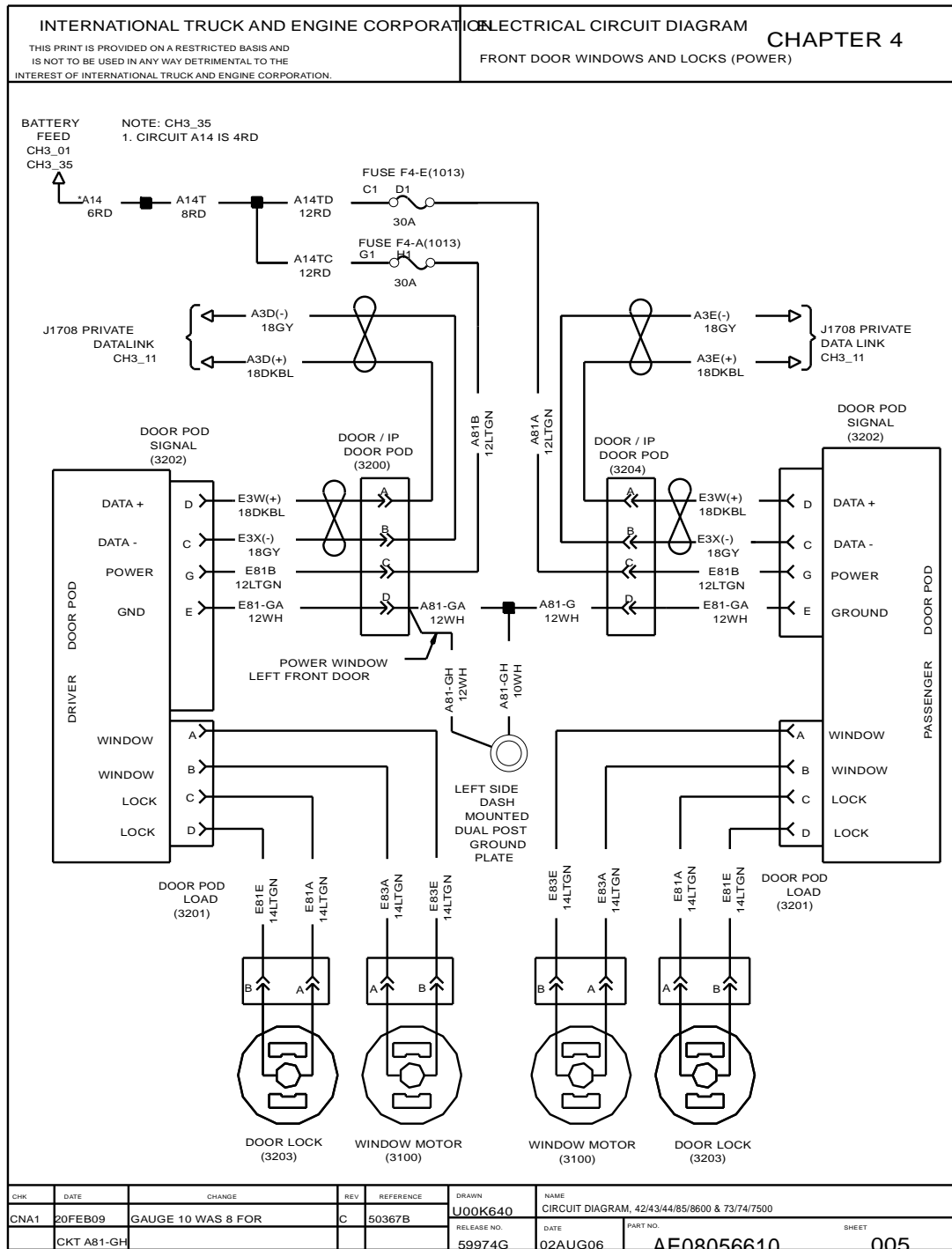


Figure 53 Front Door Windows and Locks (Power)

4.6. FRONT DOOR WINDOWS AND LOCKS (POWER) FOR CREW, P. 6

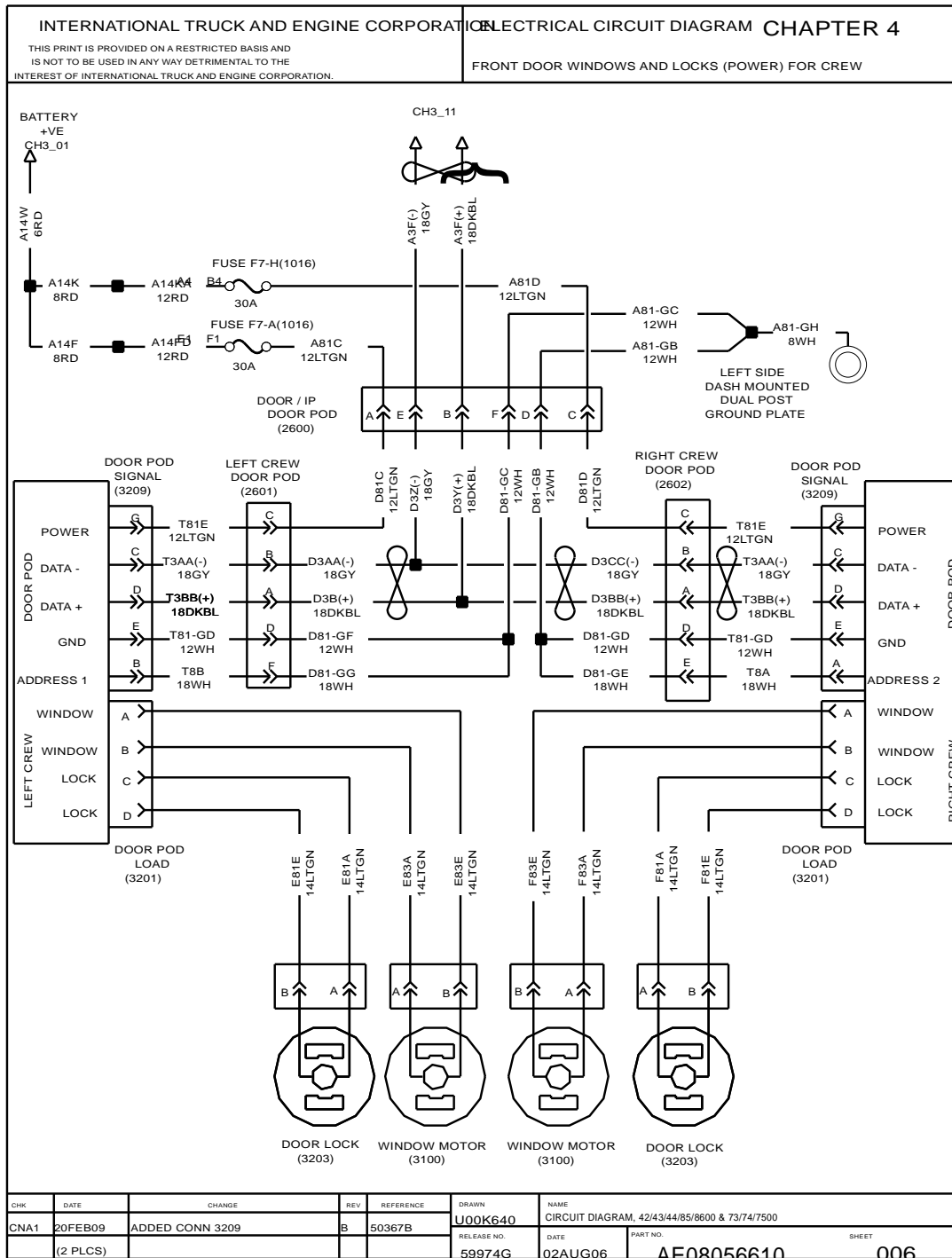


Figure 54 Front Door Windows and Locks (Power) for Crew

4.7. HORN, ELECTRIC AND AIR, P. 7

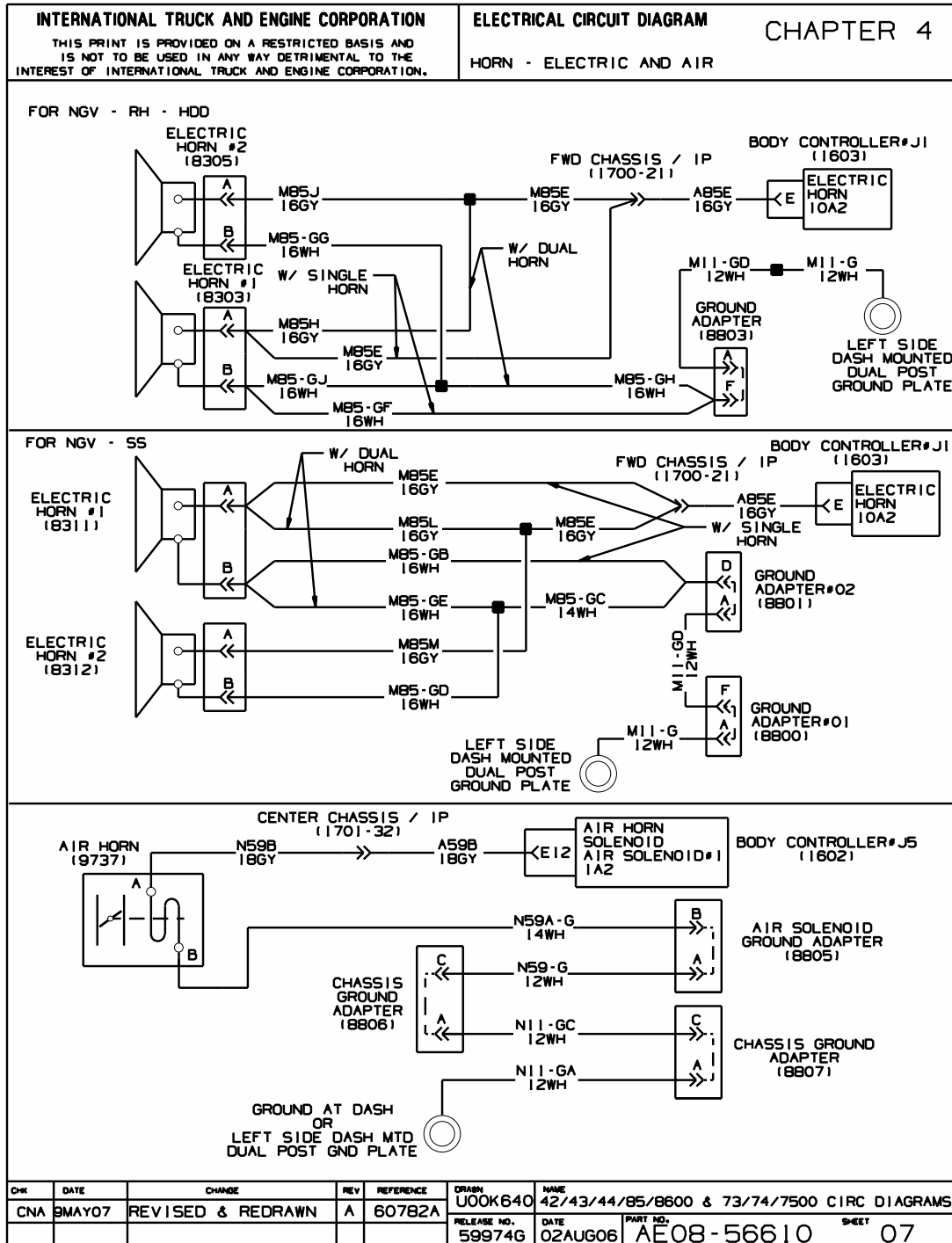


Figure 55 Horn, Electric and Air

4.8. HORN, ELECTRIC AND AIR (CONT.), P. 8

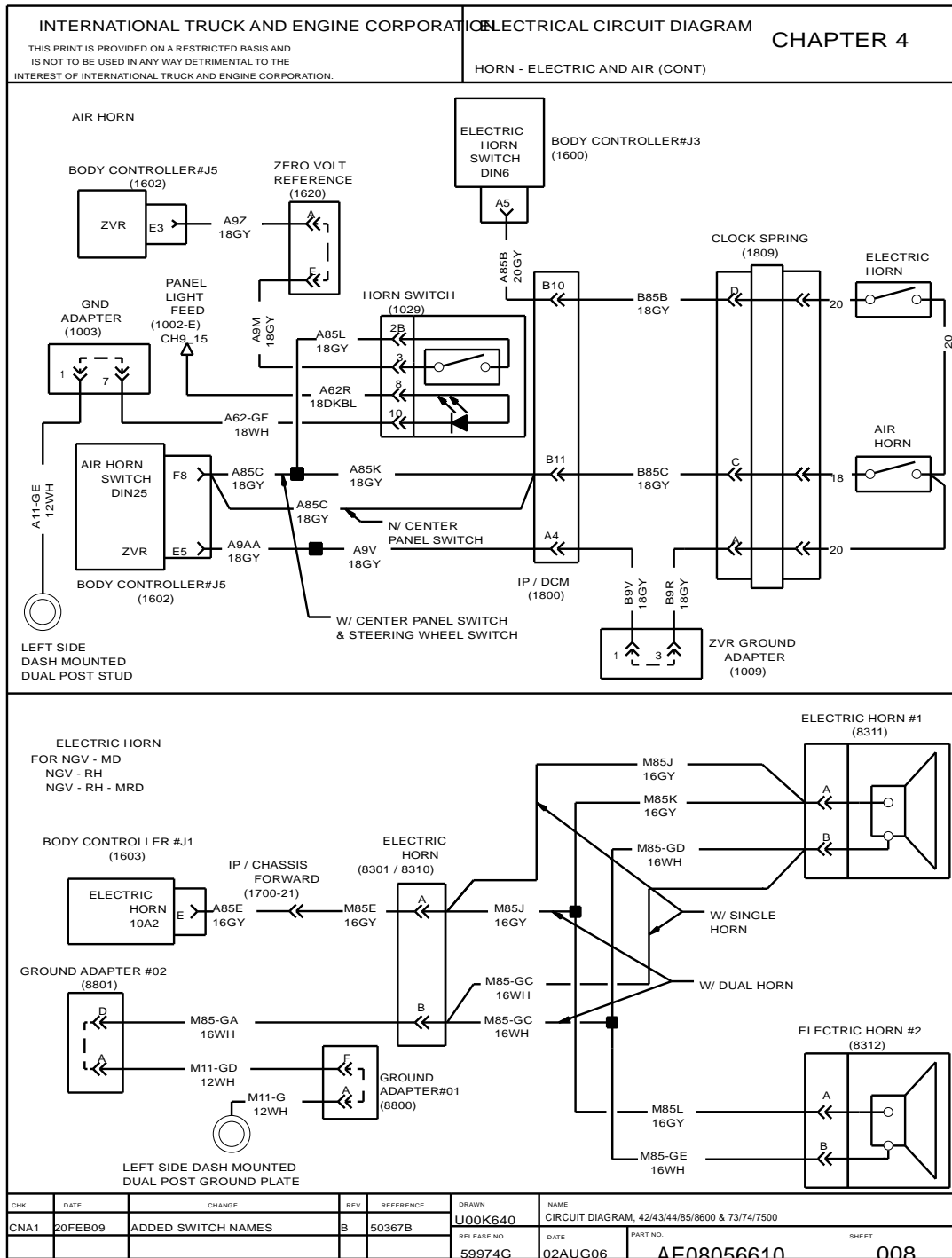


Figure 56 Horn, Electric and Air (Cont.)

4.9. MIRRORS (HEATED, LIGHTED AND POWER), P. 9

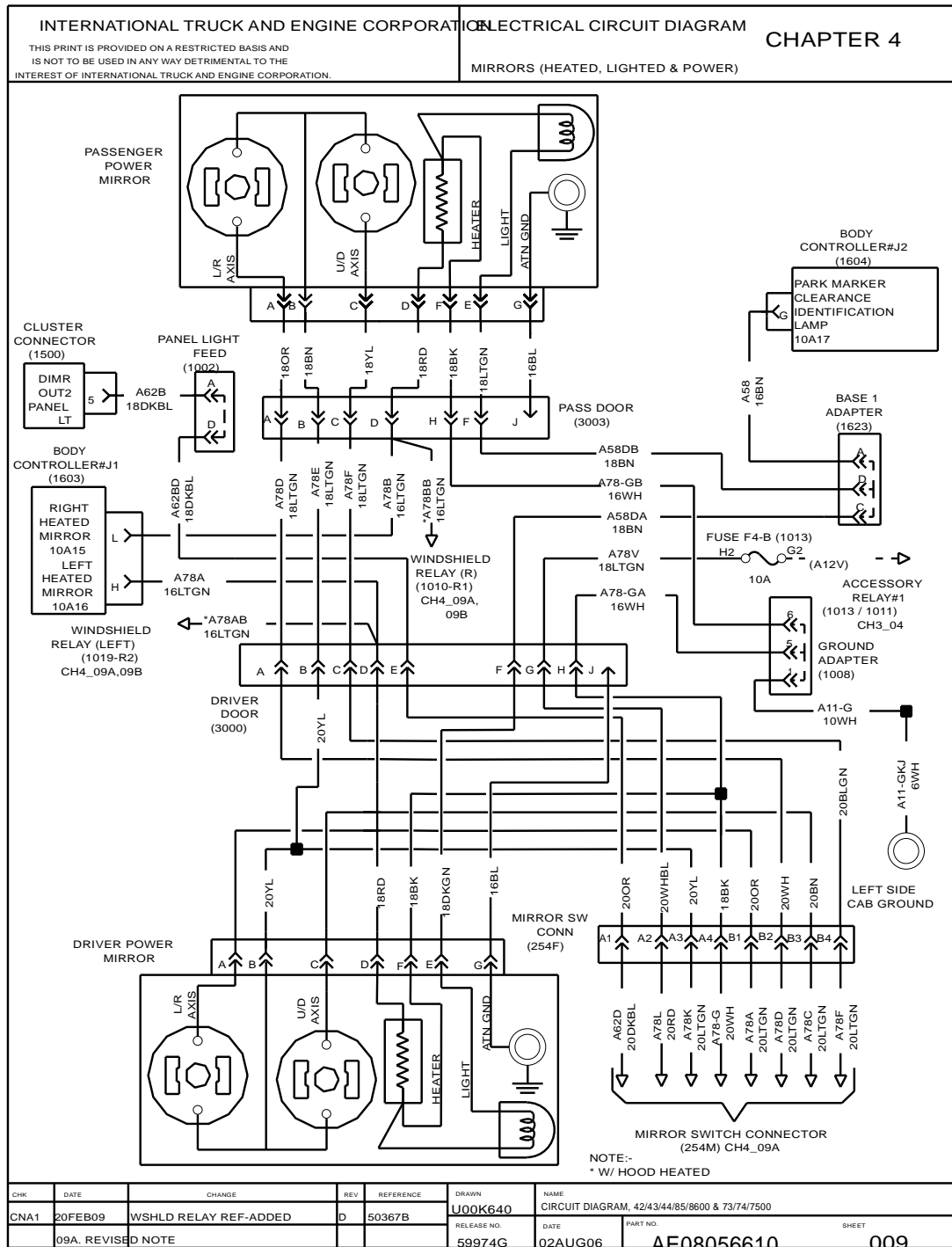


Figure 57 Mirrors (Heated, Lighted and Power)

4.10. MIRRORS (HEATED, LIGHTED AND POWER) (CONT.), P. 9A

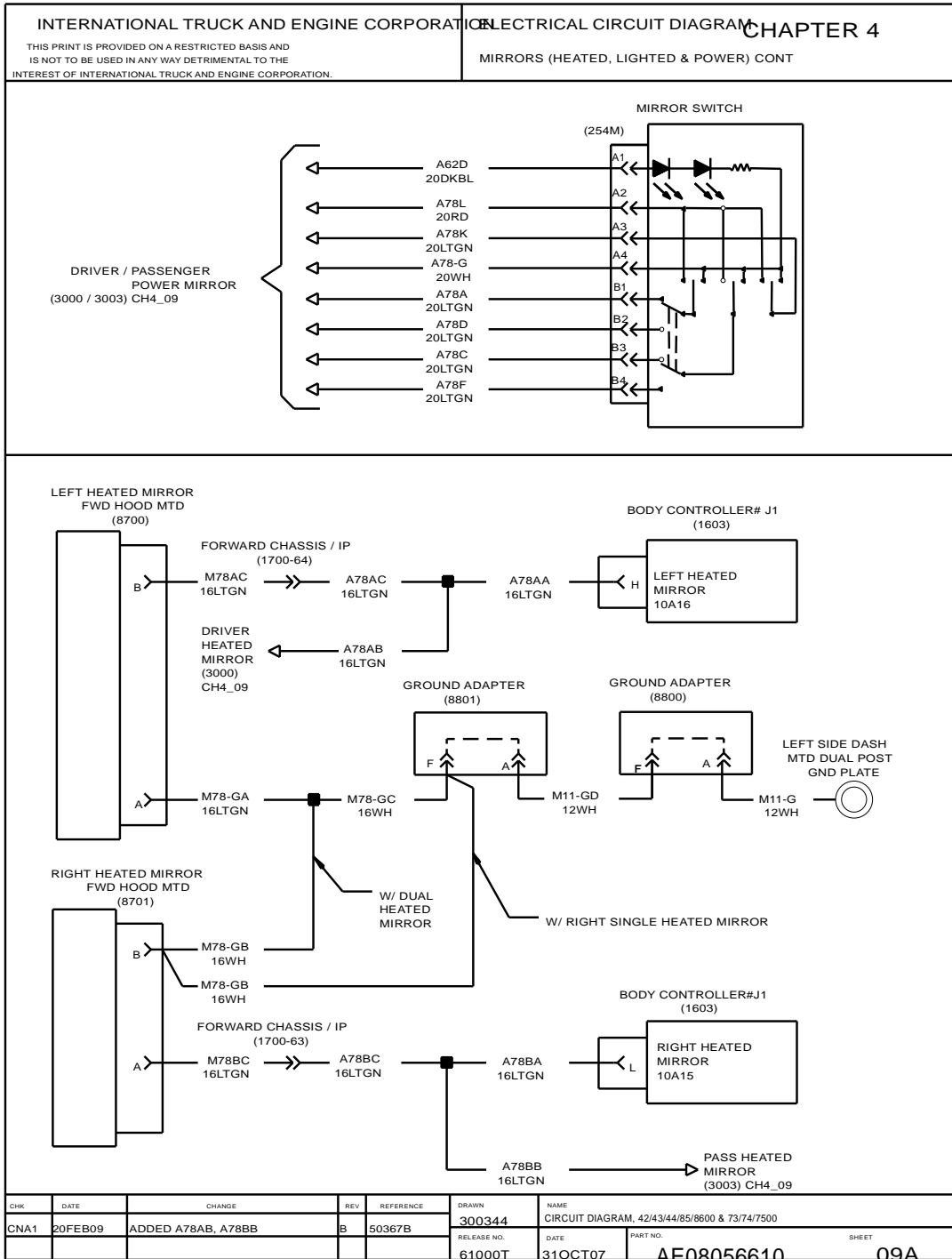


Figure 58 Mirrors (Heated, Lighted and Power) (Cont.)

4.11. DUAL HEATED MOTORIZED MIRRORS WITH HEATED WINDSHIELD, WITHOUT HYD FPB, P. 9B

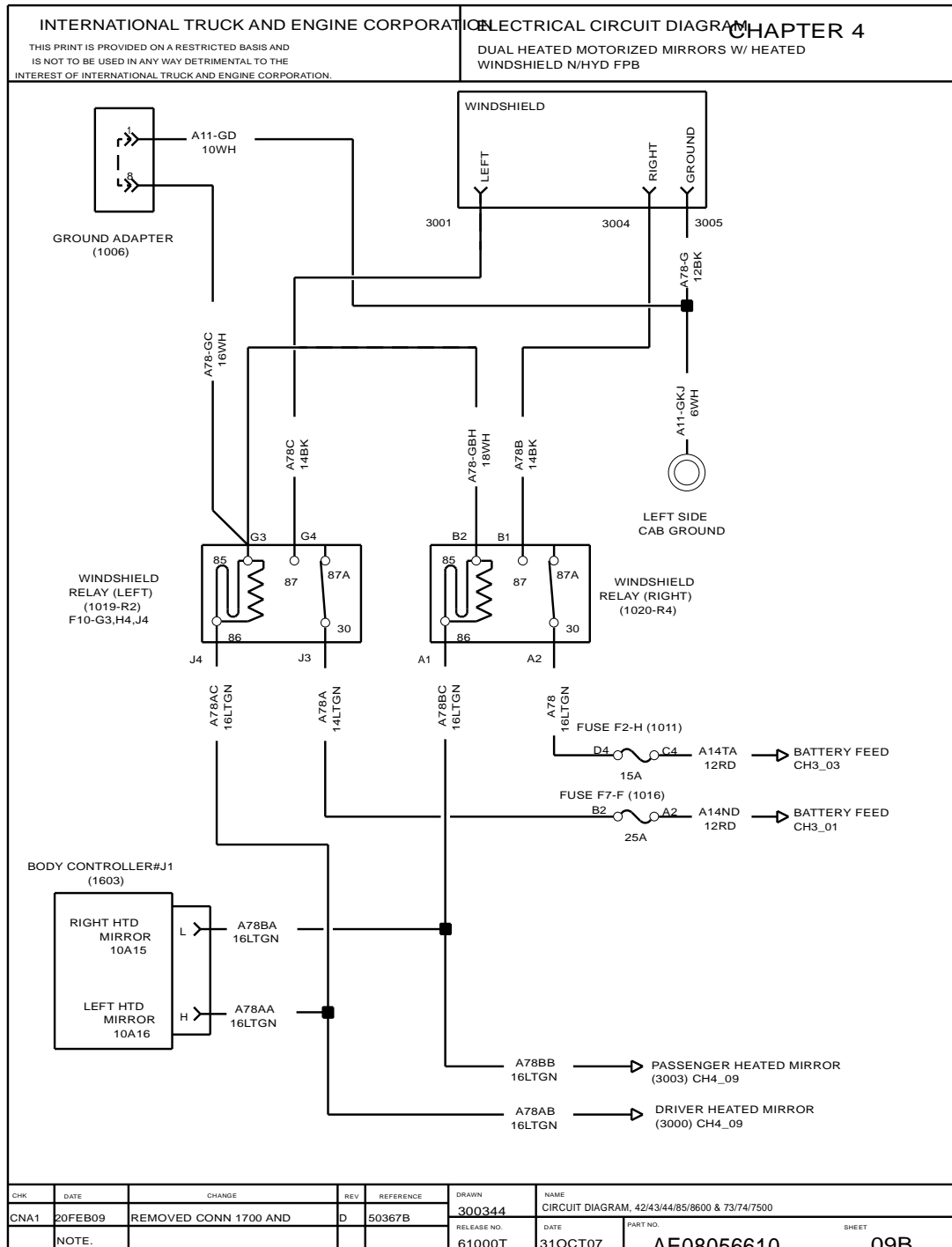


Figure 59 Dual Heated Motorized Mirrors with Heated Windshield, without Hyd FPB

4.12. DUAL HEATED MOTORIZED MIRRORS WITH HEATED WINDSHIELD, WITH HYD FPB, P. 9C

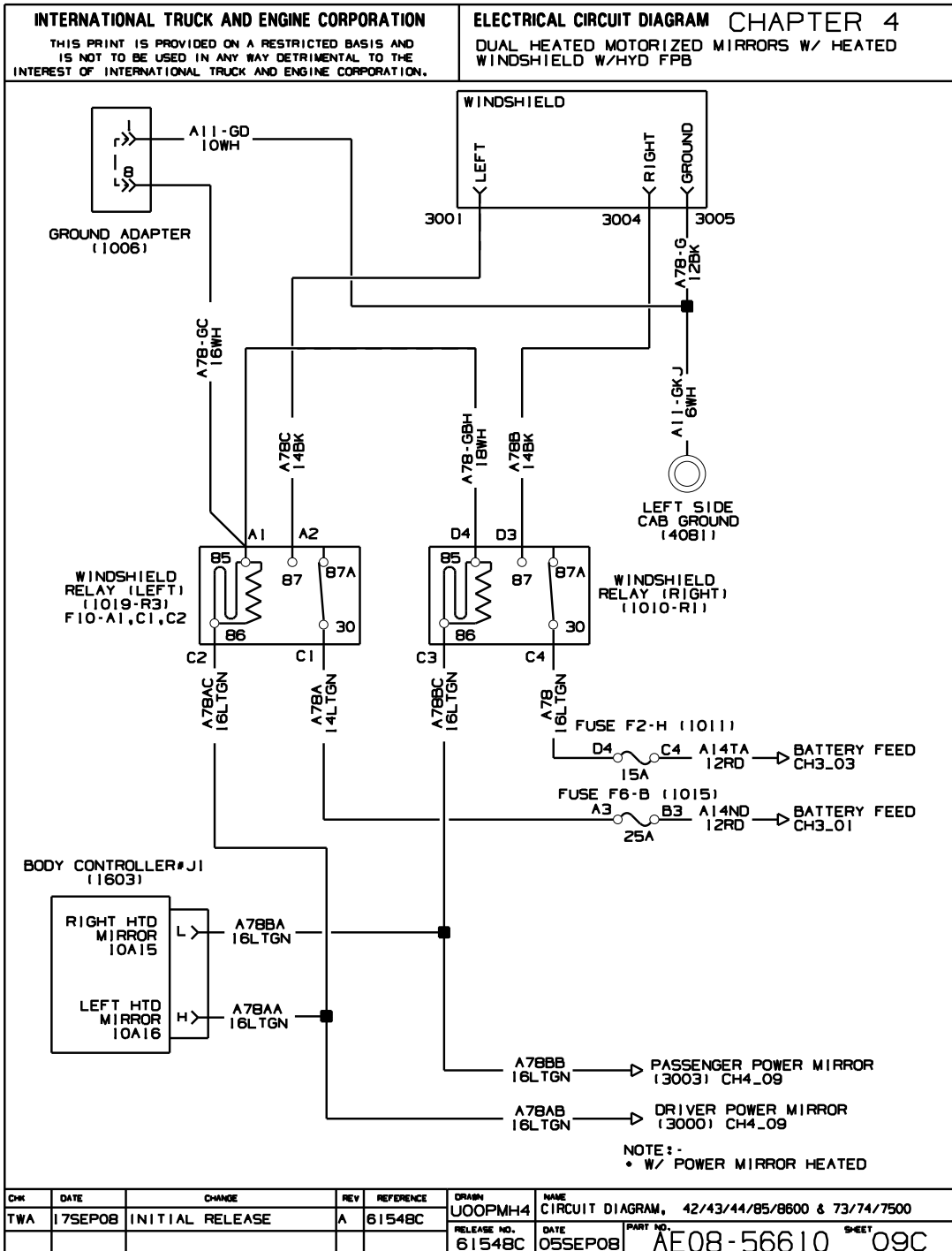


Figure 60 Dual Heated Motorized Mirrors with Heated Windshield, with Hyd FPB



4.13. RADIO (ENTERTAINMENT), SPEAKERS WITH 12 WAY CONN, P. 10

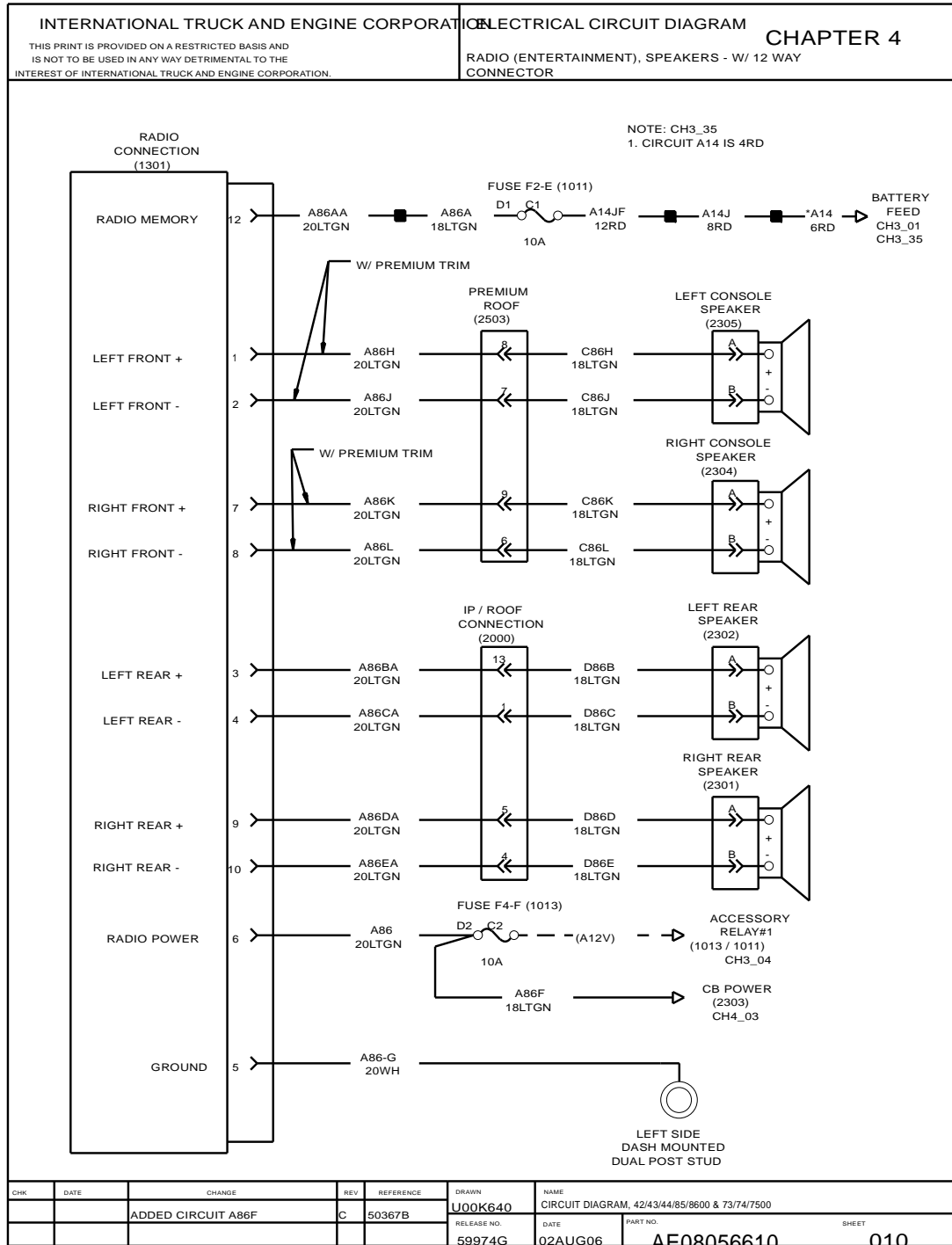


Figure 61 Radio (Entertainment), Speakers with 12 Way Conn

4.14. RADIO (ENTERTAINMENT), SPEAKERS WITH 16 WAY CONN, P. 11

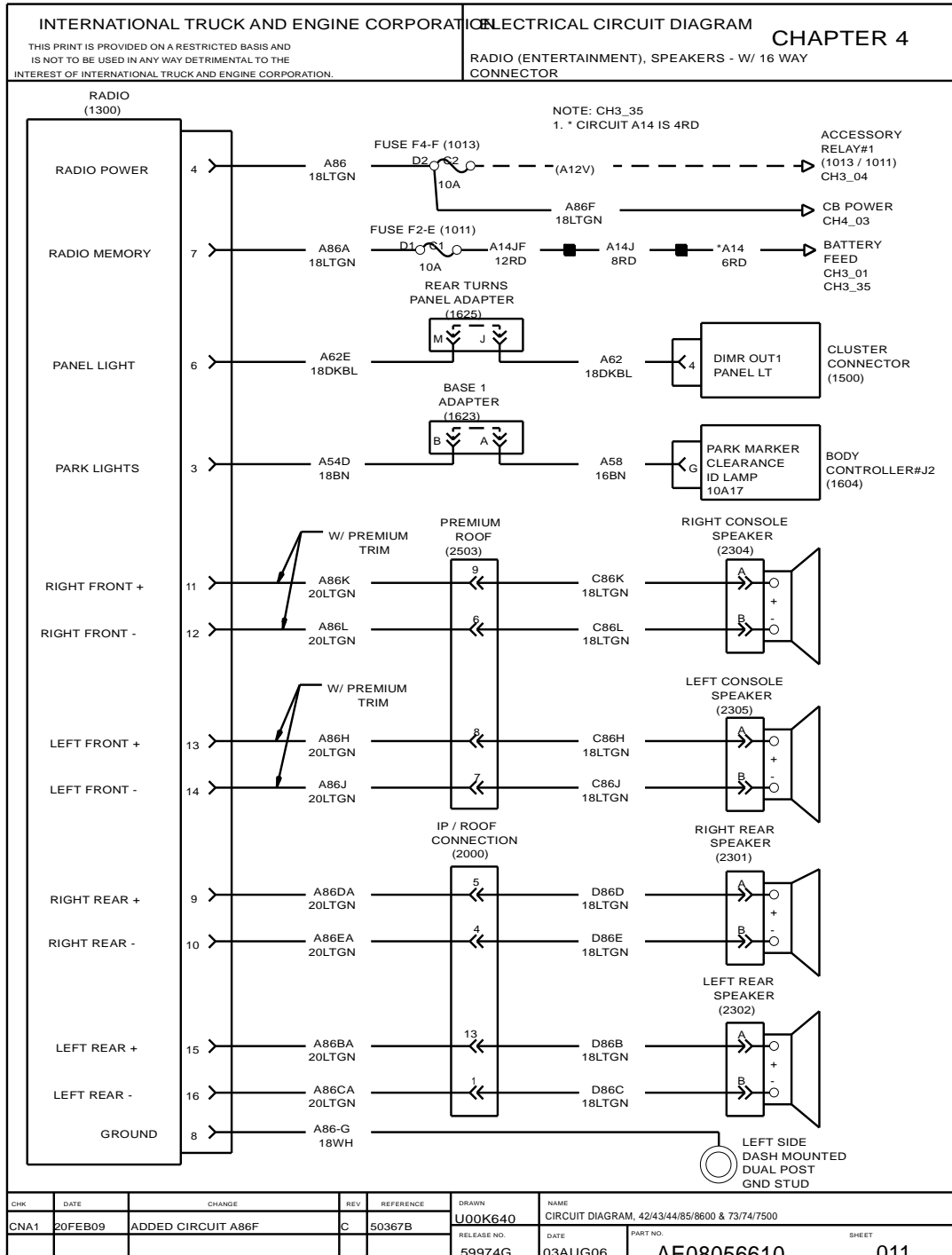


Figure 62 Radio (Entertainment), Speakers with 16 Way Connector

4.15. 2-WAY RADIO, P. 12

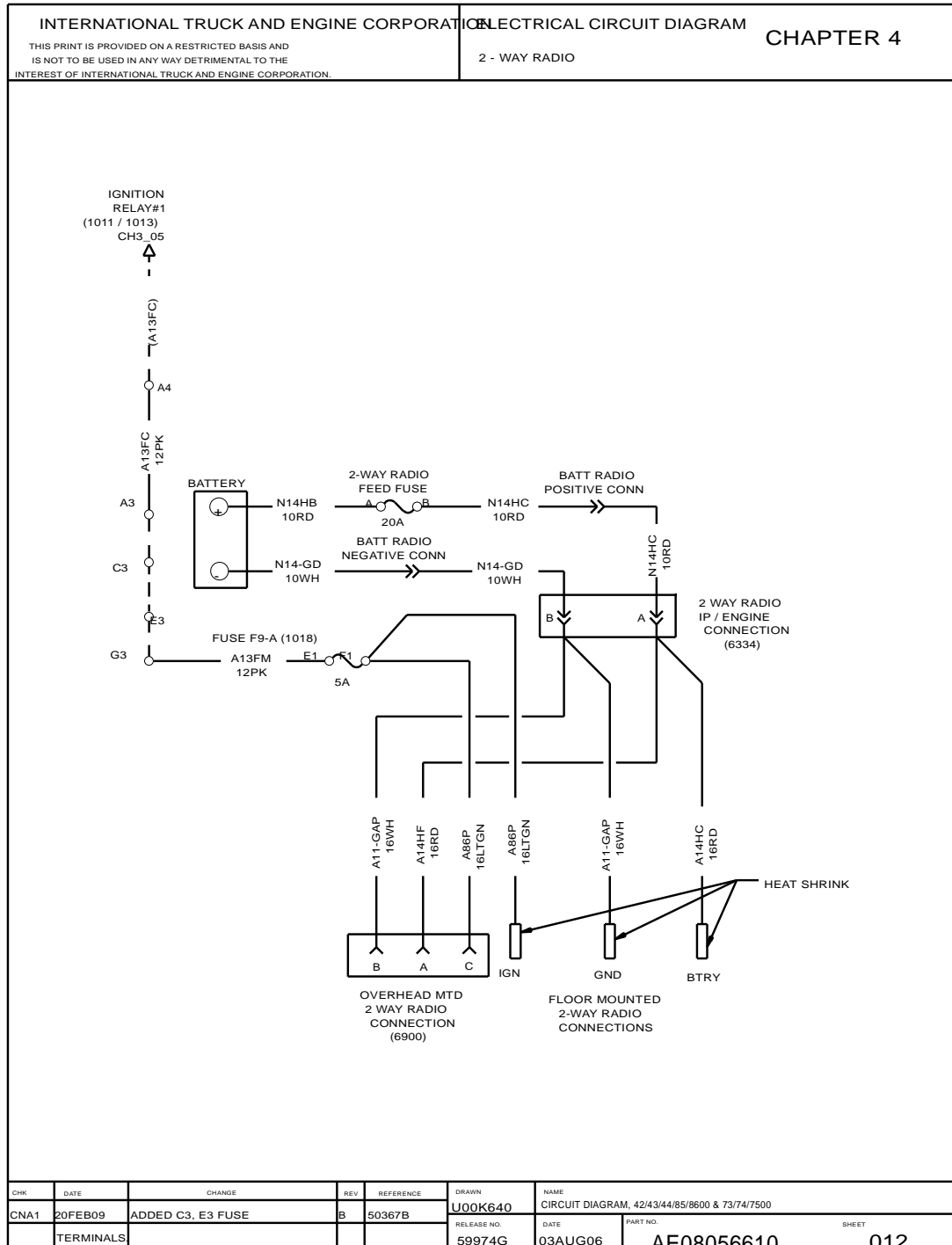


Figure 63 2-Way Radio

4.16. WINDSHIELD WIPER, P. 13

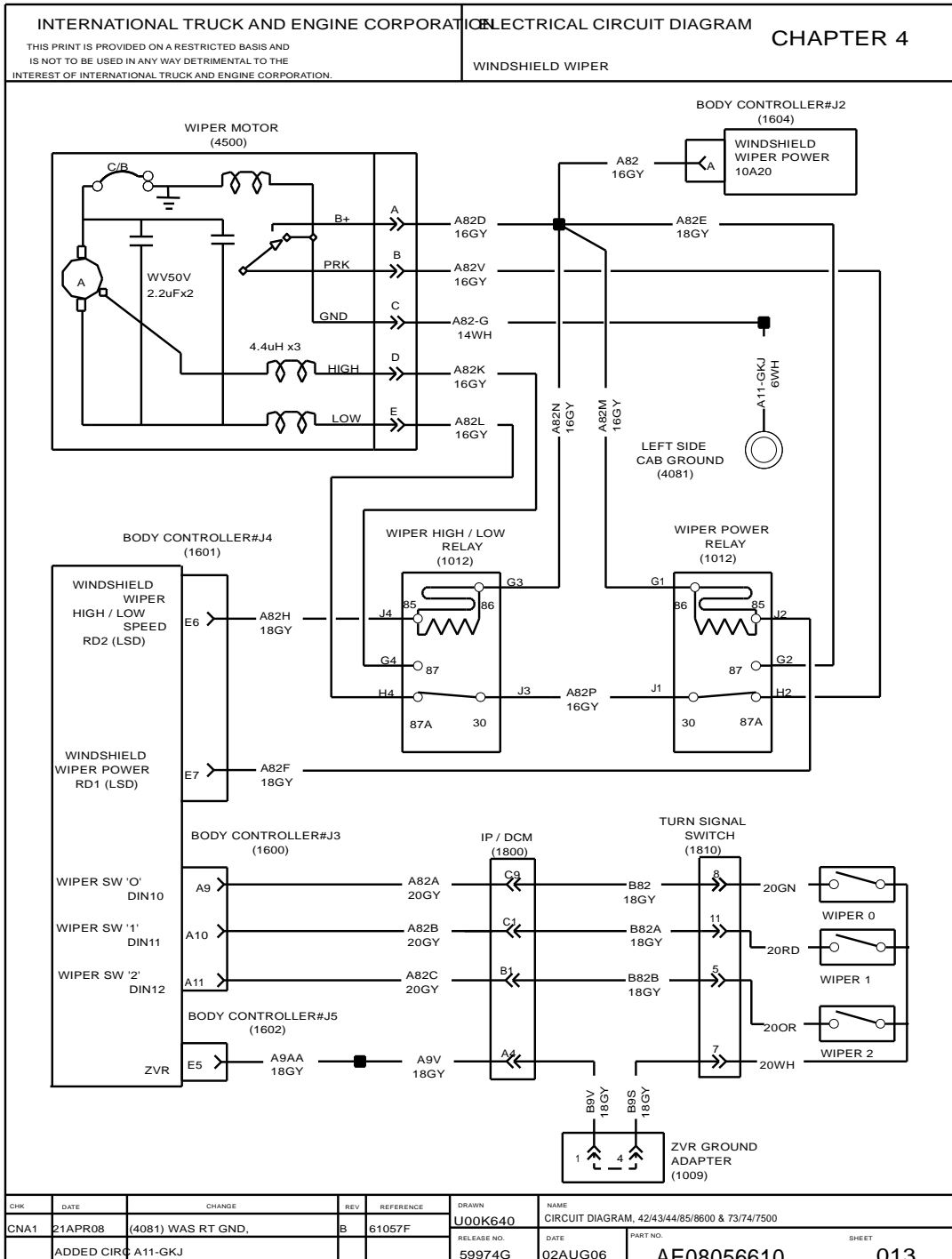


Figure 64 Windshield Wiper

4.17. WASHER PUMP, P. 14

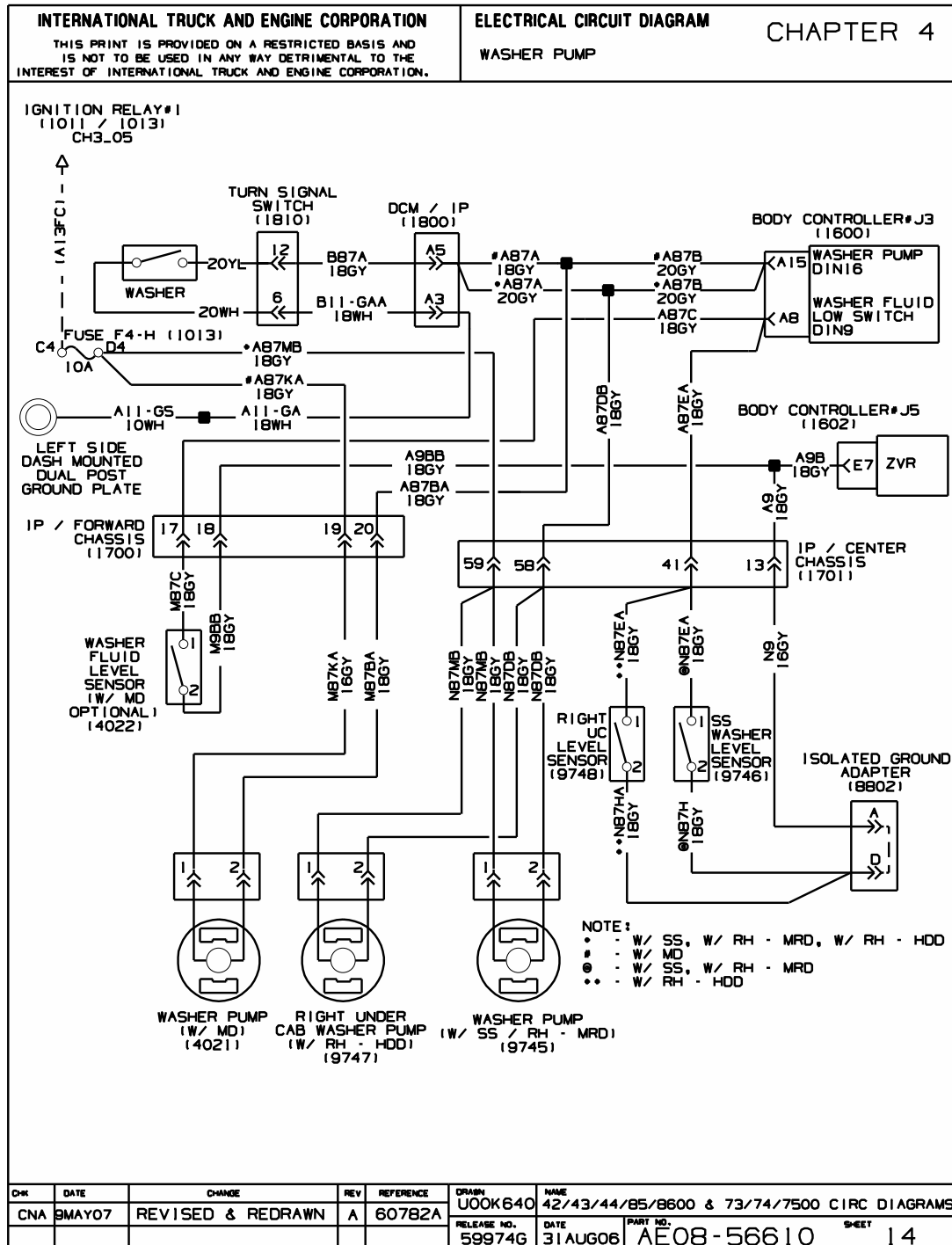


Figure 65 Washer Pump

4.18. SWITCH PACK OPTIONAL GAUGE PACK, P. 15

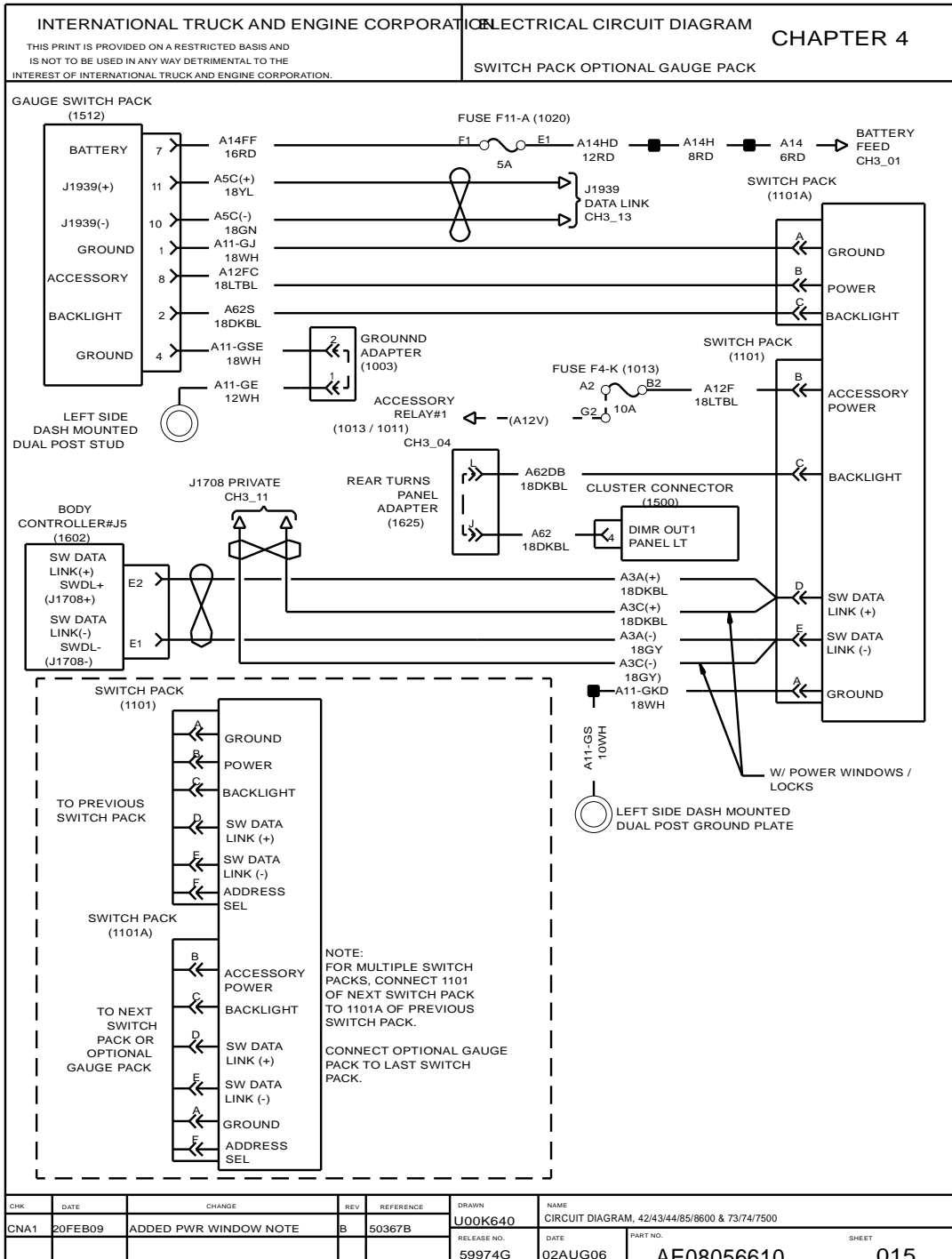


Figure 66 Switch Pack Optional Gauge Pack

4.19. ROOF AUXILIARY LOAD, P. 16

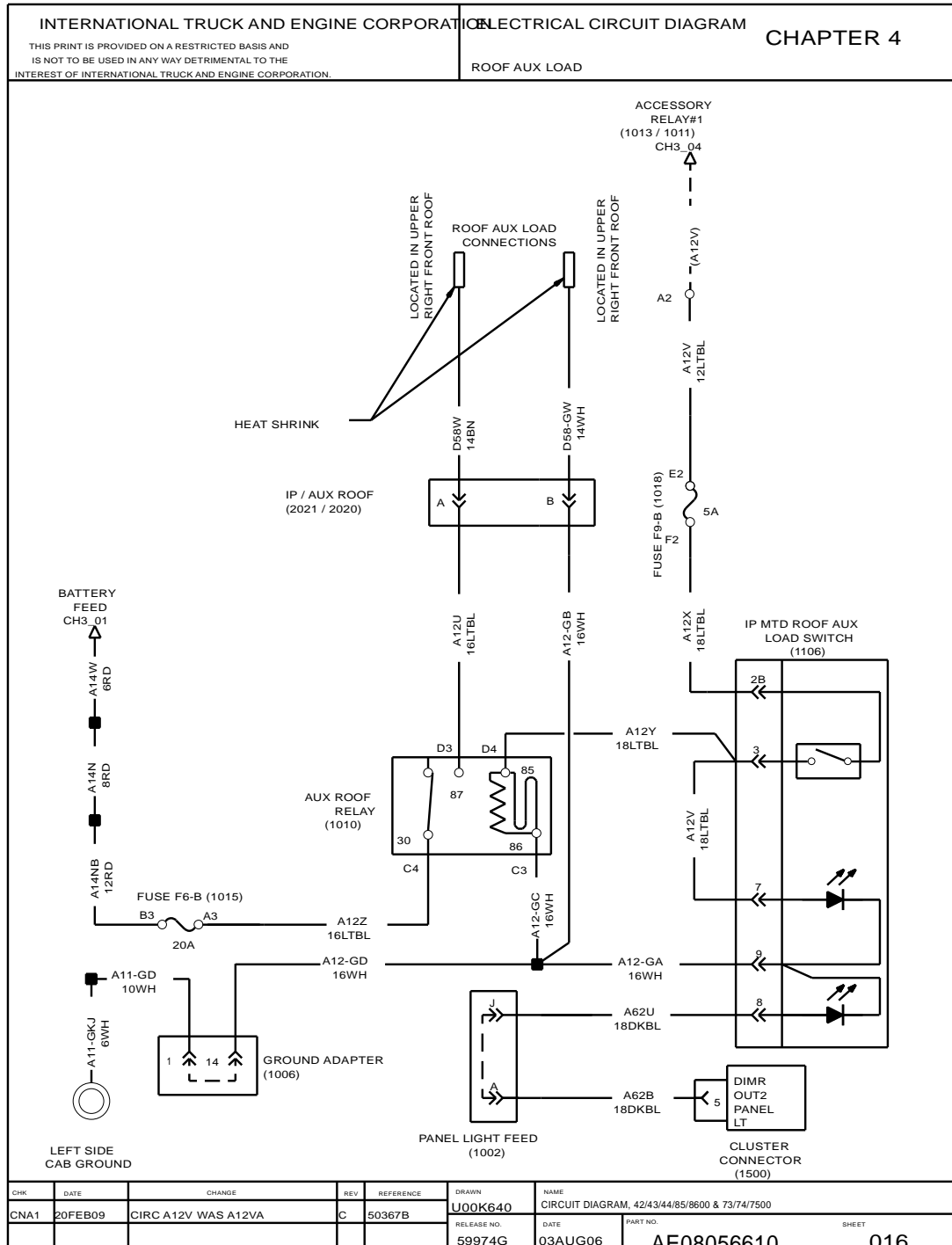


Figure 67 Roof Auxiliary Load

4.20. SATELLITE COMMUNICATION – QUALCOMM IMCT, P. 17

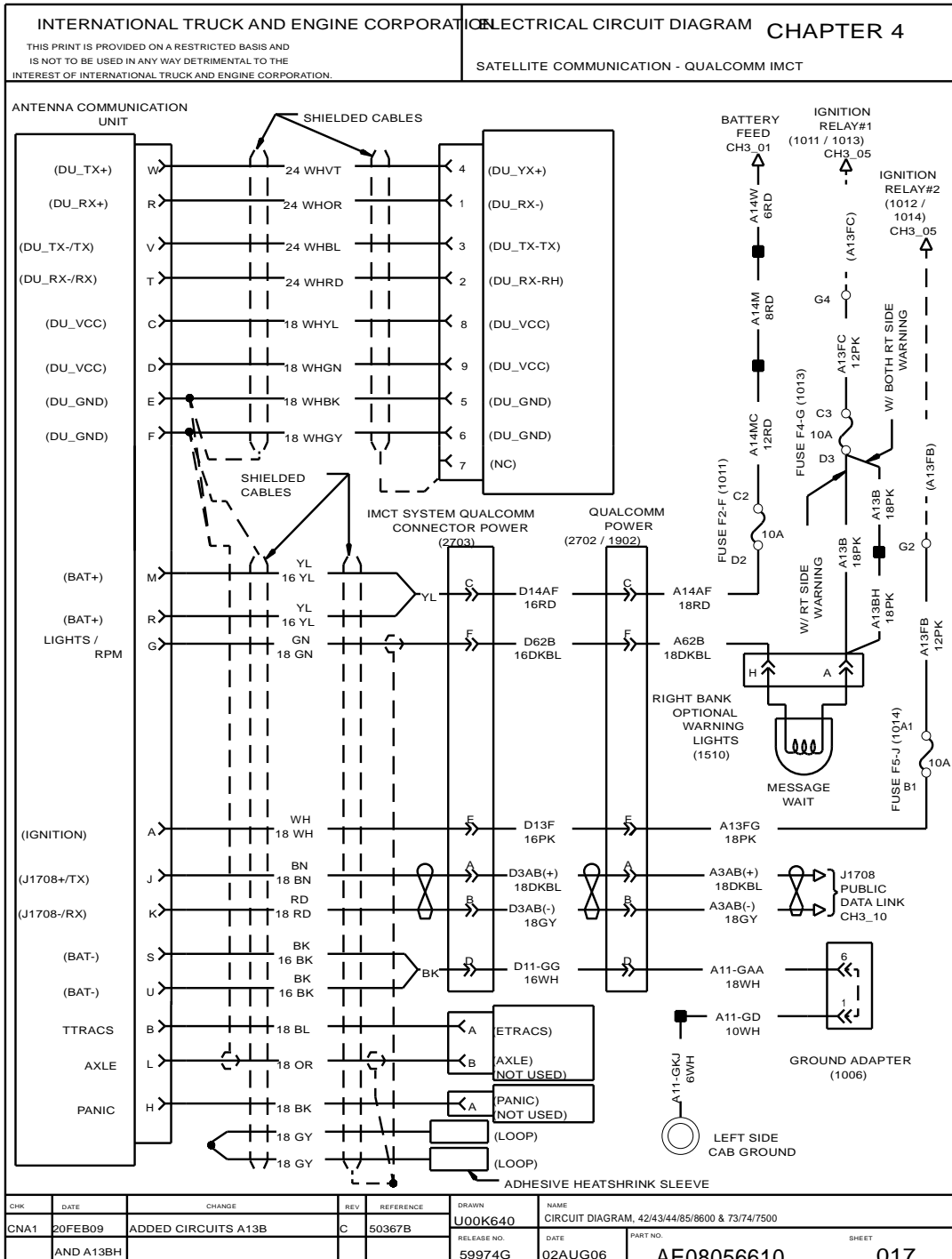


Figure 68 Satellite Communication – Qualcomm IMCT



4.21. SATELLITE COMMUNICATION – TRIPMASTER, P. 18

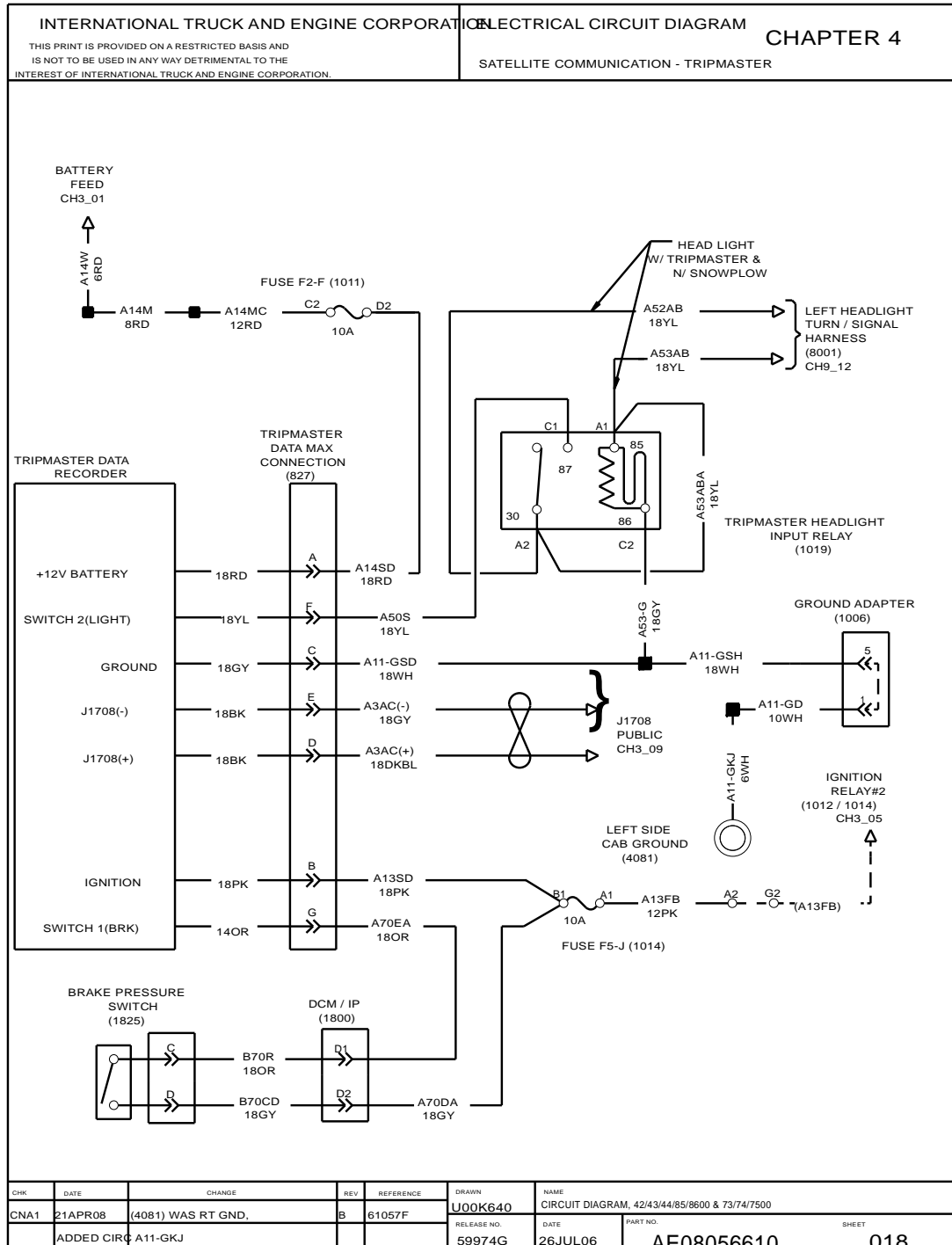


Figure 69 Satellite Communication – Tripmaster

4.22. COMPUTER PREWIRED – XATA SYSTEM, P. 19

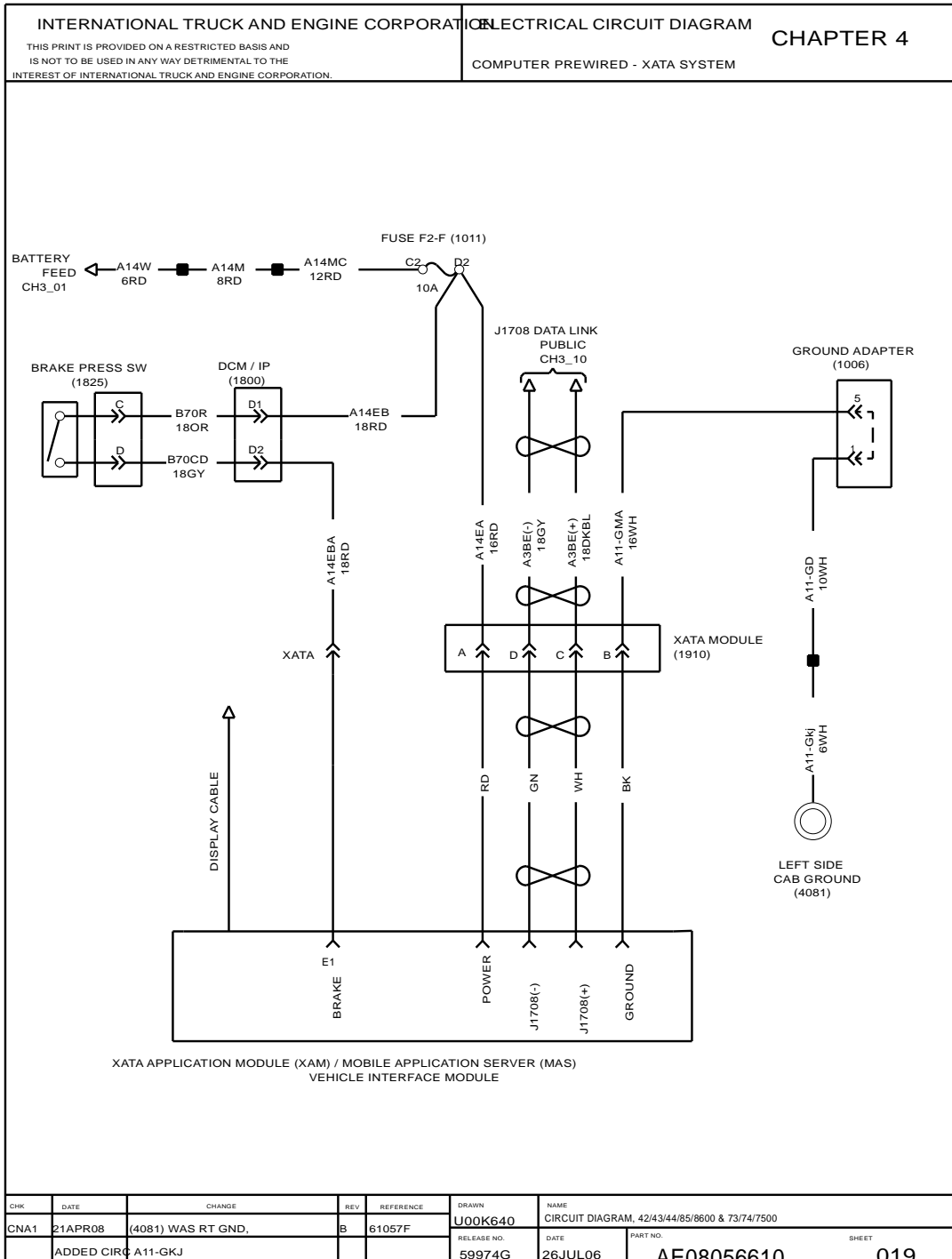


Figure 70 Computer Prewired – XATA System

4.23. CADEC GPS SYSTEM, P. 20

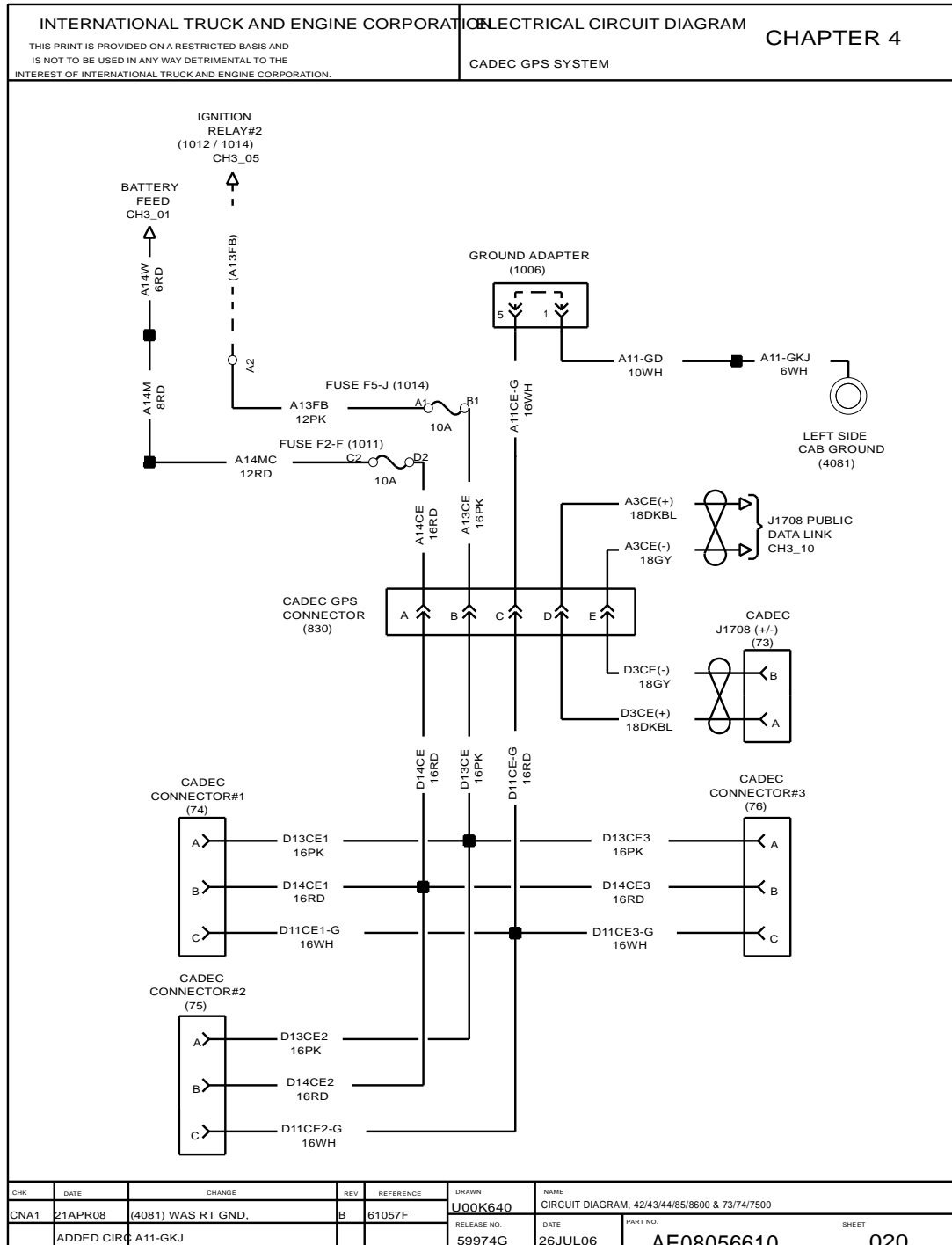


Figure 71 Cadec GPS System

4.24. SATELLITE COMMUNICATION – MOBILEMAX, P. 21

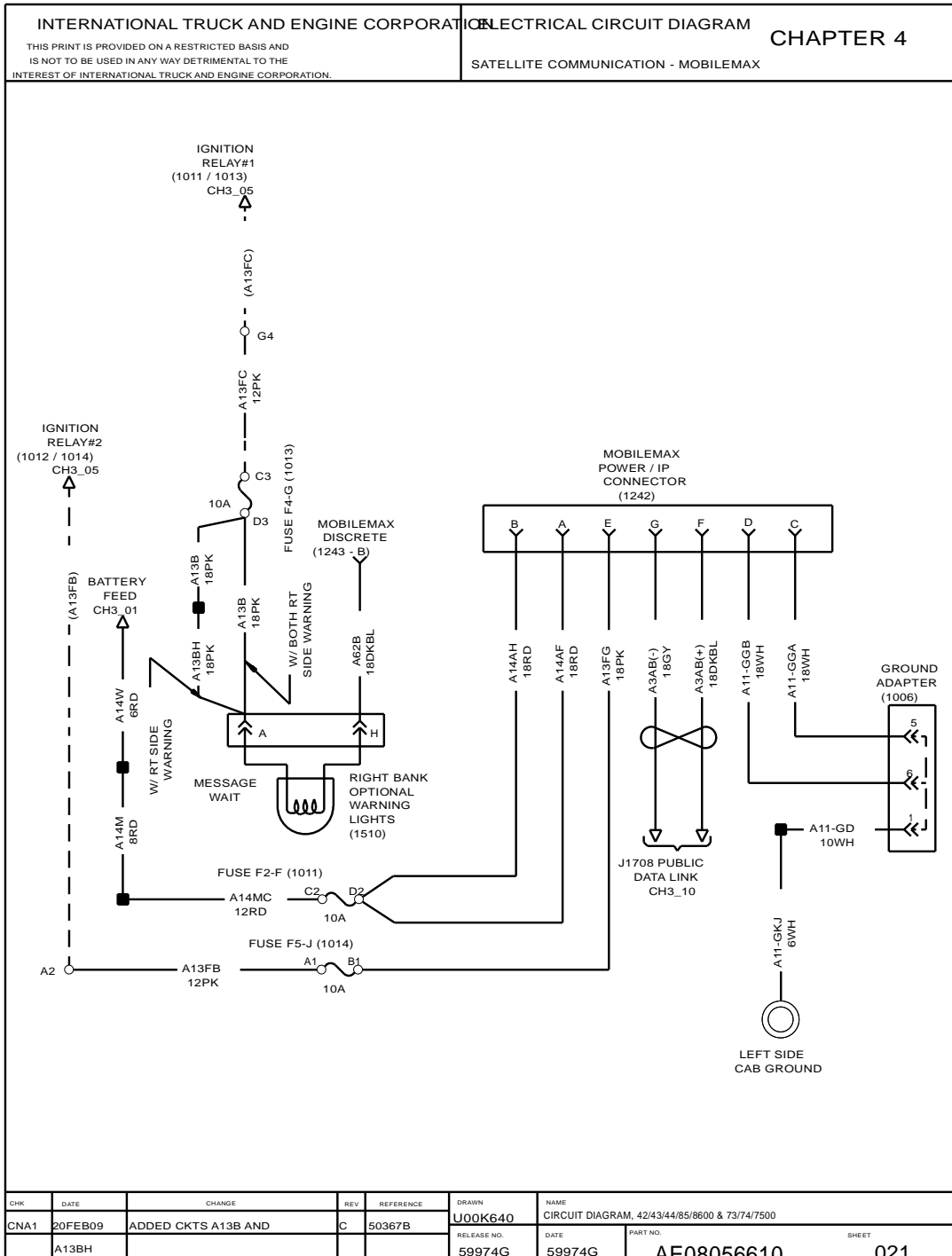


Figure 72 Satellite Communication – MobileMax

4.25. SELF CONTAINED AIR SEAT, P. 22

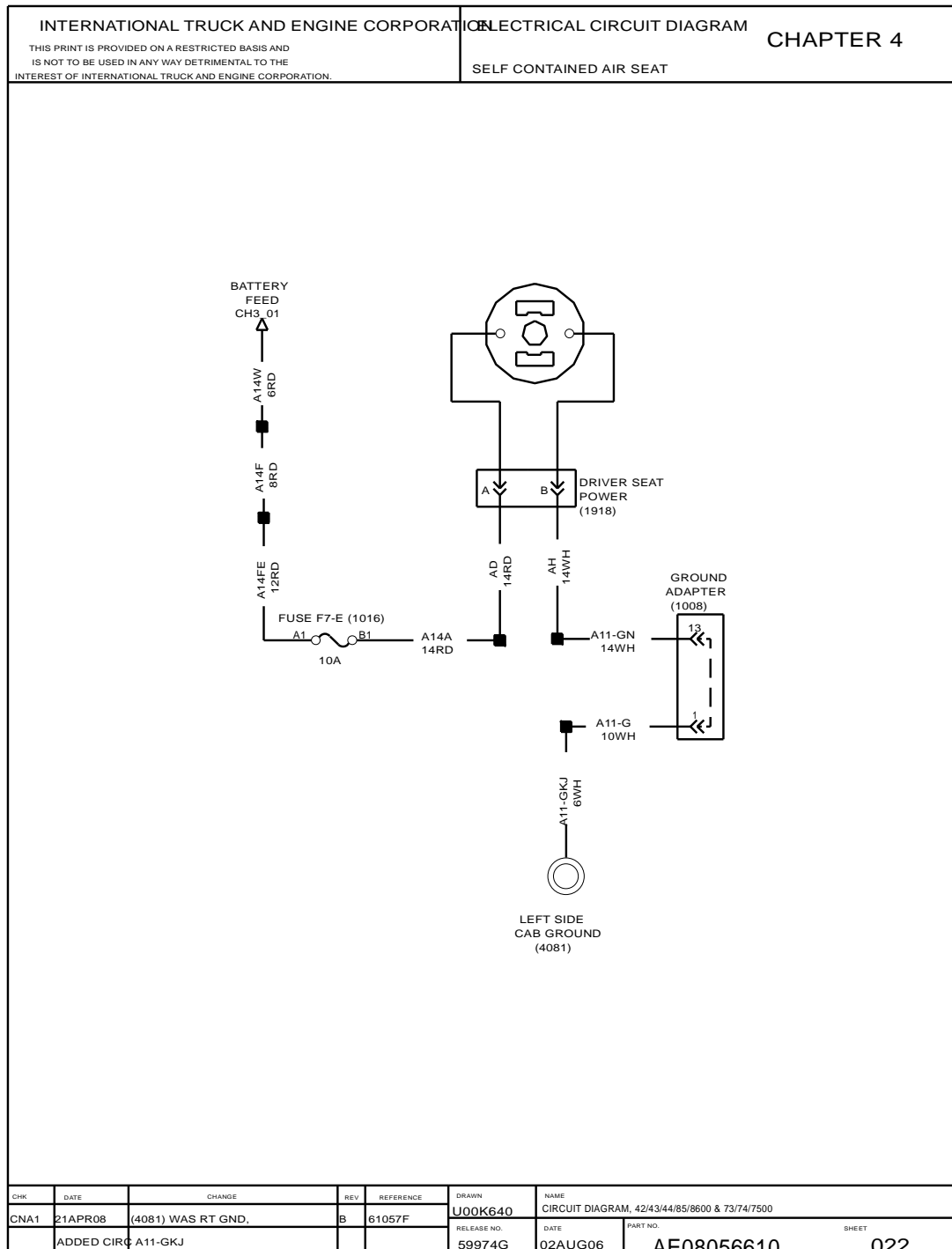


Figure 73 Self Contained Air Seat

4.26. HEATED SEATS, P. 23

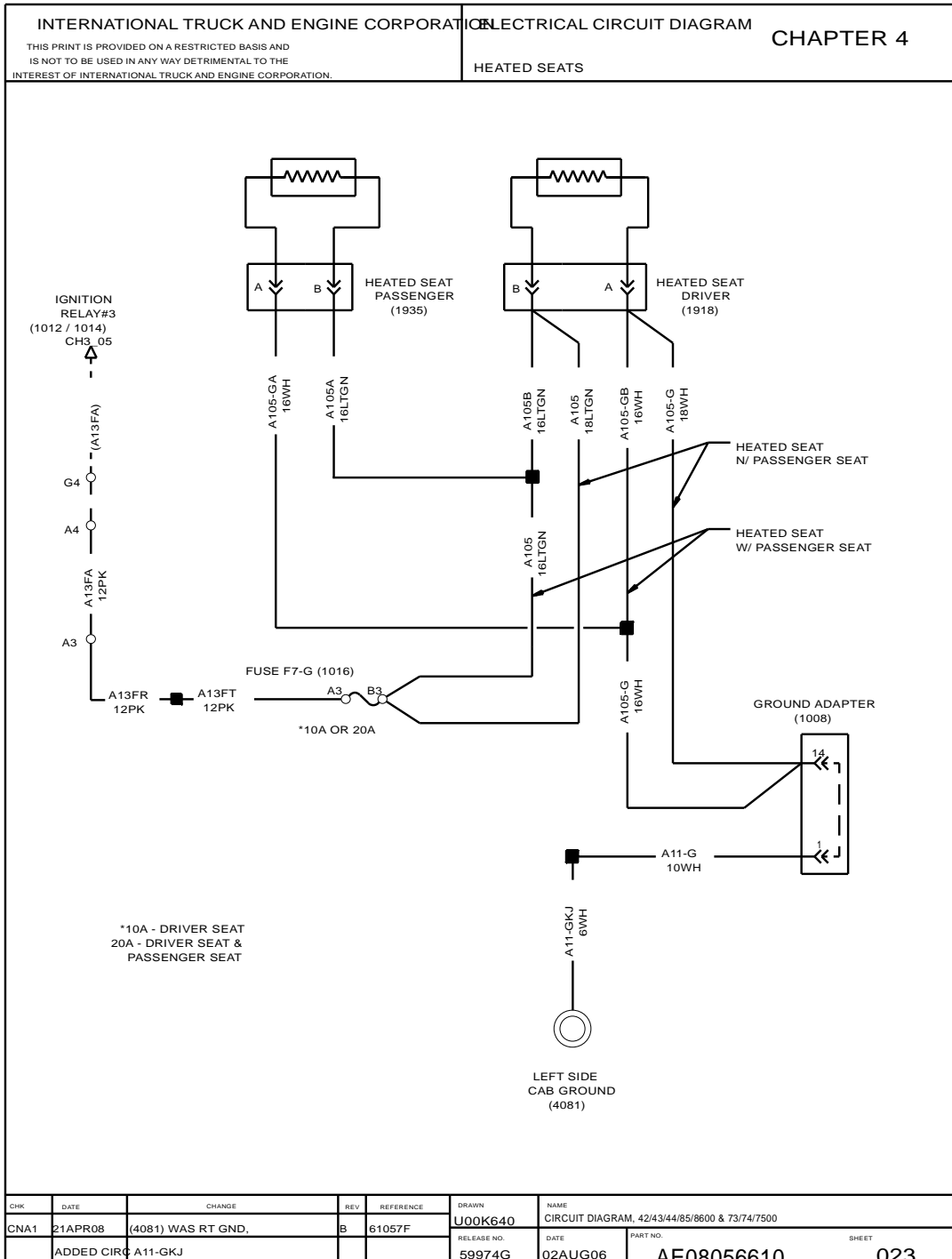


Figure 74 Heated Seats

4.27. AWARE SYSTEM, P. 24

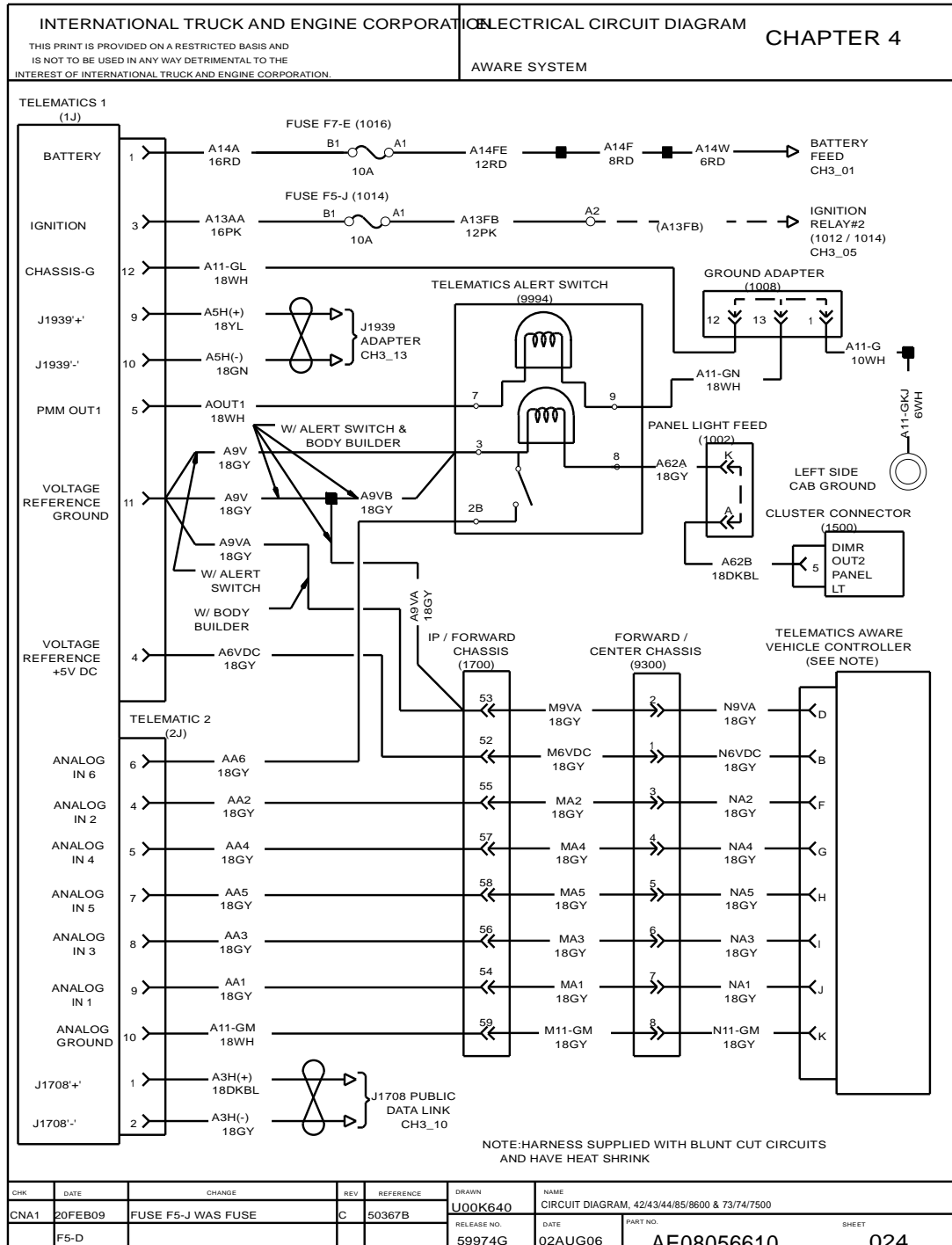


Figure 75 Aware System

4.28. EATON VORAD COLLISION AVOIDANCE SYSTEM, P. 25

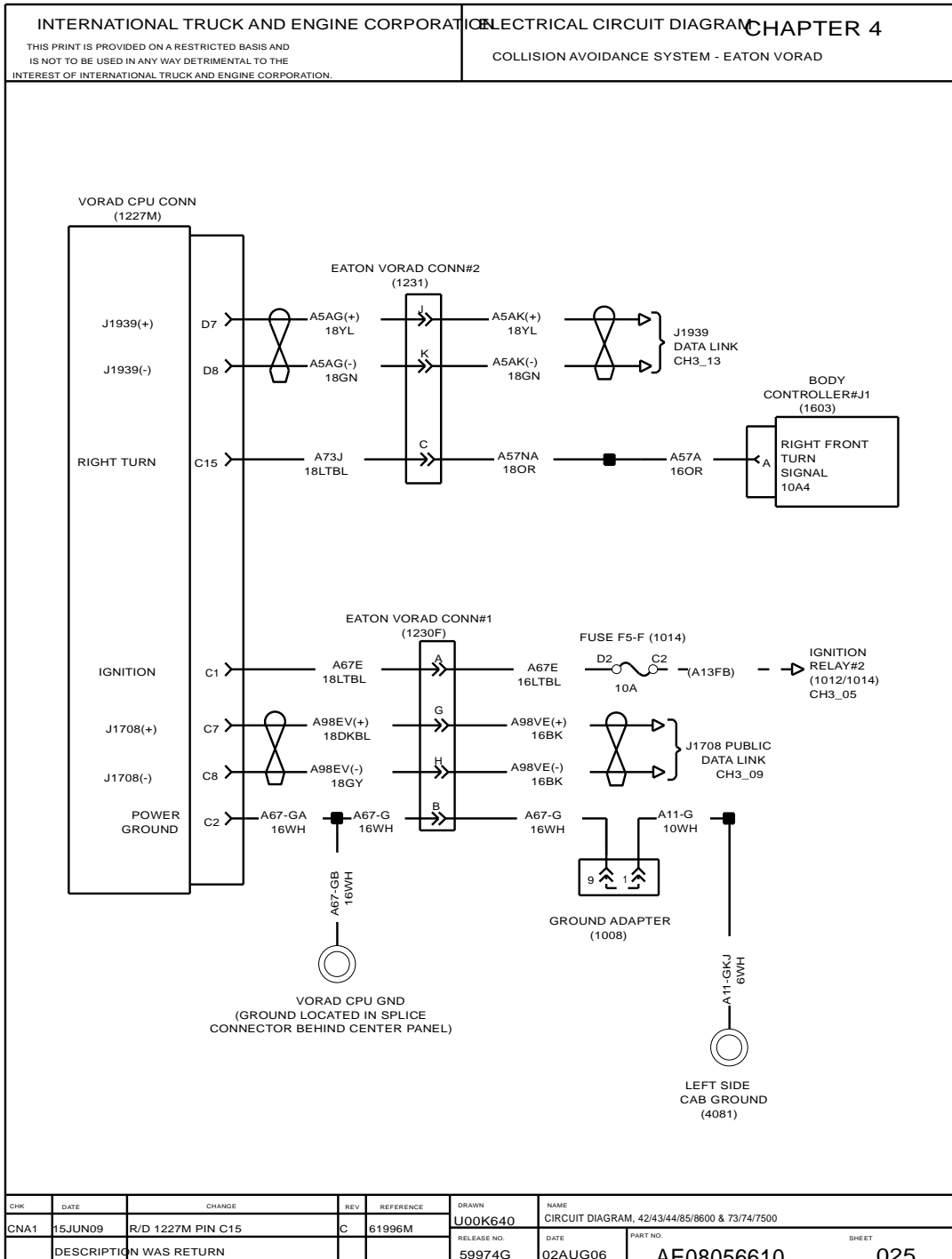


Figure 76 Eaton Vorad Collision Avoidance System



4.29. EATON VORAD COLLISION AVOIDANCE SYSTEM (CONT.), P. 26

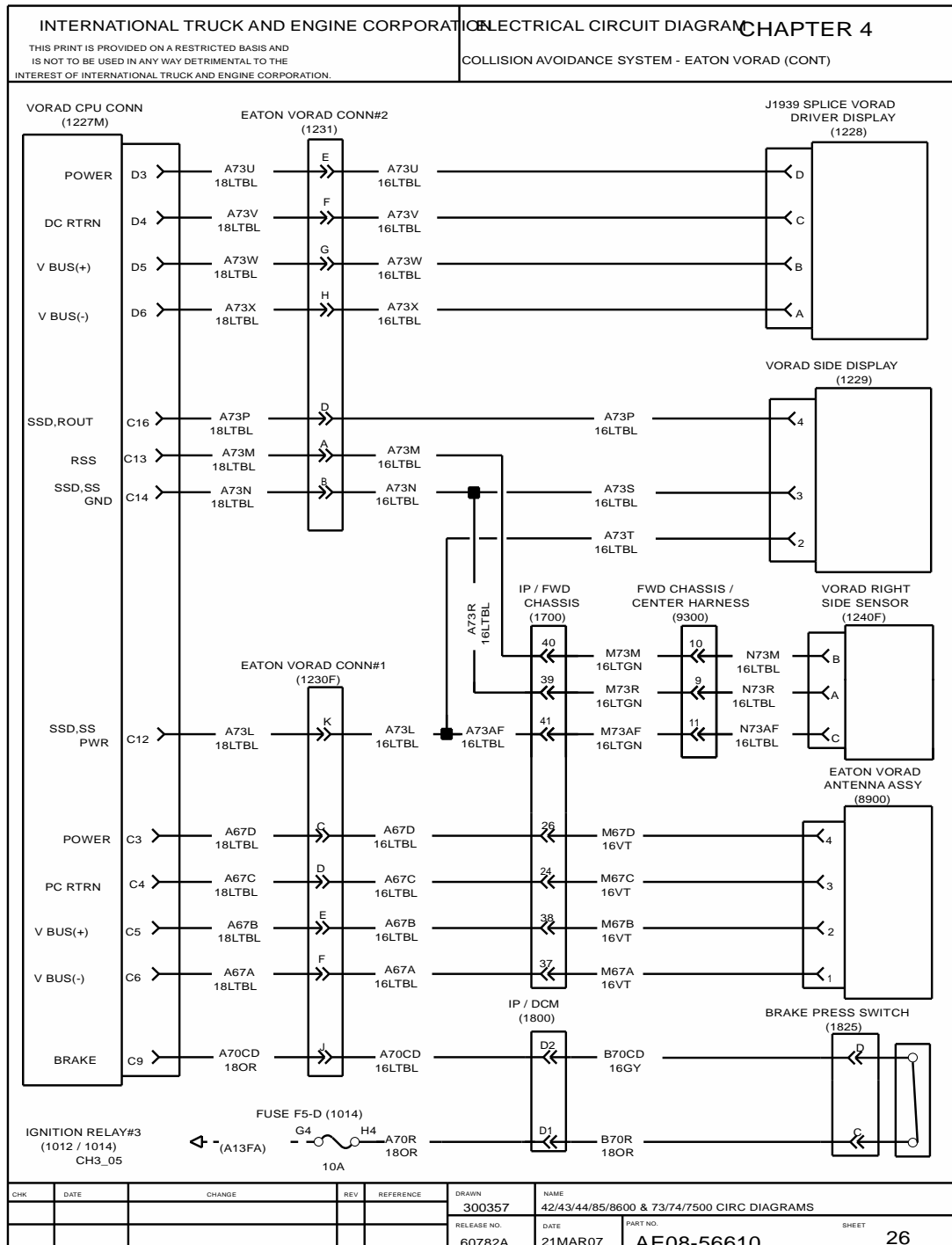


Figure 77 Eaton Vorad Collision Avoidance System (Cont.)

4.30. DRIVER DISPLAY, P. 27

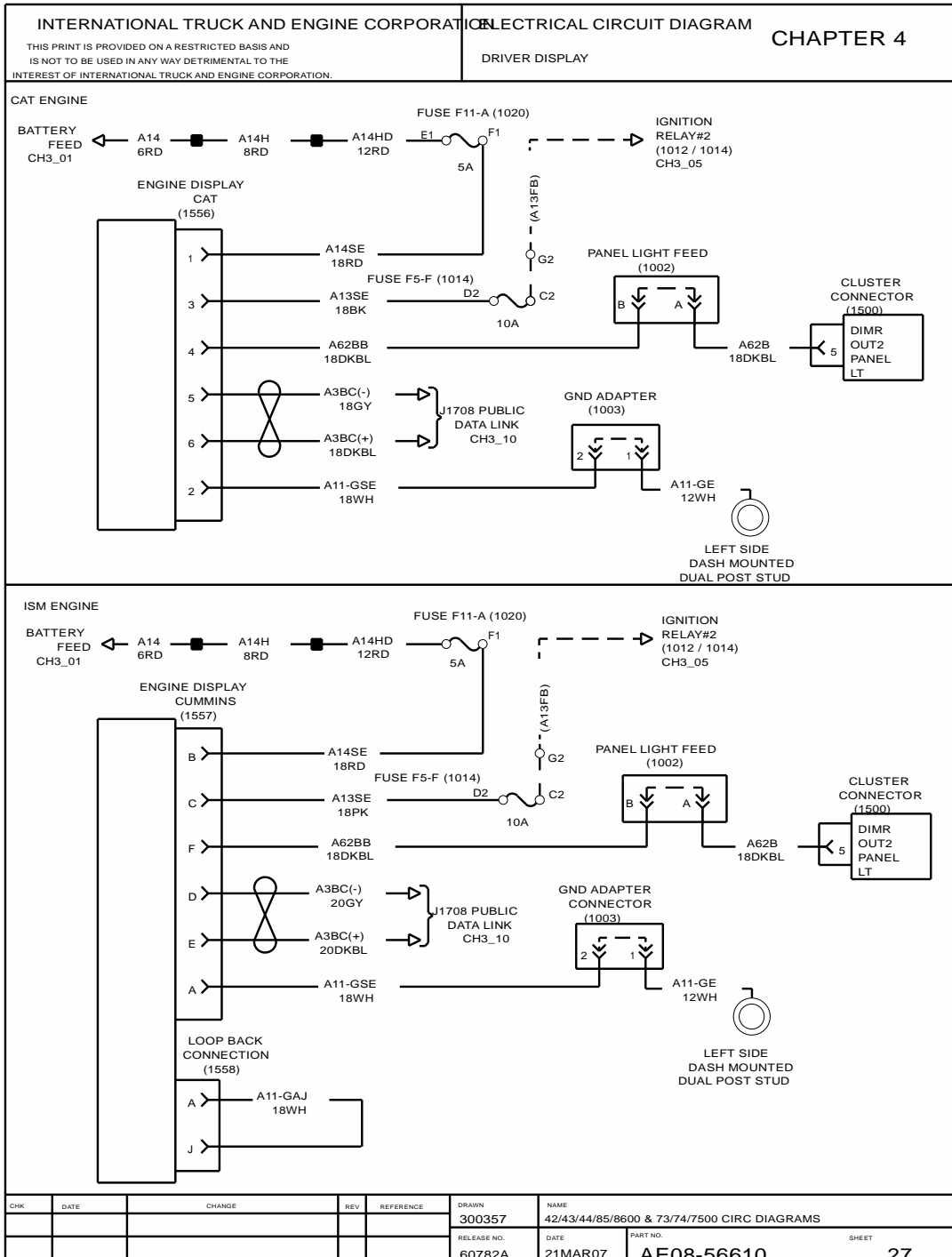


Figure 78 Driver Display

4.31. BACK-UP CAMERA, P. 28

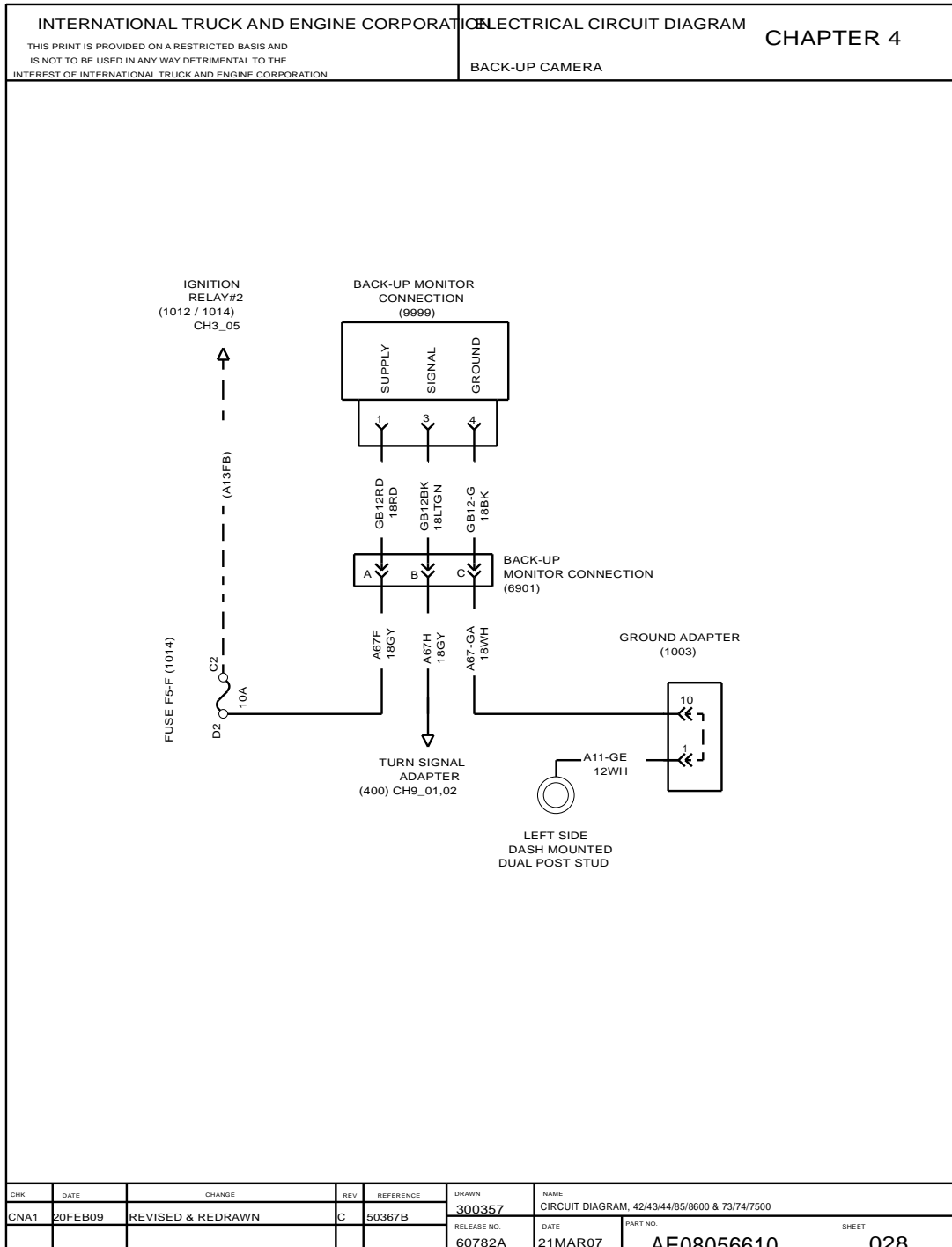


Figure 79 Back-Up Camera

4.32. SATELLITE COMMUNICATION – QUALCOMM MCT, P. 29

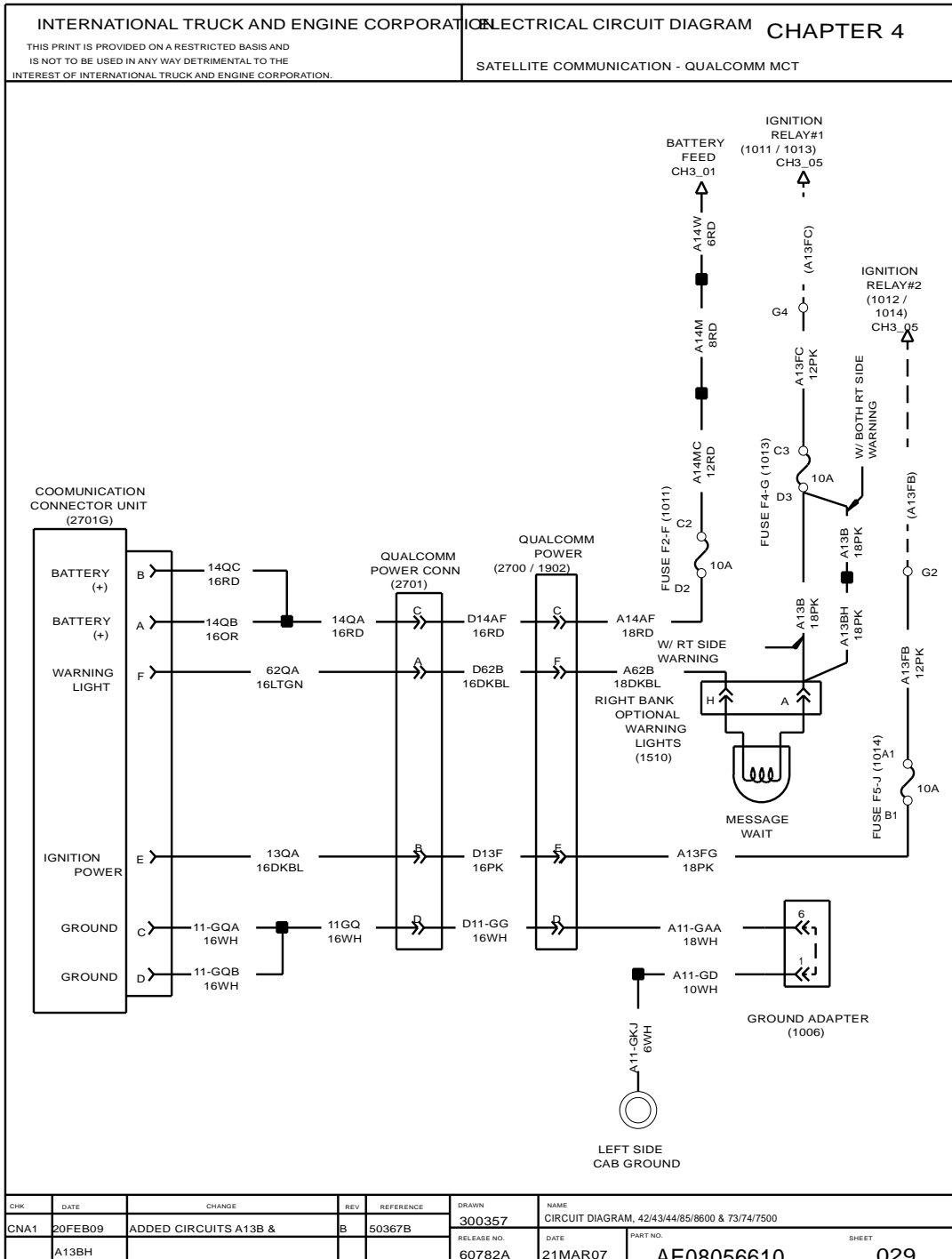


Figure 80 Satellite Communication – Qualcomm MCT

4.33. SATELLITE COMMUNICATION – QUALCOMM IMCT WITH MVPC KEYBOARD,  
P. 30

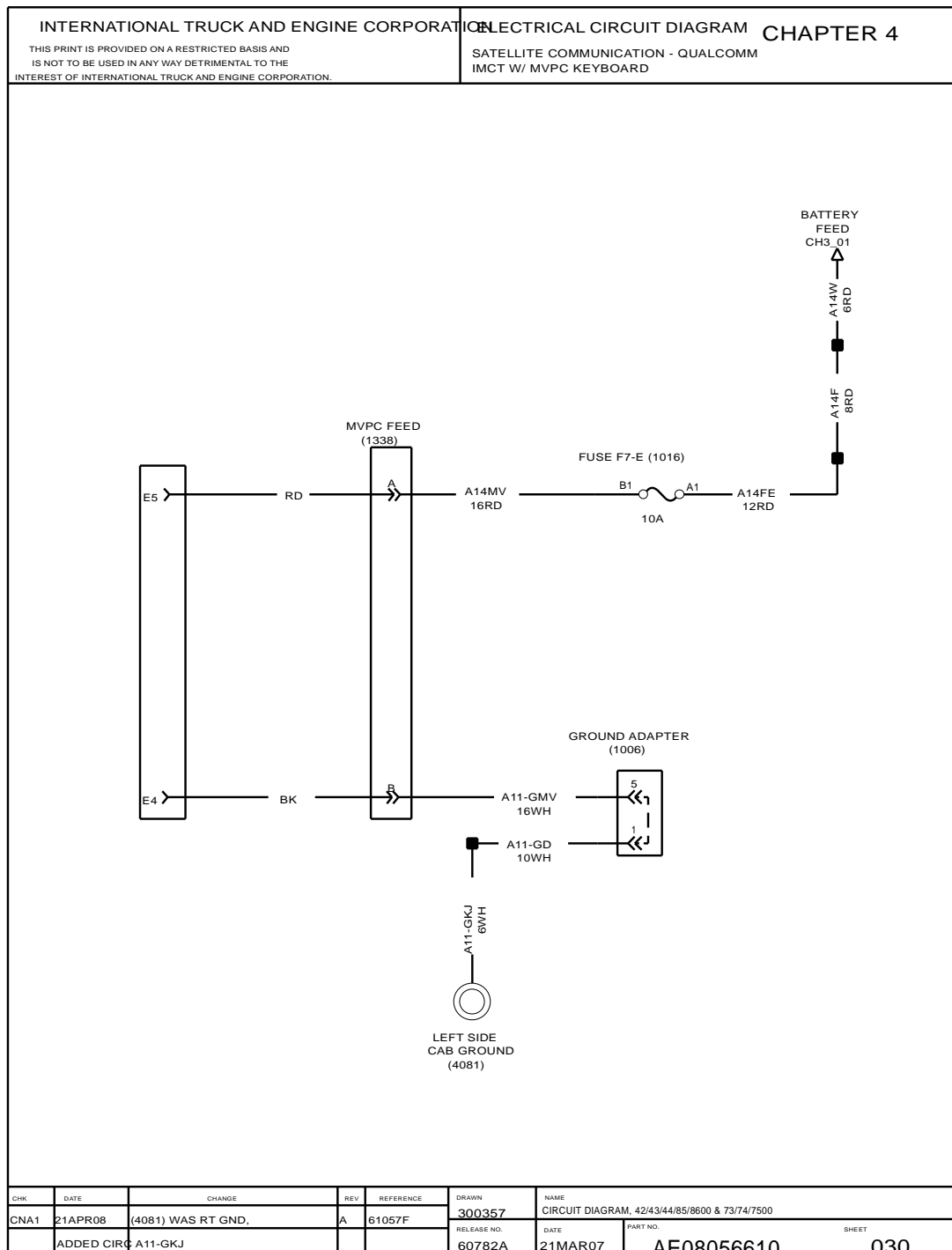


Figure 81 Satellite Communication – Qualcomm IMCT with MVPC Keyboard

4.34. SATELLITE COMMUNICATION – QUALCOMM TMCT, P. 31

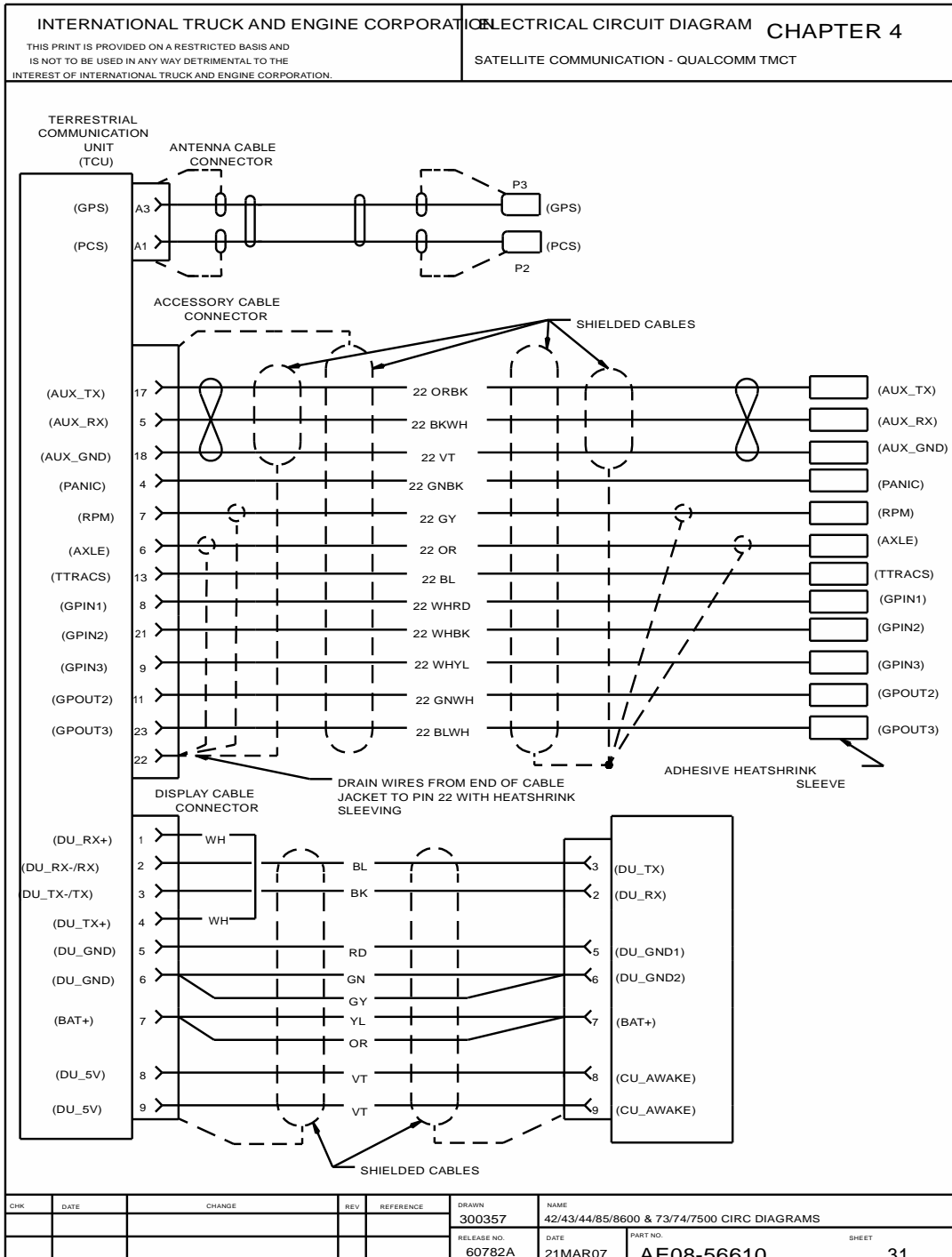
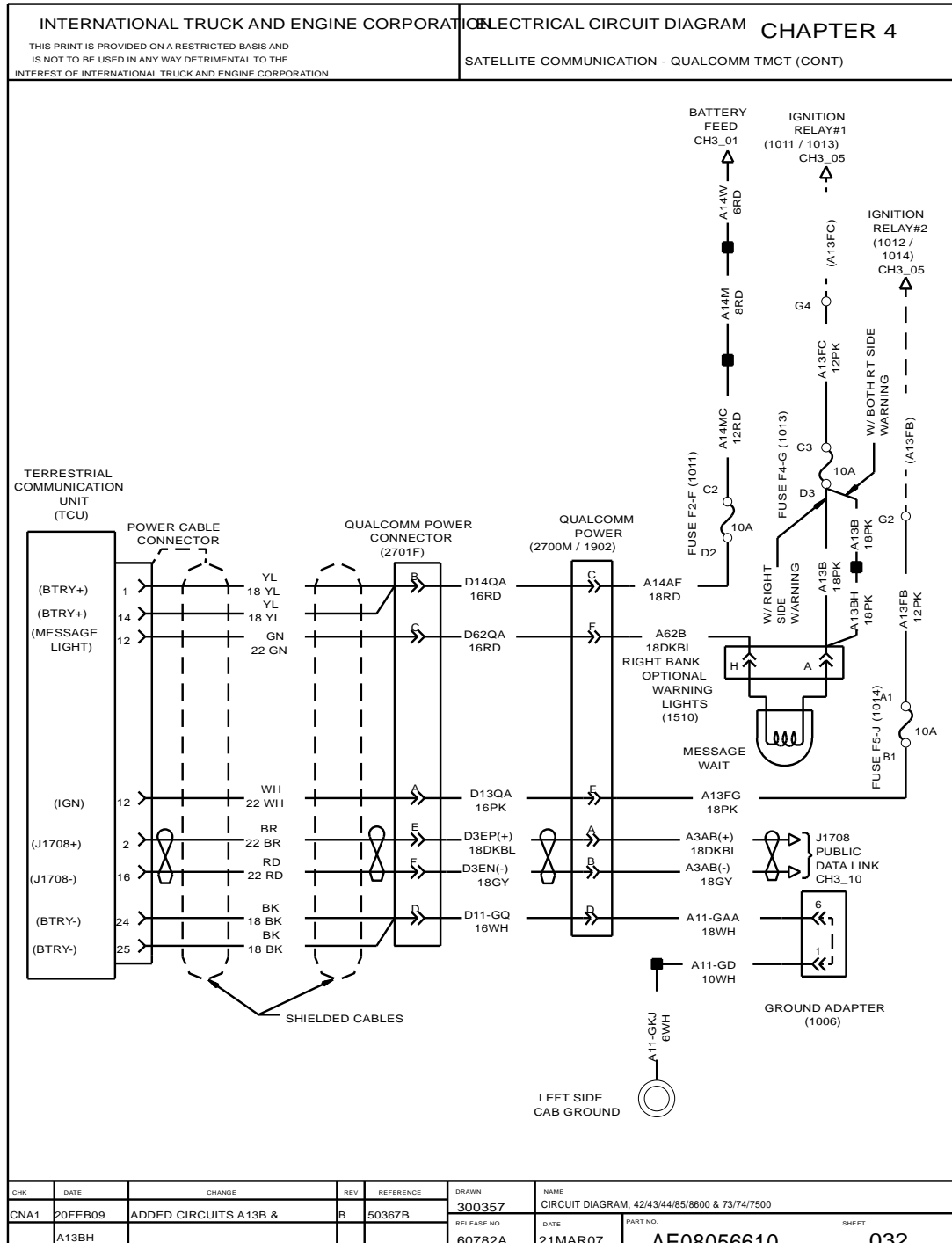


Figure 82 Satellite Communication – Qualcomm TMCT

4.35. SATELLITE COMMUNICATION – QUALCOMM TMCT(CONT.) , P. 32



4.36. AIR SHIELD LIGHT, P. 33

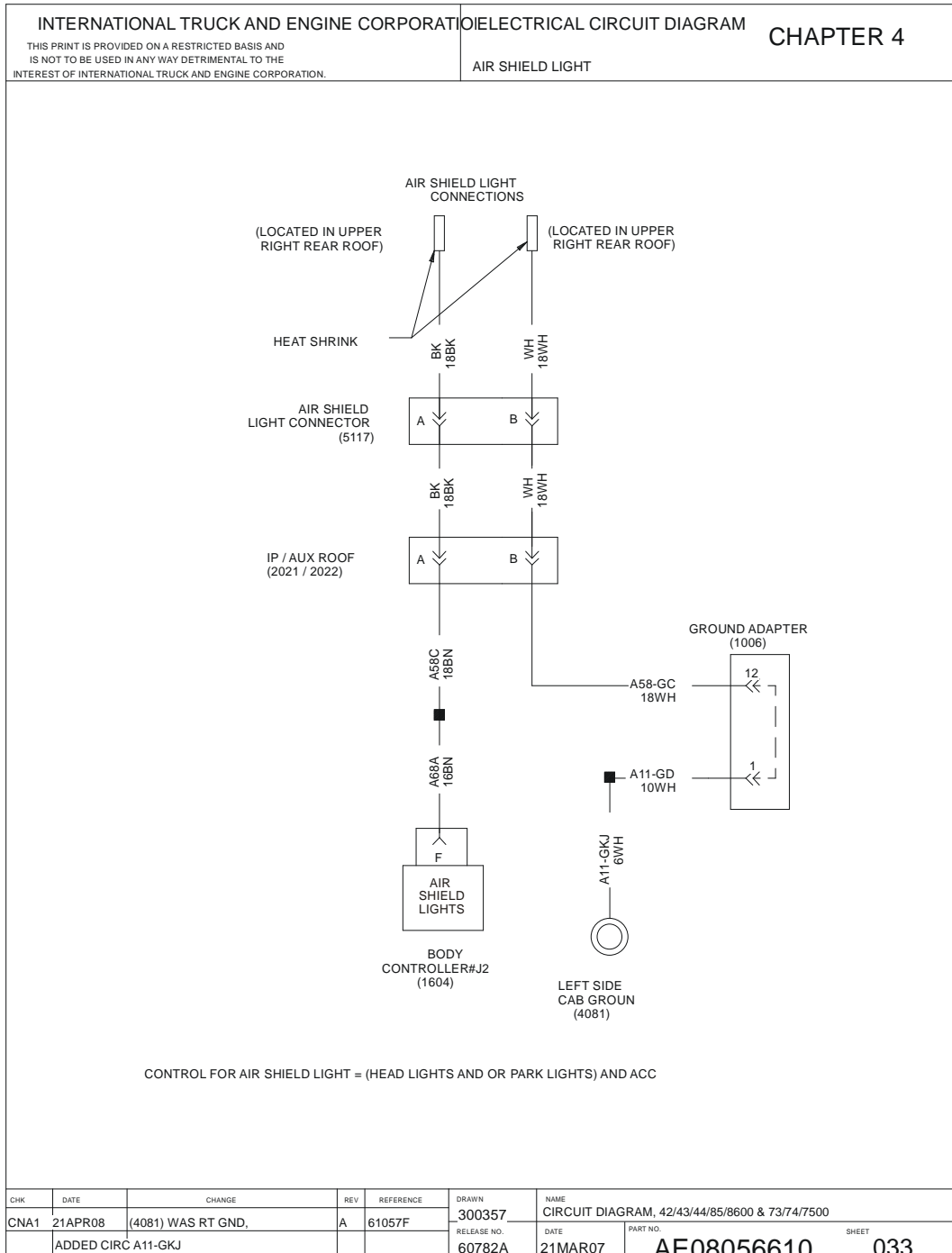


Figure 84 Air Shield Light



4.37. SEATBELT AND SEAT SENSOR, P. 39

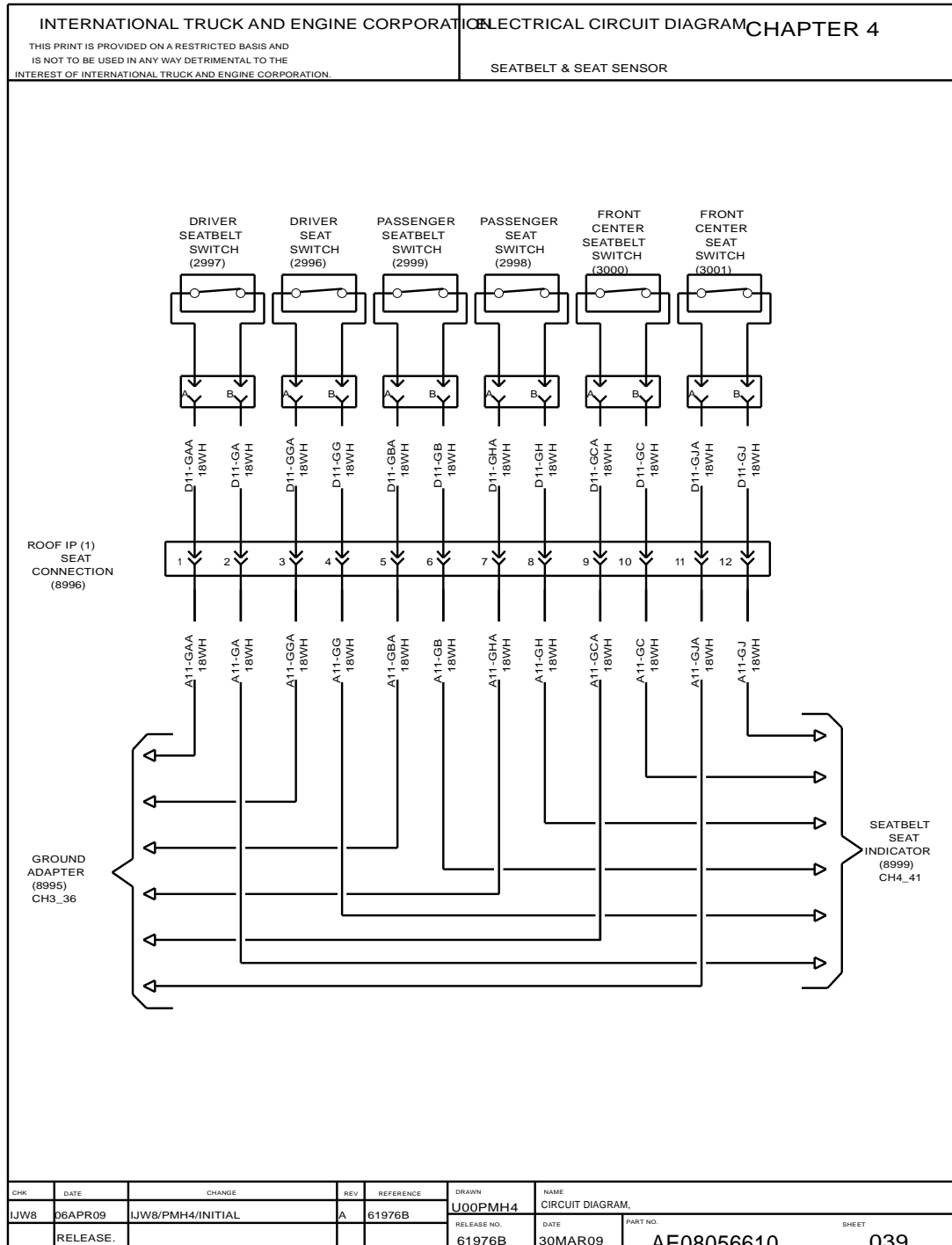


Figure 85 Seatbelt and Seat Sensor

4.38. SEATBELT AND SEAT SENSOR (CONT.), P. 40

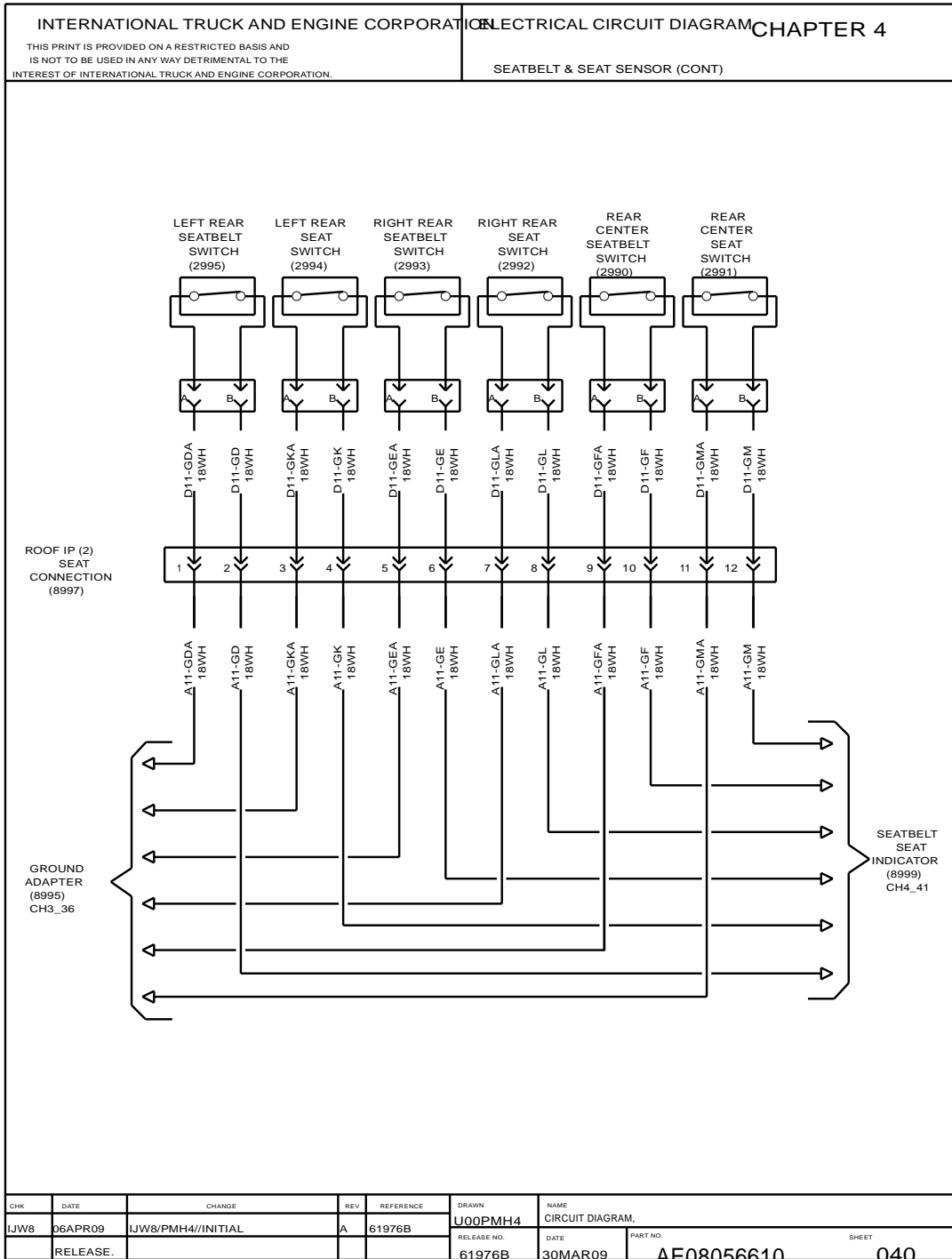


Figure 86 Seatbelt and Seat Sensor (Cont.)

4.39. SEATBELT AND SEAT SENSOR (CONT.), P. 41

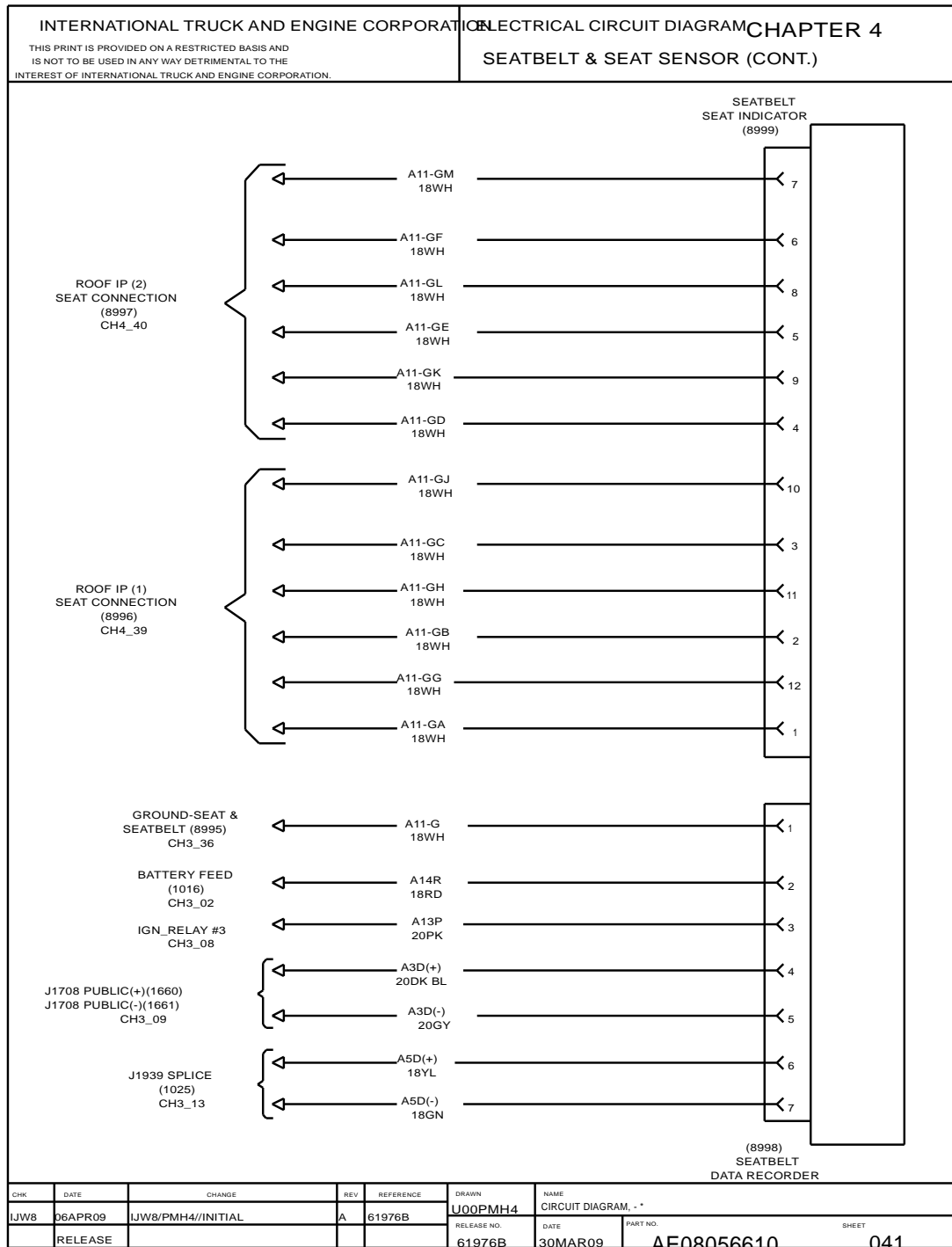


Figure 87 Seatbelt and Seat Sensor (Cont.)

# 12V CHARGING + CRANKING SYSTEM (CHAPTER 5)

## 5.1. STARTING AND CRANKING I6 / V8 ENGINE WITH MANUAL TRANSMISSION, P. 1

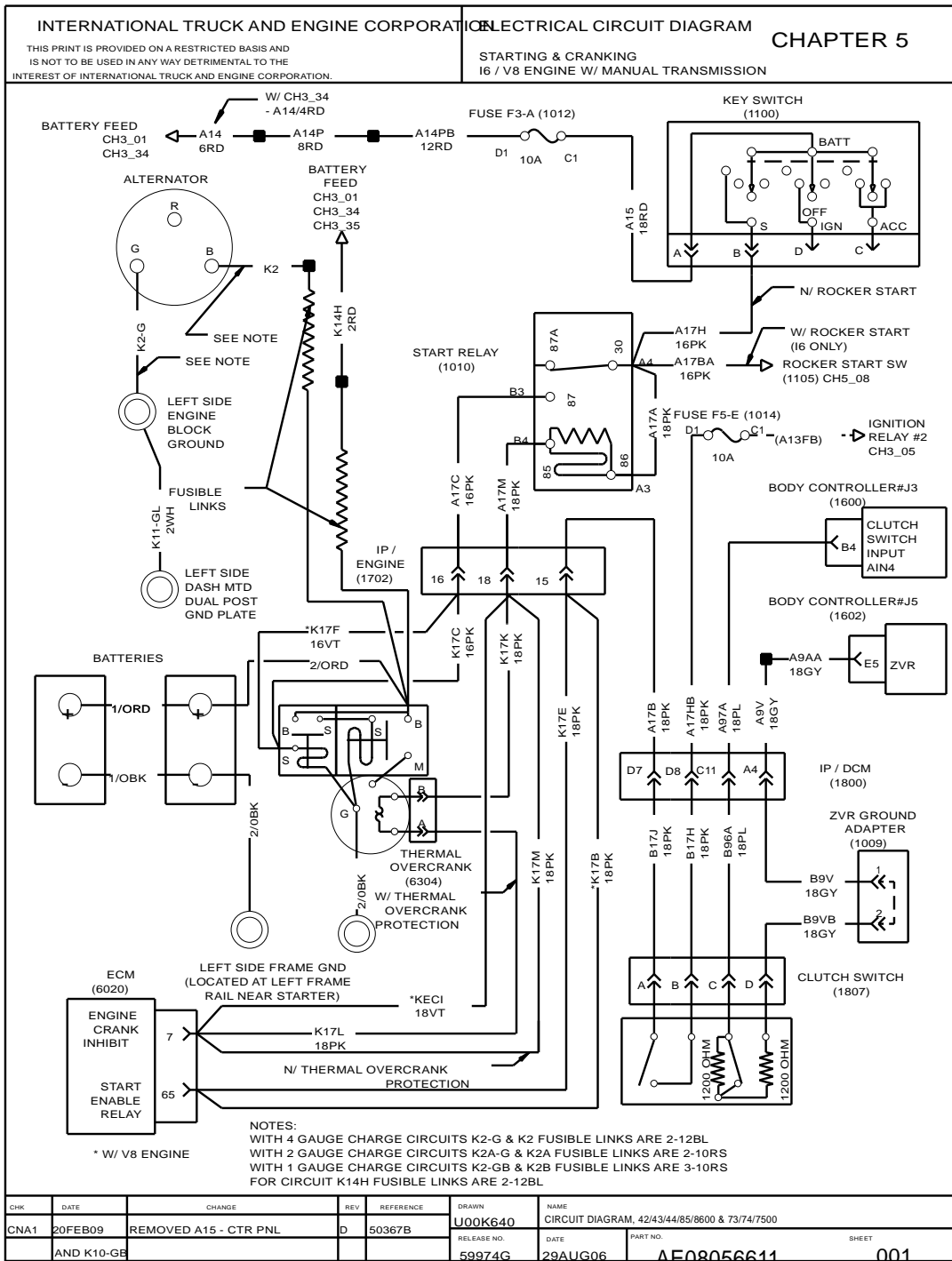


Figure 88 Starting and Cranking I6 / V8 Engine with Manual Transmission

5.2. STARTING AND CRANKING CAT WITH EURO IV ISM ENGINE & IBB ENGINE WITH MANUAL TRANSMISSION, P. 2

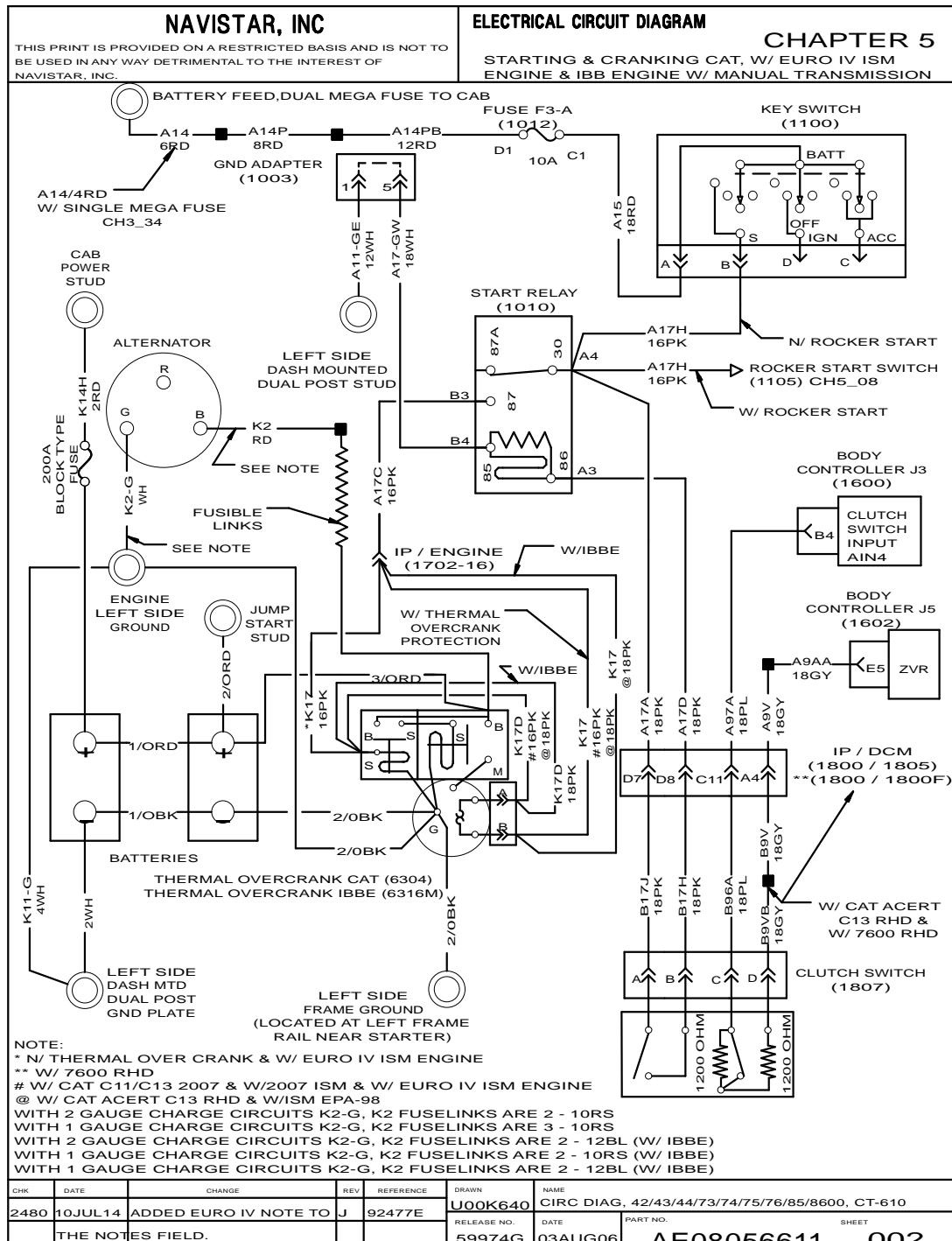


Figure 89 Starting and Cranking Cat with Euro IV ISM Engine & IBB Engine with Manual Transmission

5.3. STARTING AND CRANKING I6 / V8 ENGINE WITH ALLISON TRANSMISSION, P. 3

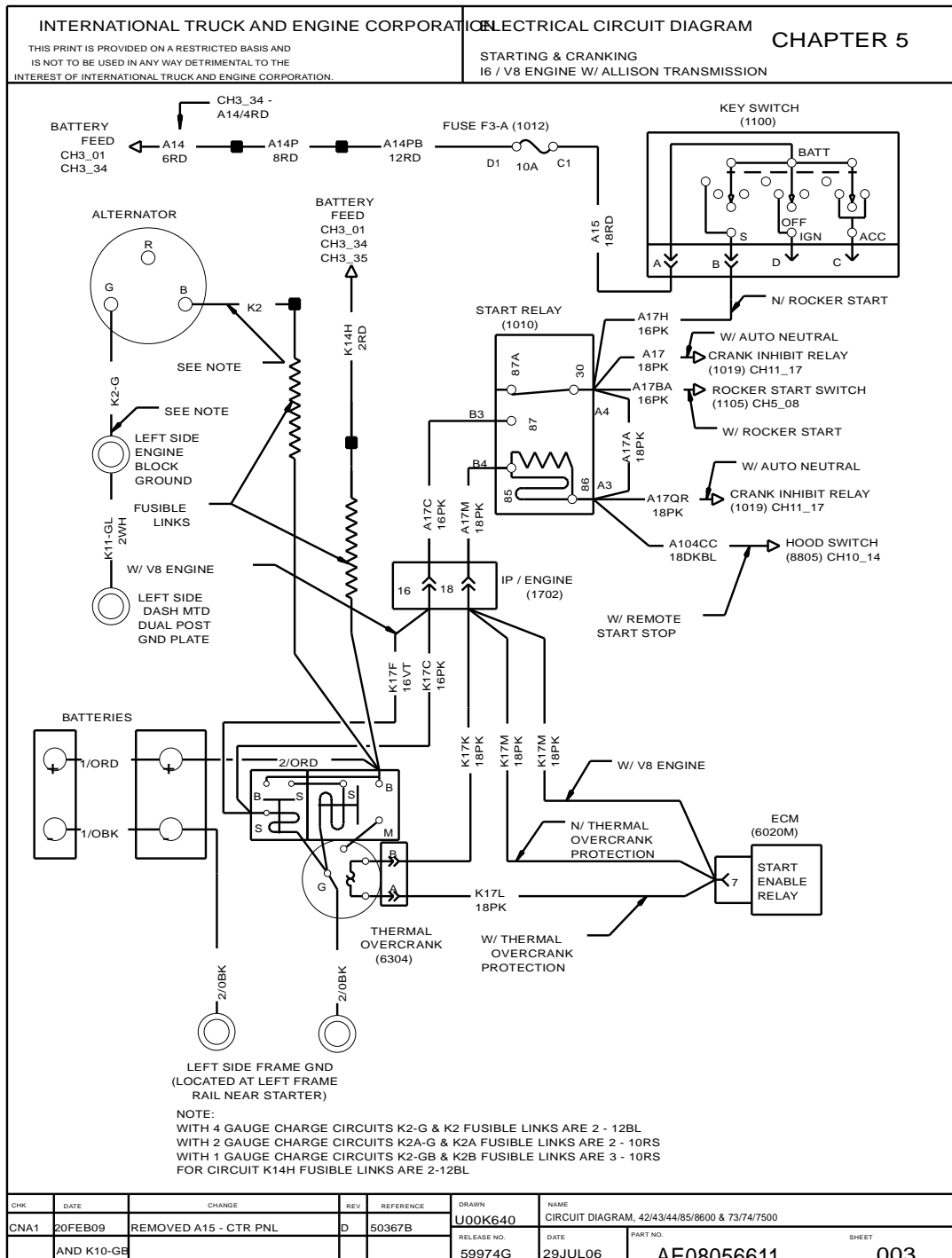


Figure 90 Starting and Cranking I6 / V8 Engine with Allison Transmission

5.4. STARTING AND CRANKING CAT, CUMMINS AND IBB ENGINE WITH ALLISON TRANSMISSION, P. 4

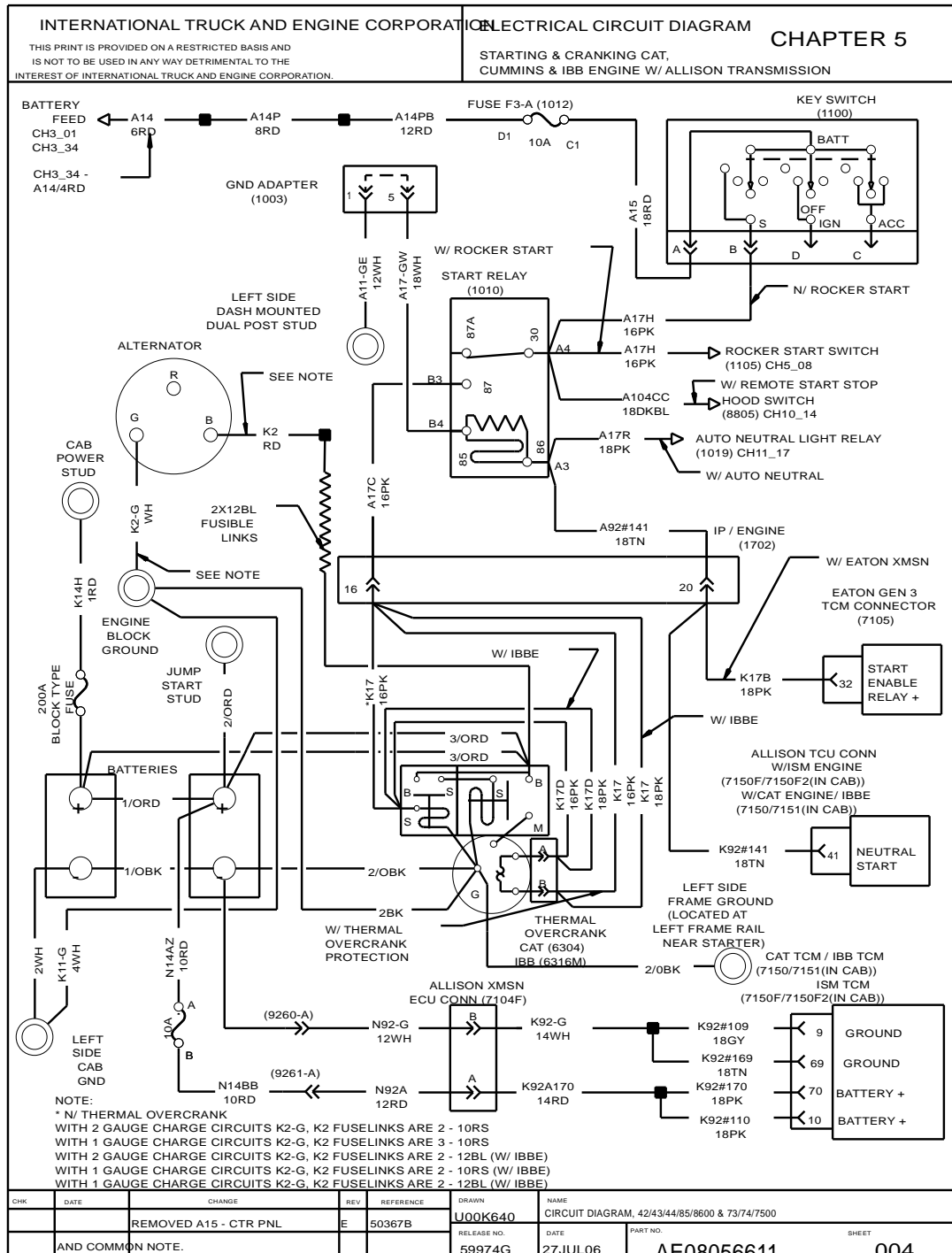


Figure 91 Starting and Cranking Cat, Cummins and IBB Engine with Allison Transmission

5.5. STARTING AND CRANKING I6 ENGINE WITH AUTOSHIFT, ULTRASHIFT AND EATON HYBRID TRANSMISSION, P. 5

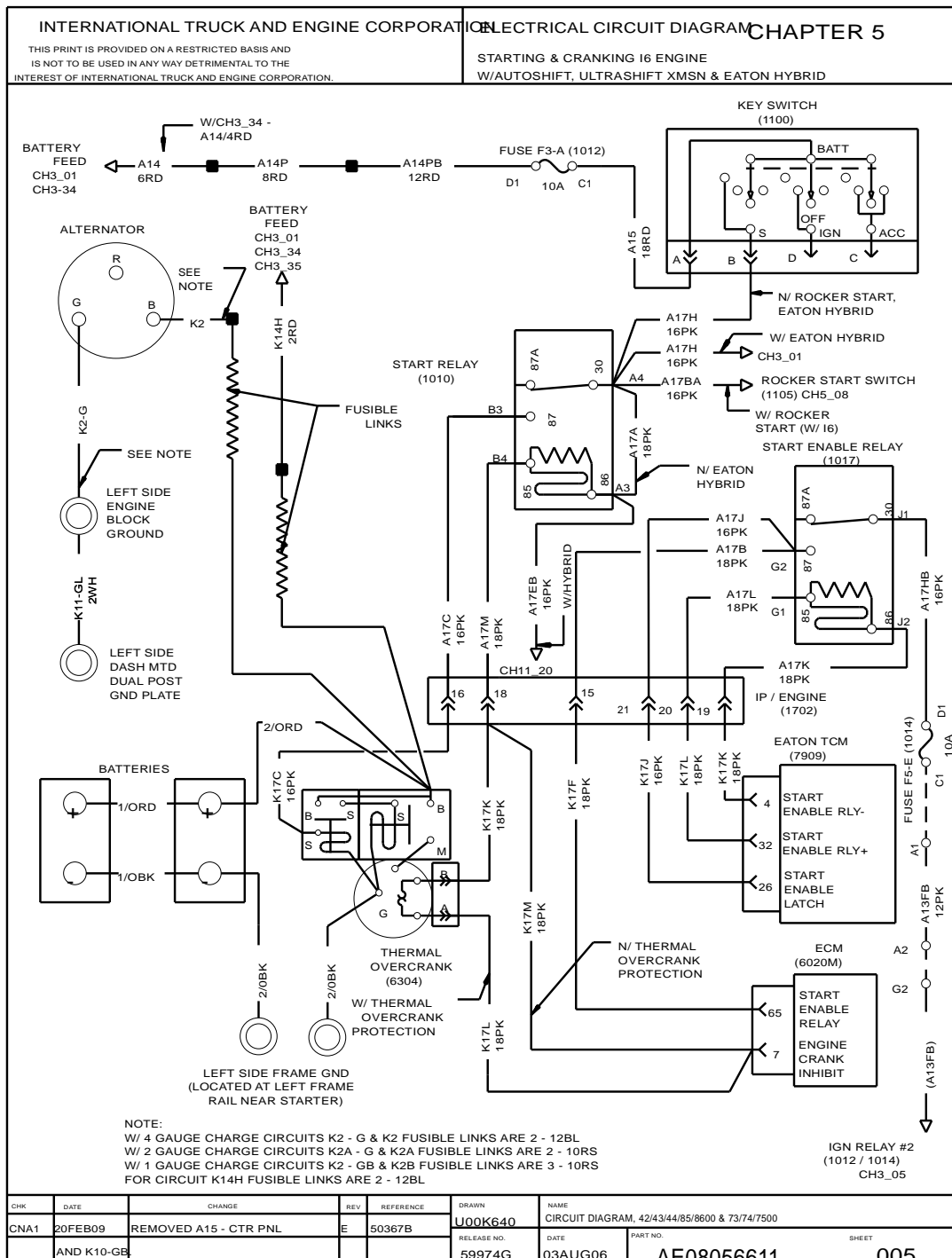


Figure 92 Starting and Cranking I6 Engine with Autoshift, Ultrashift, and Eaton Hybrid Transmission



5.6. STARTING AND CRANKING CAT, EURO IV ISM, AND IBB ENGINES WITH AUTOSHIFT AND ULTRASHIFT TRANSMISSION, P. 6

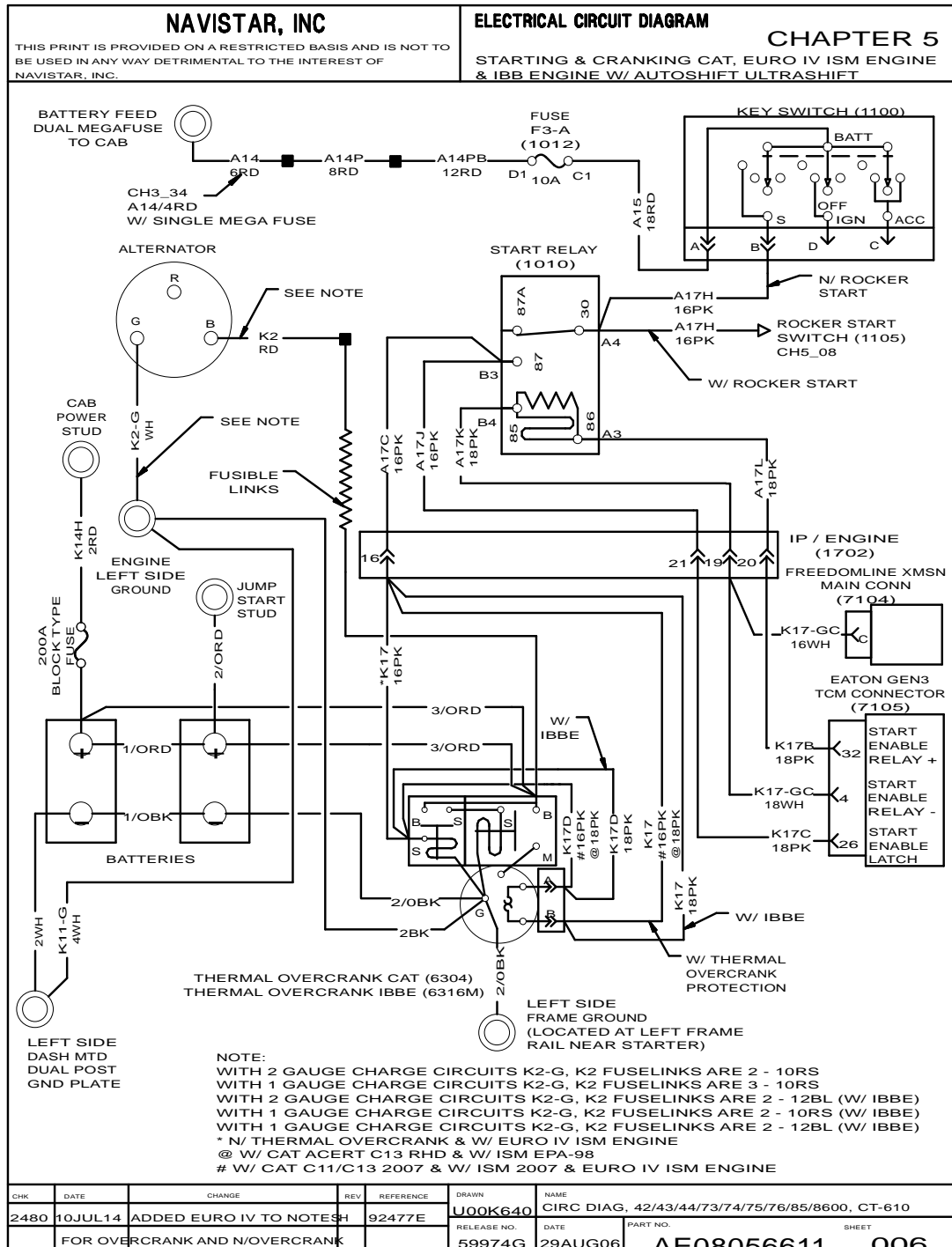


Figure 93 Starting and Cranking Cat, Euro IV ISM, and IBB Engines with Autoshift and Ultrashift Transmission

5.7. I6 POWER PACK, P. 7

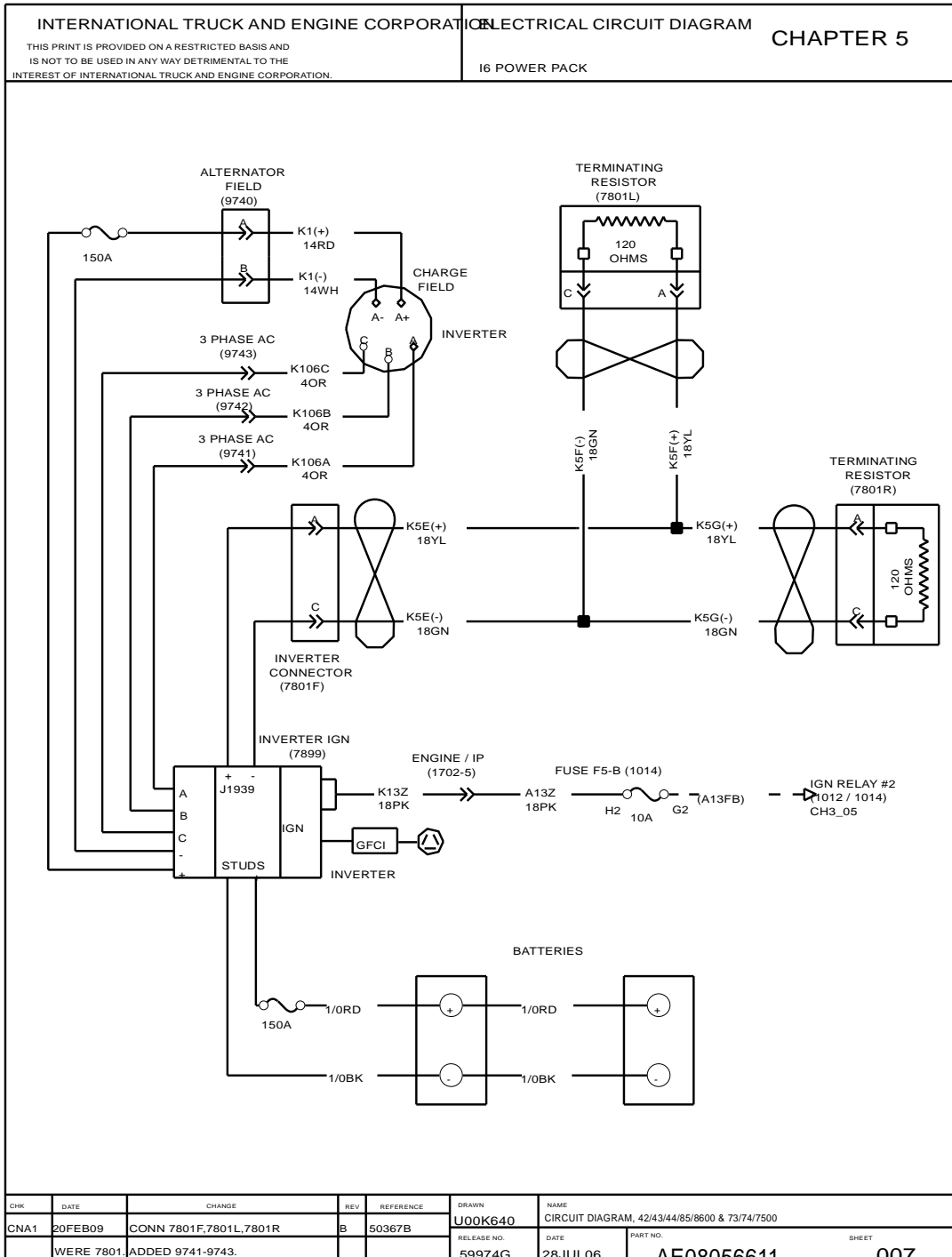


Figure 94 I6 Power Pack

5.8. ROCKER START, P. 8

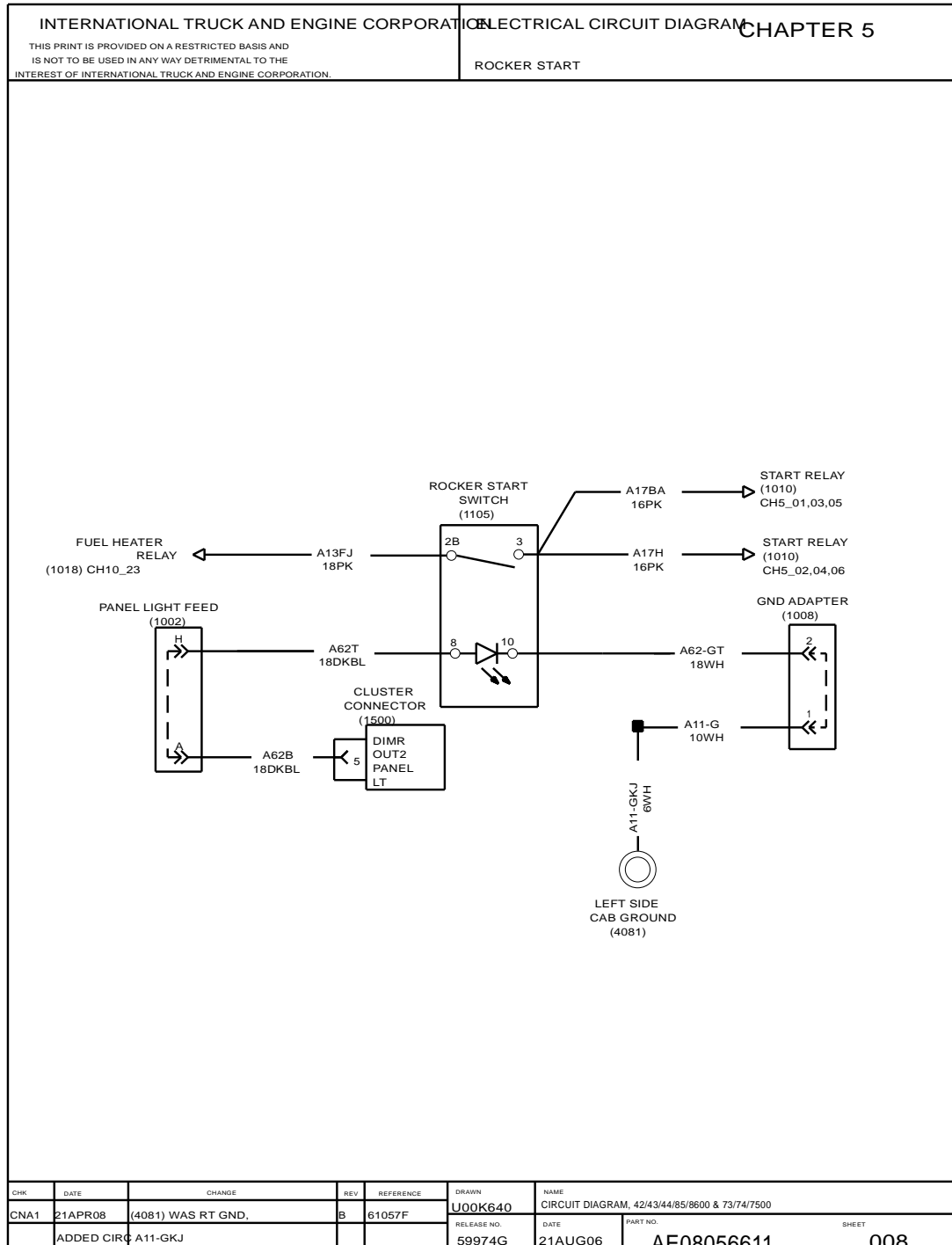


Figure 95 Rocker Start

## FANS AND ENGINE ACCESSORIES (CHAPTER 6)

### 6.1. FAN WIRING, I6 / V8 2007 ENGINES, P. 1

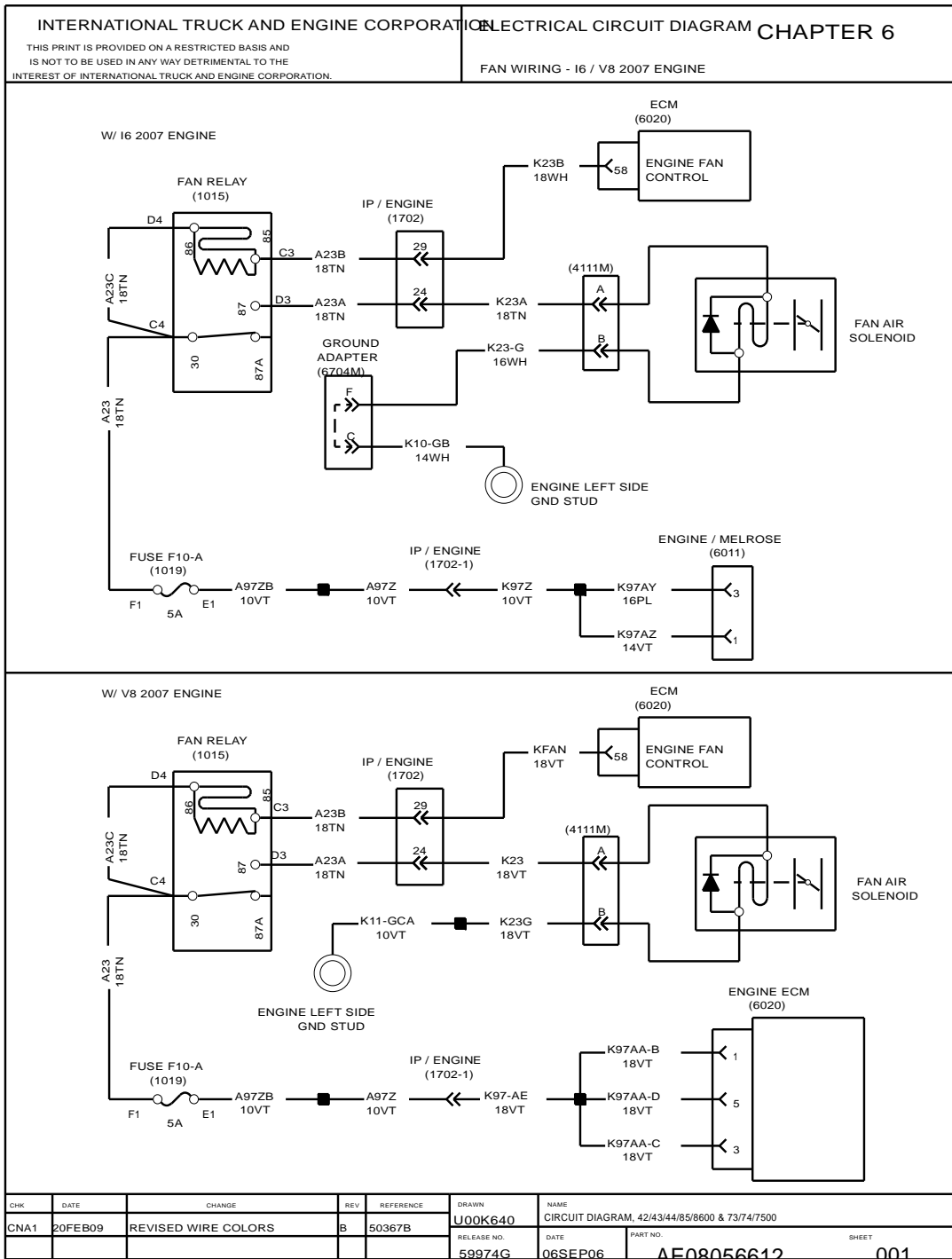


Figure 96 Fan Wiring, I6 / V8 2007 Engines

6.2. FAN WIRING, ISM, C11-C13 2007 ENGINES, P. 2

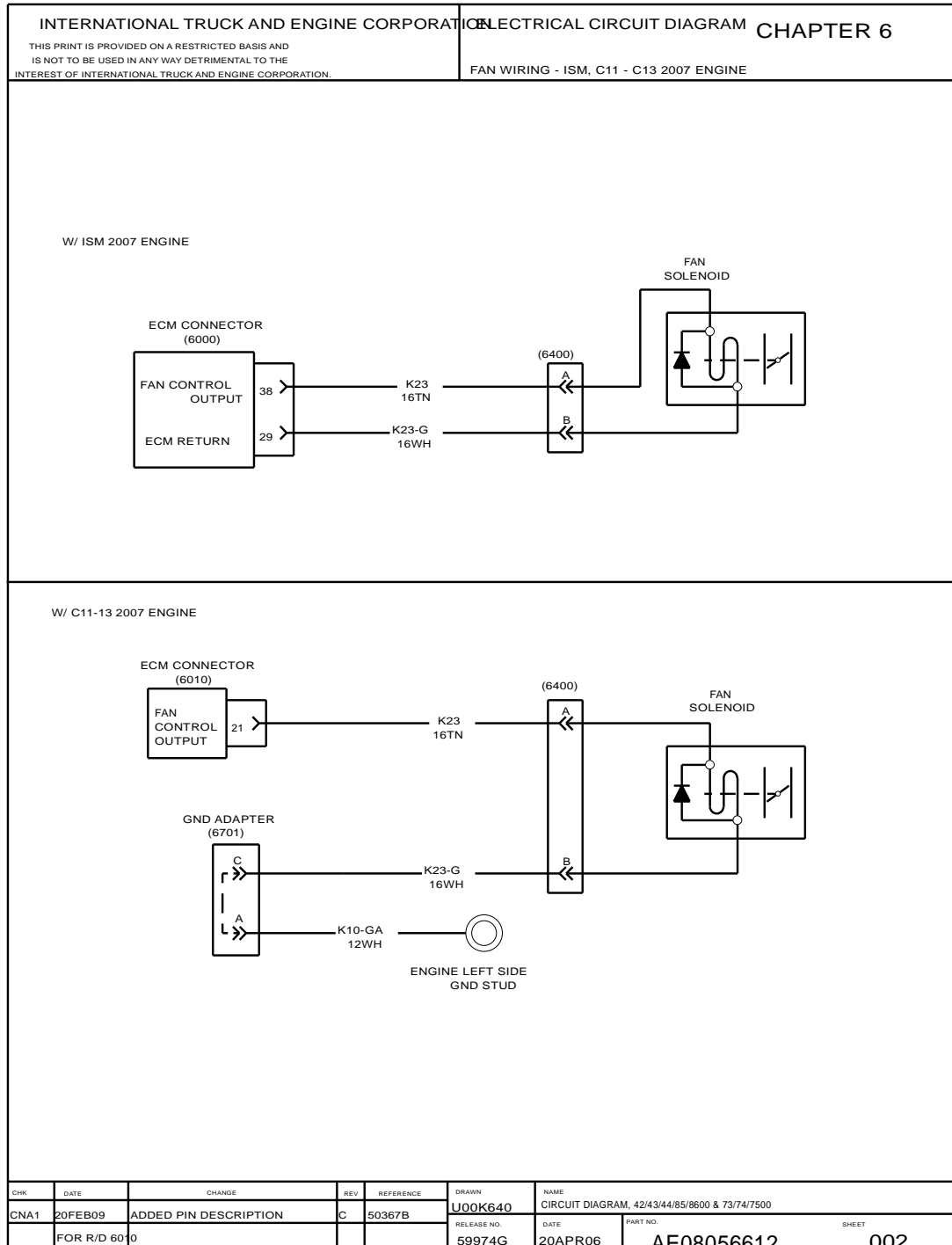


Figure 97 Fan Wiring, ISM, C11-C13 2007 Engines

6.3. STARTING AID – ETHER START, P. 3

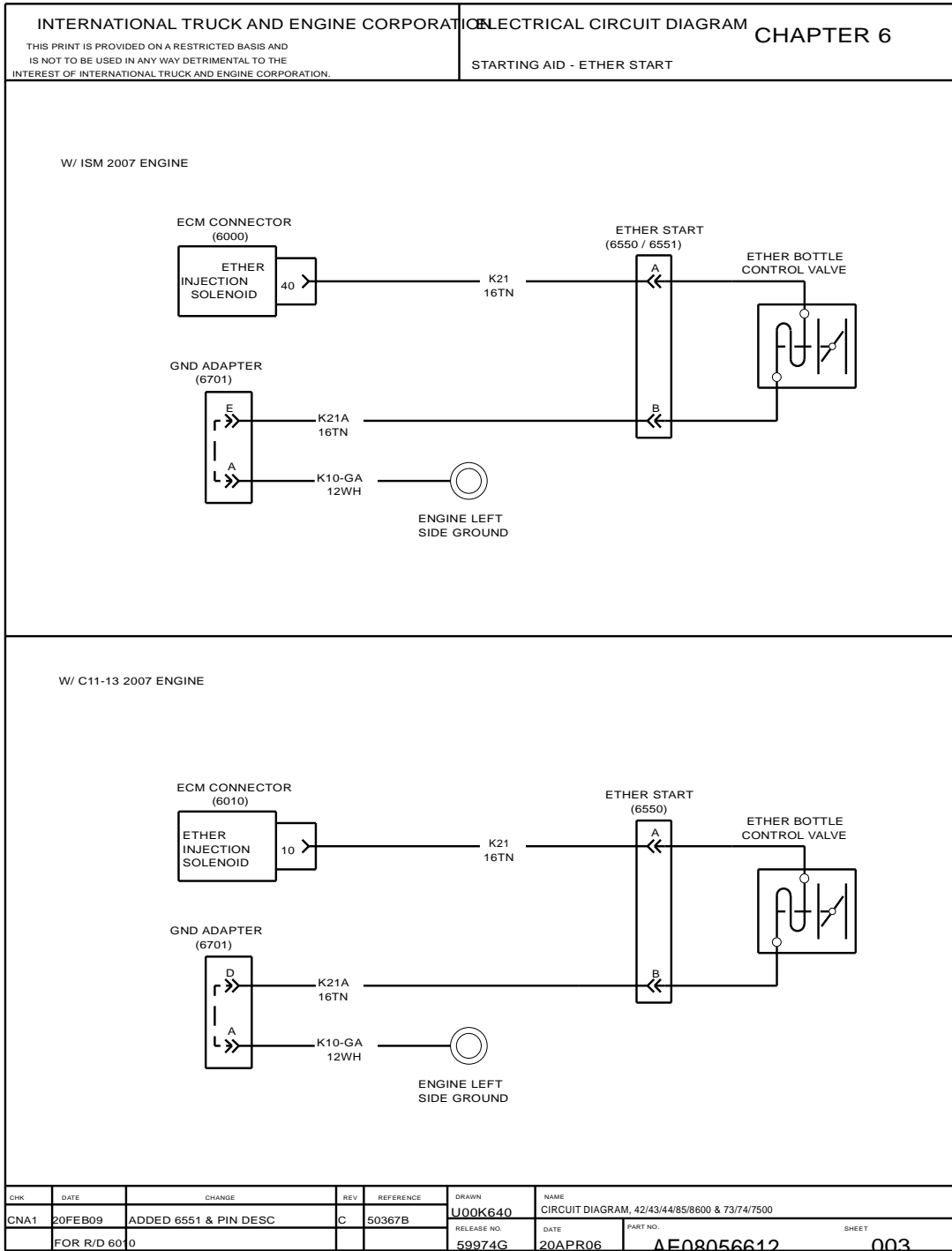
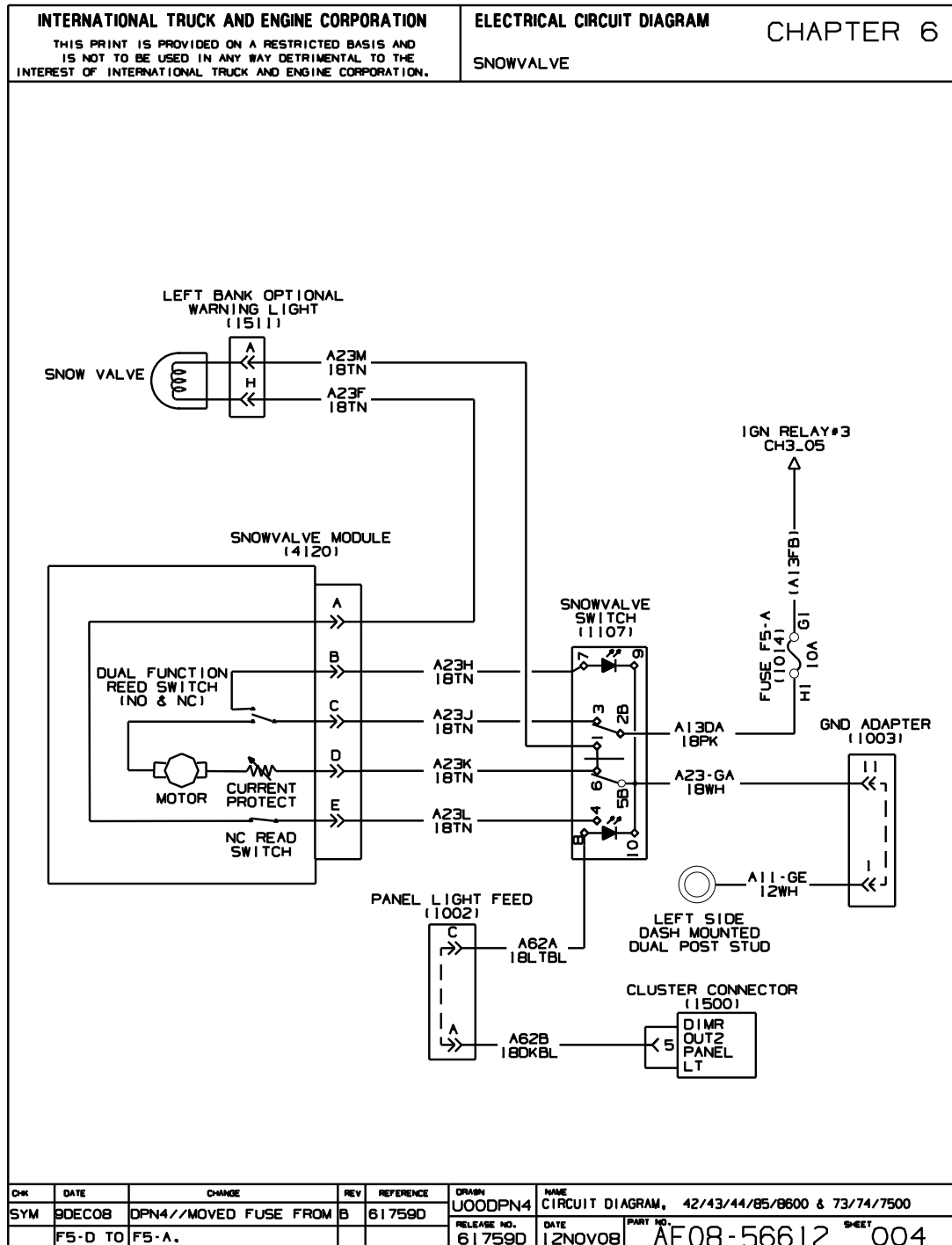


Figure 98 Starting Aid – Ether Start

6.4. SNOW VALVE, P. 4



6.5. SNOW VALVE WITH IBB ENGINE, P. 4A

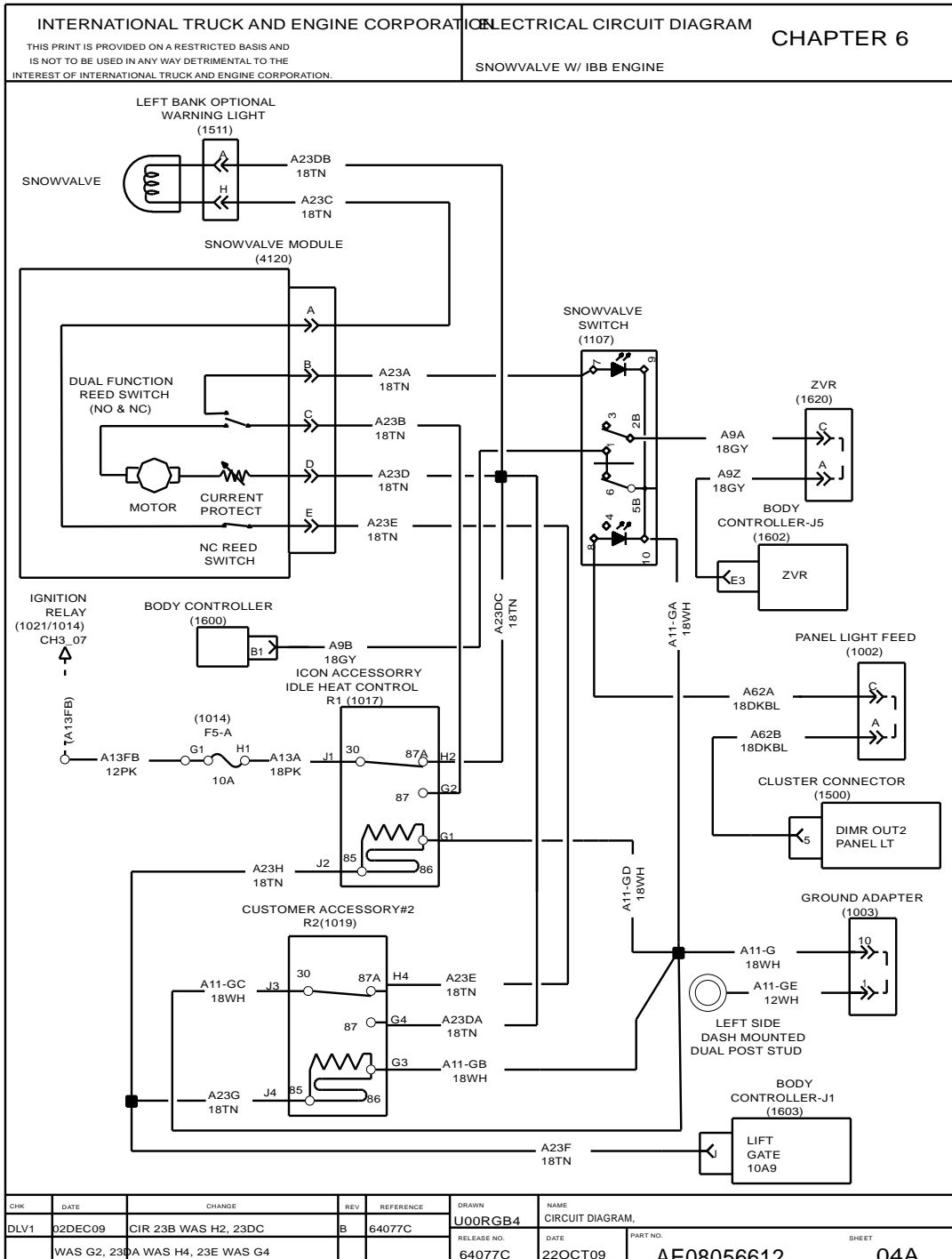


Figure 100 Snow Valve with IBB Engine



6.6. STARTING AID – COLD START ASSIST (IBB ENGINE), P. 5

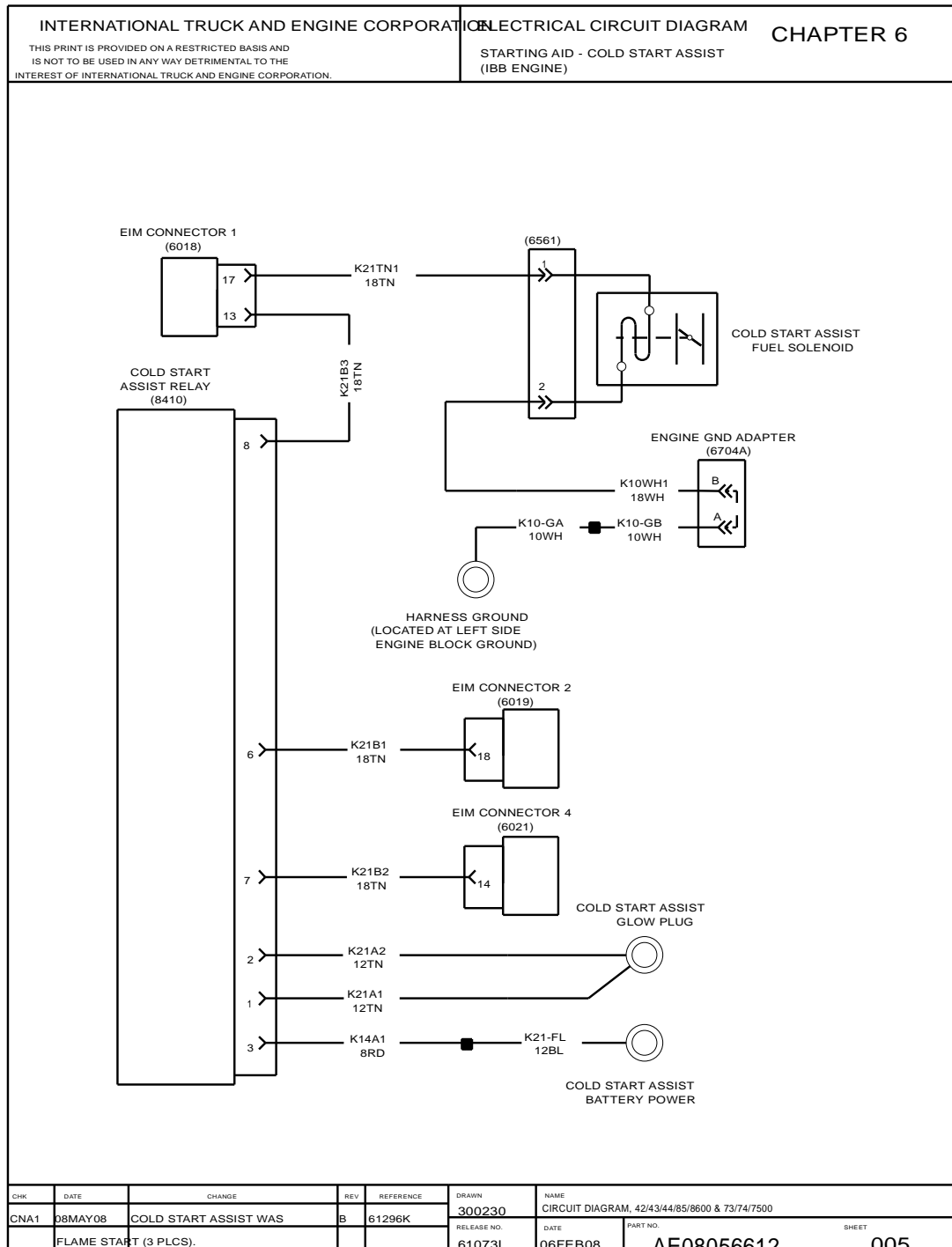


Figure 101 Starting Aid – Cold Start Assist (IBB Engine)

6.7. FAN WIRING – IBB ENGINE, P. 6

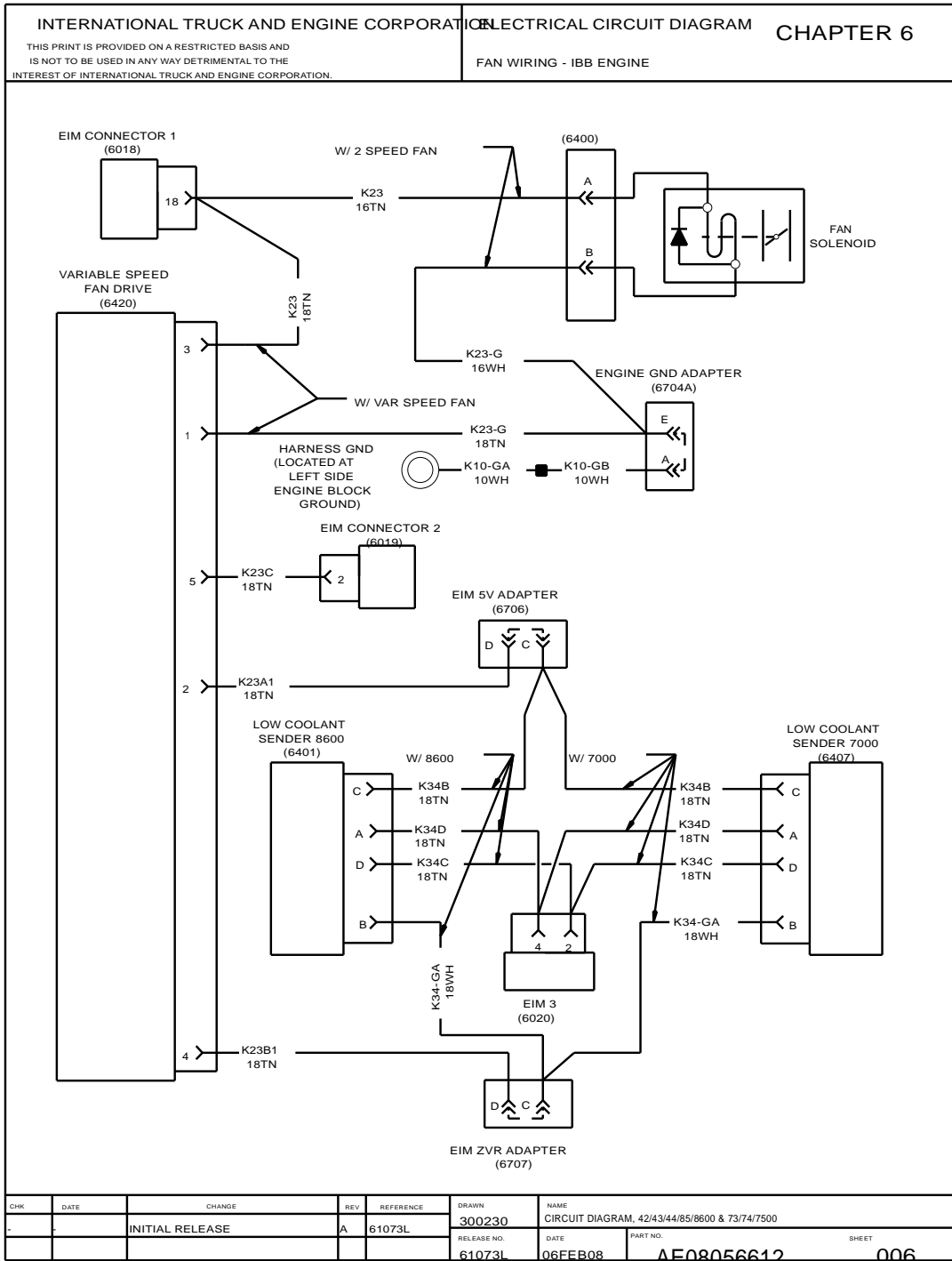


Figure 102 Fan Wiring – IBB Engine

# ELECTRONIC ENGINES (CHAPTER 7)

## 7.1. ELECTRONIC ENGINE CONTROLS, CAT ENGINES, P. 1

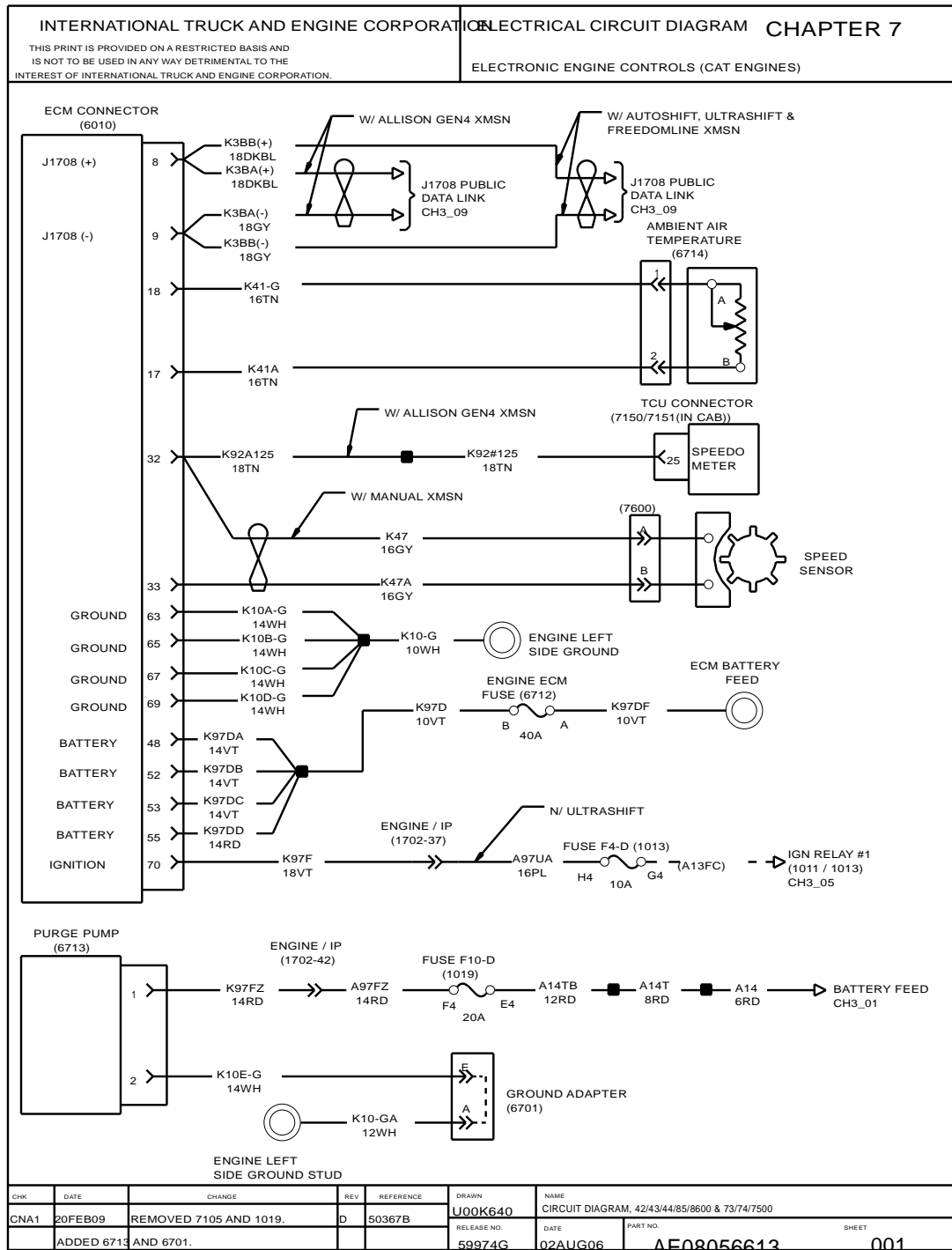


Figure 103 Electronic Engine Controls, Cat Engines

7.2. ELECTRONIC ENGINE CONTROLS, CAT ENGINES (CONT.), P. 2

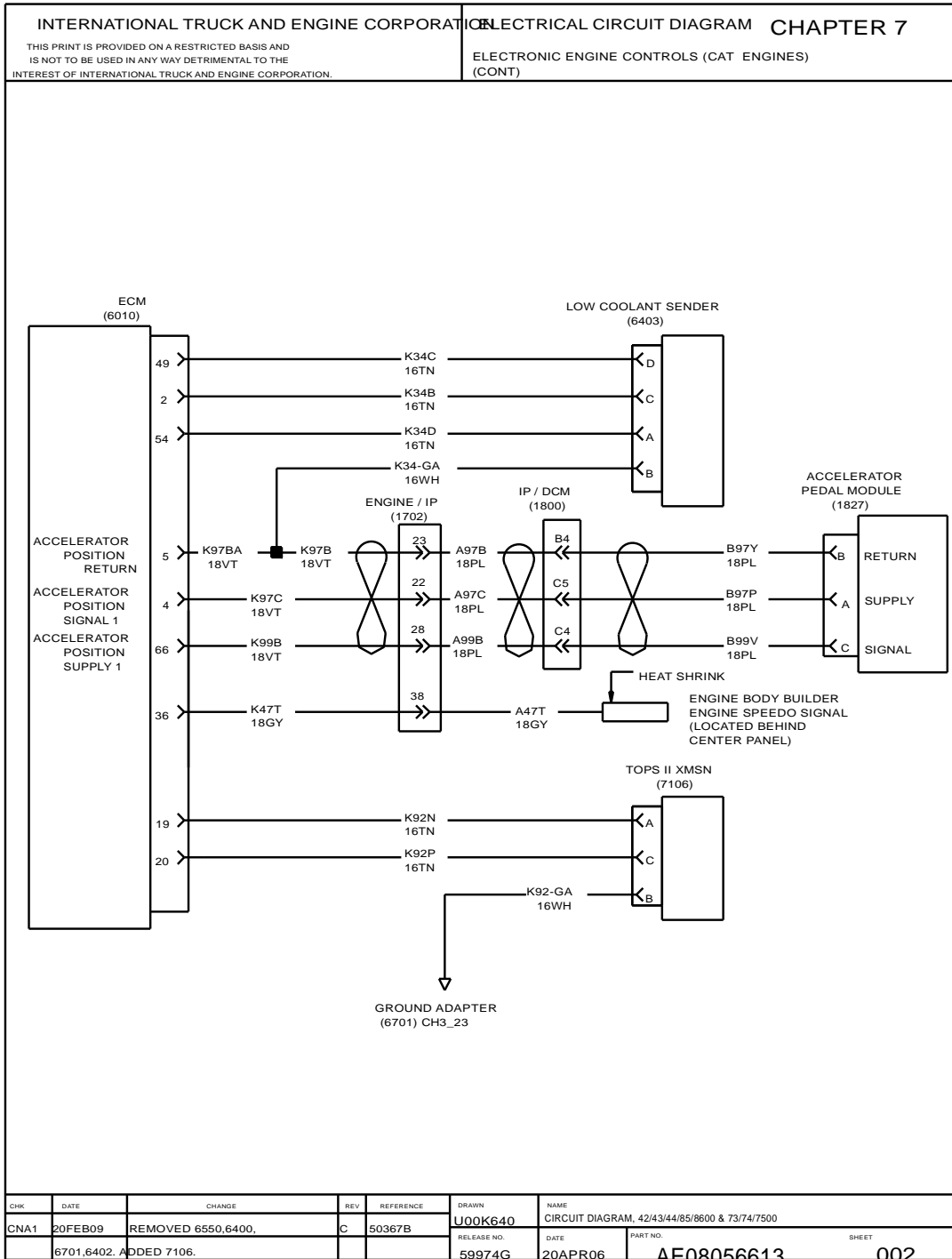


Figure 104 Electronic Engine Controls, Cat Engines (Cont.)

7.3. ENGINE BODY BUILDER – REMOTE ENGINE CONTROL (CAT ENGINE), P. 3

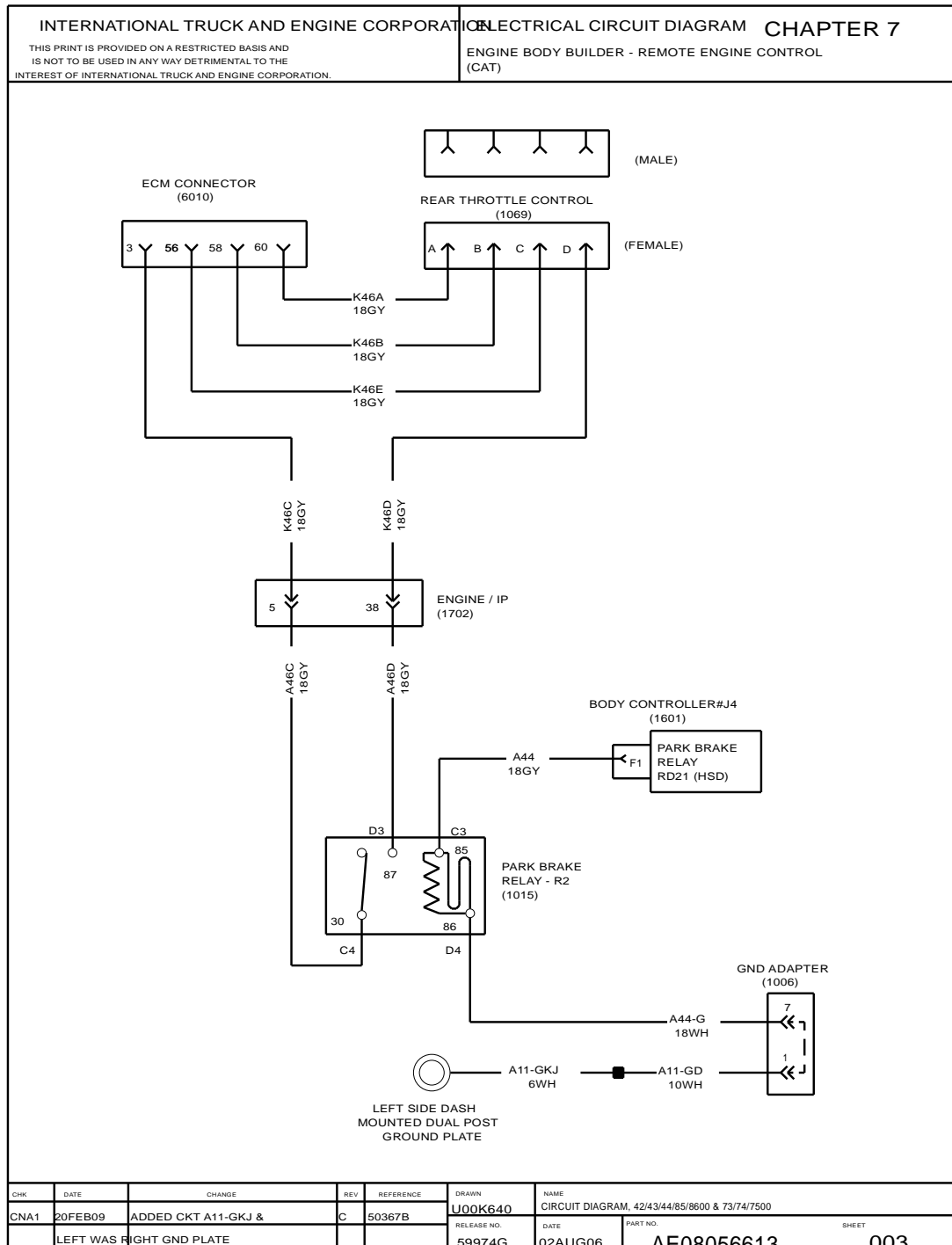


Figure 105 Engine Body Builder – Remote Engine Control (Cat Engine)

7.4. ELECTRONIC ENGINE CONTROLS (ISM 2007 / EURO IV ENGINE), P. 4

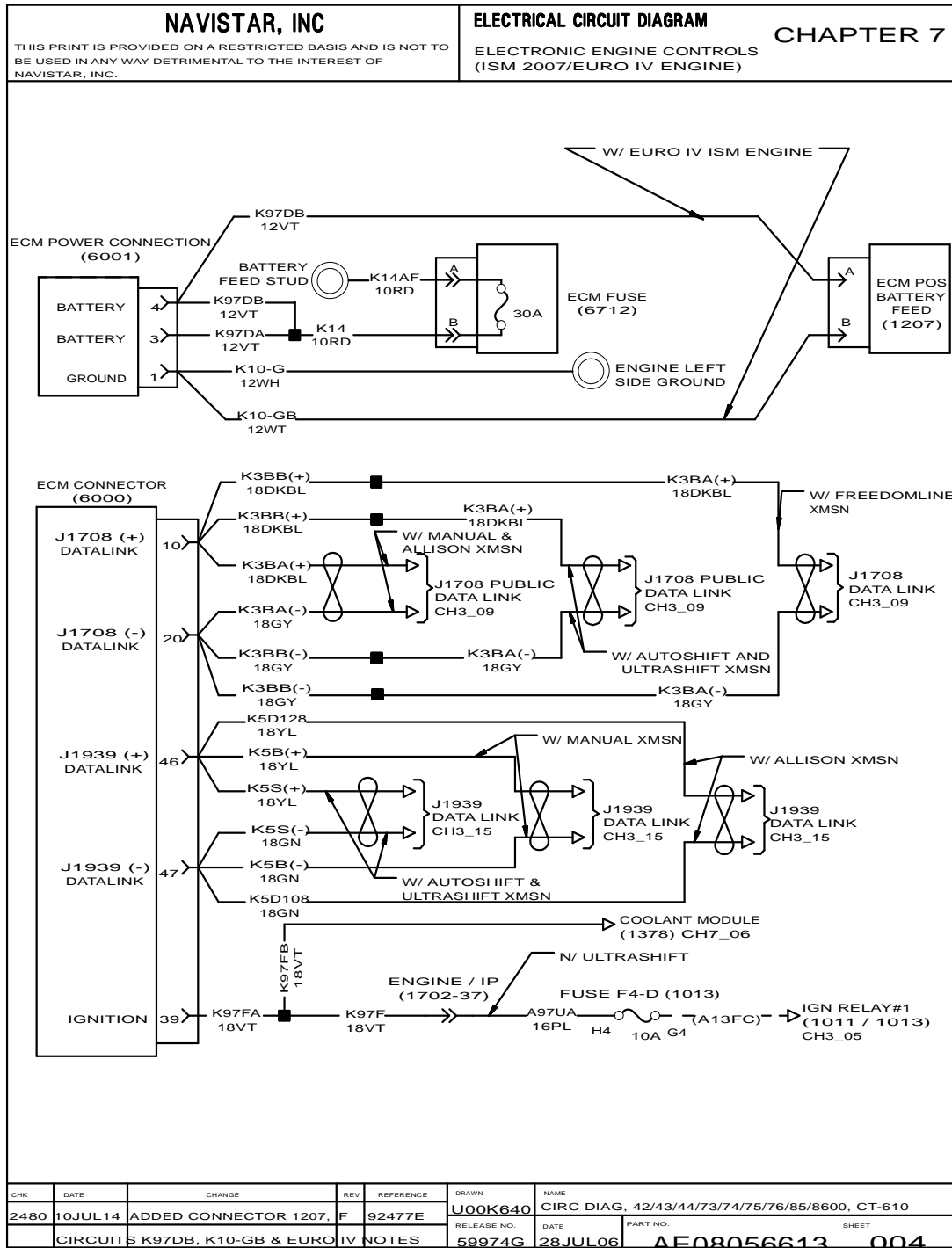


Figure 106 Electronic Engine Controls, (ISM 2007 / Euro IV Engine)

7.5. ELECTRONIC ENGINE CONTROLS, EURO IV ISM ENGINE (CONT.), P. 5

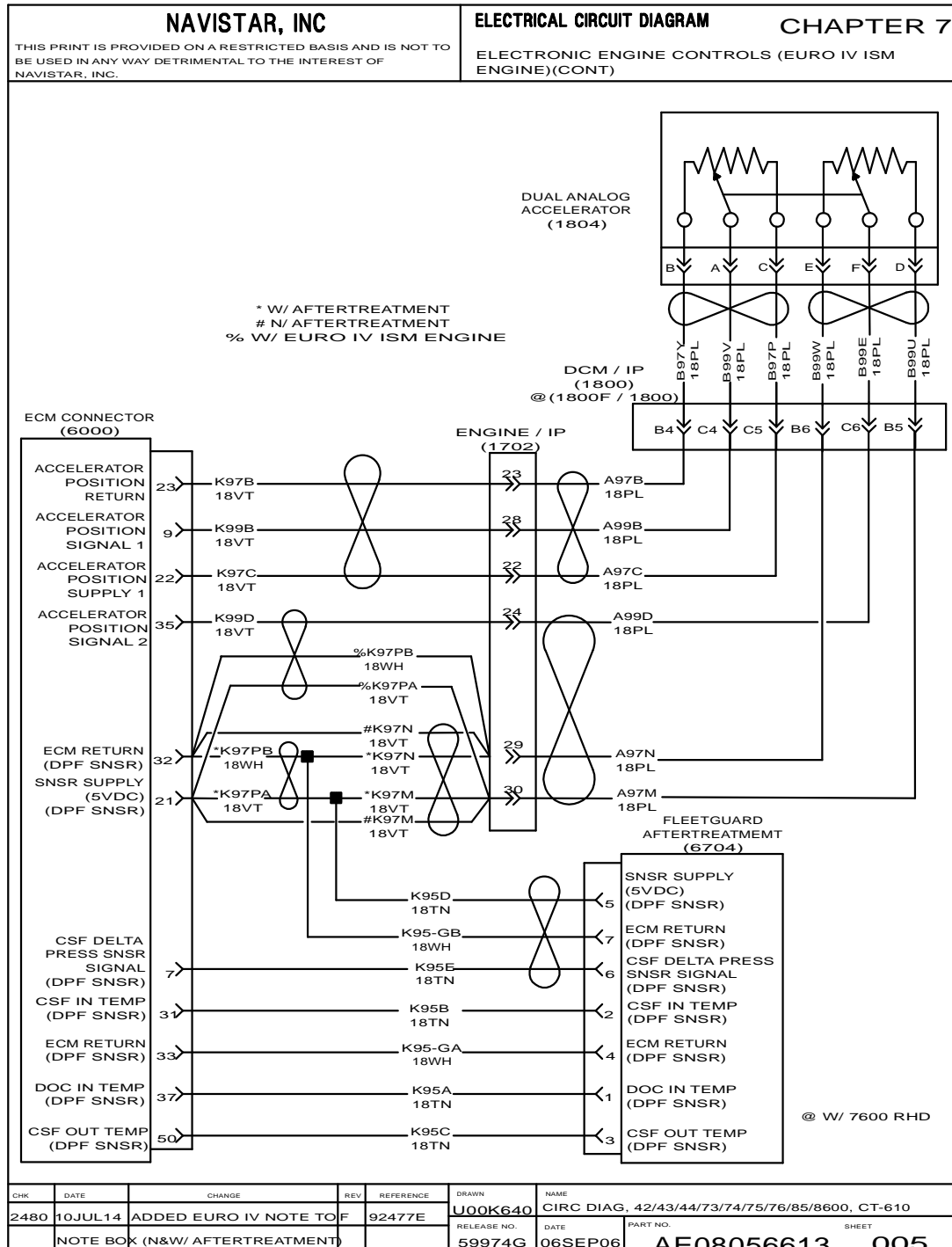


Figure 107 Electronic Engine Controls, Euro IV ISM Engine (Cont.)

7.6. ELECTRONIC ENGINE CONTROLS, ISM 2007 & EURO IV ISM ENGINES (CONT.), P. 6

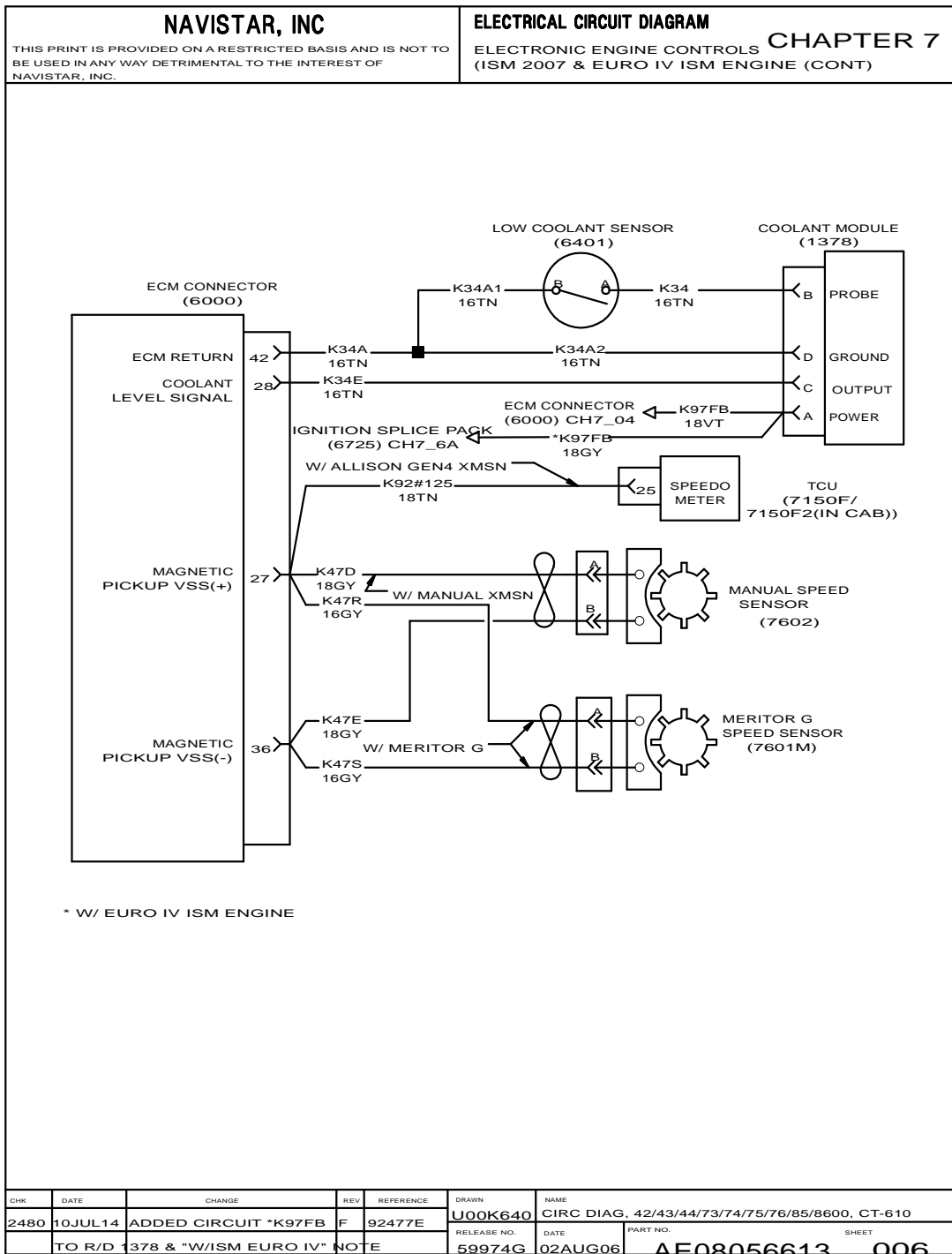


Figure 108 Electronic Engine Controls, ISM 2007 & Euro IV ISM Engines (Cont.)



7.7. ELECTRONIC ENGINE CONTROLS (EURO IV ISM ENGINE), P. 6A

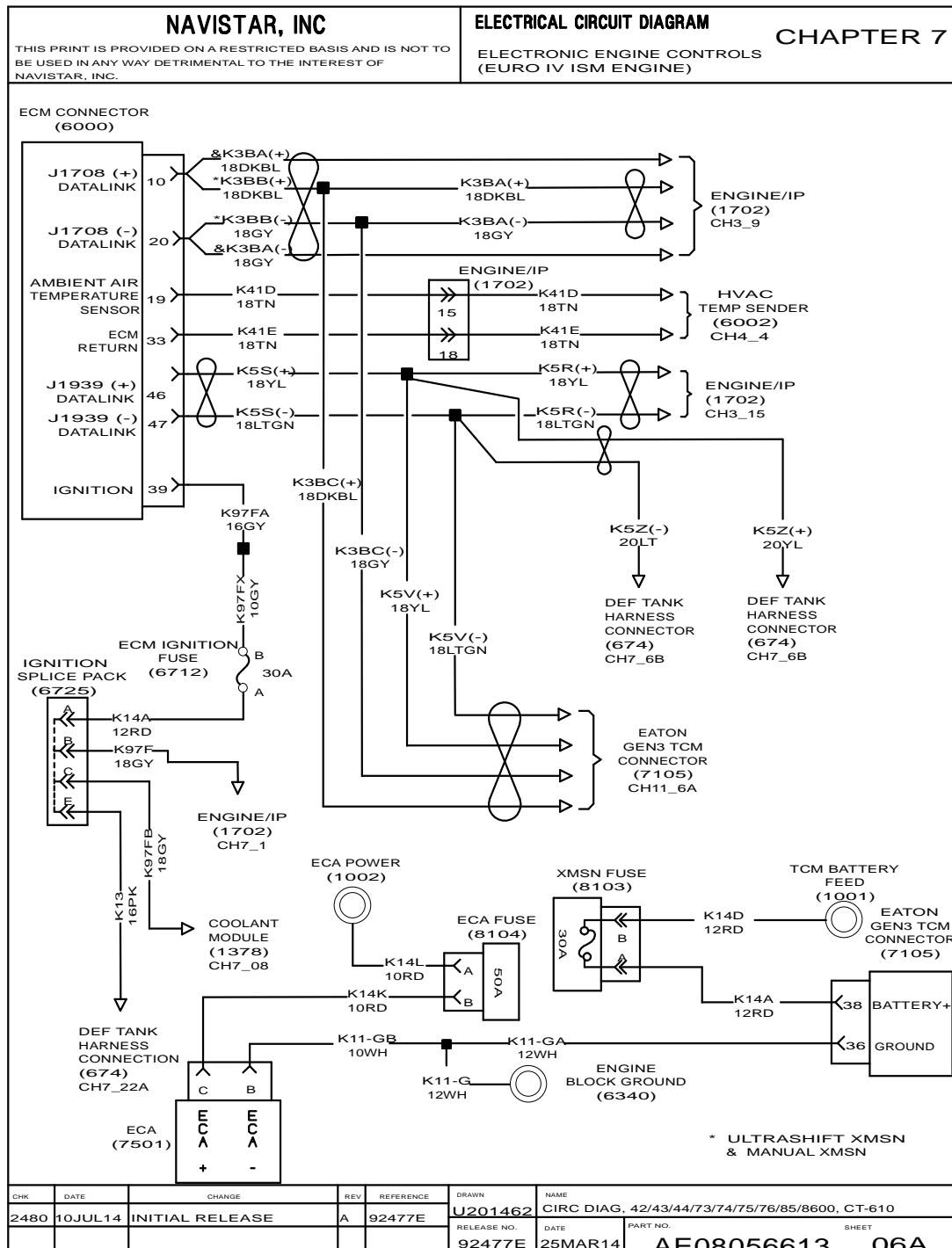


Figure 109 Electronic Engine Controls, (Euro IV ISM Engine)

7.8. ELECTRONIC ENGINE CONTROLS (EURO IV ISM ENGINE) (CONT.), P. 6AB

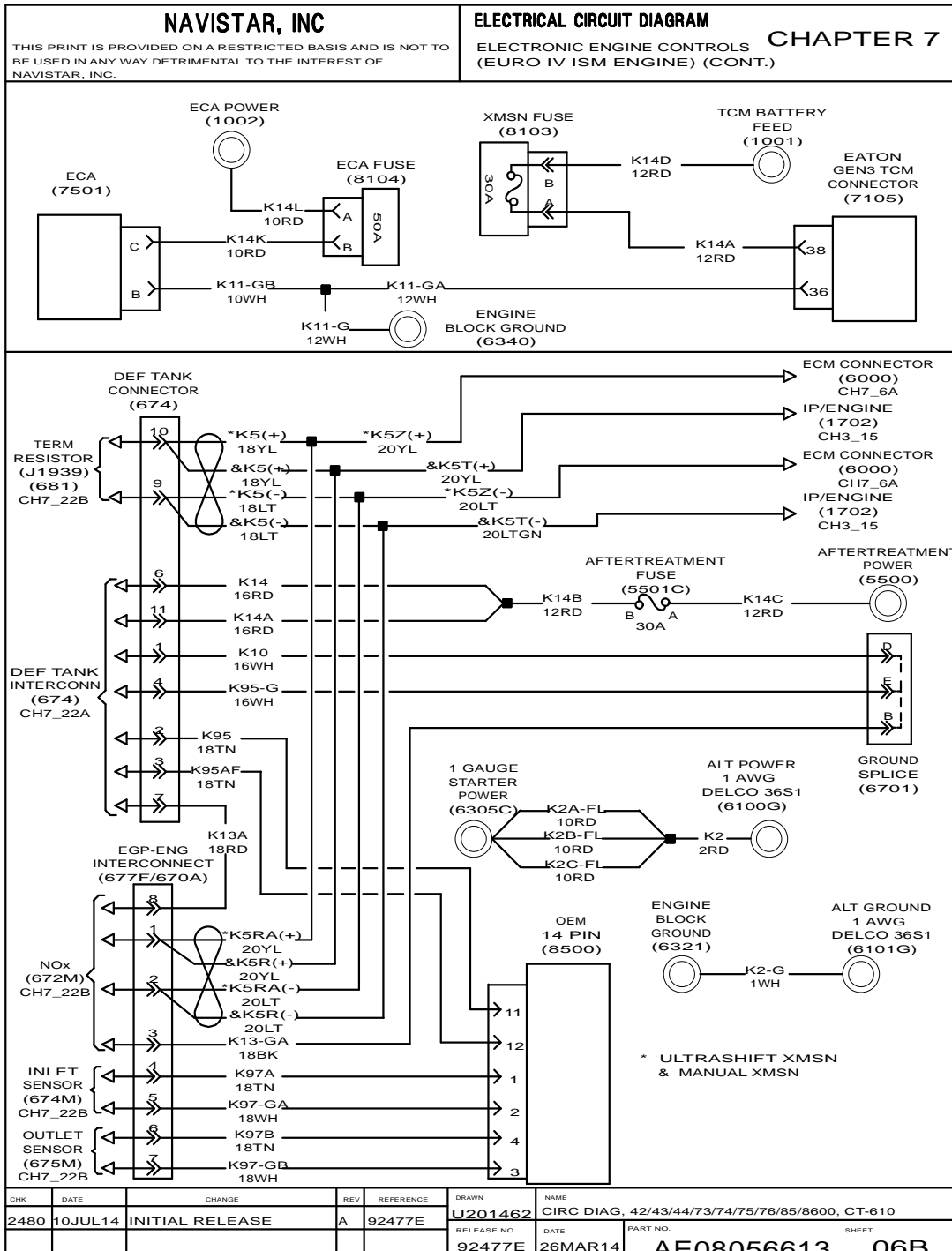


Figure 110 Electronic Engine Controls, (Euro IV ISM Engine) (Cont.)

7.9. ELECTRONIC ENGINE CONTROLS, I6 ENGINES, P. 7

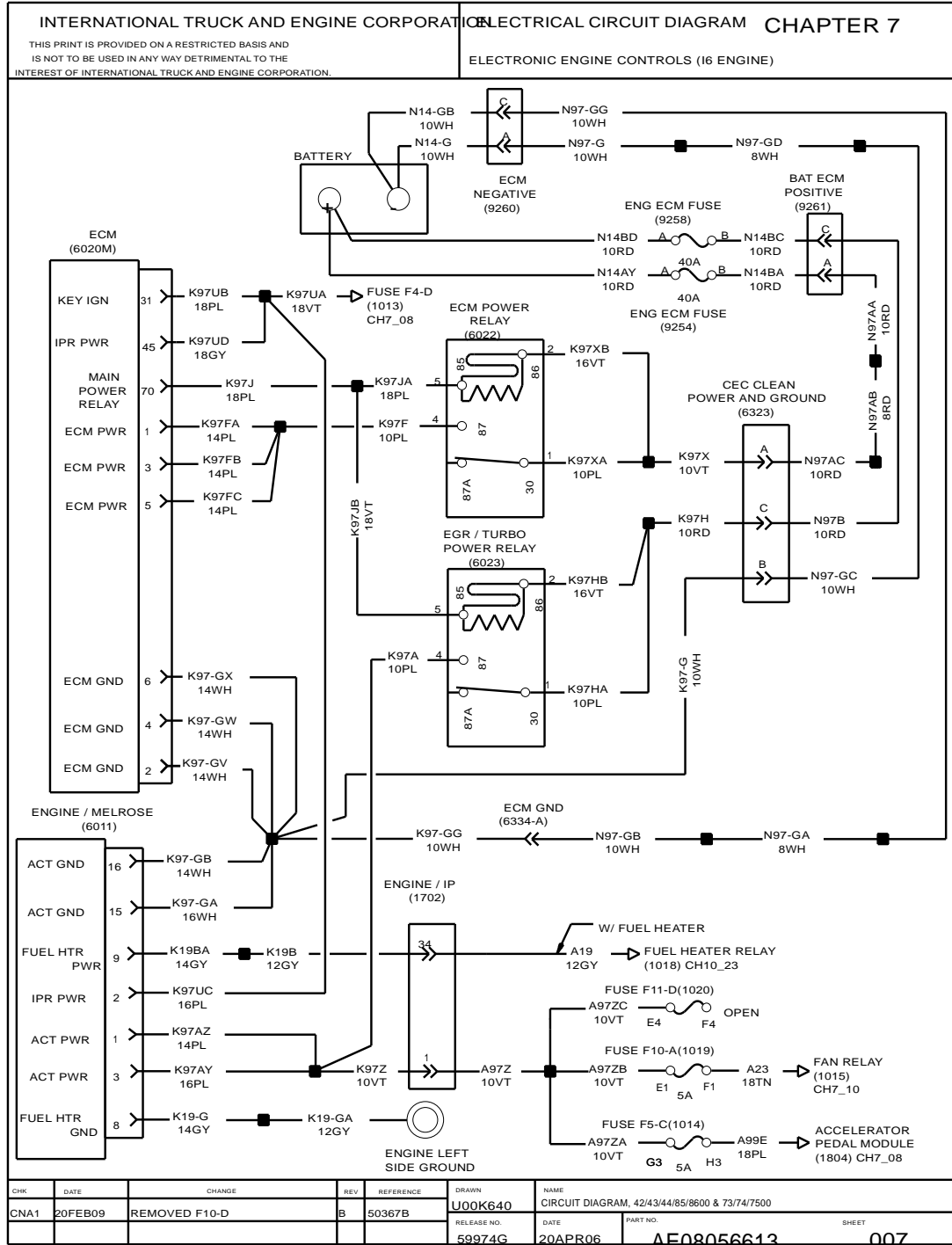


Figure 111 Electronic Engine Controls, I6 Engines

7.10. ELECTRONIC ENGINE CONTROLS, I6 ENGINES (CONT.), P. 8

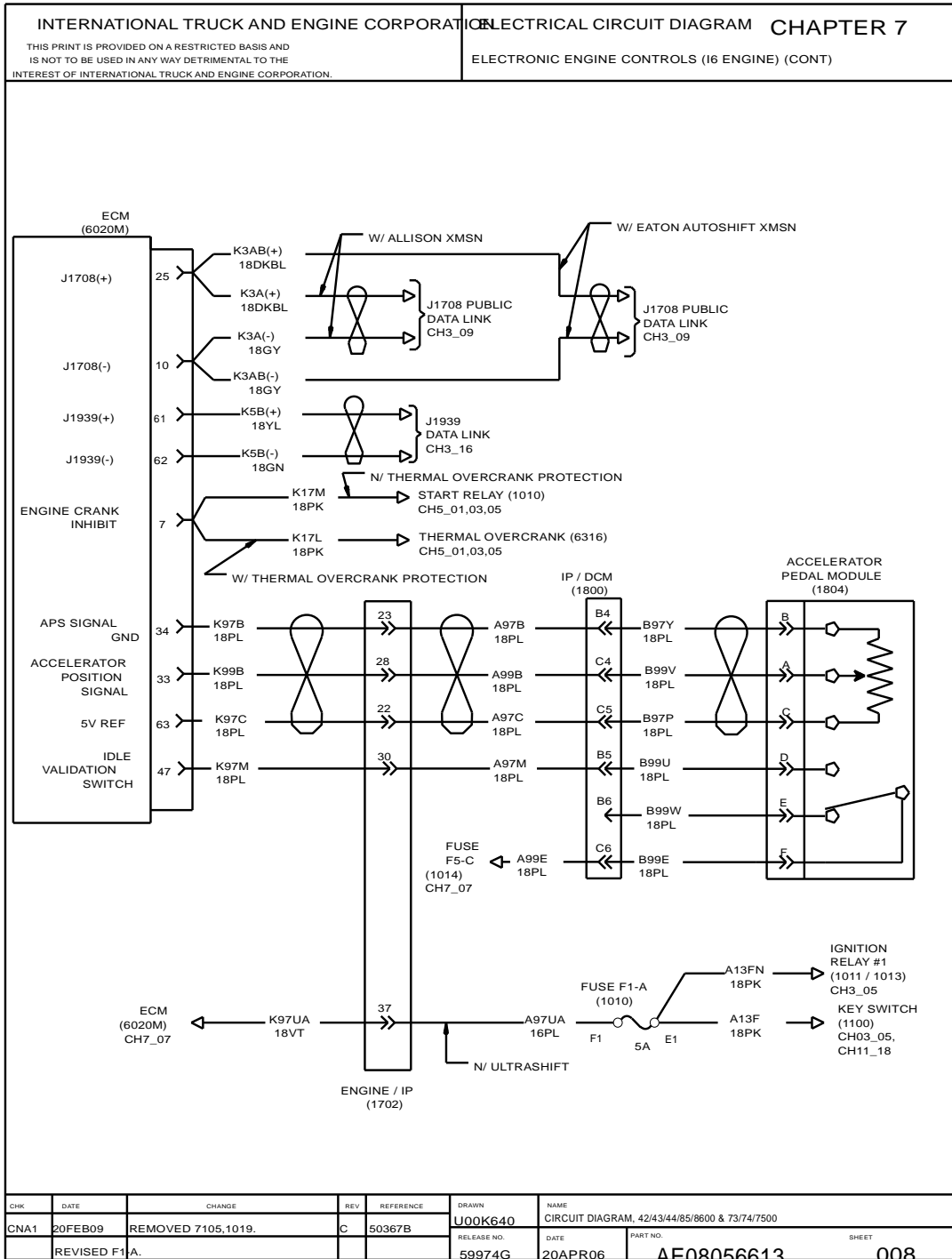


Figure 112 Electronic Engine Controls, I6 Engines (Cont.)

7.11. ELECTRONIC ENGINE CONTROLS, I6 ENGINES (CONT.), P. 9

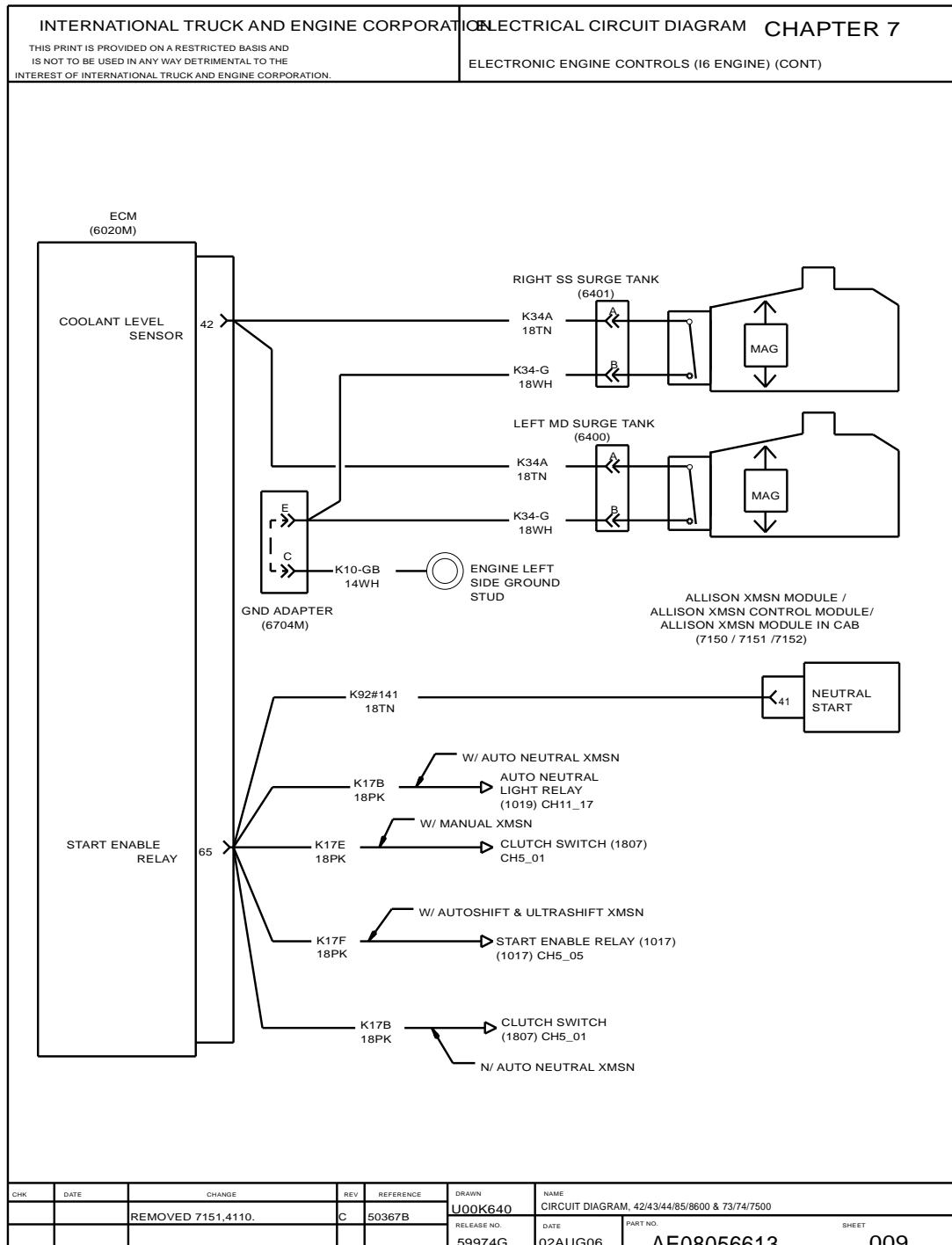


Figure 113 Electronic Engine Controls, I6 Engines (Cont.)

7.12. ELECTRONIC ENGINE CONTROLS, I6 ENGINES (CONT.), P. 10

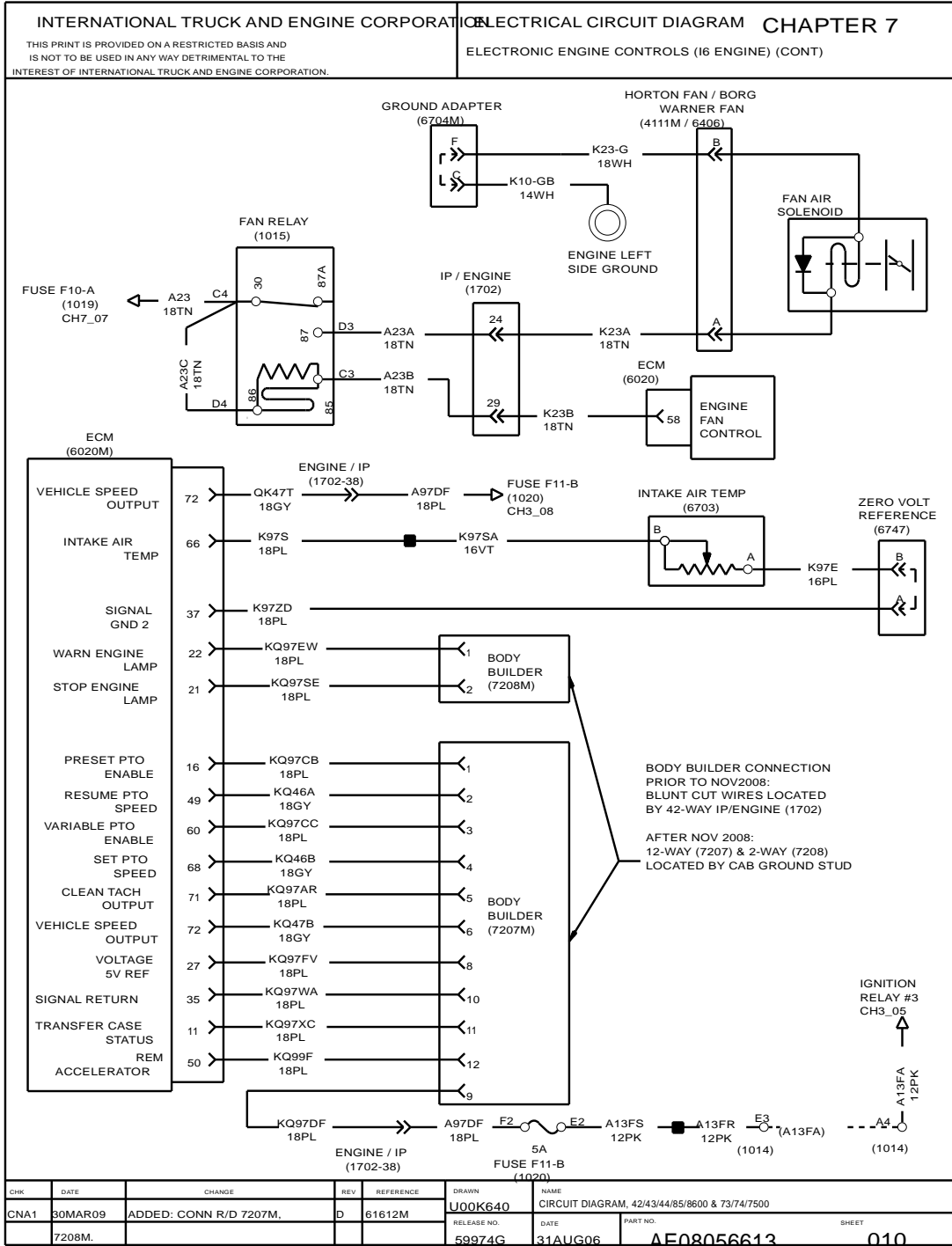


Figure 114 Electronic Engine Controls, I6 Engines (Cont.)

7.13. ELECTRONIC ENGINE CONTROLS, I6 ENGINES, P. 11

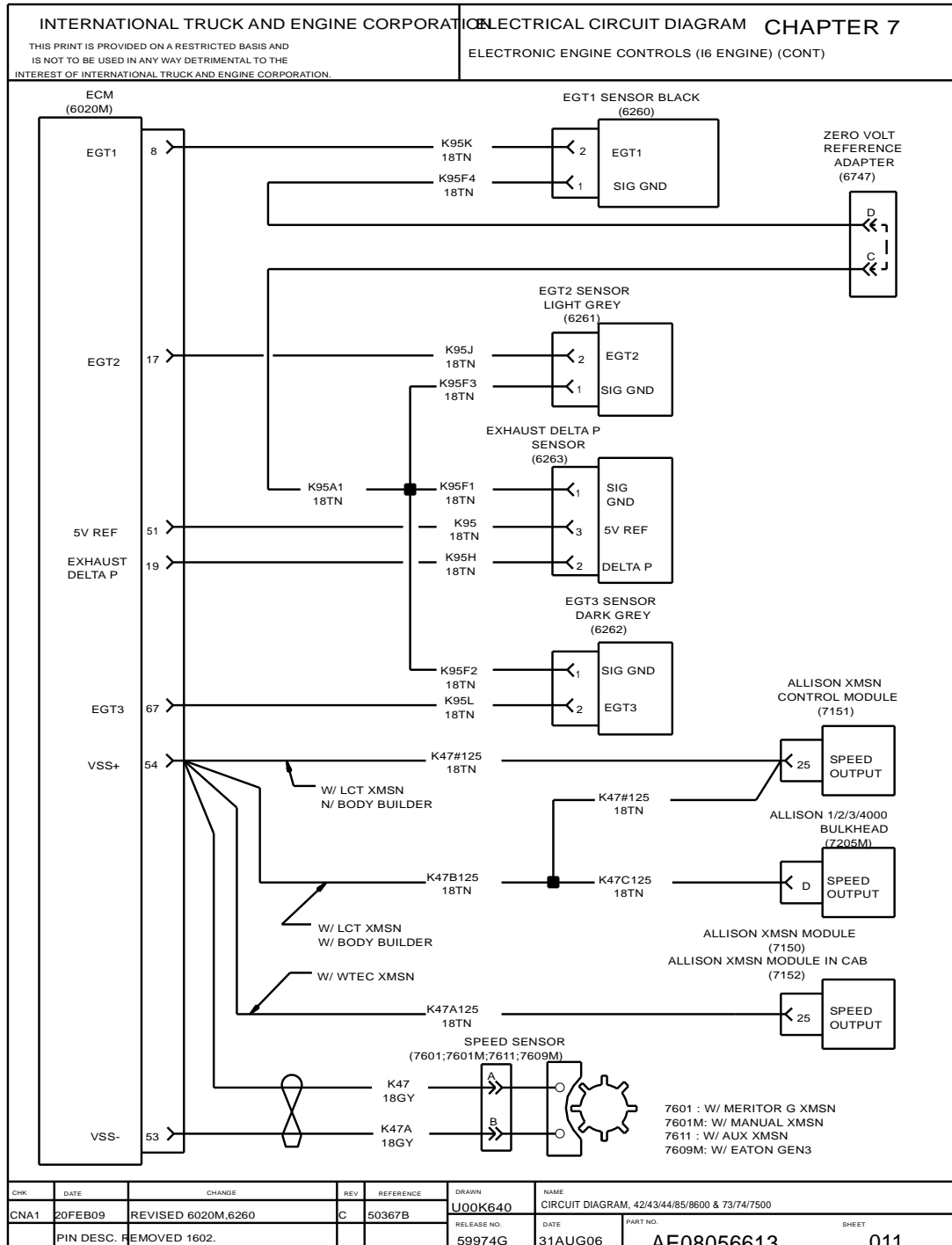


Figure 115 Electronic Engine Controls, I6 Engines (Cont.)

7.14. ELECTRONIC ENGINE CONTROLS – V8 ENGINES, P. 12

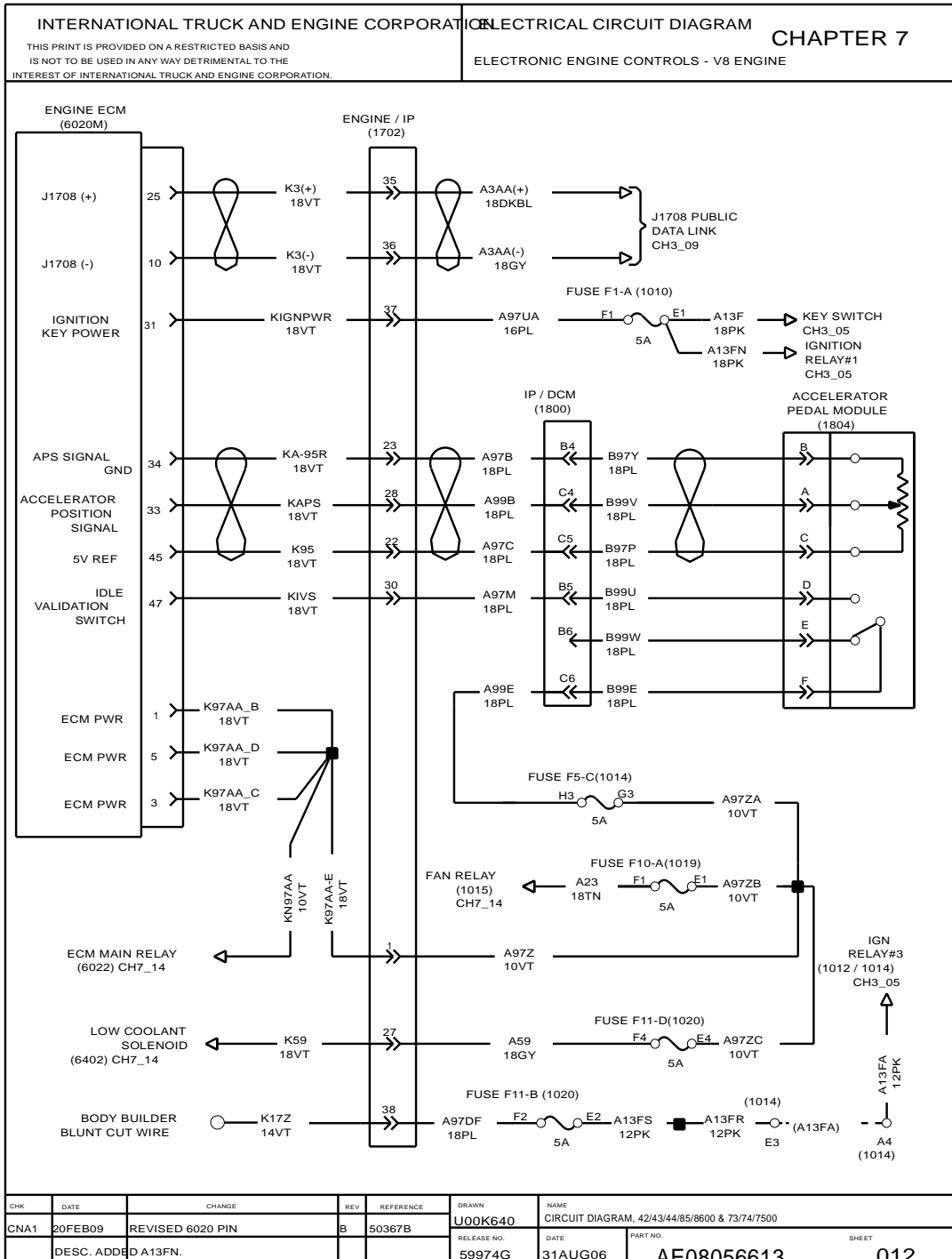


Figure 116 Electronic Engine Controls – V8 Engines



7.15. ELECTRONIC ENGINE CONTROLS – V8 ENGINES (CONT.), P. 13

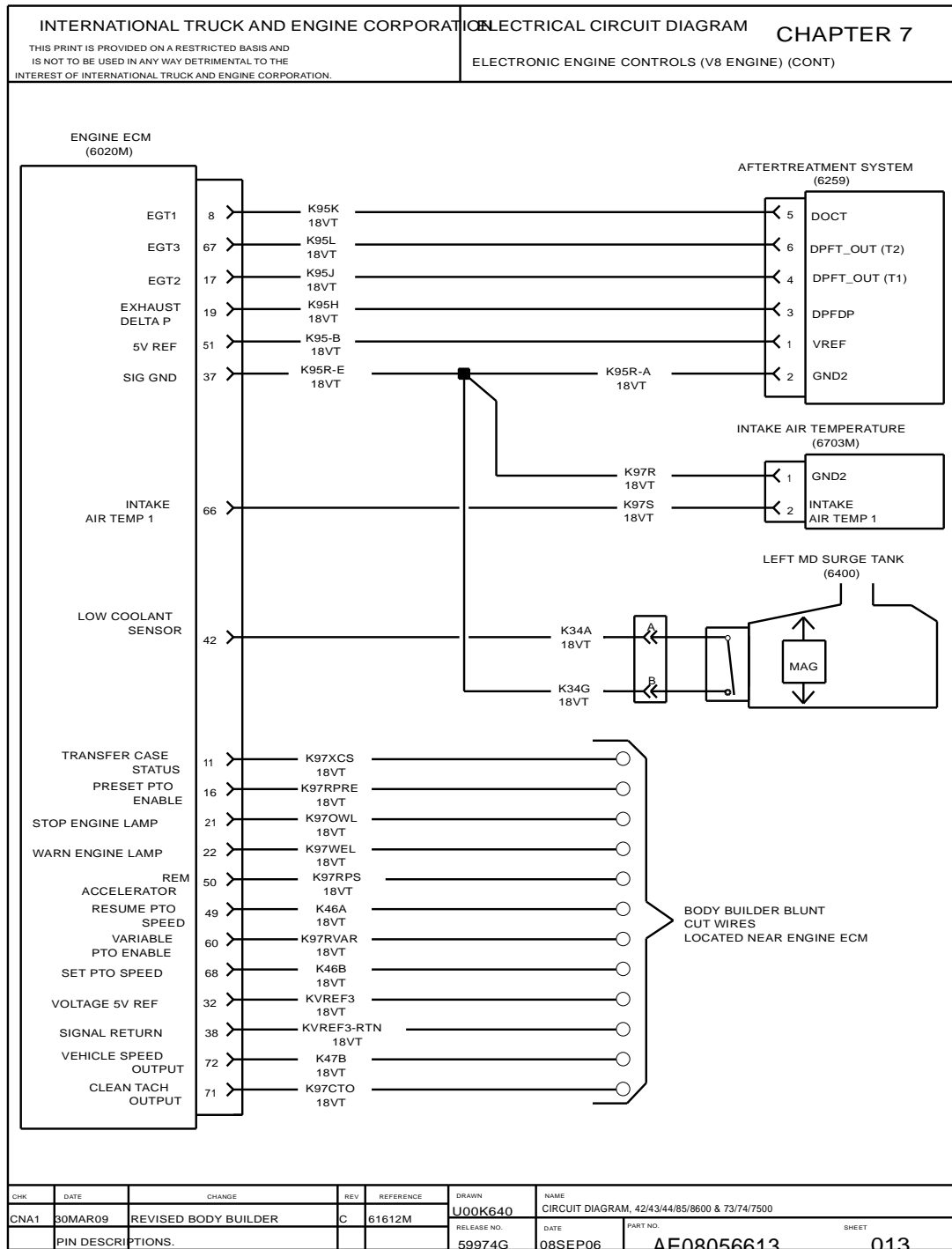


Figure 117 Electronic Engine Controls – V8 Engines (Cont.)

7.16. ELECTRONIC ENGINE CONTROLS – V8 ENGINES (CONT.), P. 14

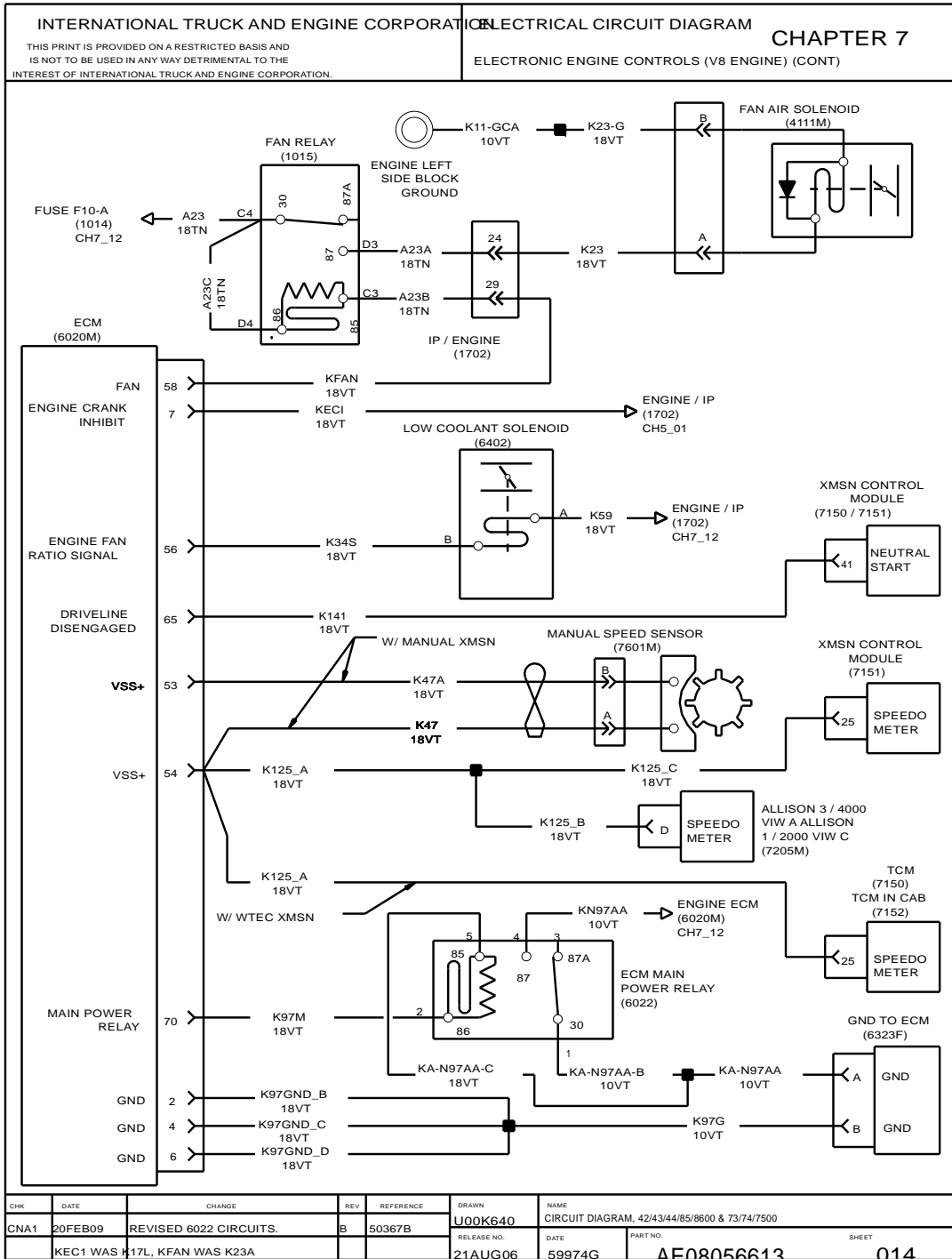


Figure 118 Electronic Engine Controls – V8 Engines (Cont.)

7.17. CRUISE CONTROL, P. 15

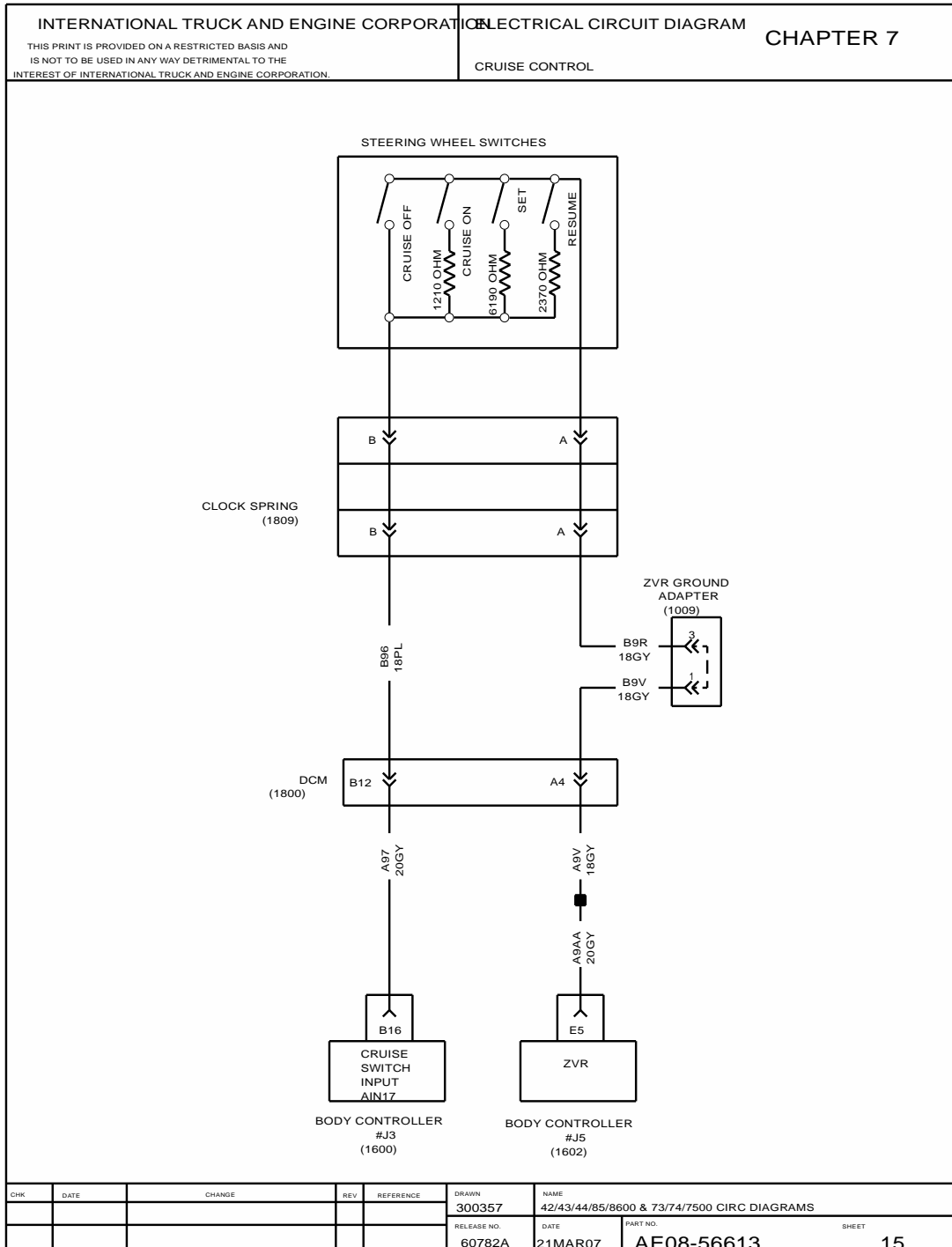


Figure 119 Cruise Control

7.18. ELECTRONIC ENGINE CONTROLS (IBB ENGINE), P. 16

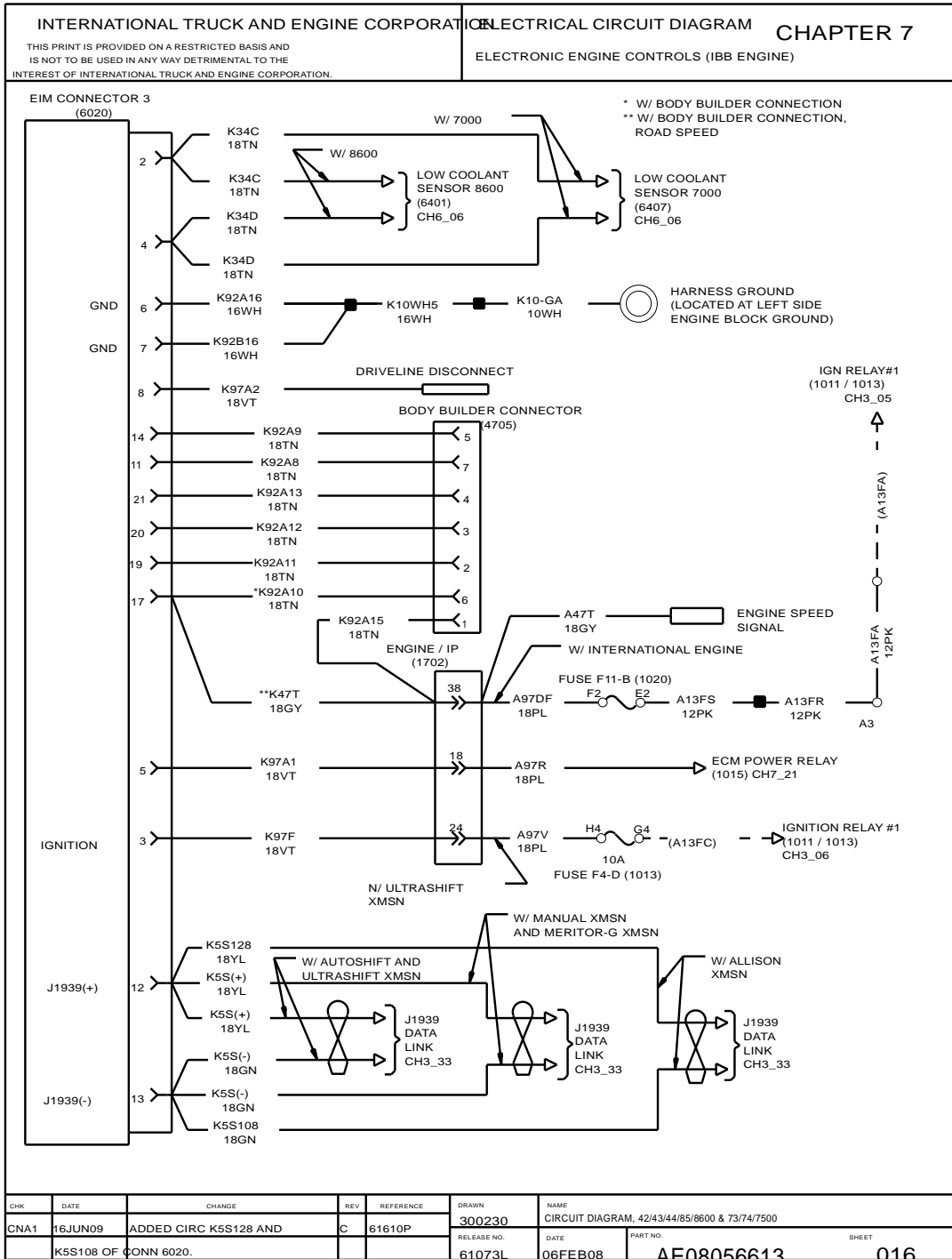


Figure 120 Electronic Engine Controls (IBB Engine)

7.19. ELECTRONIC ENGINE CONTROLS (IBB ENGINE) (CONT.), P. 17

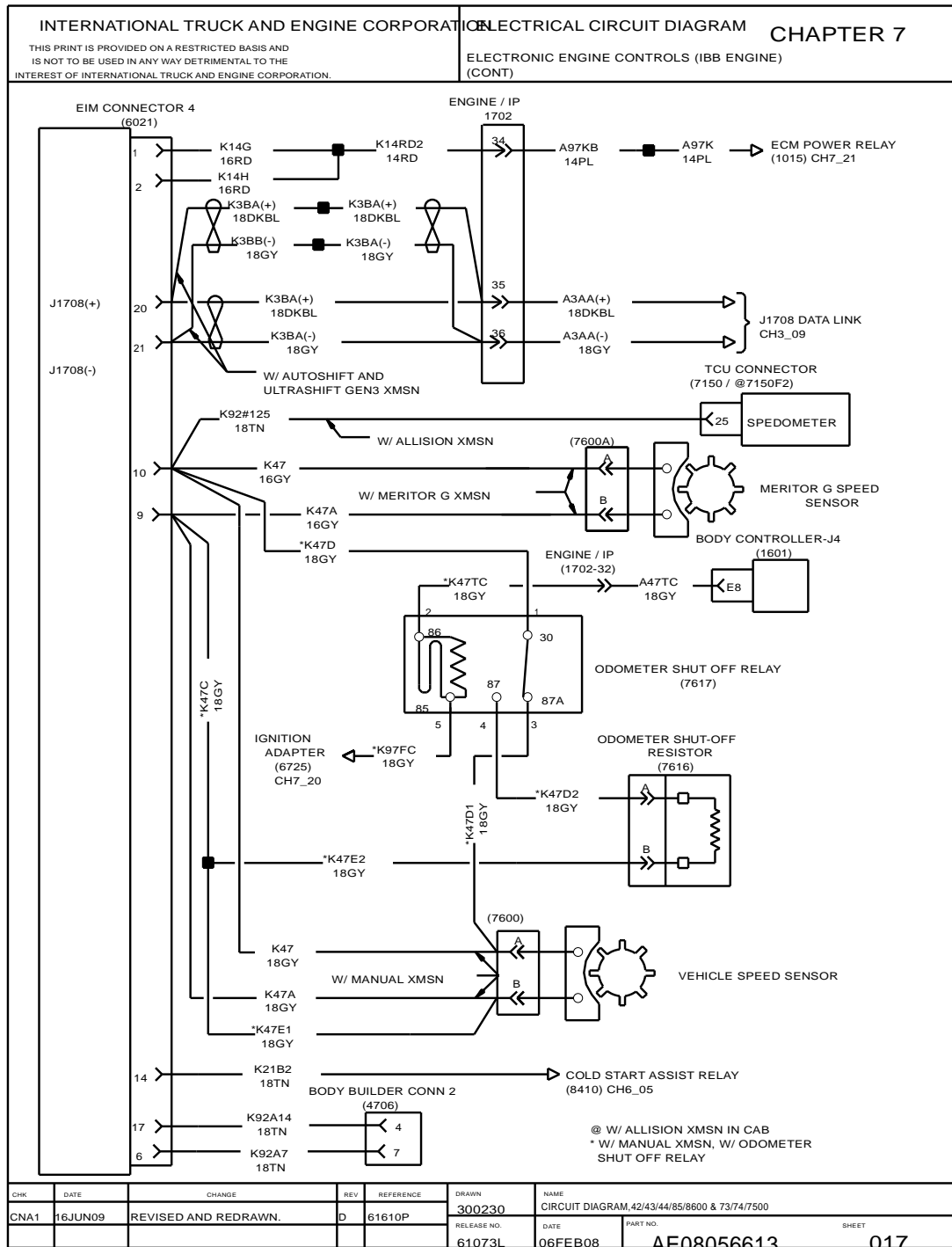


Figure 121 Electronic Engine Controls (IBB Engine) (Cont.)

7.20. ELECTRONIC ENGINE CONTROLS (IBB ENGINE) (CONT.), P. 17A

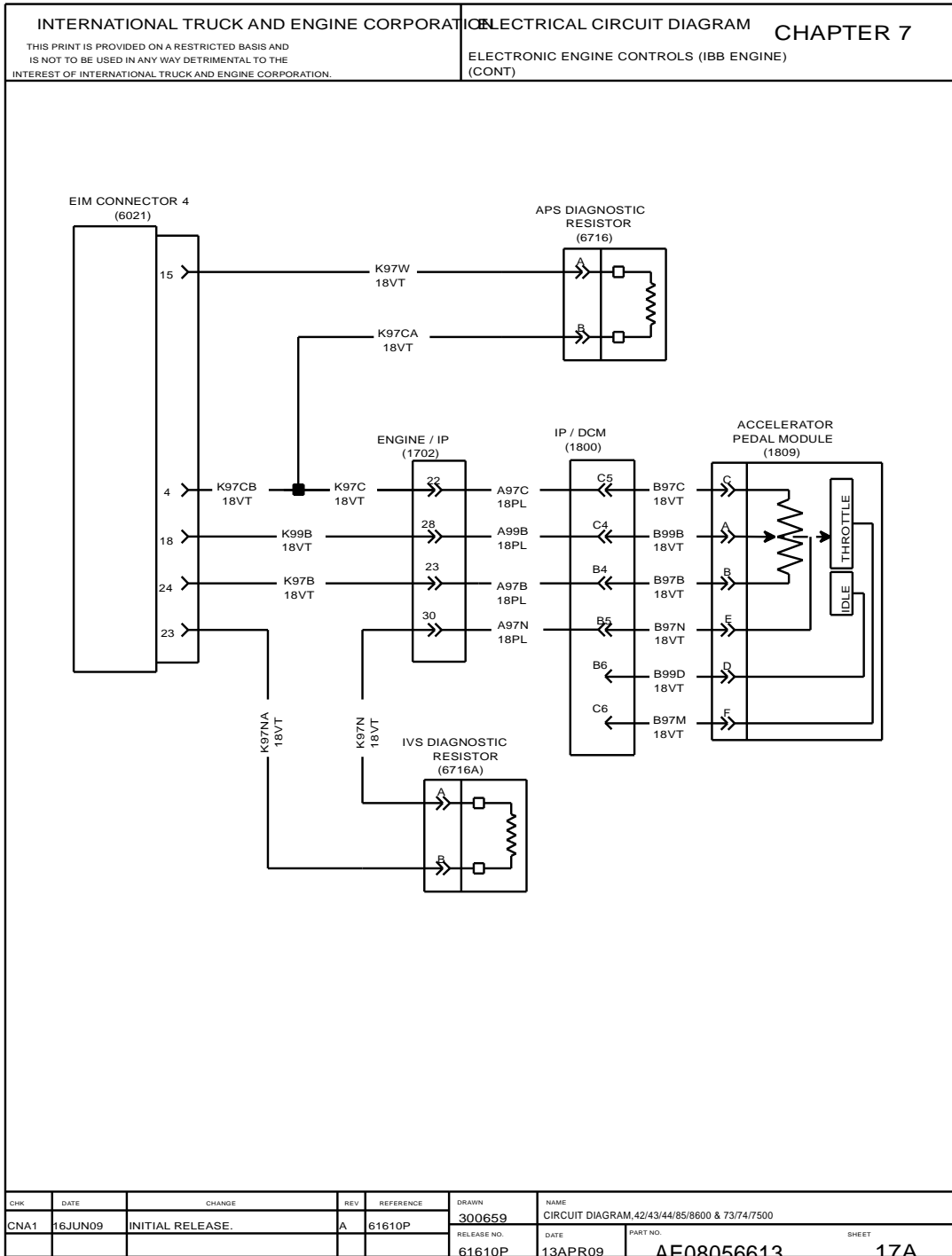


Figure 122 Electronic Engine Controls (IBB Engine) (Cont.)

7.21. ELECTRONIC ENGINE CONTROLS (IBB ENGINE) (CONT.), P. 18

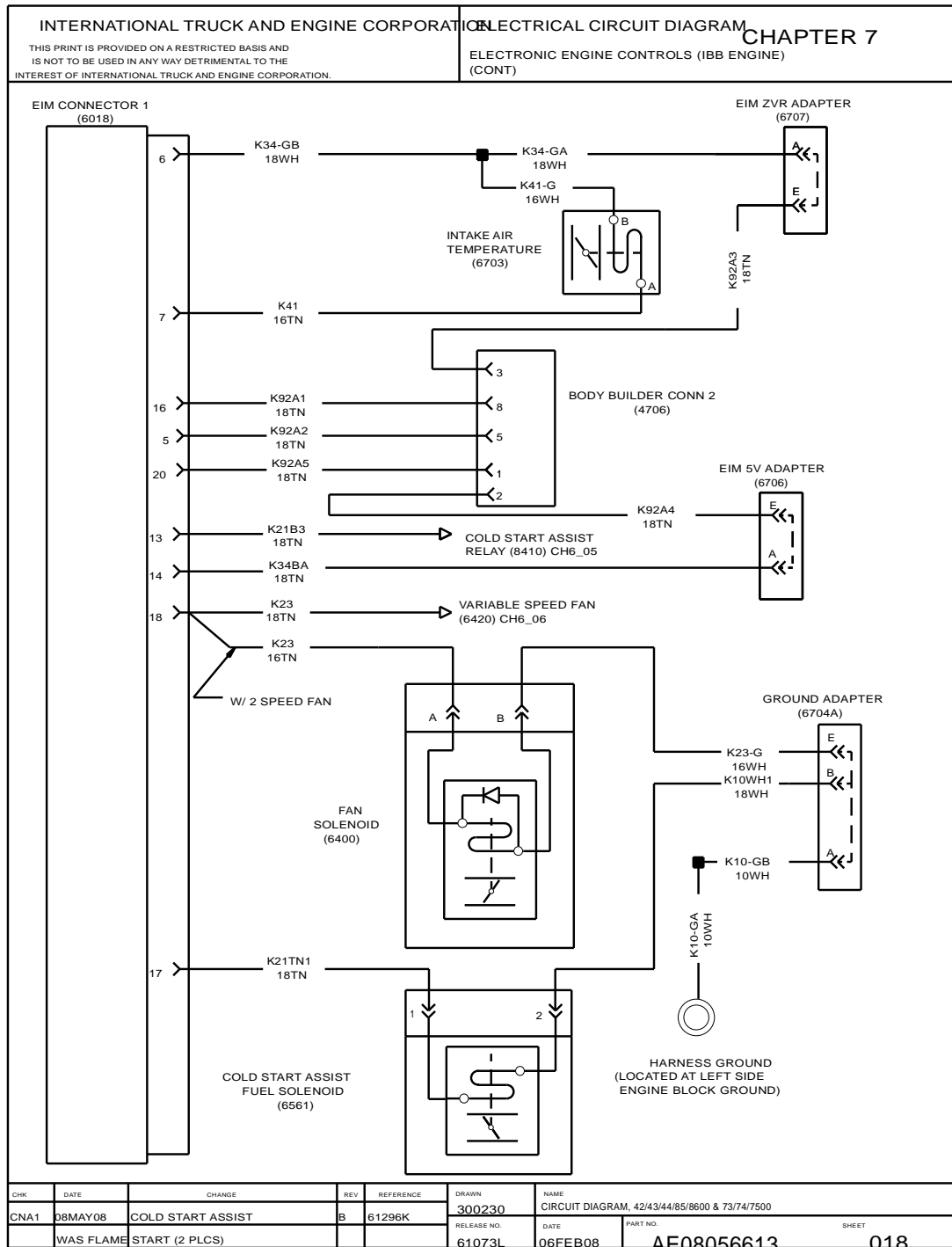


Figure 123 Electronic Engine Controls (IBB Engine) (Cont.)

7.22. ELECTRONIC ENGINE CONTROLS (IBB ENGINE) (CONT.), P. 19

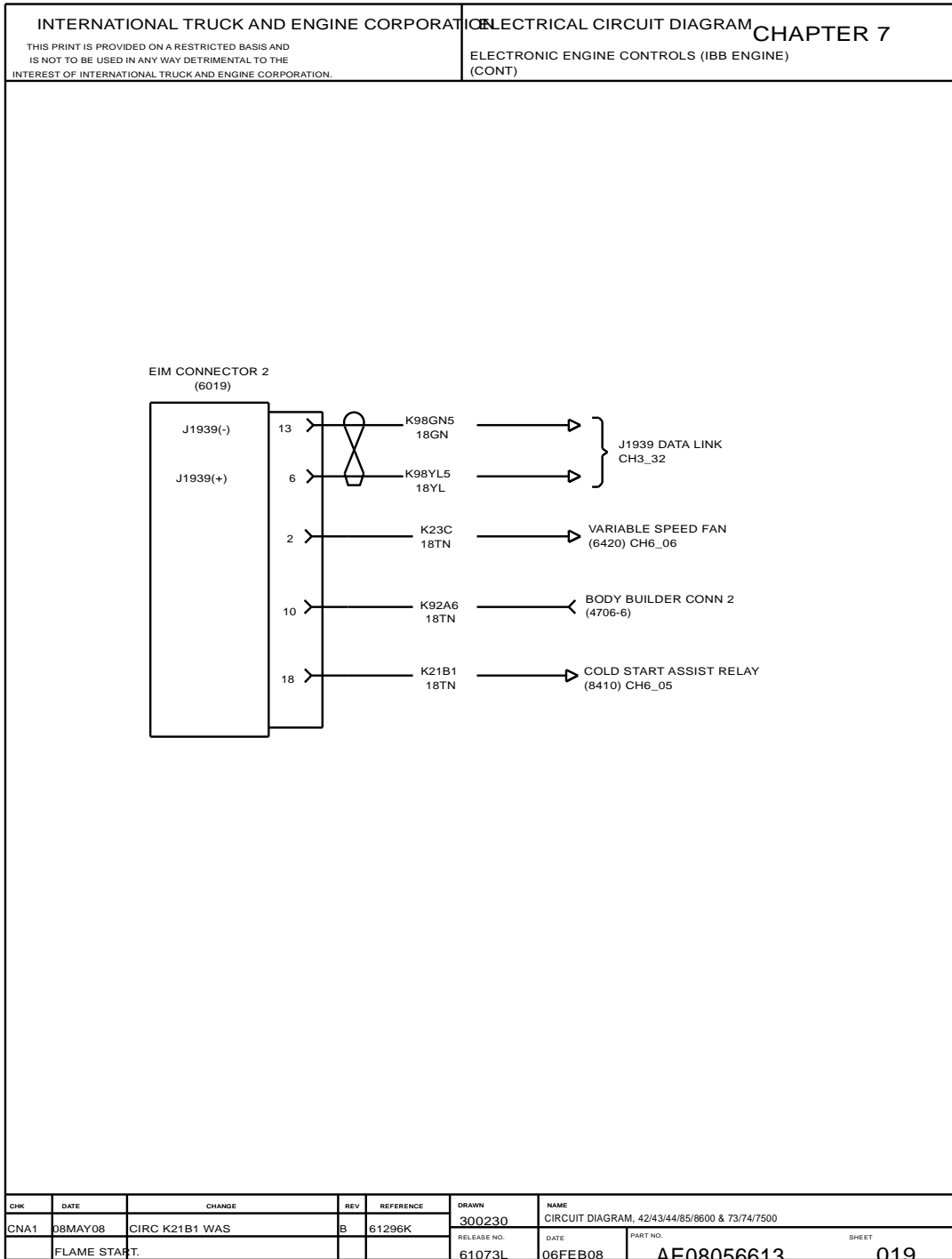


Figure 124 Electronic Engine Controls (IBB Engine) (Cont.)



7.23. ELECTRONIC ENGINE CONTROLS (IBB ENGINE) (CONT.), P. 20

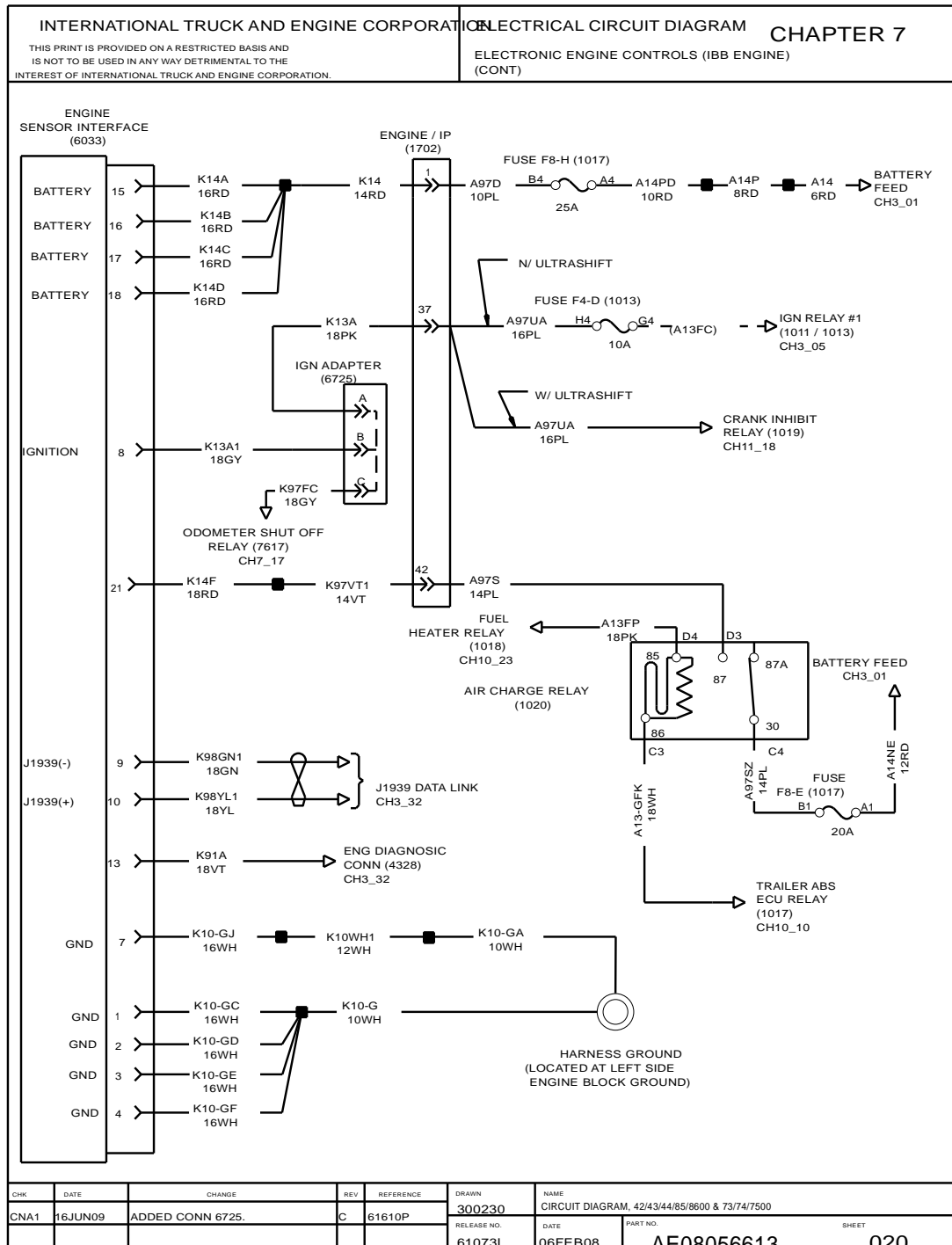


Figure 125 Electronic Engine Controls (IBB Engine) (Cont.)

7.24. AFTERTREATMENT (IBB ENGINE), P. 21

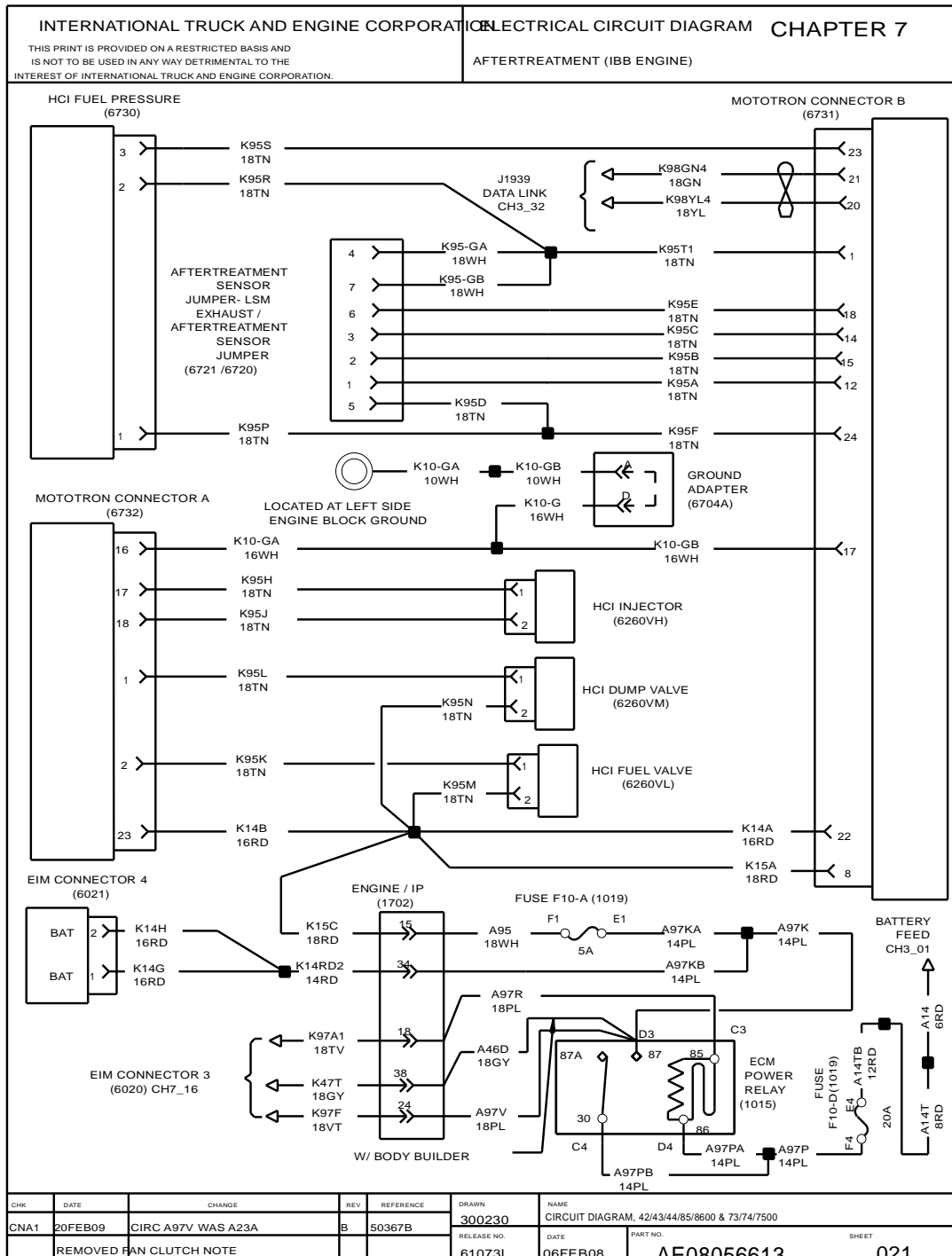


Figure 126 Aftertreatment (IBB Engine)

7.25. AFTERTREATMENT (CAT ENGINE), P. 22

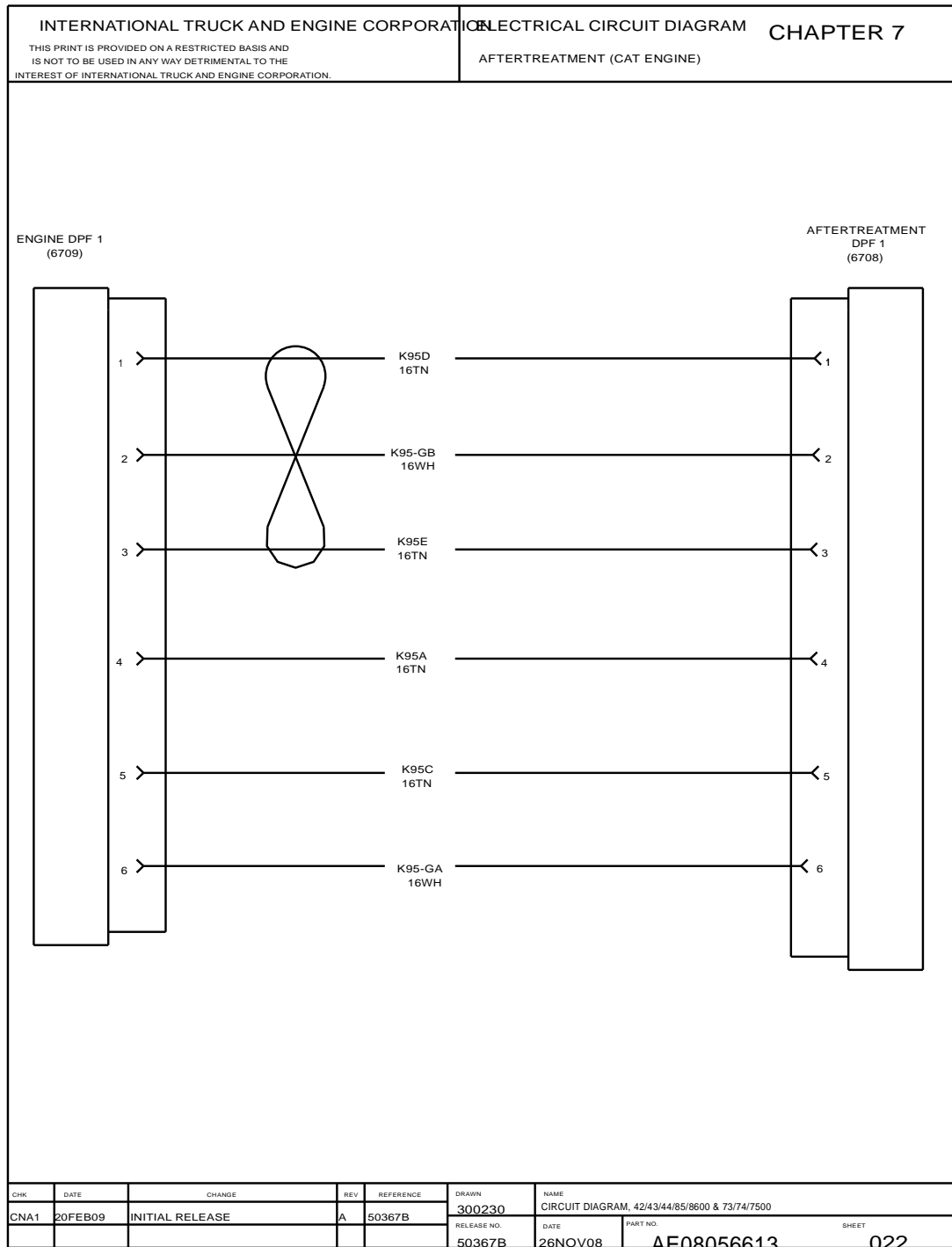


Figure 127 Aftertreatment (Cat Engine)

7.26. AFTERTREATMENT (ISM 2007 & EURO IV ISM ENGINE), P. 22A

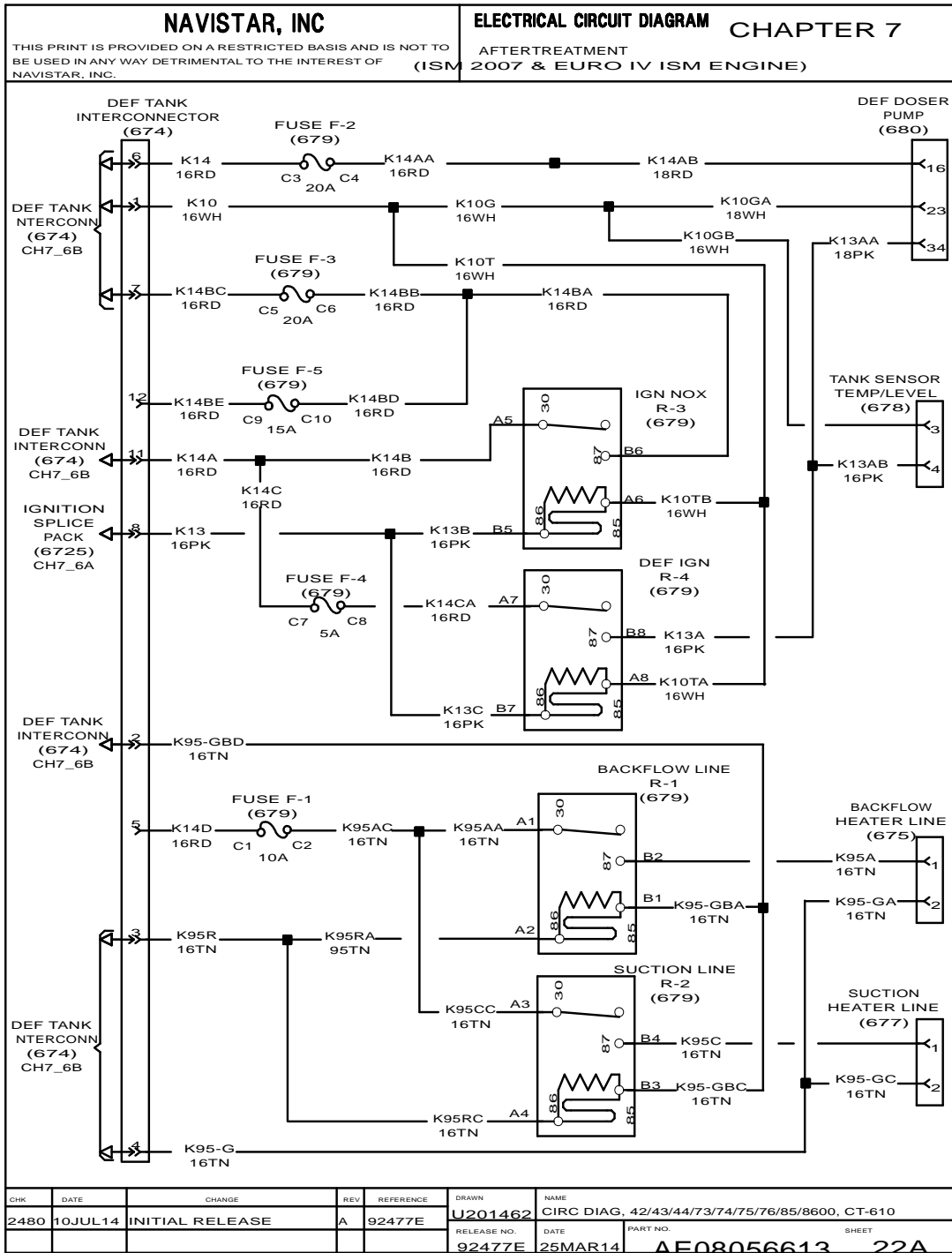


Figure 128 Aftertreatment (ISM 2007 & Euro IV ISM Engine)

7.27. AFTERTREATMENT (ISM 2007 & EURO IV ISM ENGINE), P. 22B

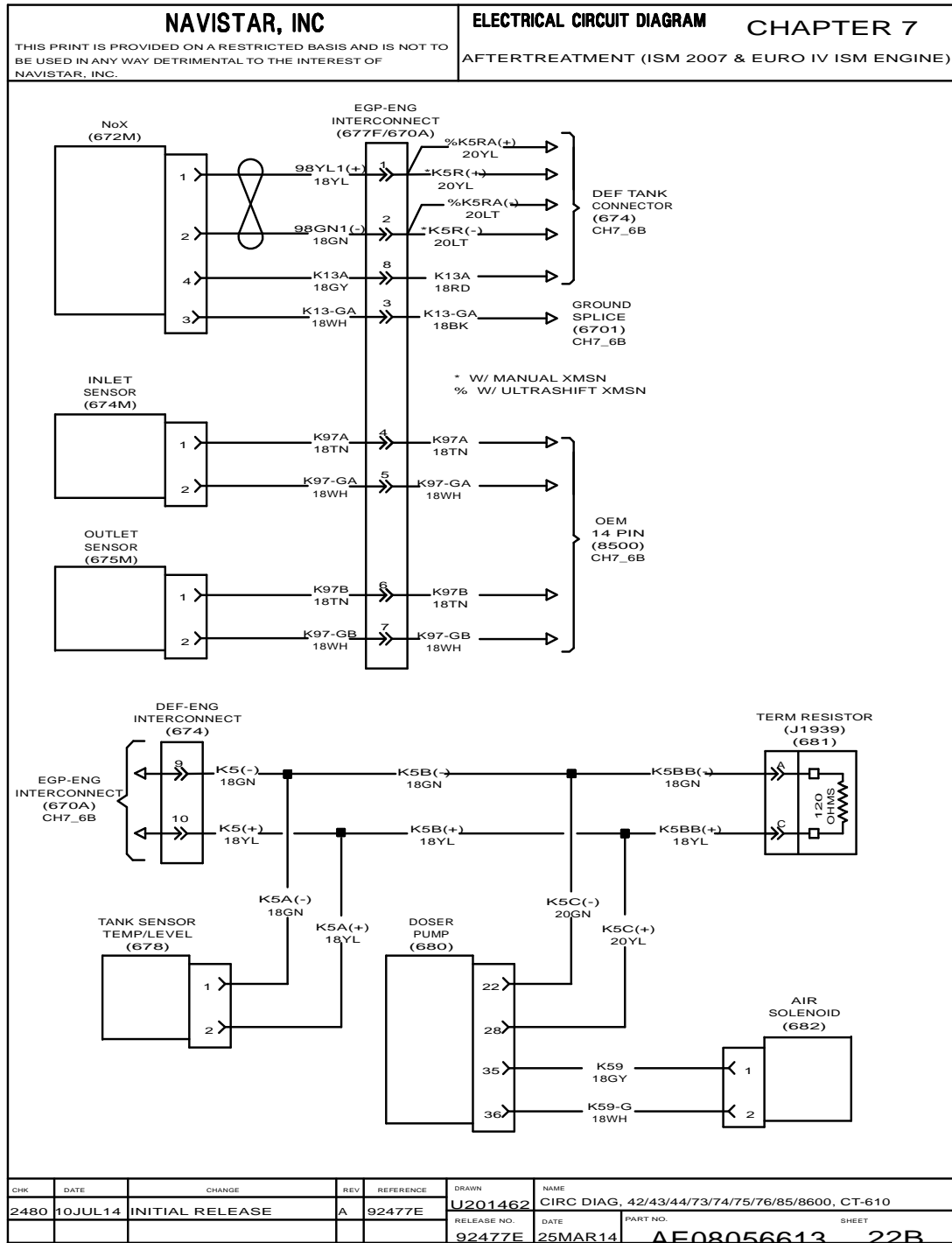


Figure 129 Aftertreatment (ISM 2007 & Euro IV ISM Engine)

**GAUGES WITH AND WITHOUT INTERNAL WARNING LIGHT (CHAPTER 8)**

**8.1. IP / GAUGES, P. 1**

<b>INTERNATIONAL TRUCK AND ENGINE CORPORATION</b> <small>THIS PRINT IS PROVIDED ON A RESTRICTED BASIS AND IS NOT TO BE USED IN ANY WAY DETRIMENTAL TO THE INTEREST OF INTERNATIONAL TRUCK AND ENGINE CORPORATION.</small>				<b>ELECTRICAL CIRCUIT DIAGRAM</b> IP / GAUGES		<b>CHAPTER 8</b>																																																					
<p>INSTRUMENT PANEL GAUGES</p> <table border="1" style="width: 100%; border-collapse: collapse; margin: 20px auto;"> <thead> <tr> <th style="width: 20%;">GAUGE</th> <th style="width: 5%;">WARN LIGHT</th> <th style="width: 55%;">SIGNAL PATH</th> <th style="width: 20%;">SENSOR LOCATION</th> </tr> </thead> <tbody> <tr> <td>RPM (TACH)</td> <td>NO</td> <td>ENGINE CTRLR / DRIVE TRAIN J1939 / CLUSTER</td> <td>ENGINE</td> </tr> <tr> <td>MPH/KPH (SPD)</td> <td>NO</td> <td>ENGINE CTRLR / DRIVE TRAIN J1939 / CLUSTER</td> <td>TRANSMISSION</td> </tr> <tr> <td>FUEL</td> <td>YES</td> <td>SYSTEM CTRLR / DRIVE TRAIN J1939 / CLUSTER</td> <td>FUEL TANK</td> </tr> <tr> <td>VOLT</td> <td>YES</td> <td>SYSTEM CTRLR / DRIVE TRAIN J1939 / CLUSTER</td> <td>-</td> </tr> <tr> <td>AIR 1 (PRES)</td> <td>YES</td> <td>SYSTEM CTRLR / DRIVE TRAIN J1939 / CLUSTER</td> <td>INSIDE CAB-DASH PNL</td> </tr> <tr> <td>AIR 2 (PRES)</td> <td>YES</td> <td>SYSTEM CTRLR / DRIVE TRAIN J1939 / CLUSTER</td> <td>STEERING COL AREA</td> </tr> <tr> <td>WATER (TEMP)</td> <td>YES</td> <td>ENGINE CTRLR / DRIVE TRAIN J1939 / CLUSTER</td> <td>ENGINE</td> </tr> <tr> <td>ENG OIL (TEMP)</td> <td>YES</td> <td>ENGINE CTRLR / DRIVE TRAIN J1939 / CLUSTER</td> <td>ENGINE</td> </tr> <tr> <td>OIL (PRES)</td> <td>YES</td> <td>ENGINE CTRLR / DRIVE TRAIN J1939 / CLUSTER</td> <td>ENGINE</td> </tr> <tr> <td>TRANS (TEMP)</td> <td>YES</td> <td>SYSTEM CTRLR / DRIVE TRAIN J1939 / CLUSTER</td> <td>TRANSMISSION</td> </tr> <tr> <td>AIR APPLICATION</td> <td>NO</td> <td>SYSTEM CTRLR / DRIVE TRAIN J1939 / CLUSTER</td> <td>FWD CHASSIS</td> </tr> <tr> <td>REAR AXLE TEMP</td> <td>YES</td> <td>SYSTEM CTRLR / DRIVE TRAIN J1939 / CLUSTER</td> <td>AXLE</td> </tr> </tbody> </table> <p style="margin-top: 20px;">NOTES: 1. WARNING LIGHTS ARE PART OF THE GAUGES AND LOCATED IN THE GAUGE</p>								GAUGE	WARN LIGHT	SIGNAL PATH	SENSOR LOCATION	RPM (TACH)	NO	ENGINE CTRLR / DRIVE TRAIN J1939 / CLUSTER	ENGINE	MPH/KPH (SPD)	NO	ENGINE CTRLR / DRIVE TRAIN J1939 / CLUSTER	TRANSMISSION	FUEL	YES	SYSTEM CTRLR / DRIVE TRAIN J1939 / CLUSTER	FUEL TANK	VOLT	YES	SYSTEM CTRLR / DRIVE TRAIN J1939 / CLUSTER	-	AIR 1 (PRES)	YES	SYSTEM CTRLR / DRIVE TRAIN J1939 / CLUSTER	INSIDE CAB-DASH PNL	AIR 2 (PRES)	YES	SYSTEM CTRLR / DRIVE TRAIN J1939 / CLUSTER	STEERING COL AREA	WATER (TEMP)	YES	ENGINE CTRLR / DRIVE TRAIN J1939 / CLUSTER	ENGINE	ENG OIL (TEMP)	YES	ENGINE CTRLR / DRIVE TRAIN J1939 / CLUSTER	ENGINE	OIL (PRES)	YES	ENGINE CTRLR / DRIVE TRAIN J1939 / CLUSTER	ENGINE	TRANS (TEMP)	YES	SYSTEM CTRLR / DRIVE TRAIN J1939 / CLUSTER	TRANSMISSION	AIR APPLICATION	NO	SYSTEM CTRLR / DRIVE TRAIN J1939 / CLUSTER	FWD CHASSIS	REAR AXLE TEMP	YES	SYSTEM CTRLR / DRIVE TRAIN J1939 / CLUSTER	AXLE
GAUGE	WARN LIGHT	SIGNAL PATH	SENSOR LOCATION																																																								
RPM (TACH)	NO	ENGINE CTRLR / DRIVE TRAIN J1939 / CLUSTER	ENGINE																																																								
MPH/KPH (SPD)	NO	ENGINE CTRLR / DRIVE TRAIN J1939 / CLUSTER	TRANSMISSION																																																								
FUEL	YES	SYSTEM CTRLR / DRIVE TRAIN J1939 / CLUSTER	FUEL TANK																																																								
VOLT	YES	SYSTEM CTRLR / DRIVE TRAIN J1939 / CLUSTER	-																																																								
AIR 1 (PRES)	YES	SYSTEM CTRLR / DRIVE TRAIN J1939 / CLUSTER	INSIDE CAB-DASH PNL																																																								
AIR 2 (PRES)	YES	SYSTEM CTRLR / DRIVE TRAIN J1939 / CLUSTER	STEERING COL AREA																																																								
WATER (TEMP)	YES	ENGINE CTRLR / DRIVE TRAIN J1939 / CLUSTER	ENGINE																																																								
ENG OIL (TEMP)	YES	ENGINE CTRLR / DRIVE TRAIN J1939 / CLUSTER	ENGINE																																																								
OIL (PRES)	YES	ENGINE CTRLR / DRIVE TRAIN J1939 / CLUSTER	ENGINE																																																								
TRANS (TEMP)	YES	SYSTEM CTRLR / DRIVE TRAIN J1939 / CLUSTER	TRANSMISSION																																																								
AIR APPLICATION	NO	SYSTEM CTRLR / DRIVE TRAIN J1939 / CLUSTER	FWD CHASSIS																																																								
REAR AXLE TEMP	YES	SYSTEM CTRLR / DRIVE TRAIN J1939 / CLUSTER	AXLE																																																								
CHK	DATE	CHANGE	REV	REFERENCE	DRAWN	NAME																																																					
CNA	05MAY07	REVISED & REDRAWN	A	60782A	U00K640	42/43/44/85/8600 & 73/74/7500 CIRC DIAGRAMS																																																					
					RELEASE NO.	DATE	PART NO. SHEET																																																				
					59974G	20APR06	AE08-56614 01																																																				

Figure 130 IP / Gauges

8.2. WARNING LIGHT LIST, P. 2

INTERNATIONAL TRUCK AND ENGINE CORPORATION				ELECTRICAL CIRCUIT DIAGRAM CHAPTER 8			
THIS PRINT IS PROVIDED ON A RESTRICTED BASIS AND IS NOT TO BE USED IN ANY WAY DETRIMENTAL TO THE INTEREST OF INTERNATIONAL TRUCK AND ENGINE CORPORATION.				WARNING LIGHTS LIST			
IP WARNING LIGHTS							
WARNING LIGHT TITLE	SIGNAL PATH					SENSOR LOCATION	
RANGE INHIBITED	TRANS CTRLR / DRIVE TRAIN J1939 / CLUSTER						
FUEL FILTER	SYSTEM CTRLR / DRIVE TRAIN J1939 / CLUSTER					FUEL FILTER	
ENGINE (YELLOW LED)	ENGINE CTRLR / DRIVE TRAIN J1939 / CLUSTER						
ENGINE (RED LED)	ENGINE CTRLR / DRIVE TRAIN J1939 / CLUSTER						
BRAKE PRESSURE (O)	SYSTEM CTRLR / DRIVE TRAIN J1939 / CLUSTER					SWITCH	
BRAKE FLUID	SYSTEM CTRLR / DRIVE TRAIN J1939 / CLUSTER					BRK RESERVOIR	
TRAC CTRL	TRUCK ABS CTRLR / DRIVE TRAIN J1939 / CLUSTER						
CHECK TRANS	TRANS CTRLR / DRIVE TRAIN J1939 / CLUSTER						
TRAILER ABS	TRLR ABS CTRLR / DRIVE TRAIN J1939 / CLUSTER						
WASHER FLUID (LEFT TURN)	SYSTEM CTRLR / DRIVE TRAIN J1939 / CLUSTER					WASHER BOTTLE	
AIR BAG	DISCRETE NOT ON DATA BUS						
WATER IN FUEL	SYSTEM CTRLR / DRIVE TRAIN J1939 / CLUSTER					FUEL FILTER	
COOLANT LEVEL	ENGINE CTRLR / DRIVE TRAIN J1939 / CLUSTER					SURGE TANK	
CHECK ELECT SYS	SYSTEM CTRLR / DRIVE TRAIN J1939 / CLUSTER						
PARK (P)	SYSTEM CTRLR / DRIVE TRAIN J1939 / CLUSTER					SWITCH	
CRUISE ABS	SYSTEM CTRLR / DRIVE TRAIN J1939 / CLUSTER						
(RIGHT TURN)	TRUCK CTRLR / DRIVE TRAIN J1939 / CLUSTER						
WAIT TO START	SYSTEM CTRLR / DRIVE TRAIN J1939 / CLUSTER						
ENGINE CTRLR	ENGINE CTRLR / DRIVE TRAIN J1939 / CLUSTER						
FASTEN BELTS	SYSTEM CTRLR / DRIVE TRAIN J1939 / CLUSTER						
(HIGH BEAM IND)	SYSTEM CTRLR / DRIVE TRAIN J1939 / CLUSTER						
COLD AMB PROTEC	SYSTEM CTRLR / DRIVE TRAIN J1939 / CLUSTER						
RETARD OVERHEAT	TRANS CTRLR / DRIVE TRAIN J1939 / CLUSTER					TRANSMISSION	
CHECK AC	SYSTEM CTRLR / DRIVE TRAIN J1939 / CLUSTER						
AUTO NEUTRAL	DISCRETE NOT ON DATA BUS					SWITCH	
ALTERNATOR	DISCRETE NOT ON DATA BUS						
PTO/THROTTLE	SYSTEM CTRLR / DRIVE TRAIN J1939 / CLUSTER						
OPTIMIZED IDLE	DISCRETE NOT ON DATA BUS						
SNOW VALVE	DISCRETE NOT ON DATA BUS					SNOW VALVE	
FR AXLE DIFF LOCK	DISCRETE NOT ON DATA BUS					FWD RR AXLE	
RR AXLE DIFF LOCK	DISCRETE NOT ON DATA BUS					RR RR AXLE	
MESSAGE WAIT	DISCRETE NOT ON DATA BUS						
PTO	DISCRETE NOT ON DATA BUS						
CONVERTER TEMP	DISCRETE NOT ON DATA BUS						
TOUCH LOC RELEASE	DISCRETE NOT ON DATA BUS						
PARK FLUID	SYSTEM CTRLR/DRIVE TRAIN						
FR AXLE ENGAGED	DISCRETE NOT ON DATA BUS					TRANSFER CASE	
CHK	DATE	CHANGE	REV	REFERENCE	DRAWN	NAME	
CNA	9MAY07	REVISED & REDRAWN	A	60782A	U00K640	42/43/44/85/8600 & 73/74/7500 CIRC DIAGRAMS	
					RELEASE NO.	DATE	PART NO.
					59974G	20APR06	AE08-56614
							SHEET 02

Figure 131 Warning Light List

8.3. WARNING LIGHTS CONTROLLED BY ENGINE, TRANSMISSION, ABS CONTROLLER, P. 3

INTERNATIONAL TRUCK AND ENGINE CORPORATION				ELECTRICAL CIRCUIT DIAGRAM		CHAPTER 8	
THIS PRINT IS PROVIDED ON A RESTRICTED BASIS AND IS NOT TO BE USED IN ANY WAY DETRIMENTAL TO THE INTEREST OF INTERNATIONAL TRUCK AND ENGINE CORPORATION.				WARNING LIGHTS CONTROLLED BY ENGINE, TRANSMISSION, ABS CONTROLLER			
<p>THE FOLLOWING WARNING LIGHTS ARE CONTROLLED BY THE ENGINE, TRANSMISSION, OR ABS CONTROLLER OVER THE DATA BUS AND DO NOT HAVE INDEPENDENT CIRCUITS THAT CAN BE OR NEEDS TO BE SHOWN:</p> <p>DO NOT SHIFT  ENGINE (YELLOW LENS)  ENGINE (RED LENS)  TRAC CTRL  CHECK TRANS  TRAILER ABS  CHECK ELECTR SYS  ABS  WAIT TO START  RETARD OVERHEAT  AUTO NEUTRAL  OPTIMIZED IDLE</p>							
CHK	DATE	CHANGE	REV	REFERENCE	DRAWN	NAME	
CNA	BMAY07	REVISED & REDRAWN	A	60782A	U00K640	42/43/44/85/8600 & 73/74/7500 CIRC DIAGRAMS	
					RELEASE NO.	DATE	PART NO. SHEET
					59974G	20APR06	AE08-56614 03

Figure 132 Warning Lights Controlled by Engine, Transmission, ABS Controller



8.4. ENGINE OIL PRESSURE AND TEMP, SPEEDOMETER, TACHOMETER, VOLTMETER AND WATER TEMP GAUGE CIRCUITS, P. 4

INTERNATIONAL TRUCK AND ENGINE CORPORATION THIS PRINT IS PROVIDED ON A RESTRICTED BASIS AND IS NOT TO BE USED IN ANY WAY DETRIMENTAL TO THE INTEREST OF INTERNATIONAL TRUCK AND ENGINE CORPORATION.				ELECTRICAL CIRCUIT DIAGRAM CHAPTER 8 ENG OIL PRESS & TEMP, SPEEDOMETER, TACH, VOLTMETER & WATER TEMP GAUGE CIRCUITS			
<p>REFER TO CONSOLIDATED ENGINE / VEHICLE CONTROLLER DIAGNOSTICS MANUAL EGES-175 (DT466E), EGES-190 (T444E), FOR CIRCUIT DIAGRAMS SHOWING INPUT CIRCUIT FOR THE FOLLOWING DATALINK DRIVEN SYSTEM:</p> <p>ENGINE OIL PRESSURE GAUGE ENGINE OIL TEMPERATURE GAUGE SPEEDOMETER GAUGE TACHOMETER GAUGE WATER TEMPERATURE GAUGE</p>							
CHK	DATE	CHANGE	REV	REFERENCE	DRAWN	NAME	
CNA	BMAY07	REVISED & REDRAWN	A	60782A	U00K640	42/43/44/85/8600 & 73/74/7500 CIRC DIAGRAMS	
					RELEASE NO.	DATE	
					59974G	20APR06	
					PART NO.	SHEET	
					AE08-56614	04	

Figure 133 Engine Oil Pressure and Temp, Speedometer, Tachometer, Voltmeter and Water Temp Gauge Circuits

8.5. IP GAUGES AND WARNING LIGHTS – GAUGE CLUSTER, P. 5

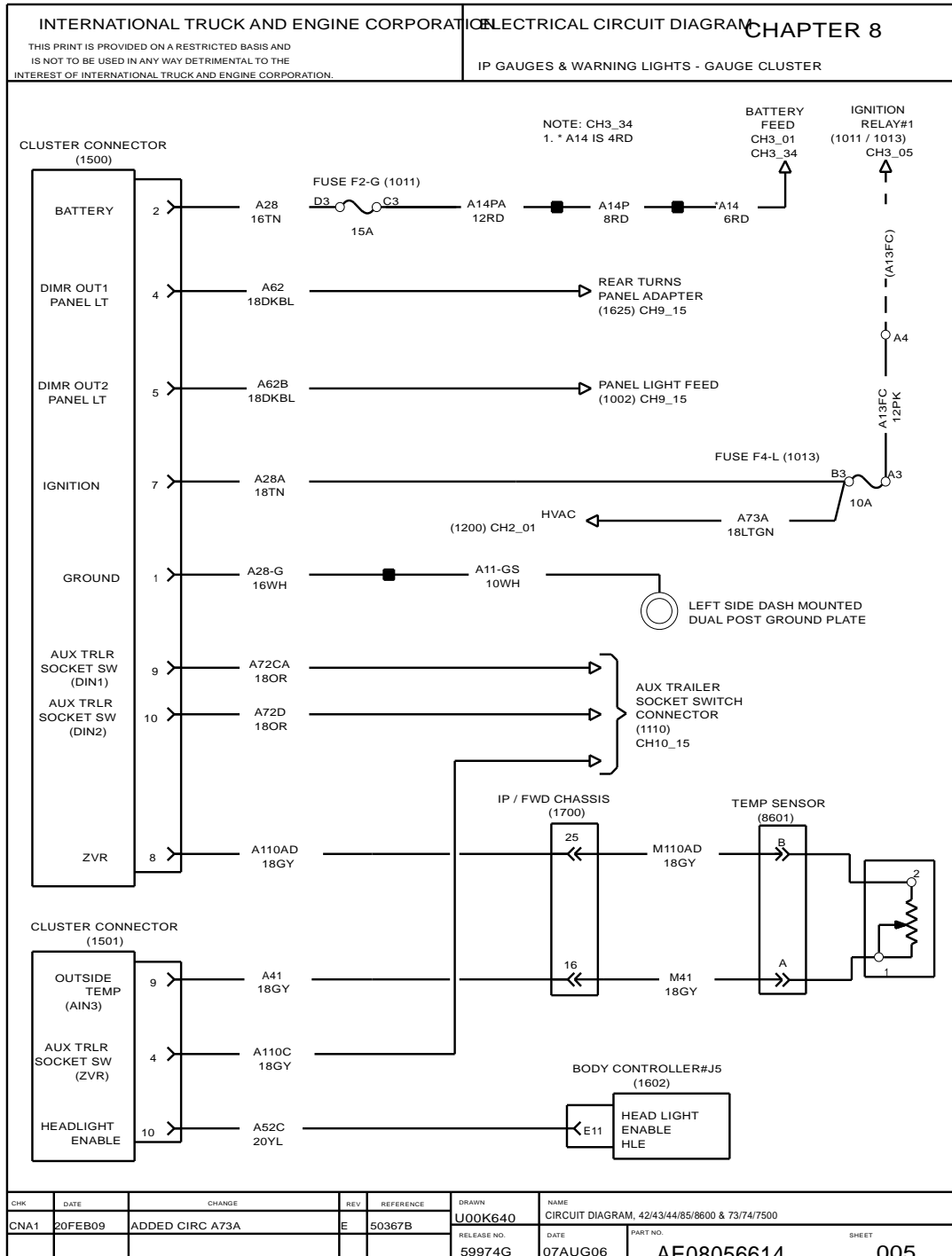


Figure 134 IP Gauges and Warning Lights – Gauge Cluster

8.6. AIR PRESSURE INPUT CIRCUIT, P. 6

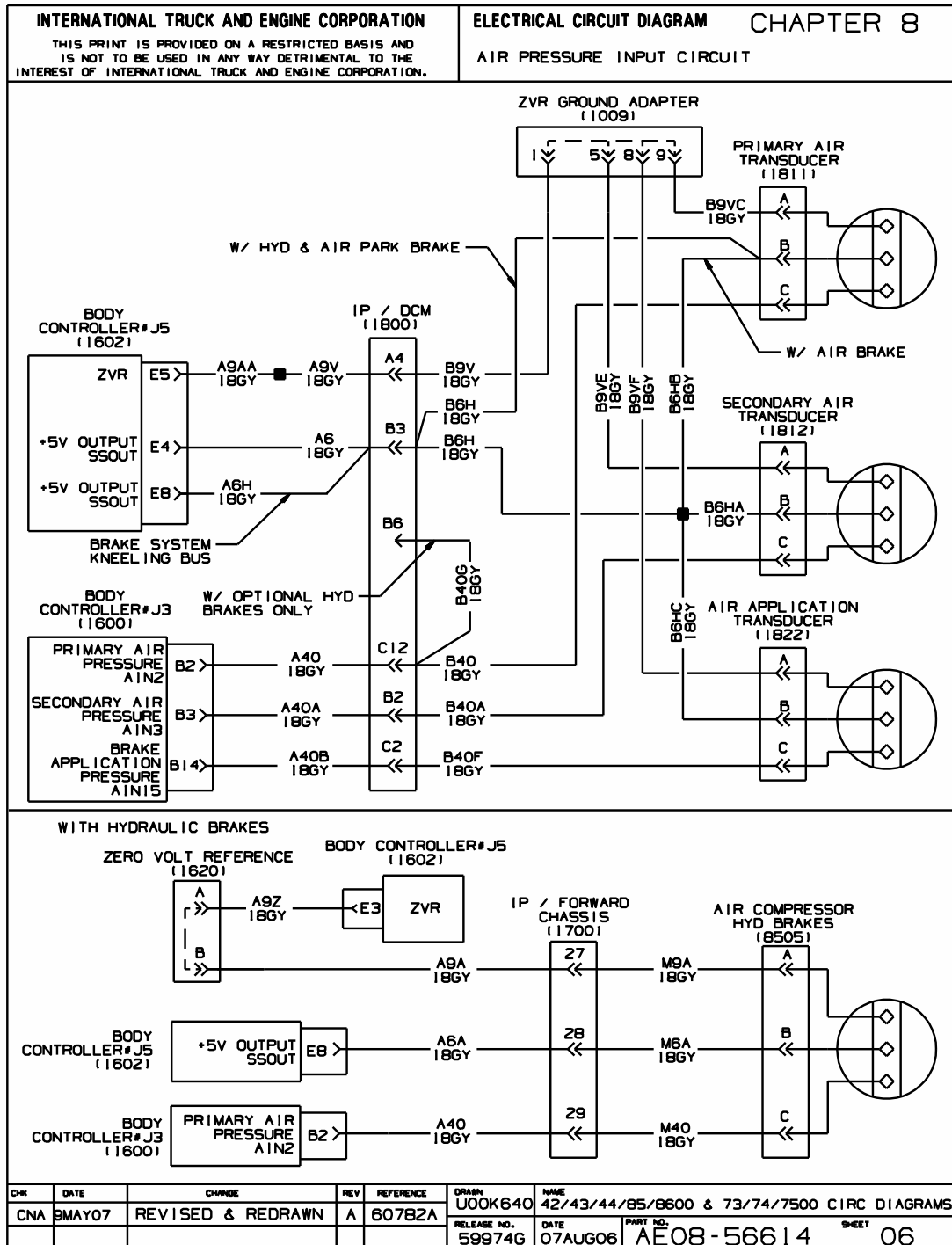


Figure 135 Air Pressure Input Circuit

8.7. AXLE TEMPERATURE, GAUGE INPUT CIRCUIT, P. 7

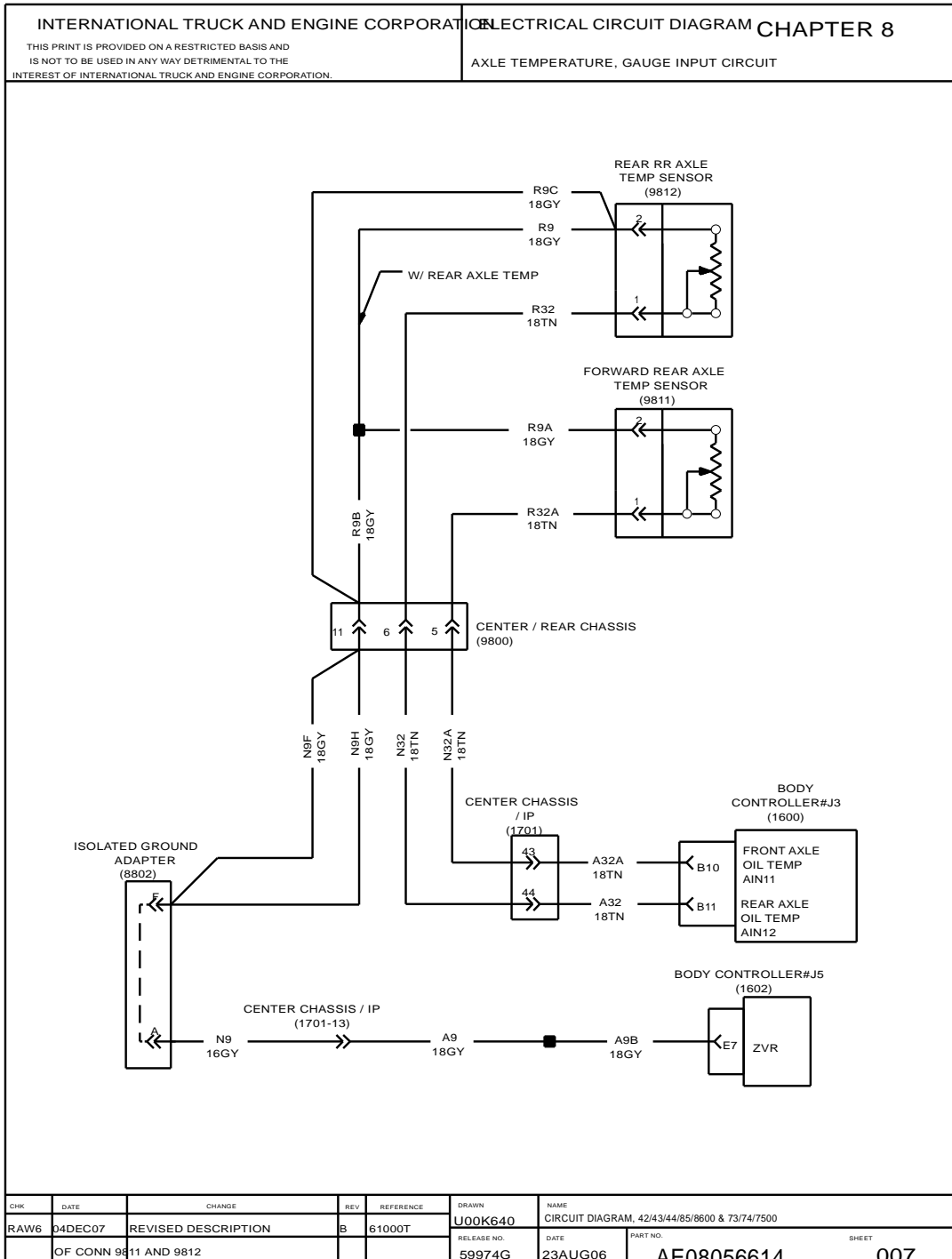


Figure 136 Axle Temperature, Gauge Input Circuit

8.8. FUEL GAUGE CIRCUITRY (SINGLE TANK), P. 8

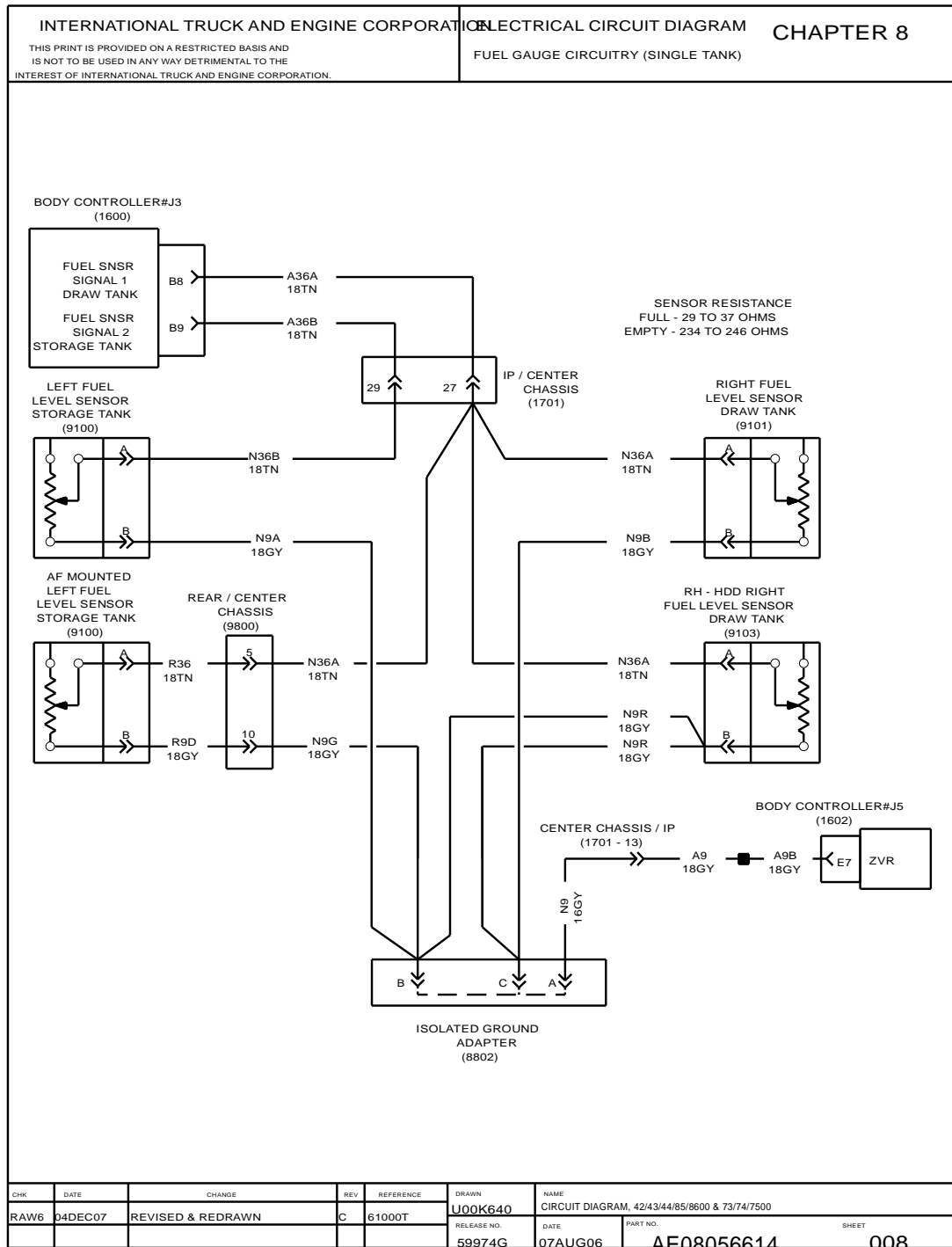


Figure 137 Fuel Gauge Circuitry (Single Tank)

8.9. DIFFERENTIAL LOCK WARNING LAMPS, P. 9

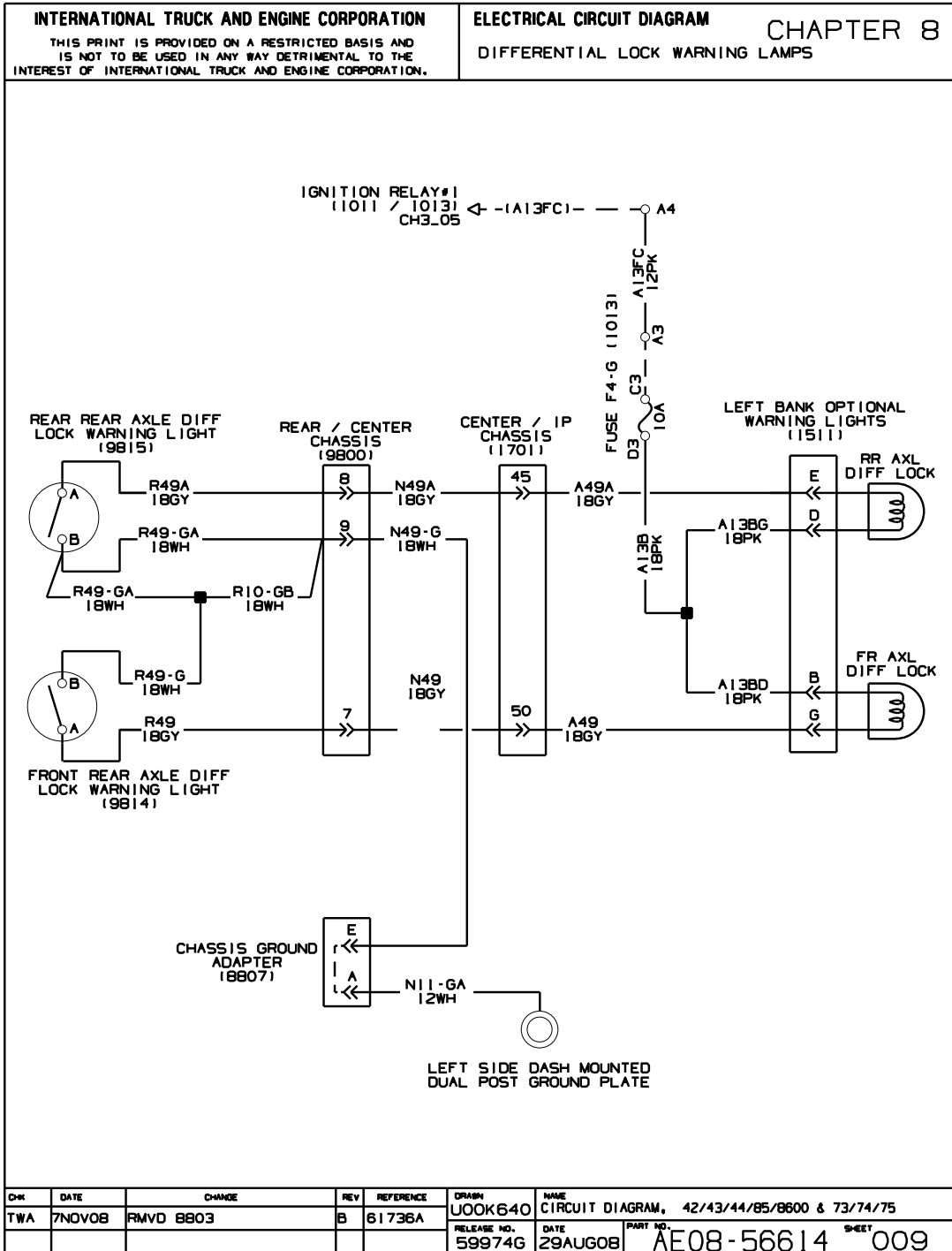


Figure 138 Differential Lock Warning Lamps

8.10. PARK BRAKE SWITCH HYDRAULIC, P. 9A

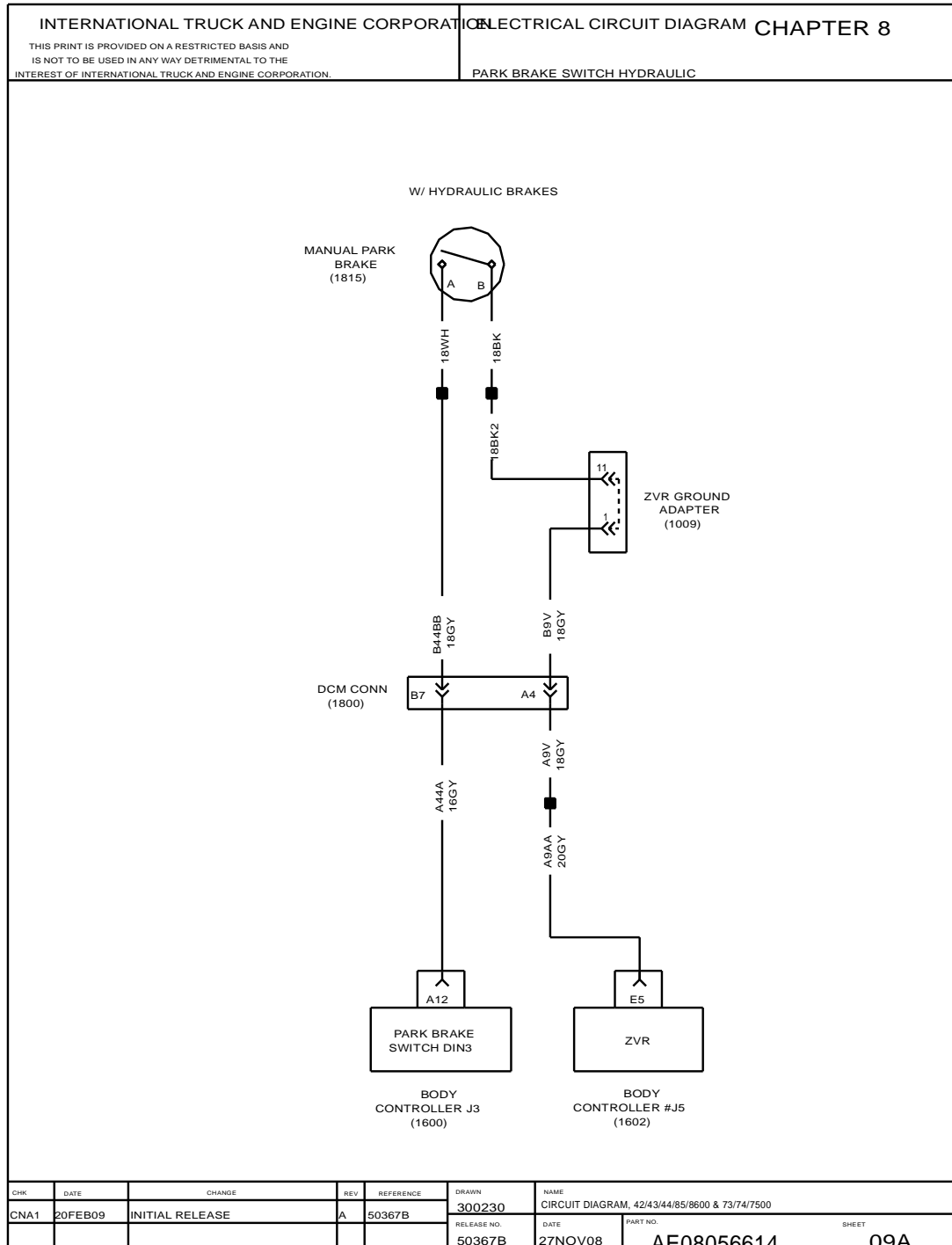


Figure 139 Park Brake Switch Hydraulic

8.11. AIR PARK BRAKE AND MANUAL TRANSMISSION OIL TEMP GAUGE, P. 10

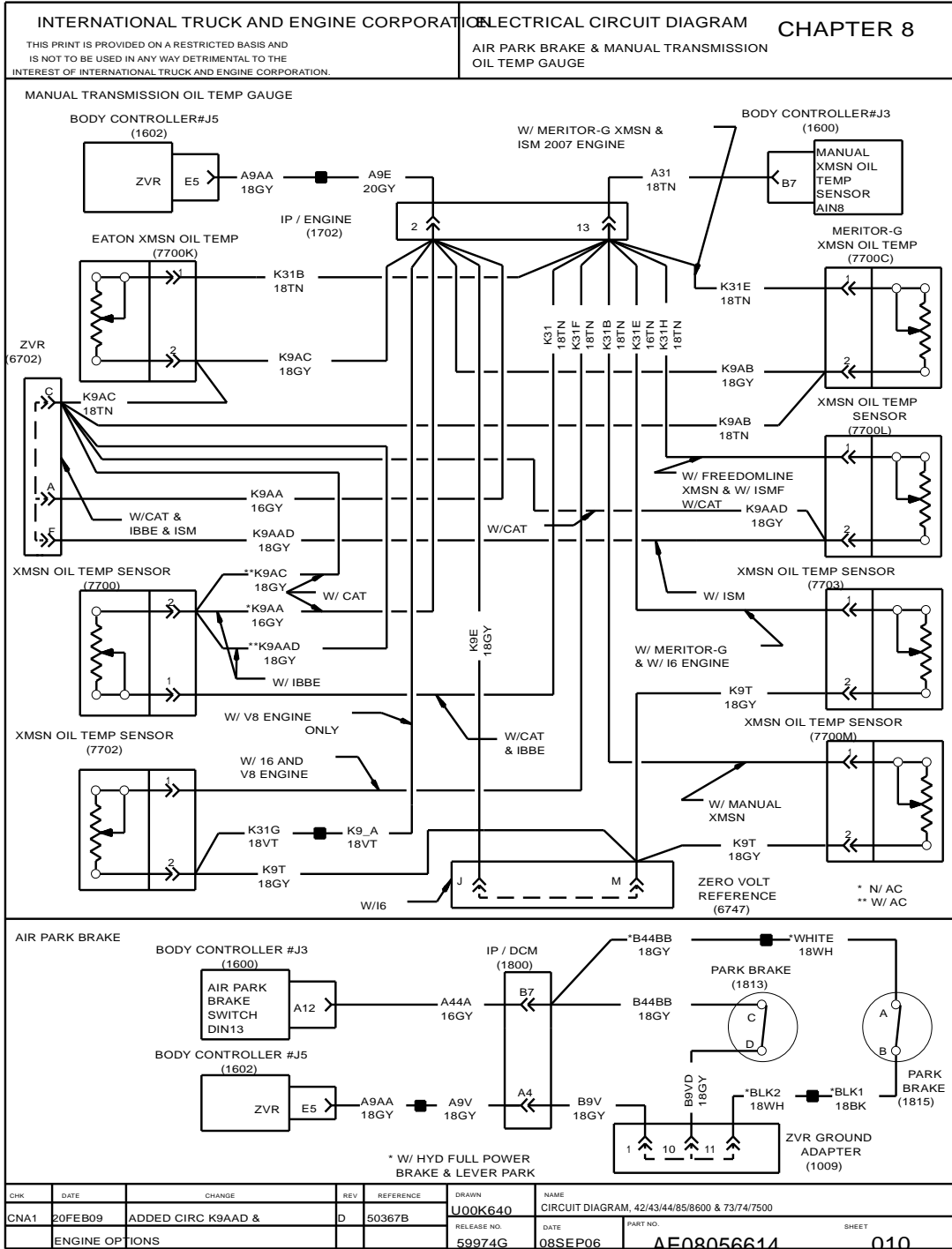


Figure 140 Air Park Brake and Manual Transmission Oil Temp Gauge



8.12. FREEDOMLINE TRANSMISSION OIL TEMP GAUGE AND SURGE PUMP, P. 10A

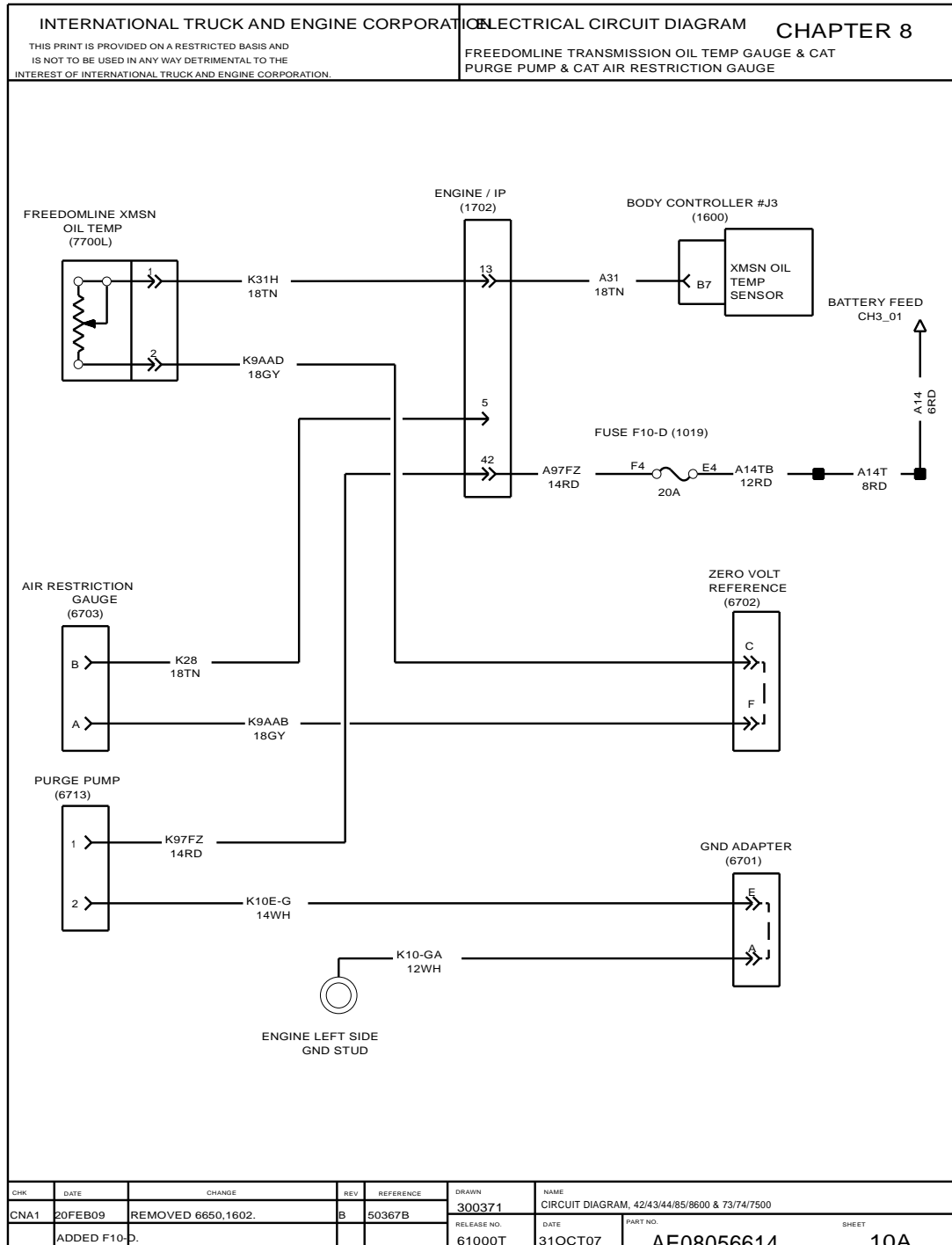


Figure 141 Freedomline Transmission Oil Temp Gauge and Surge Pump

8.13. GAUGES AND WARNING LIGHTS – AMMETER, P. 11

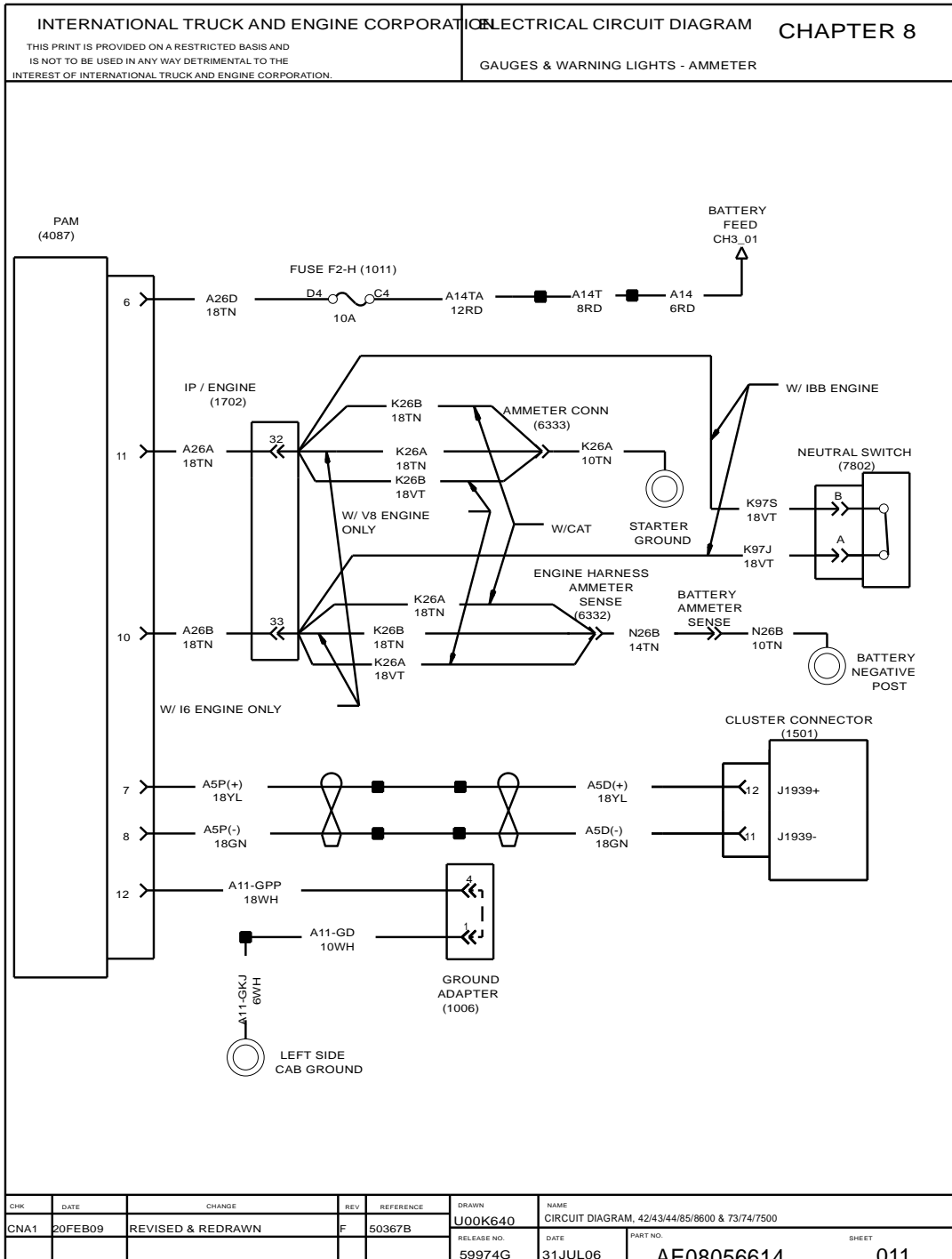


Figure 142 Gauges and Warning Lights – Ammeter

8.14. ENGINE OIL TEMPERATURE GAUGE WITH CATERPILLAR, P. 12

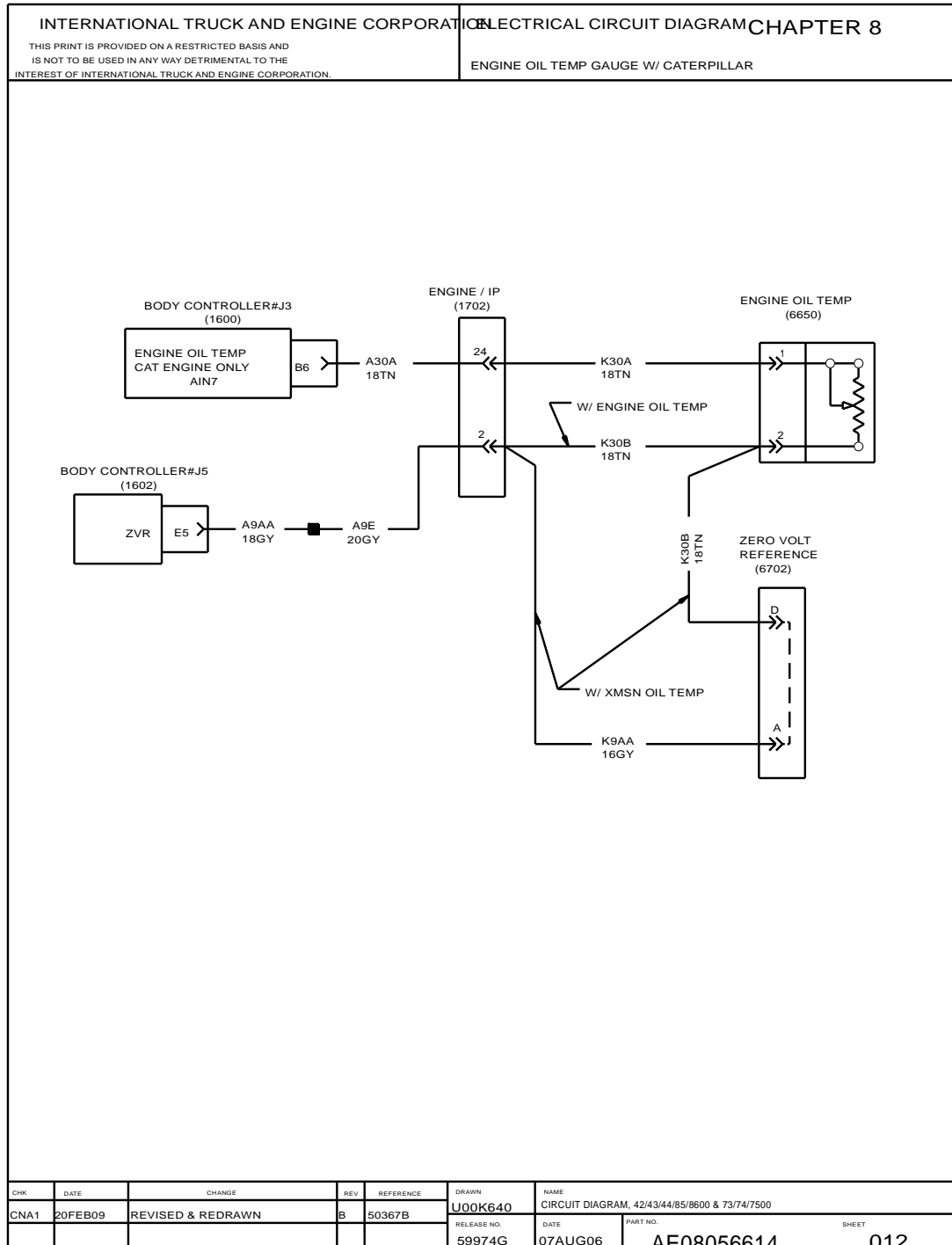


Figure 143 Engine Oil Temperature Gauge with Caterpillar

8.15. FRONT AXLE ENGAGEMENT LAMP, P. 13

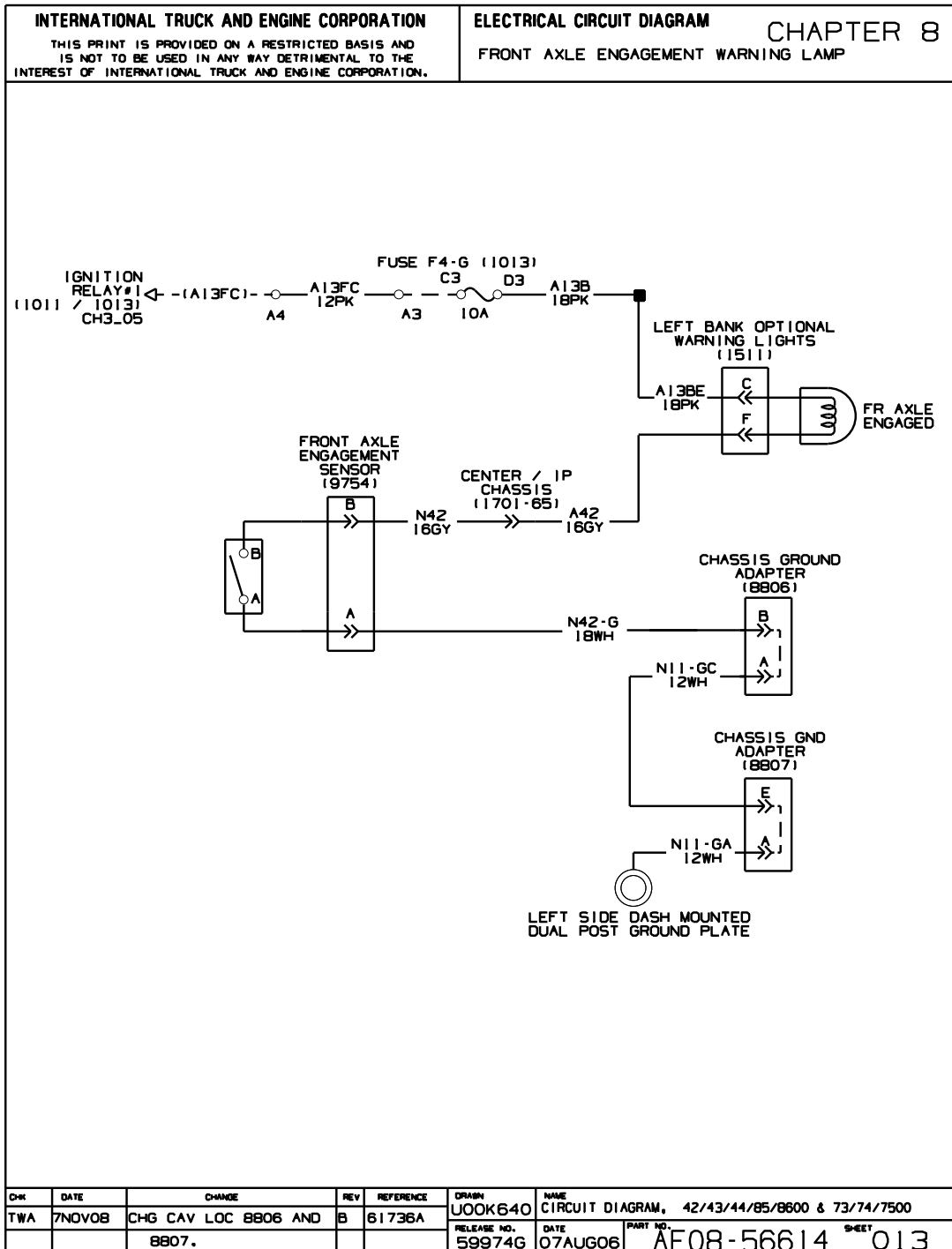


Figure 144 Front Axle Engagement Lamp

8.16. WARNING LIGHTS – RIGHT BANK – OPTIONAL, P. 14

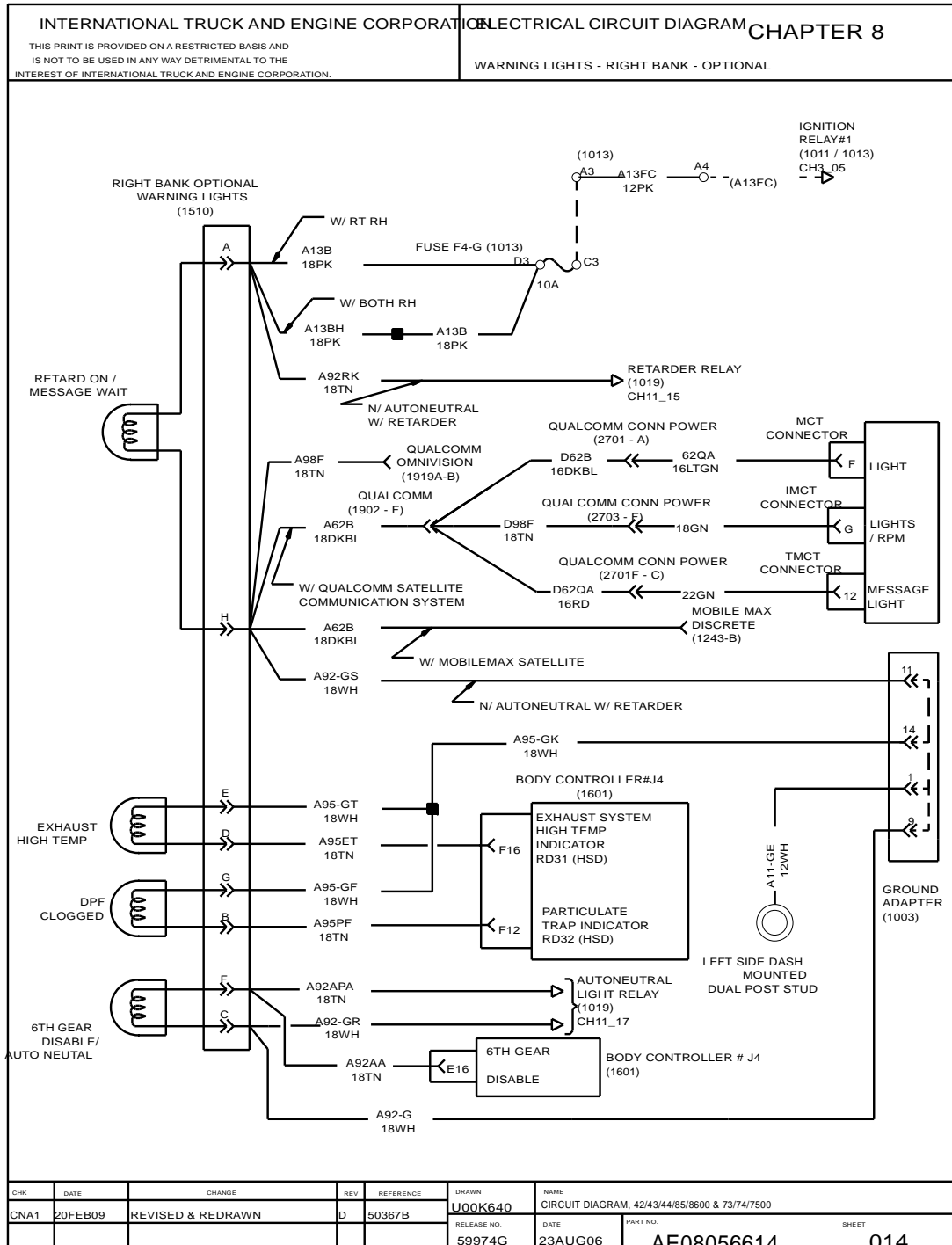
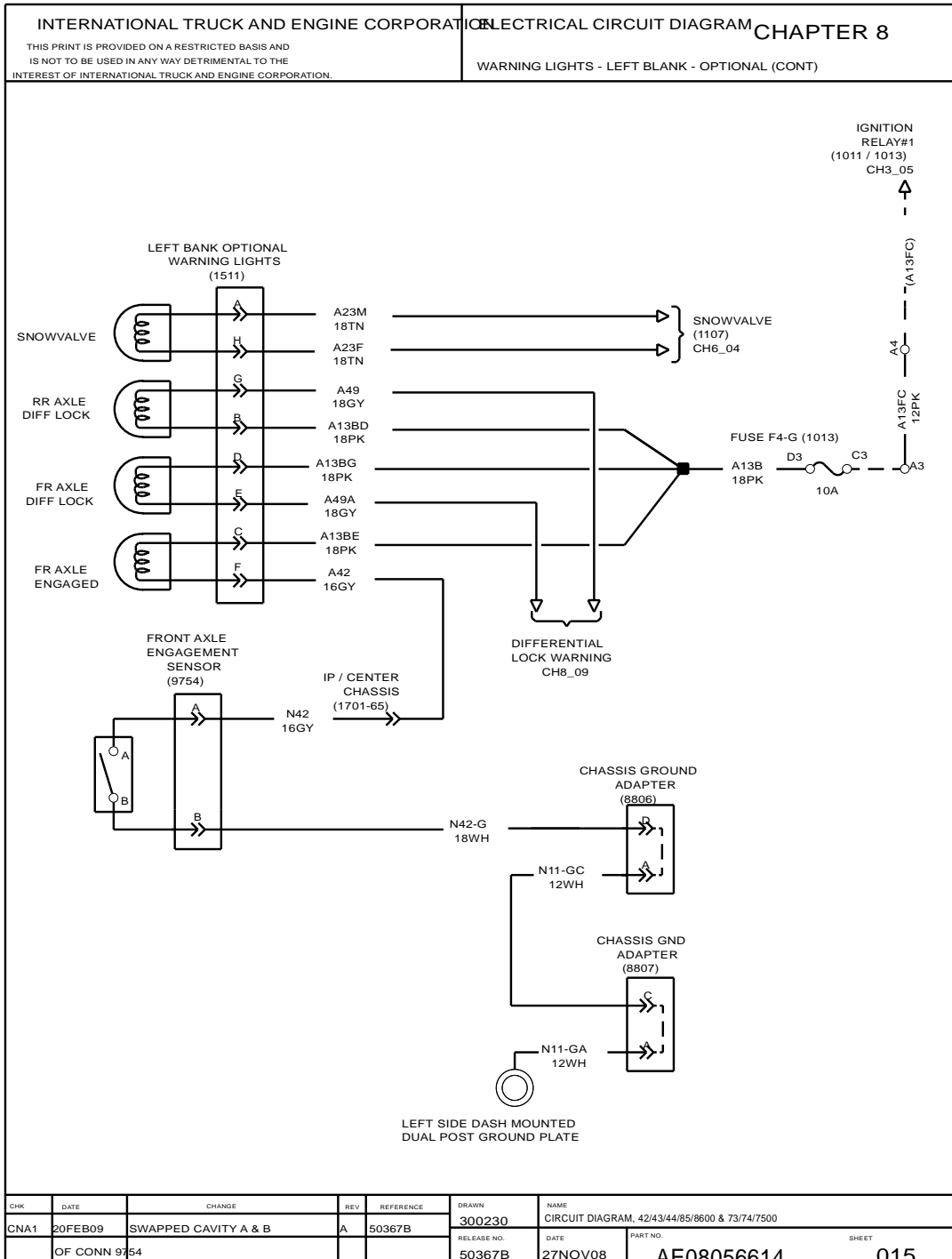


Figure 145 Warning Lights – Right Bank – Optional

8.17. WARNING LIGHTS — LEFT BANK — OPTIONAL, P. 15



CHK	DATE	CHANGE	REV	REFERENCE	DRAWN	NAME
CNA1	20FEB09	SWAPPED CAVITY A & B	A	50367B	300230	CIRCUIT DIAGRAM, 42/43/44/85/8600 & 73/74/7500
	OF CONN 9754				50367B	27NOV08

PART NO. AE08056614 SHEET 015

8.18. LOAD MONITORING, P. 16

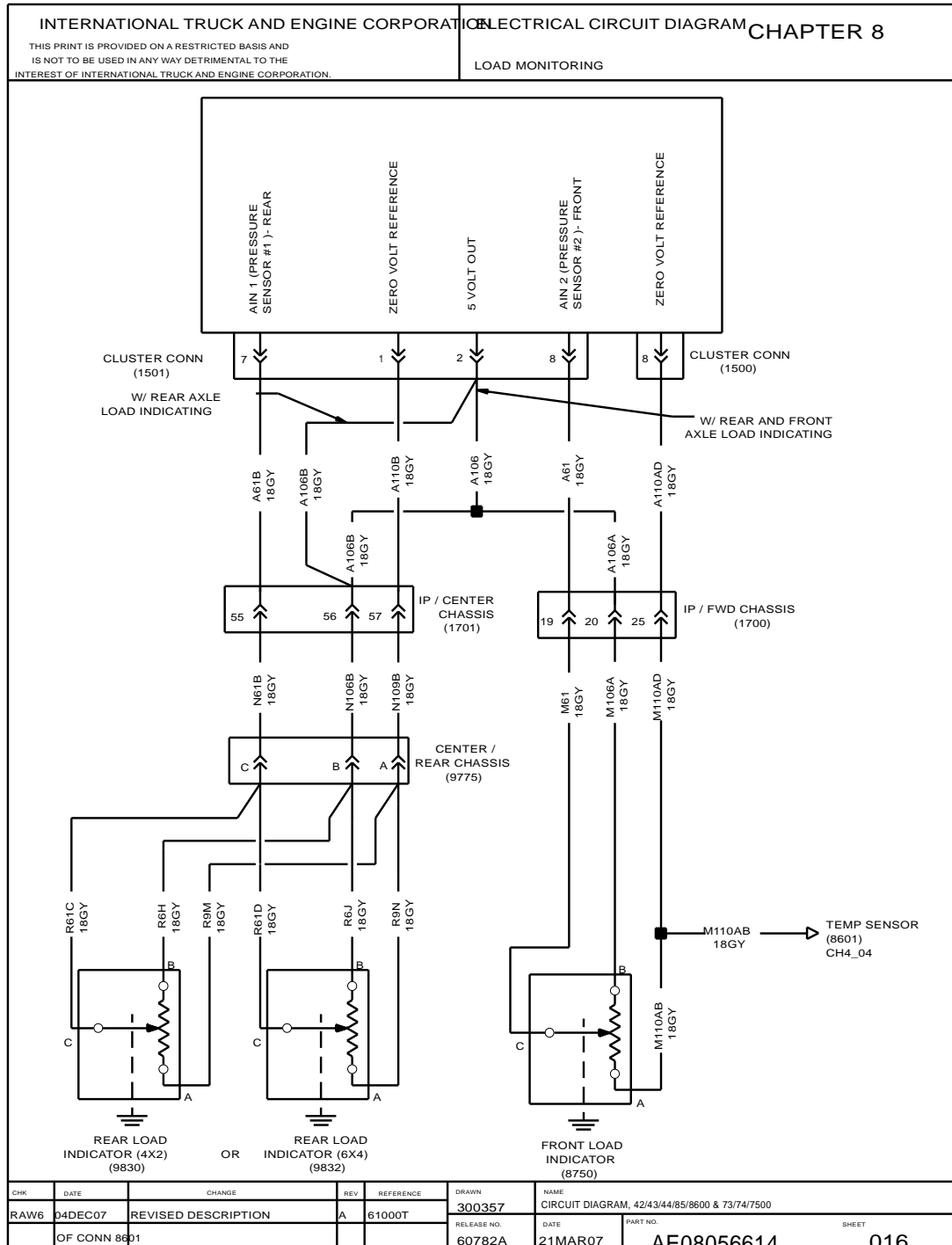


Figure 147 Load Monitoring

# LIGHTS (CHAPTER 9)

## 9.1. BACK-UP LIGHTS WITHOUT ALLISON TRANSMISSION, P. 1

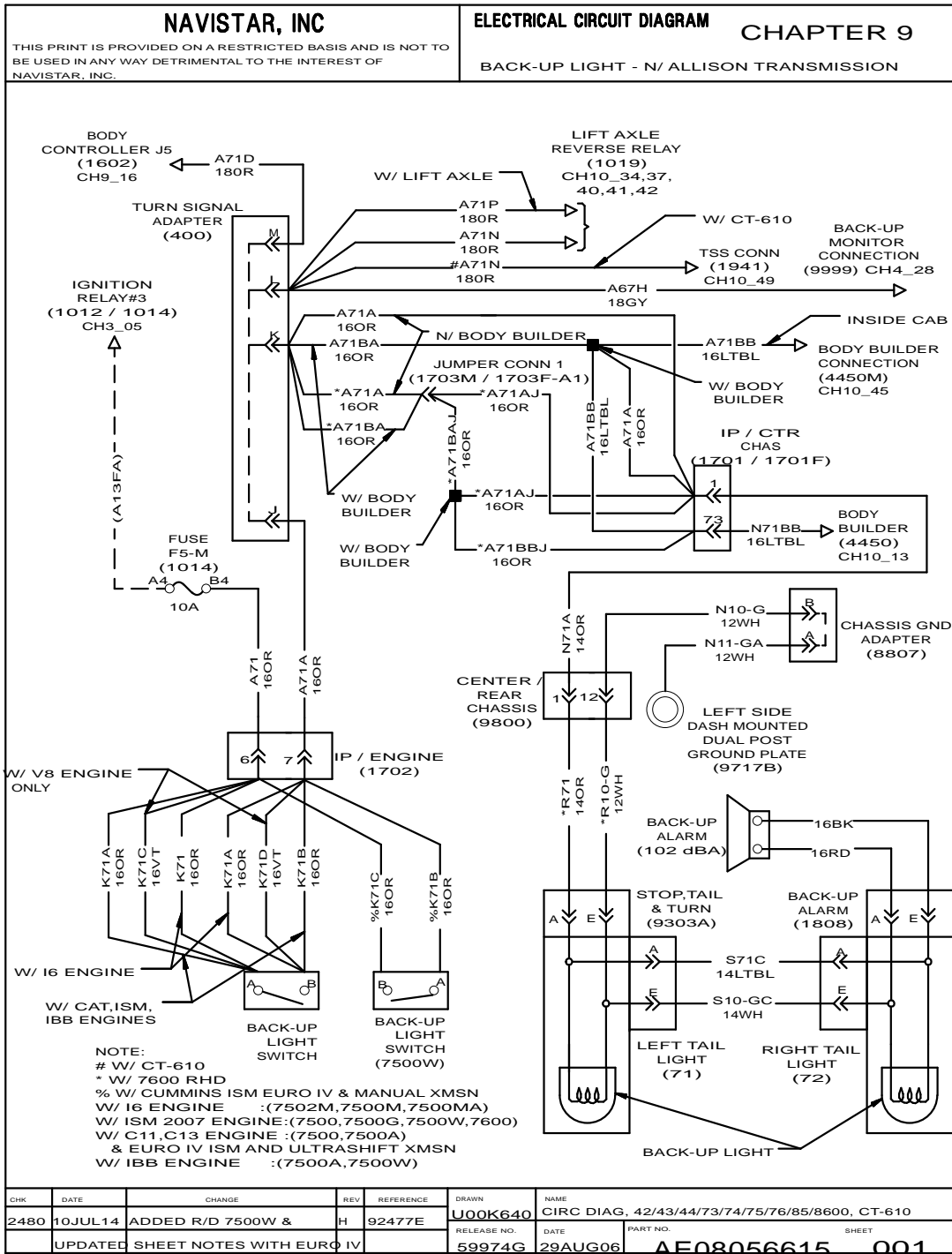


Figure 148 Back-Up Lights without Allison Transmission



9.2. BACK-UP LIGHTS WITH ALLISON TRANSMISSION, P. 2

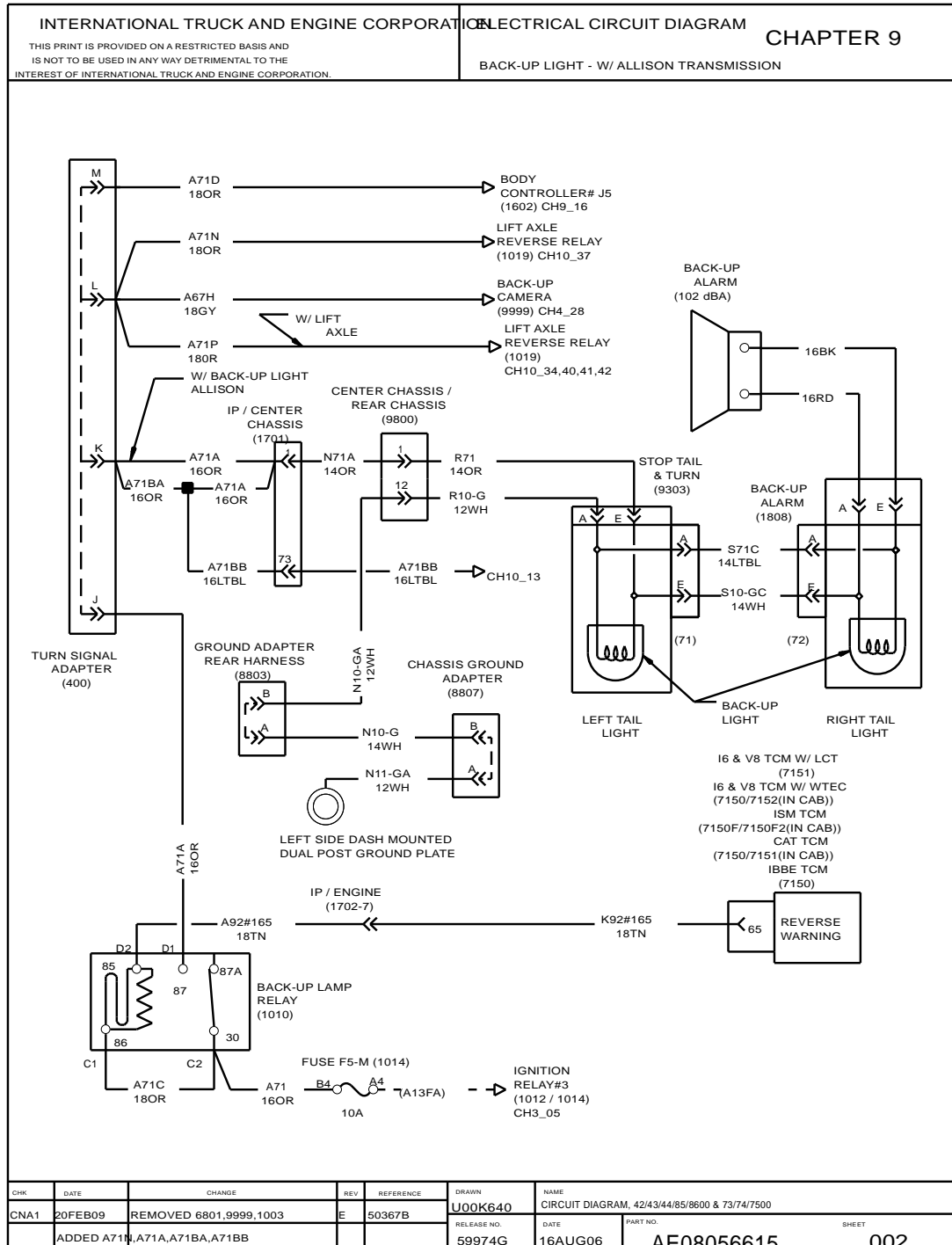


Figure 149 Back-Up Lights with Allison Transmission

9.3. LIGHT SYSTEMS – CLEARANCE, MARKER, PARK, TAIL, TURN AND STOP LIGHTS, P. 3

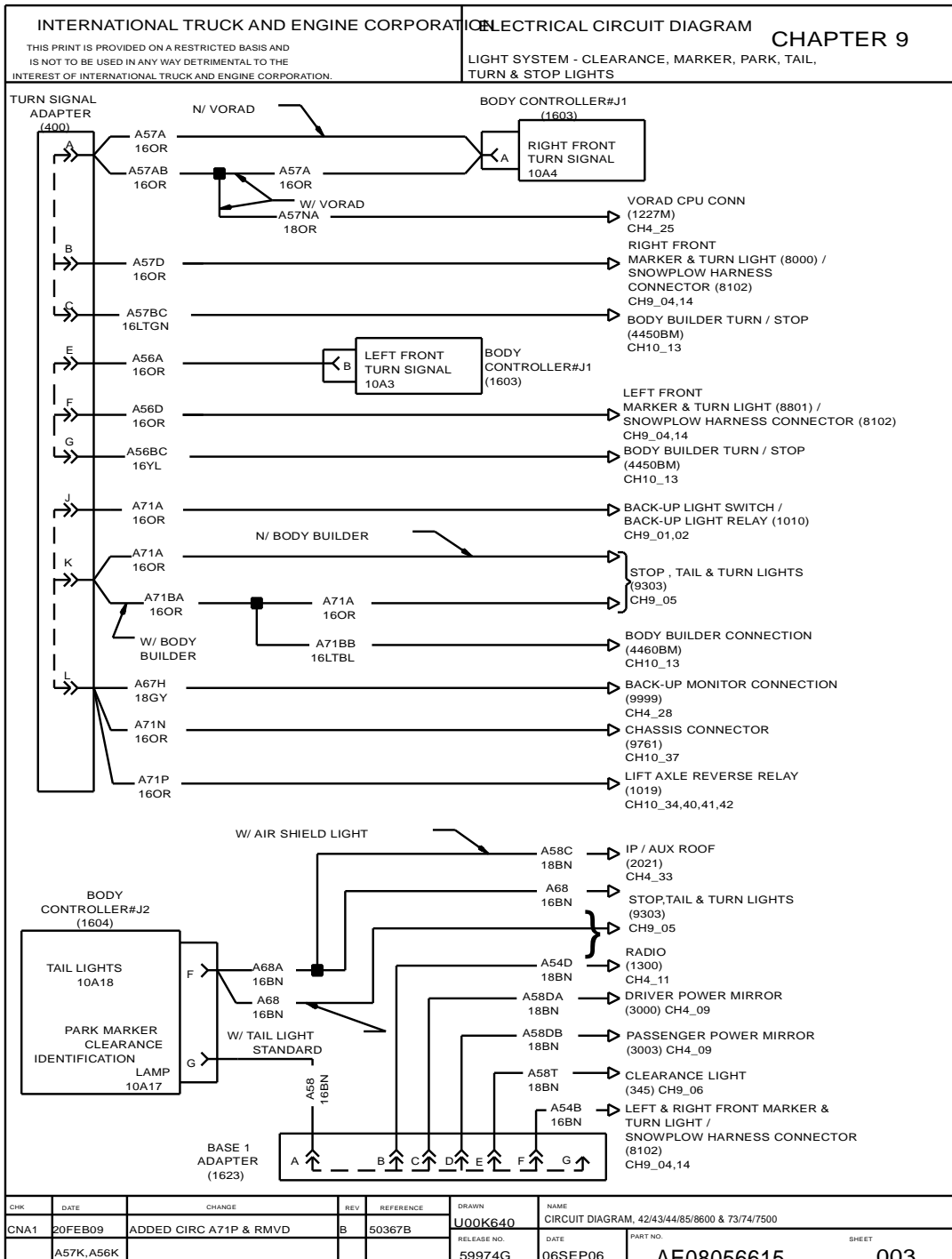


Figure 150 Light Systems – Clearance, Marker, Park, Tail, Turn and Stop Lights

9.4. LIGHT SYSTEMS – CLEARANCE, MARKER, PARK, TAIL, TURN AND STOP LIGHTS (CONT.), P. 4

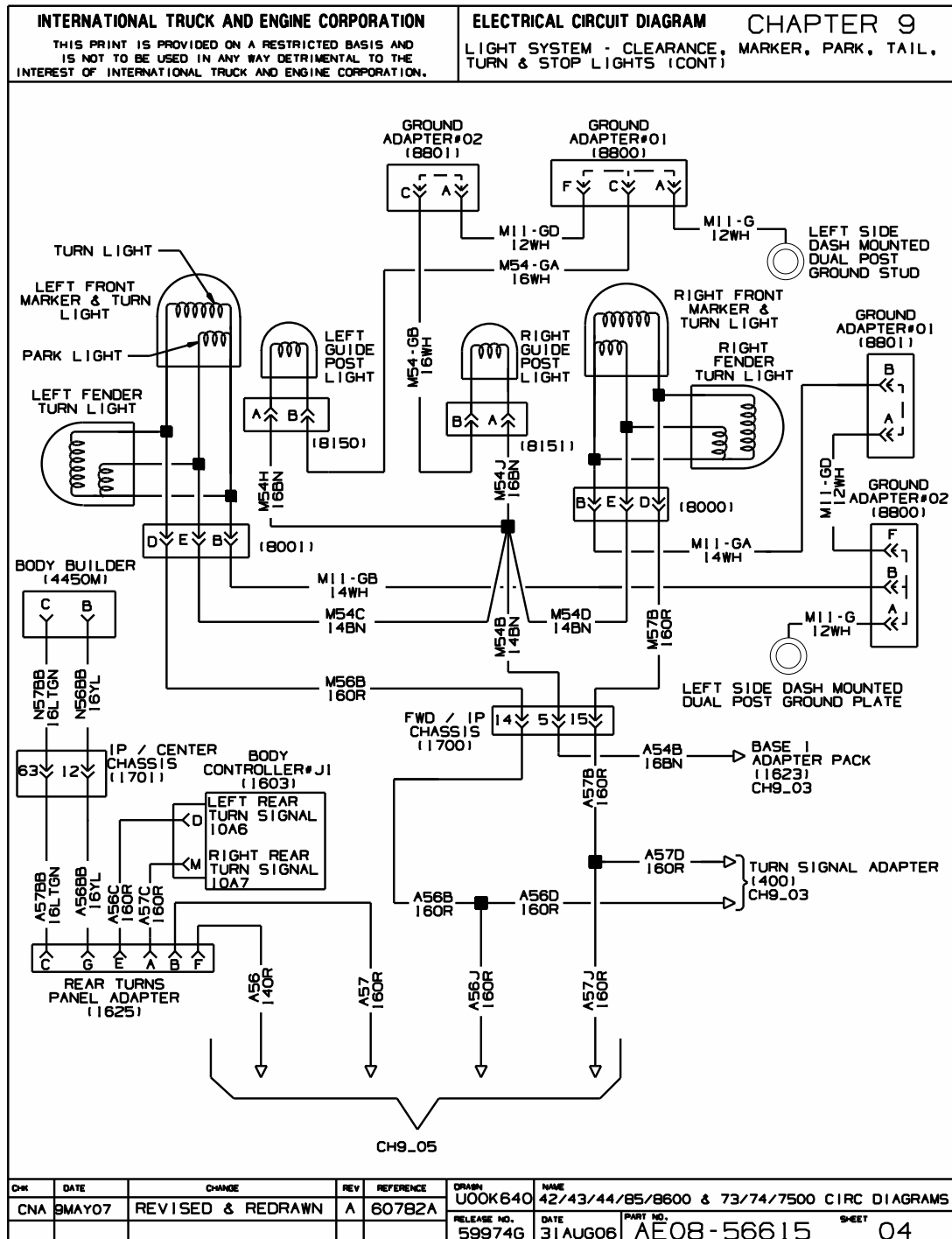


Figure 151 Light Systems – Clearance, Marker, Park, Tail, Turn and Stop Lights (Cont.)

9.5. LIGHT SYSTEMS – CLEARANCE, MARKER, PARK, TAIL, TURN AND STOP LIGHTS (CONT.), P. 5

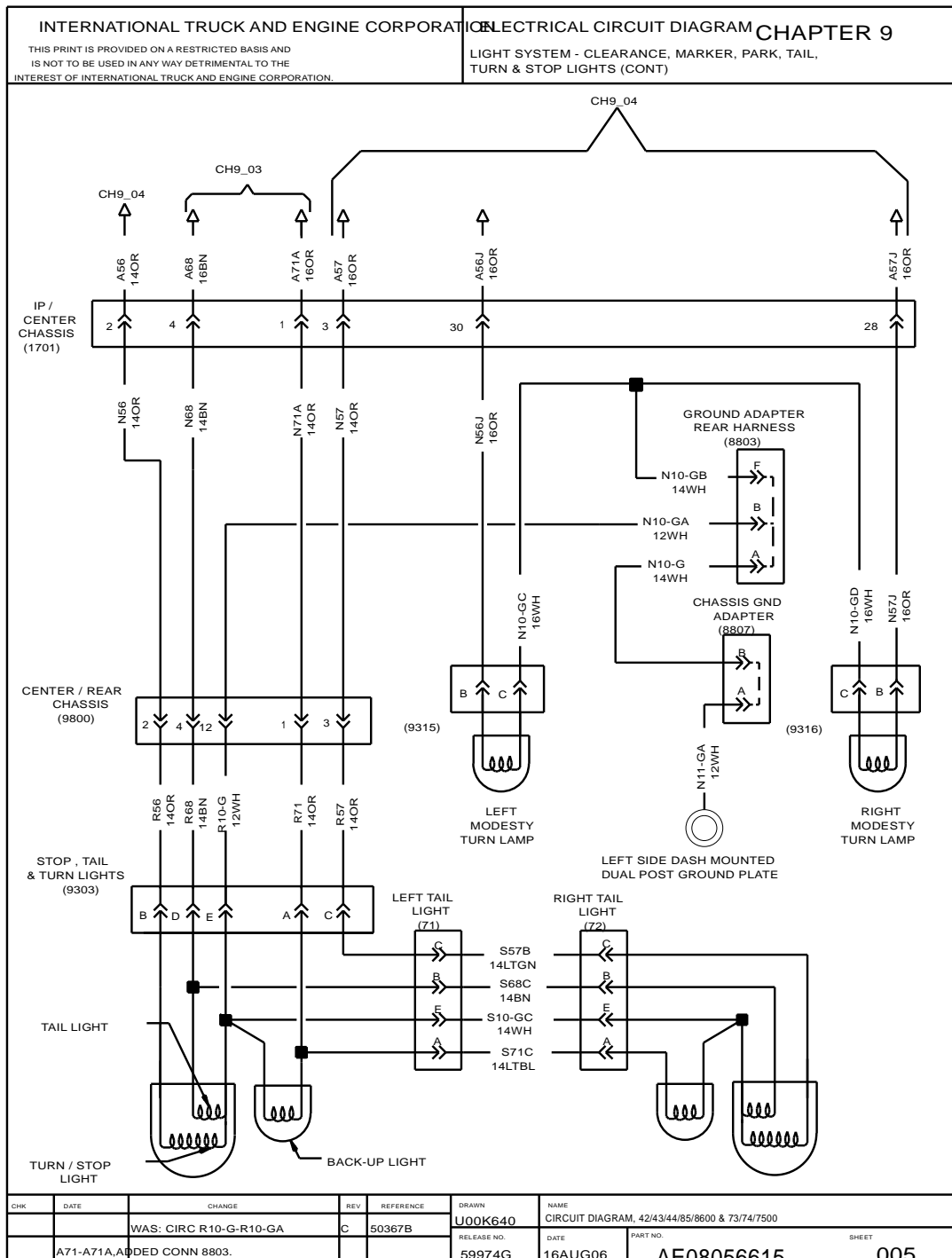


Figure 152 Light Systems – Clearance, Marker, Park, Tail, Turn and Stop Lights (Cont.)

9.6. LIGHT SYSTEMS – CLEARANCE, MARKER, PARK, TAIL, TURN AND STOP LIGHTS (CONT.), P. 6

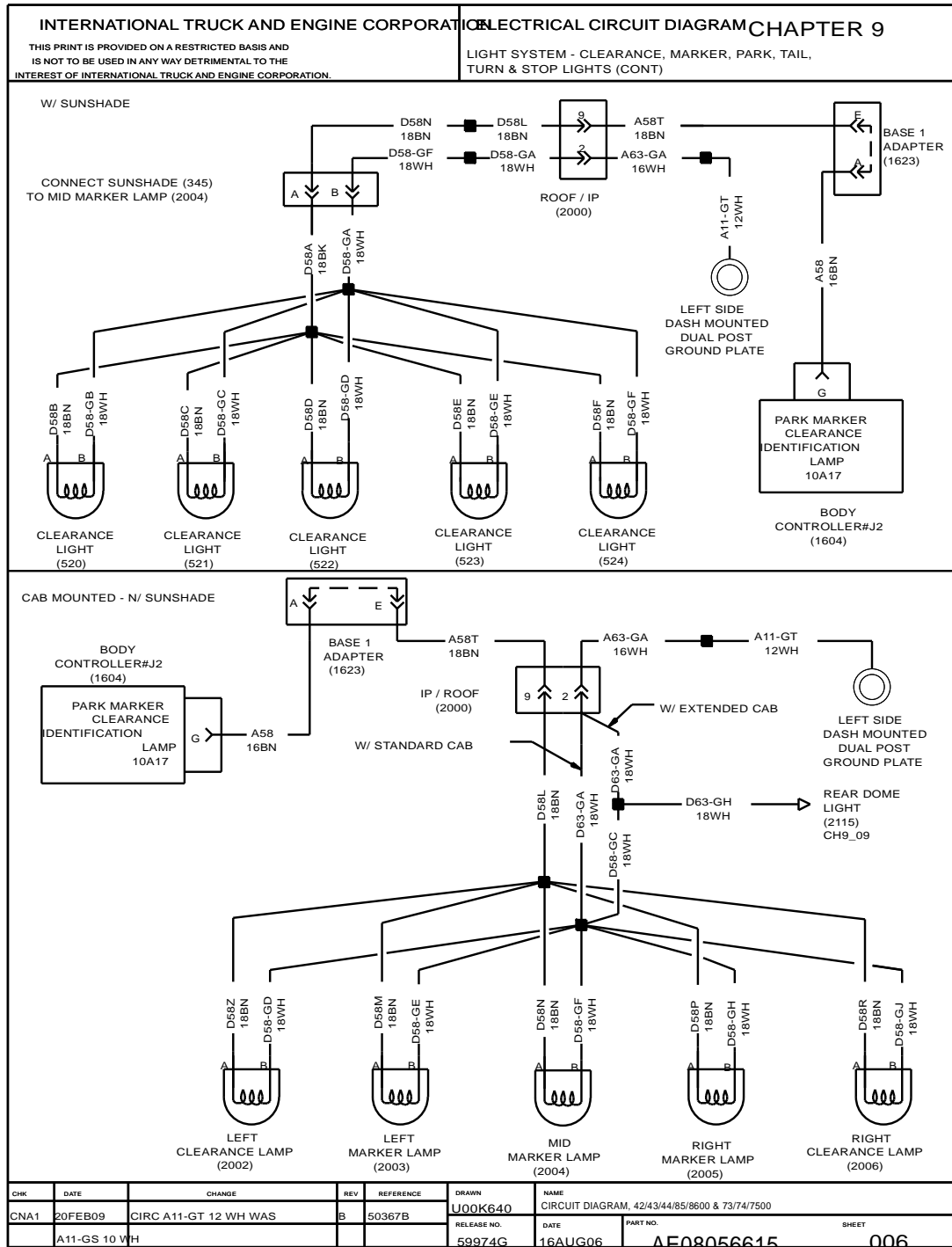


Figure 153 Light Systems – Clearance, Marker, Park, Tail, Turn and Stop Lights (Cont.)

9.7. LIGHT SYSTEMS – TURN SIGNAL AND STOP SWITCHES, P. 7

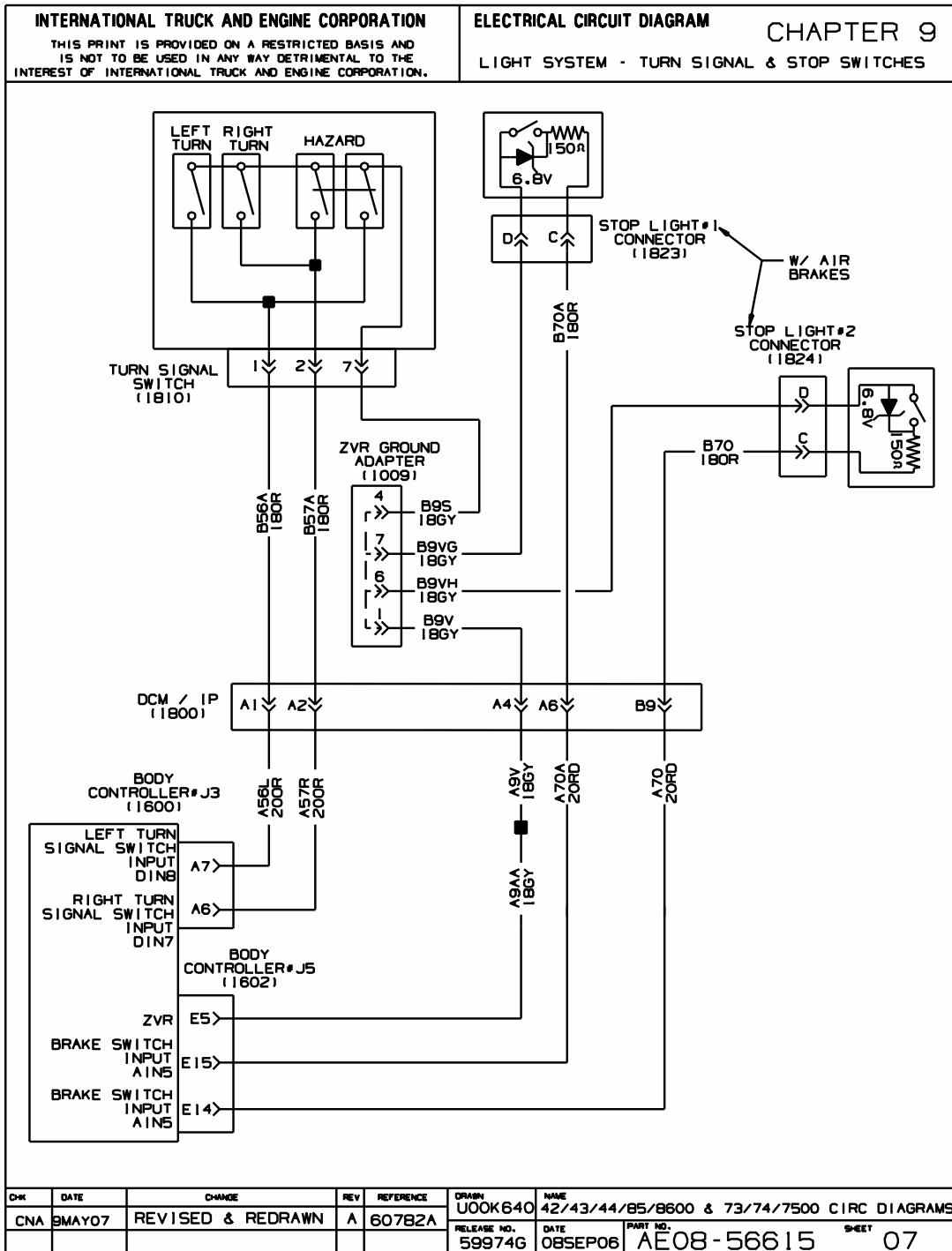


Figure 154 Light Systems – Turn Signal and Stop Switches

9.8. DOME LIGHT, MAP LIGHT, P. 8

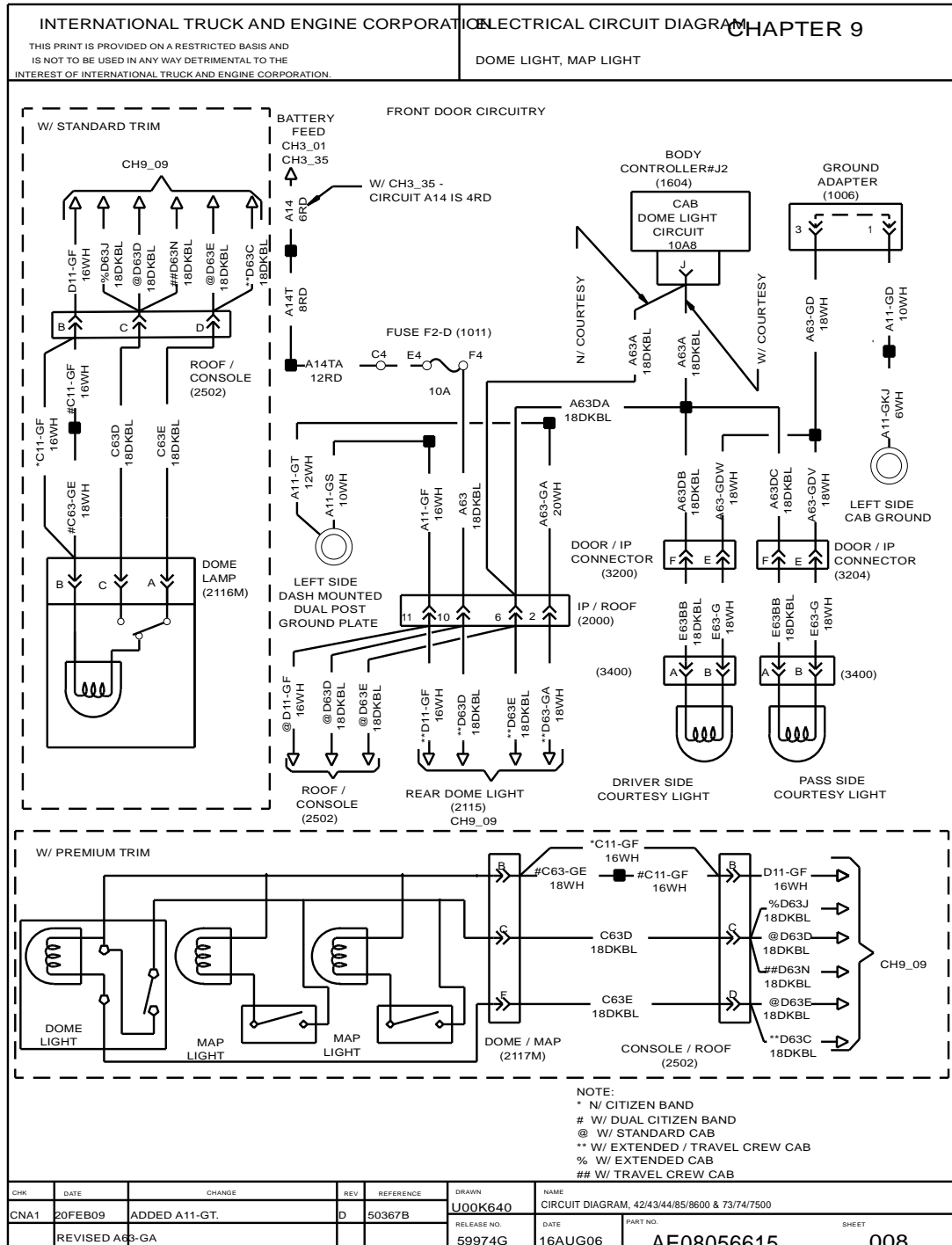


Figure 155 Dome Light, Map Light

9.9. DOME LIGHT, MAP LIGHT (CONT.), P. 9

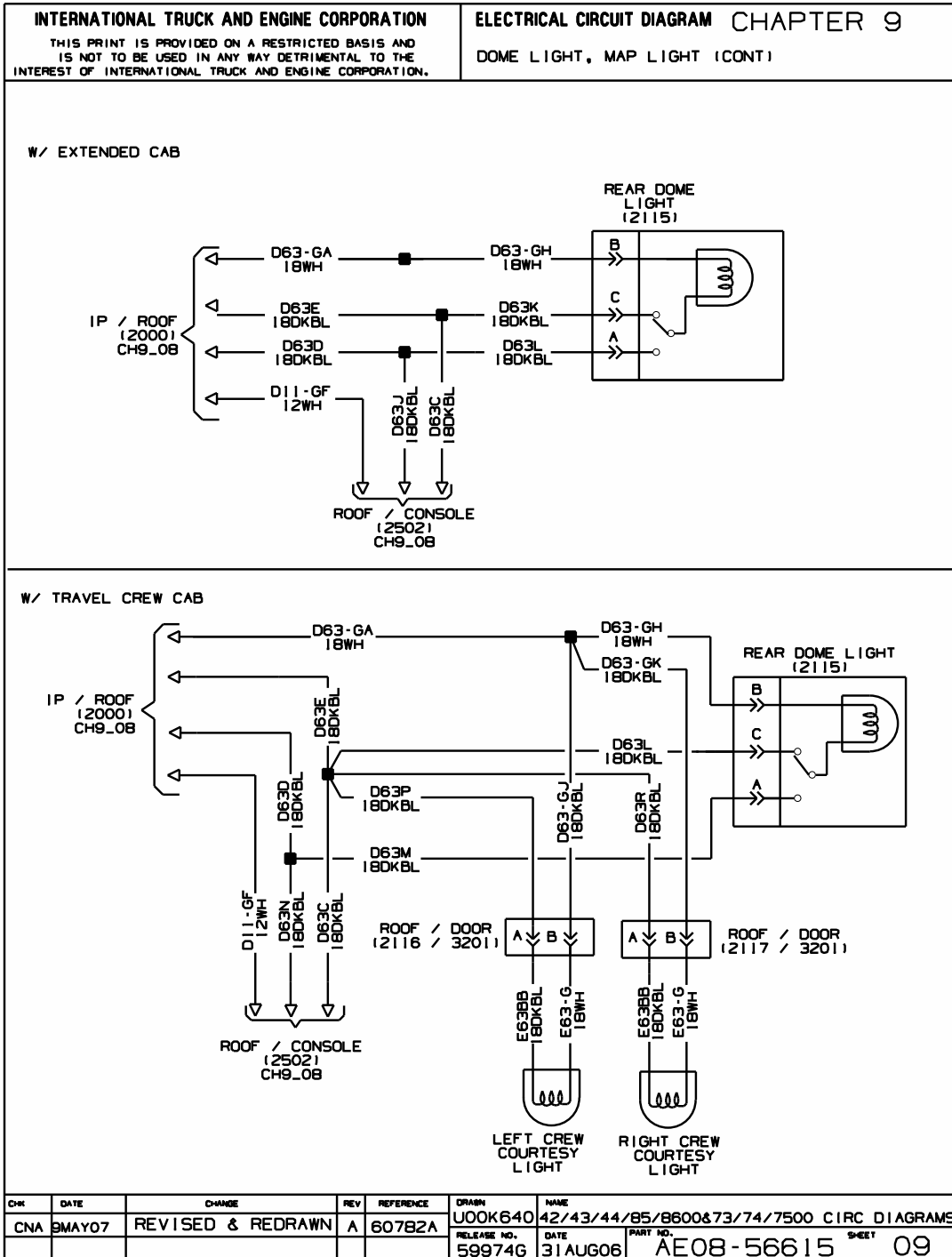


Figure 156 Dome Light, Map Light (Cont.)



9.10. DOME LIGHT, MAP LIGHT (CONT.), P. 10

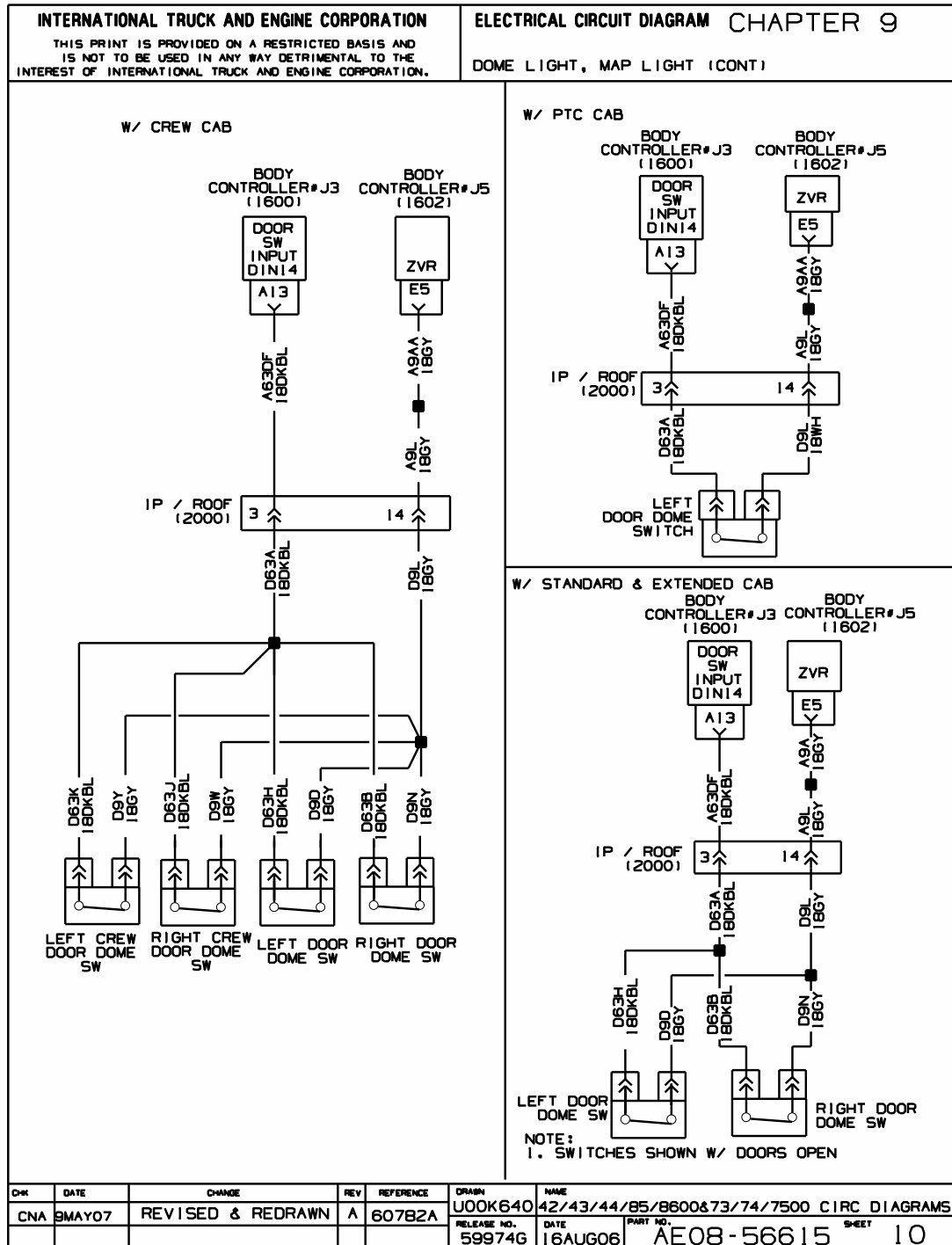


Figure 157 Dome Light, Map Light (Cont.)

9.11. FOG LIGHT, P. 11

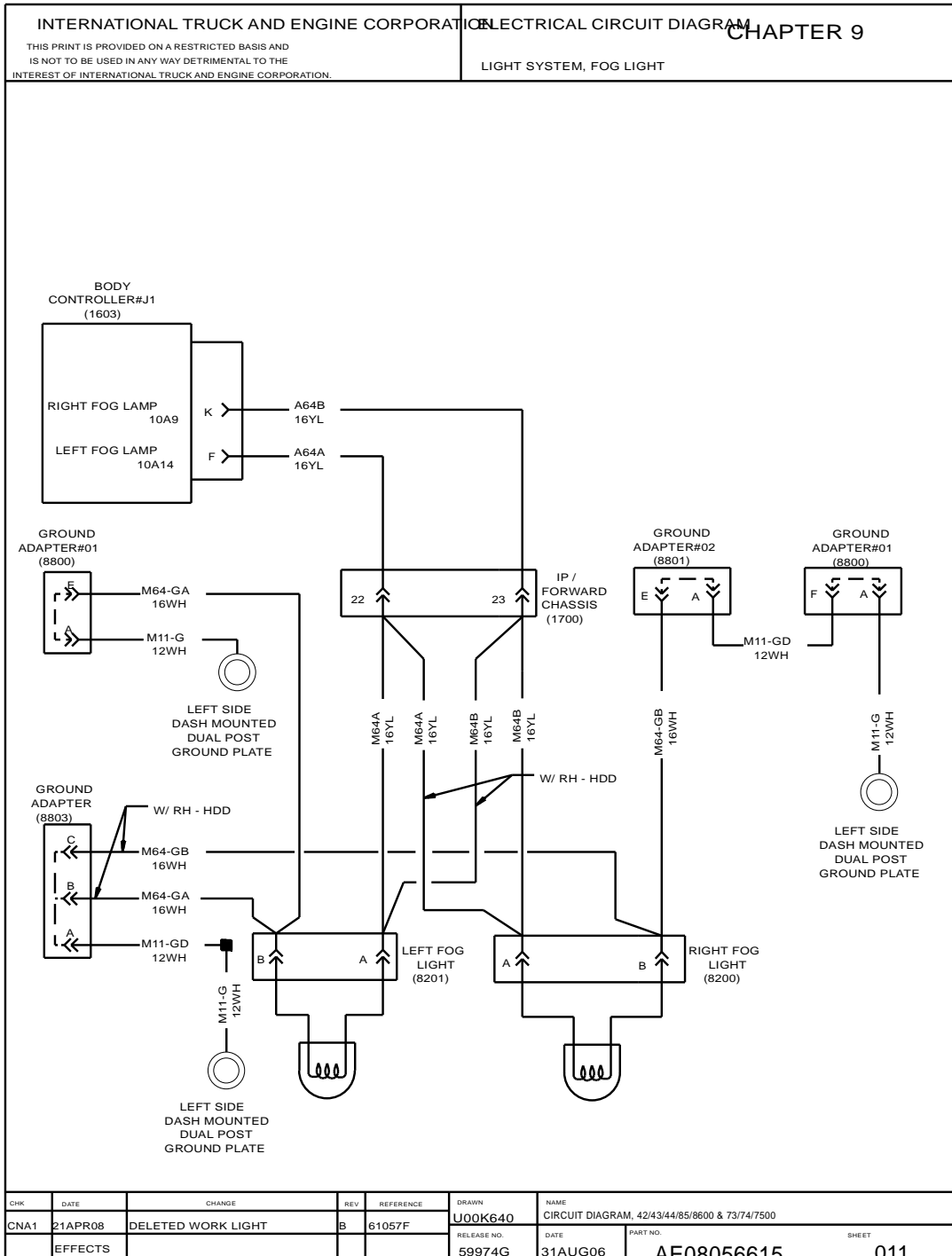


Figure 158 Fog Light

9.12. HEADLIGHTS, P. 12

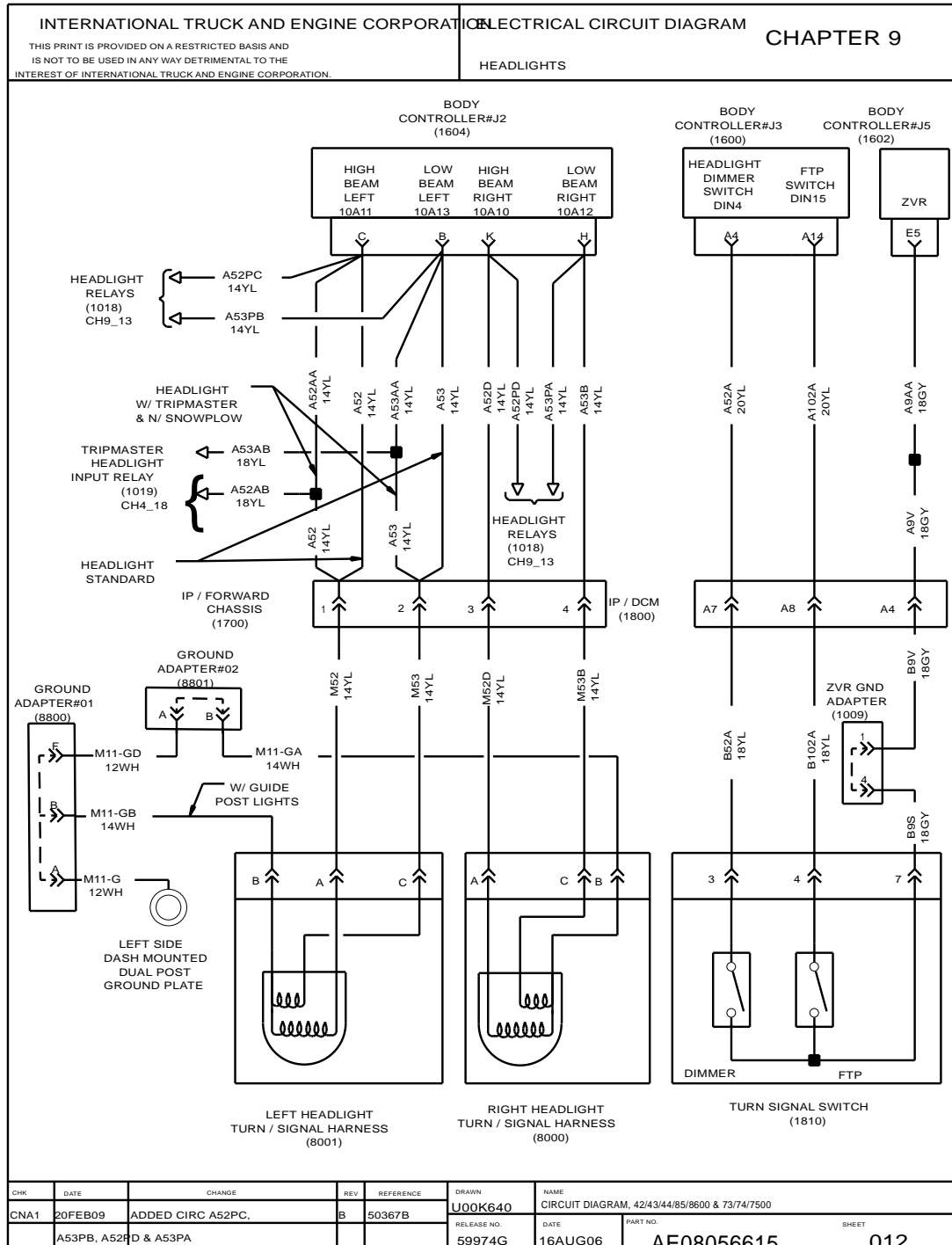


Figure 159 Headlights

9.13. AUX. HEADLIGHTS, SNOW PLOW LIGHTS, P. 13

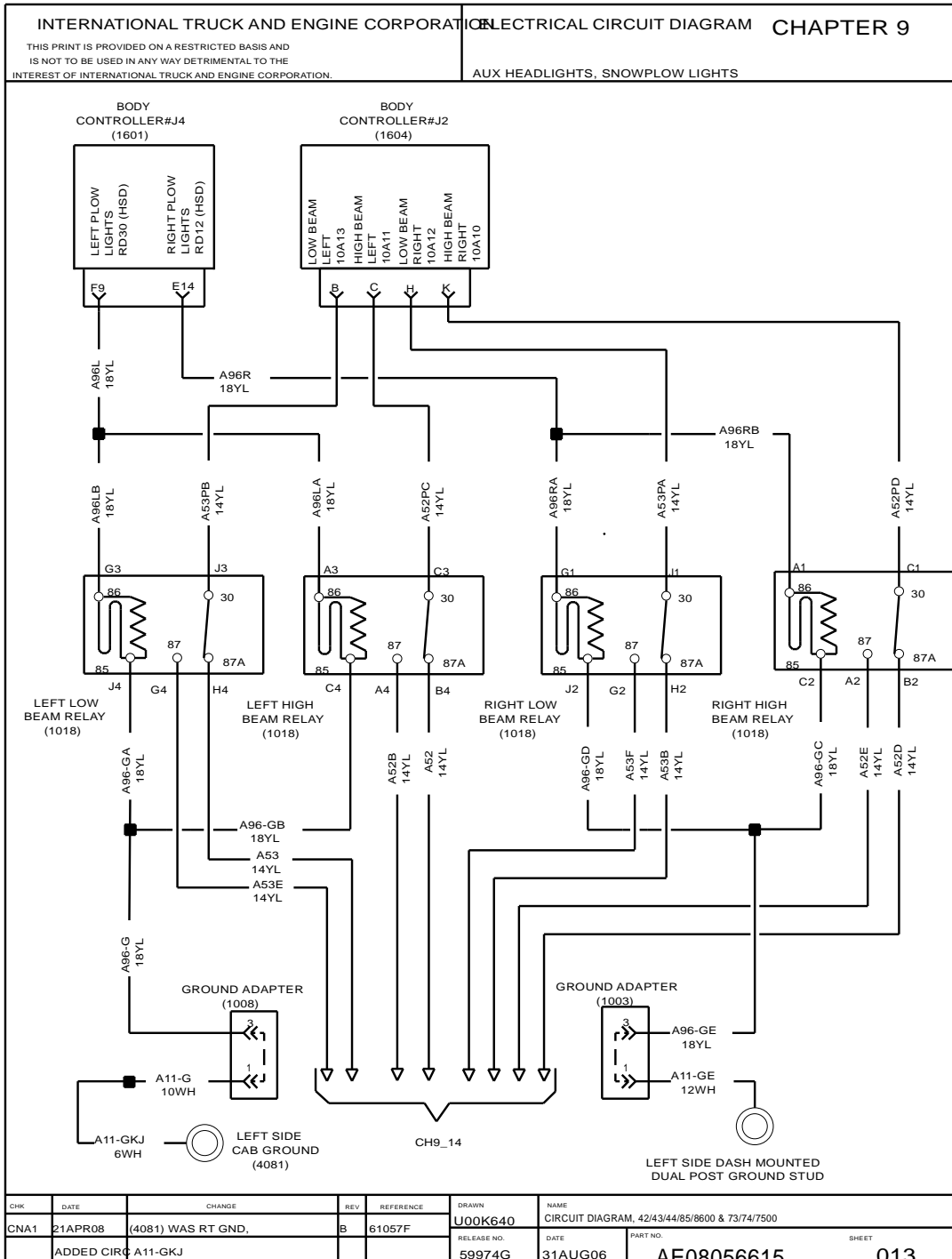


Figure 160 Aux. Headlights, Snow Plow Lights

9.14. AUX. HEADLIGHTS, SNOW PLOW LIGHTS (CONT), P. 14

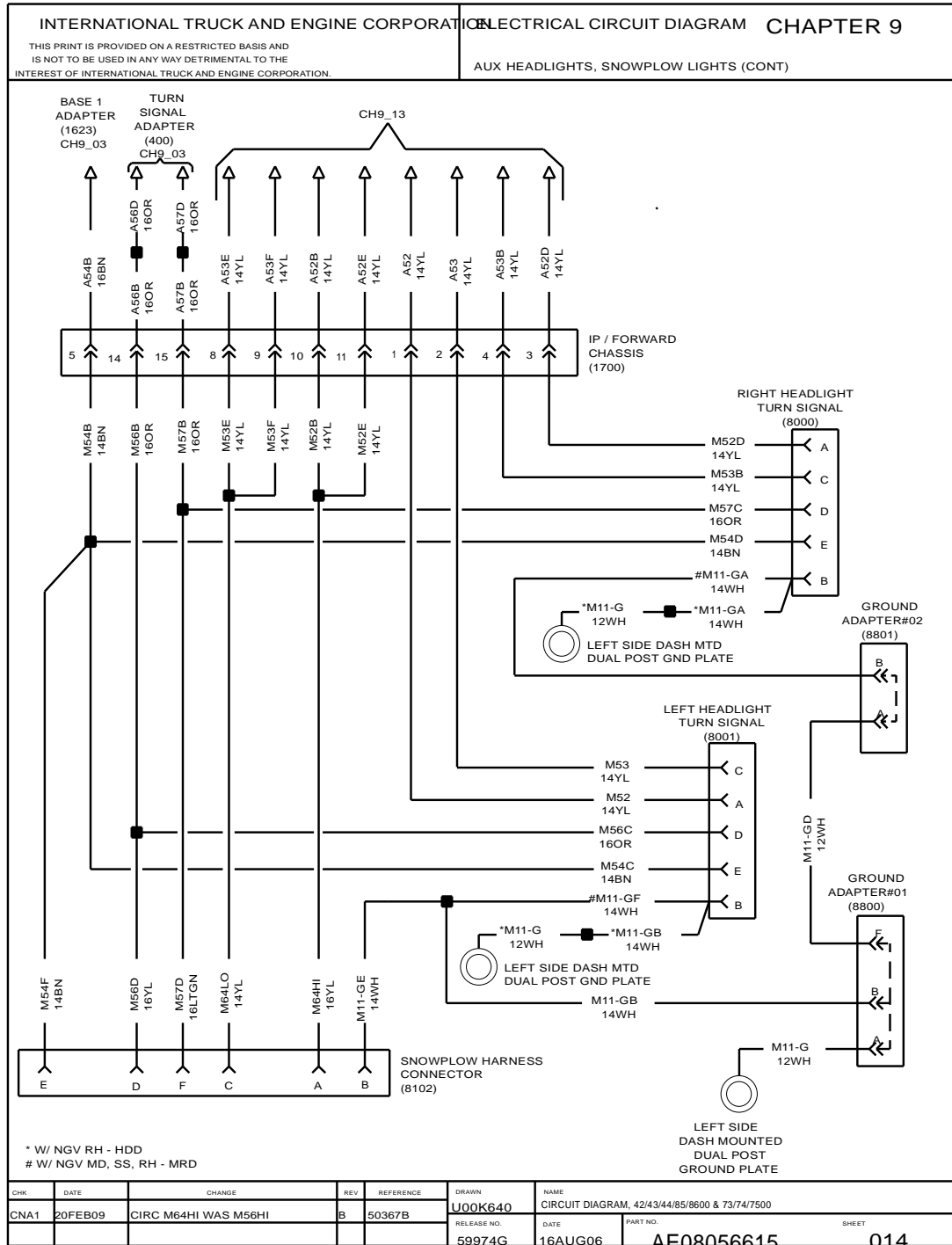


Figure 161 Aux. Headlights, Snow Plow Lights (Cont)

9.15. PANEL LIGHTS, P. 15

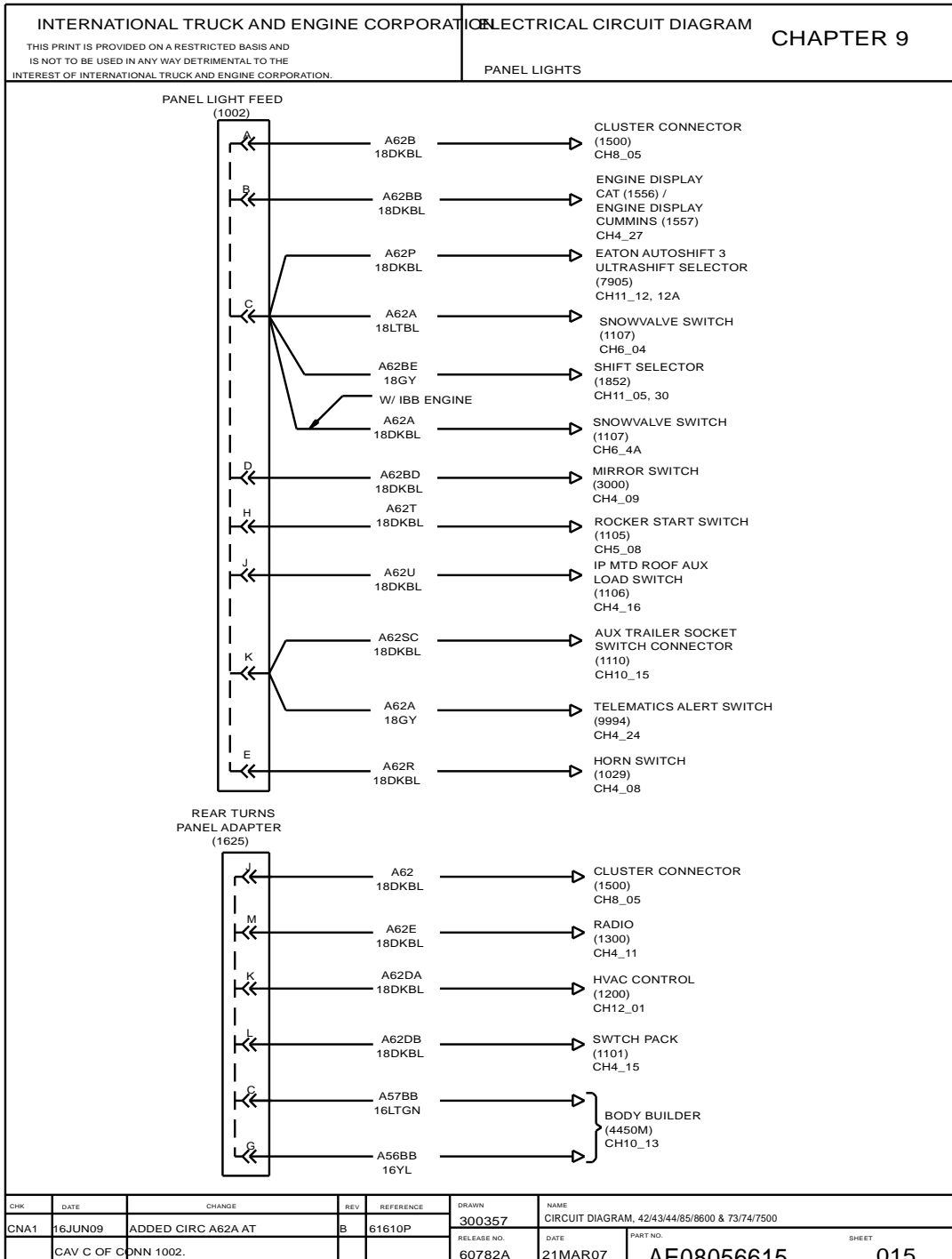


Figure 162 Panel Lights

9.16. WORK LIGHT, P. 16

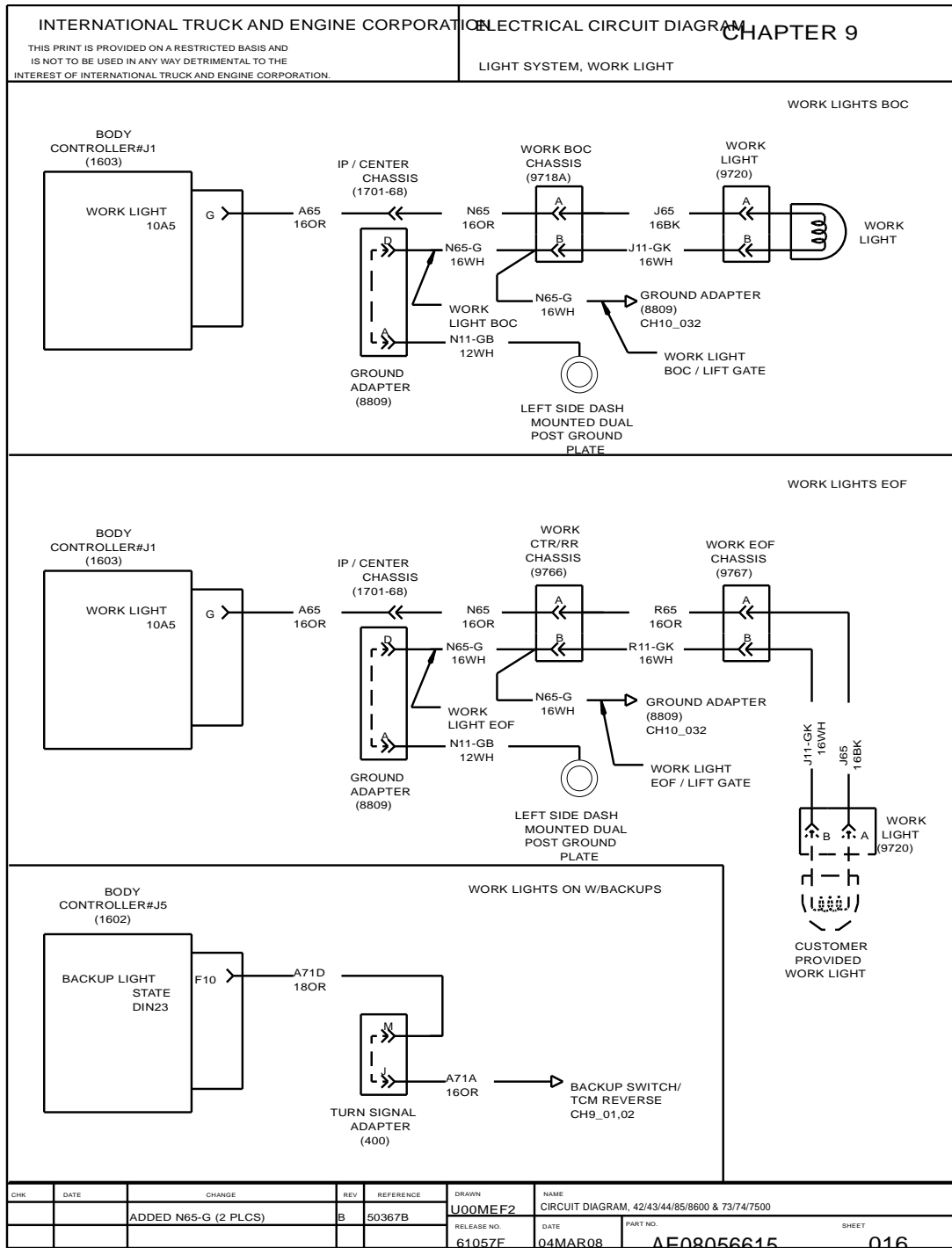


Figure 163 Work Light

# CHASSIS ACCESSORIES (CHAPTER 10)

## 10.1. ABS – BENDIX AIR, P. 1

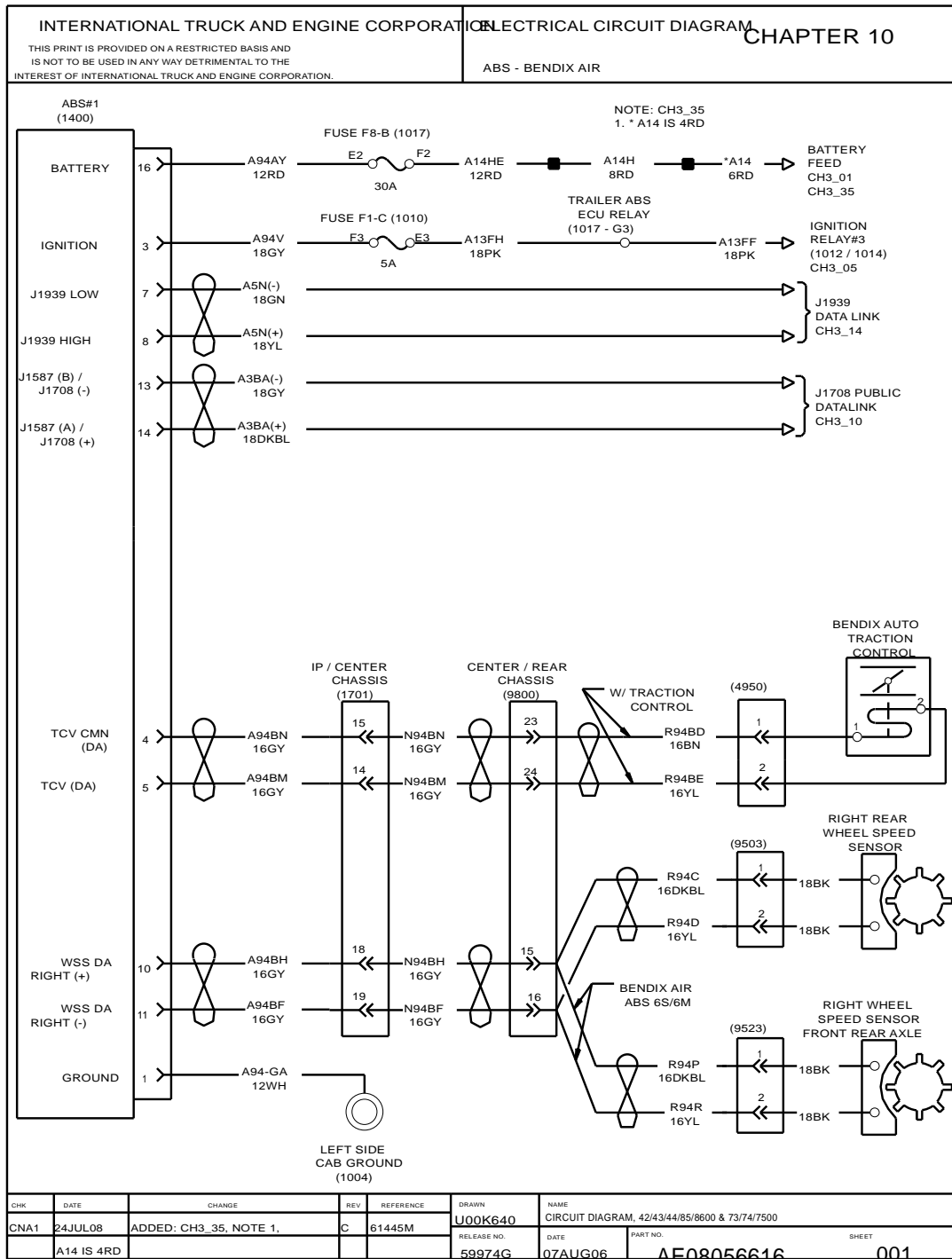


Figure 164 ABS – Bendix Air



10.2. ABS – BENDIX AIR, P. 2

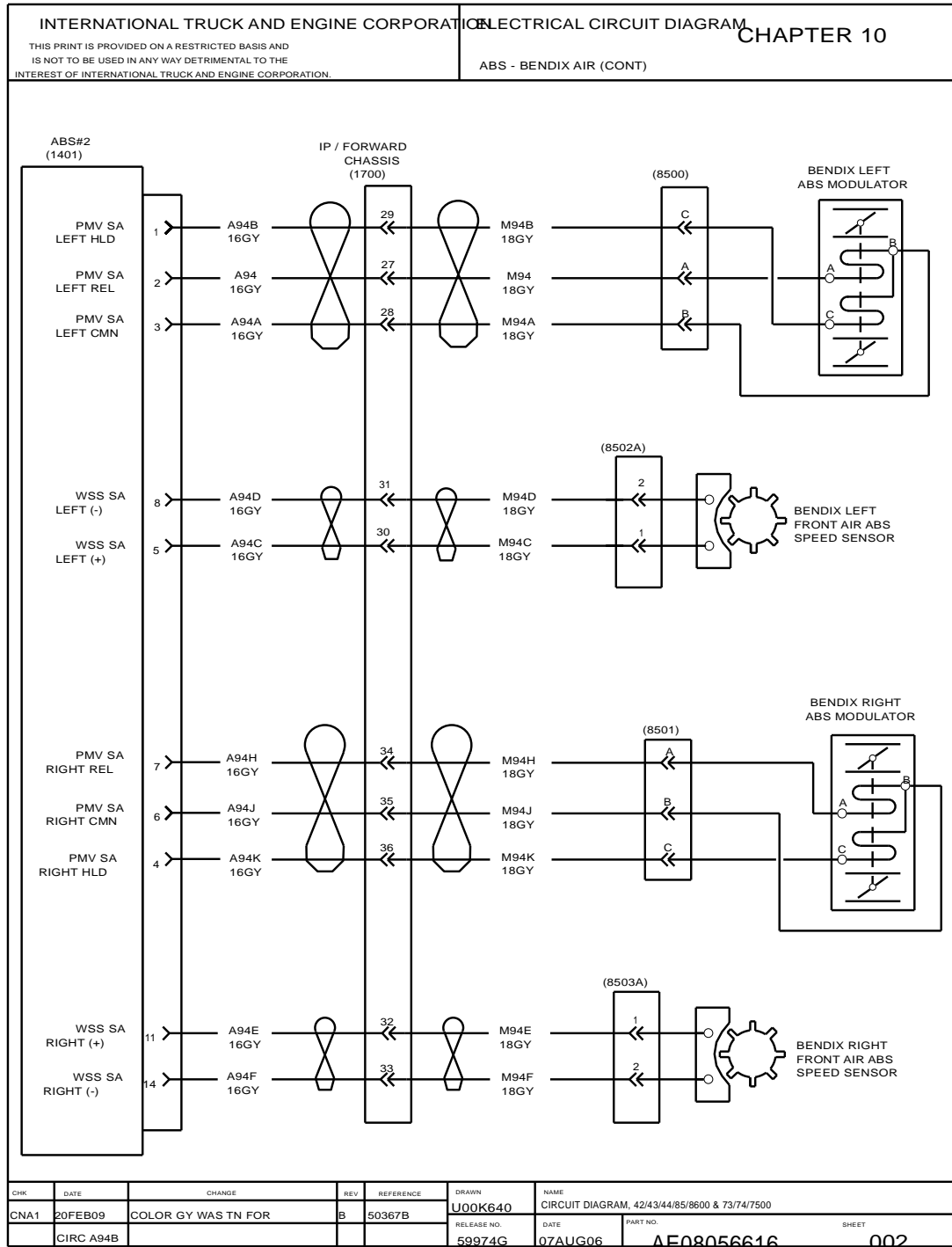


Figure 165 ABS – Bendix Air (Cont.)

10.3. ABS – BENDIX AIR (CONT.), P. 3

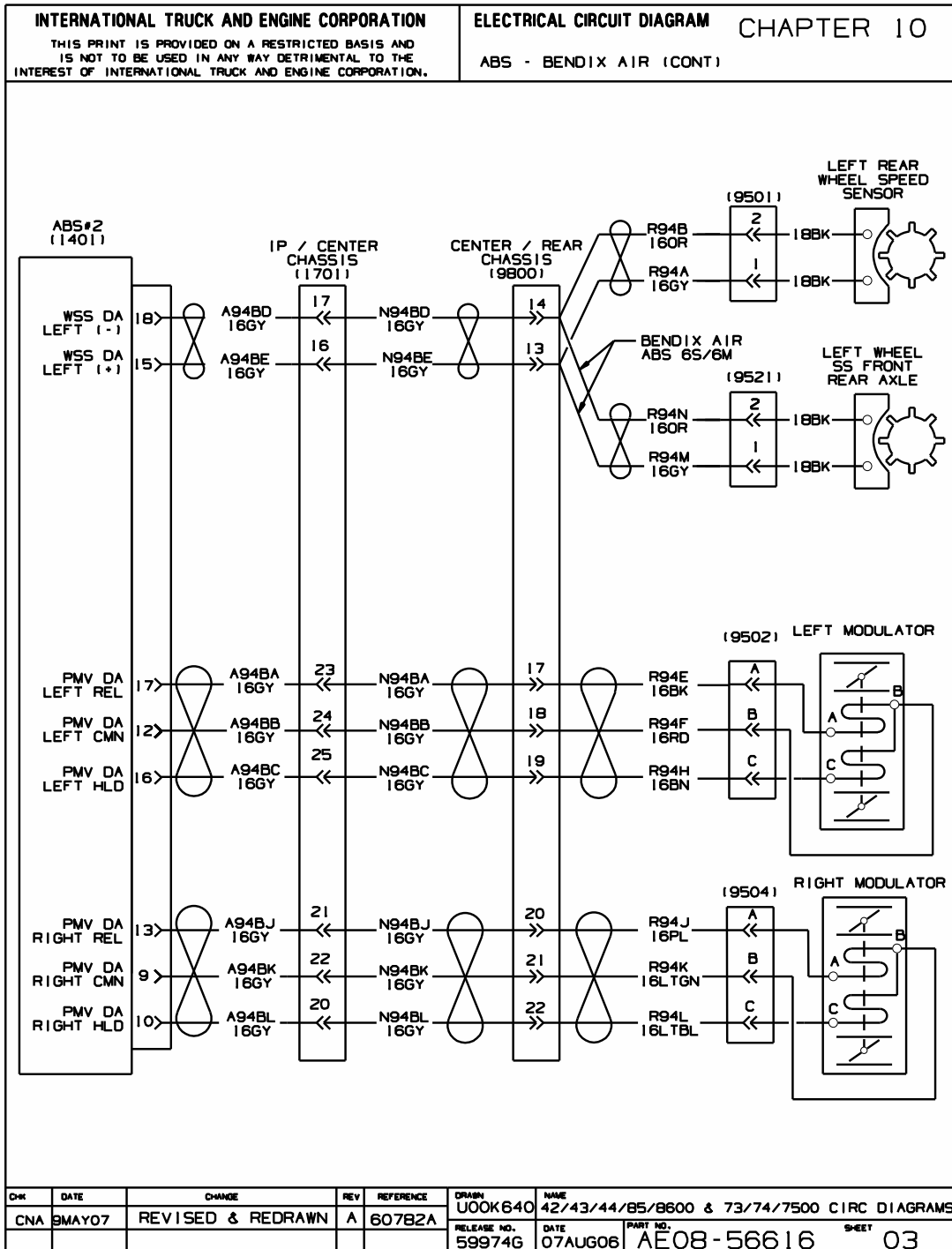


Figure 166 ABS – Bendix Air (Cont.)

10.4. ABS – WABCO AIR (8000 MODELS), P. 4

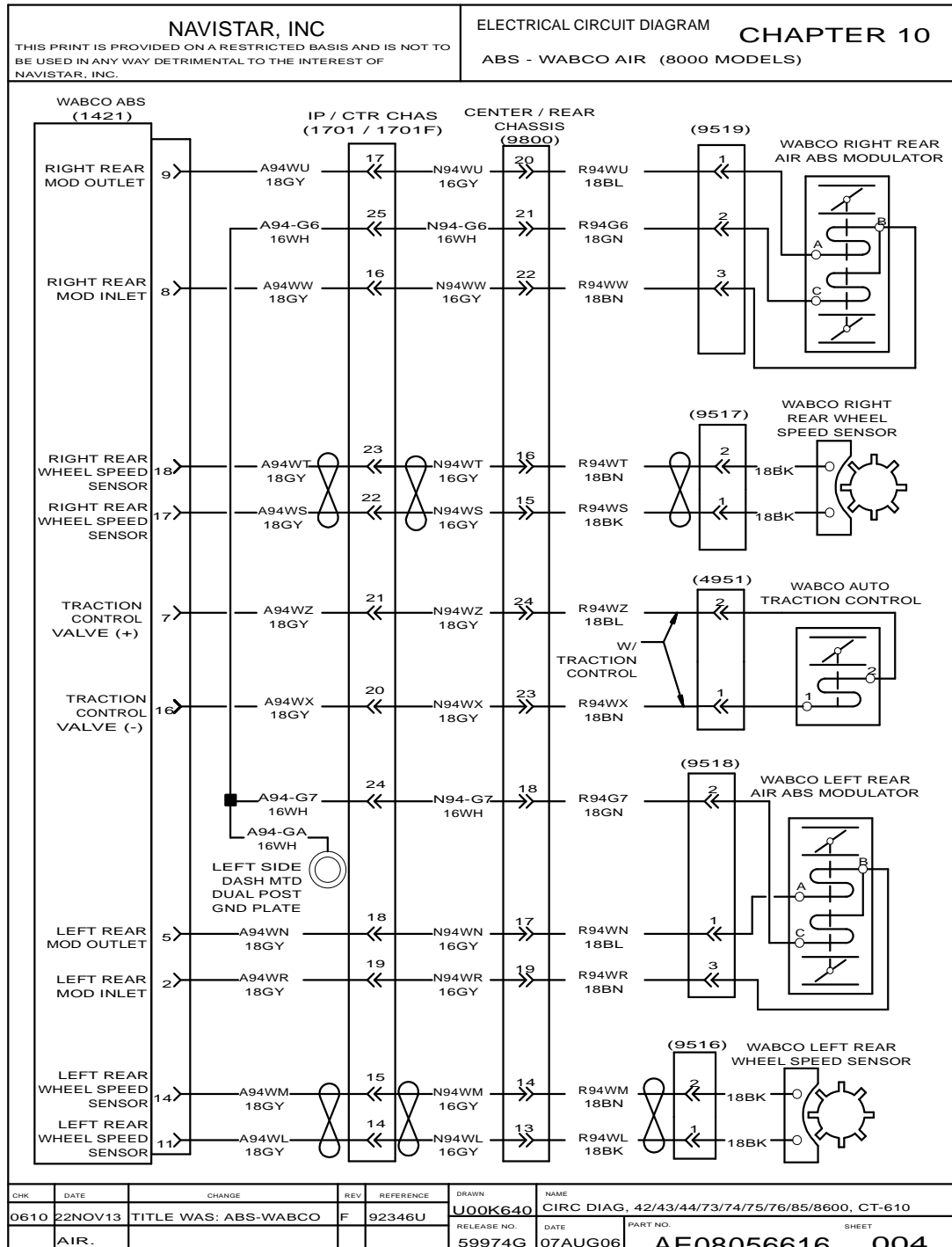


Figure 167 ABS – Wabco Air (8000 Models)

10.5. ABS – WABCO AIR (4000 / 7000 MODELS), P. 4A

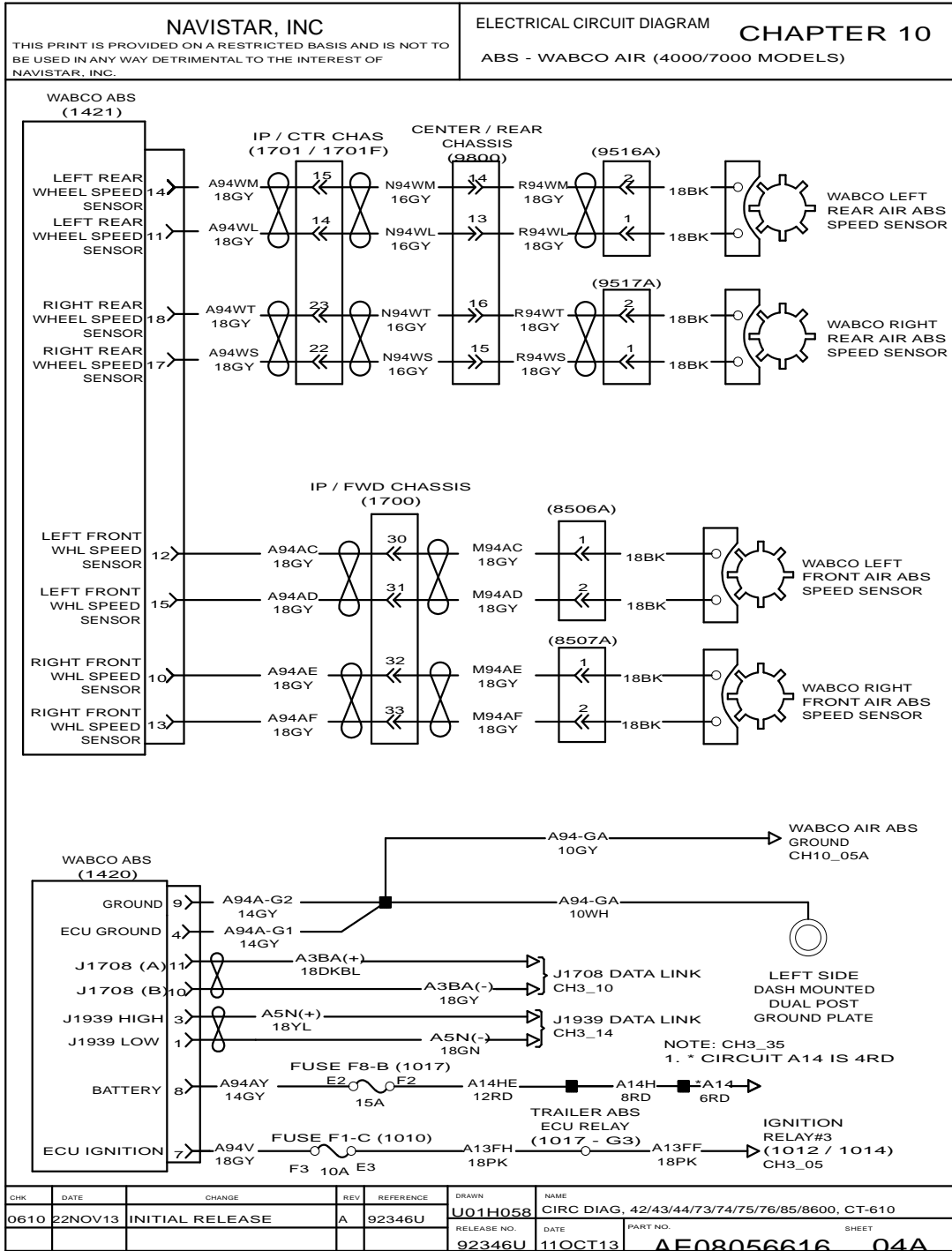


Figure 168 ABS – Wabco Air (4000 / 7000 Models)

10.6. ABS – WABCO AIR (8000 MODELS) (CONT.), P. 5

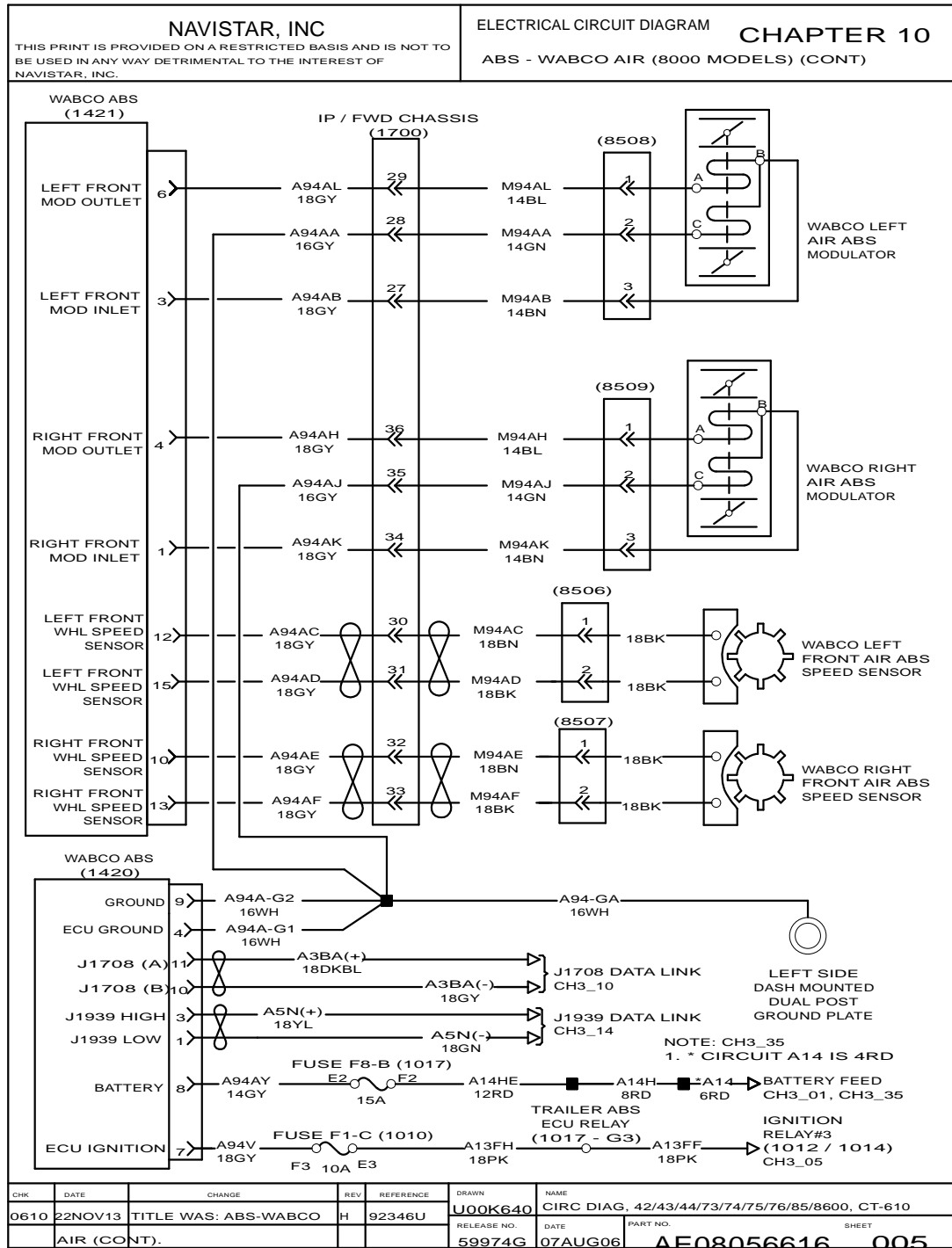


Figure 169 ABS – Wabco Air (8000 Models) (Cont.)

10.7. ABS – WABCO AIR (4000 / 7000 MODELS) (CONT.), P. 5A

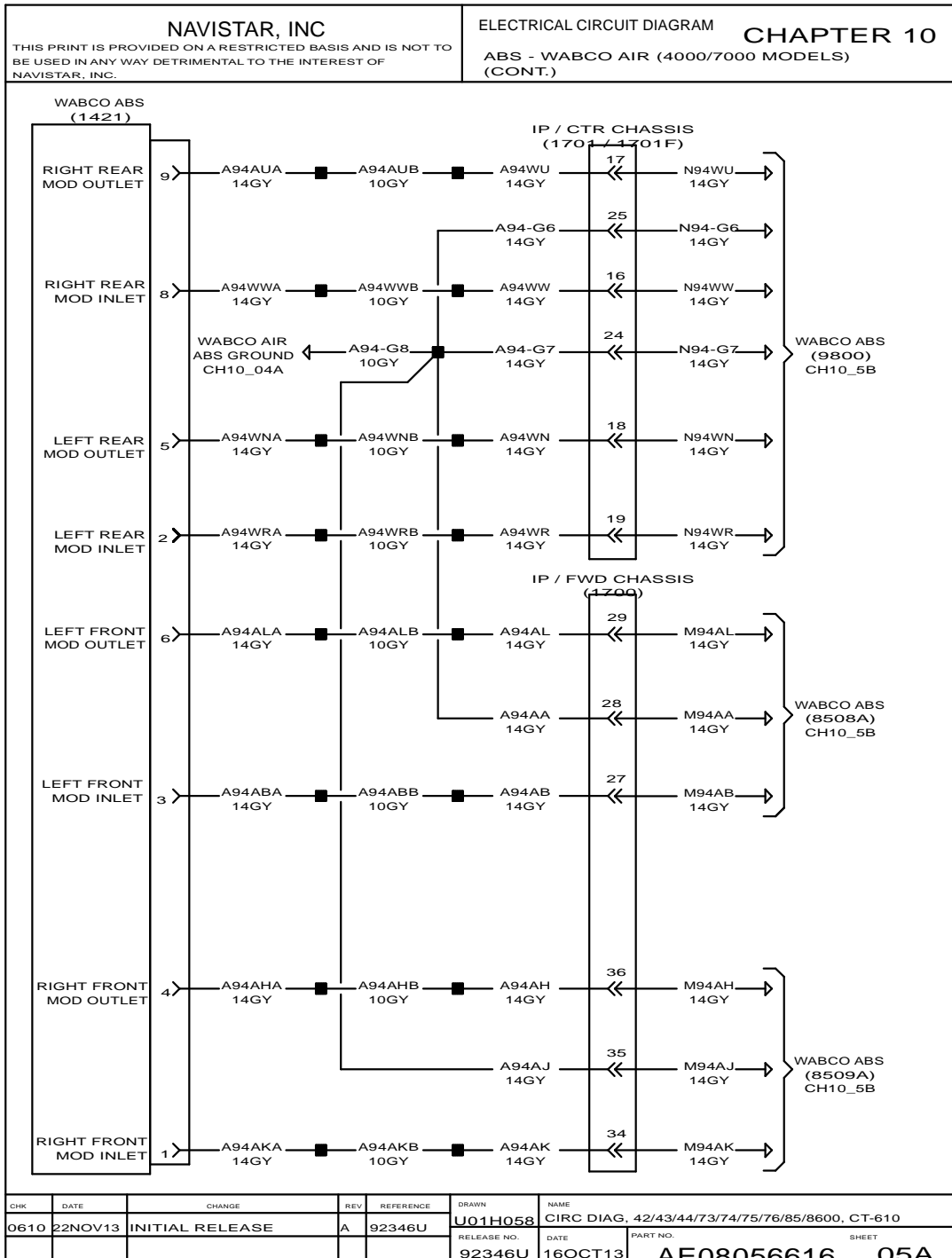


Figure 170 ABS – Wabco Air (4000 / 7000 Models) (Cont.)

10.8. ABS – WABCO AIR (4000 / 7000 MODELS) (CONT.), P. 5B

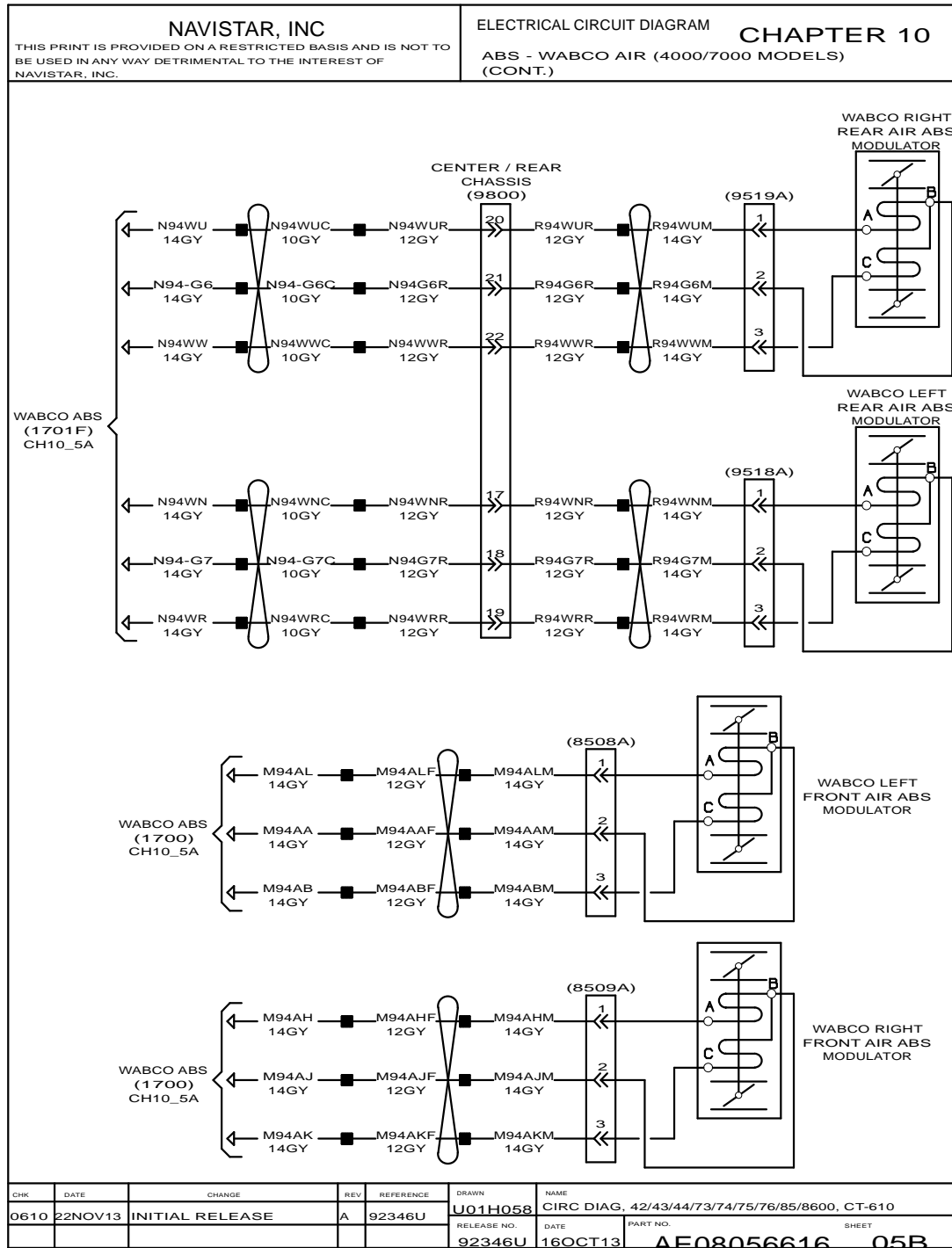


Figure 171 ABS – Wabco Air (4000 / 7000 Models) (Cont.)

10.9. WABCO FULL POWER BRAKES, P. 6

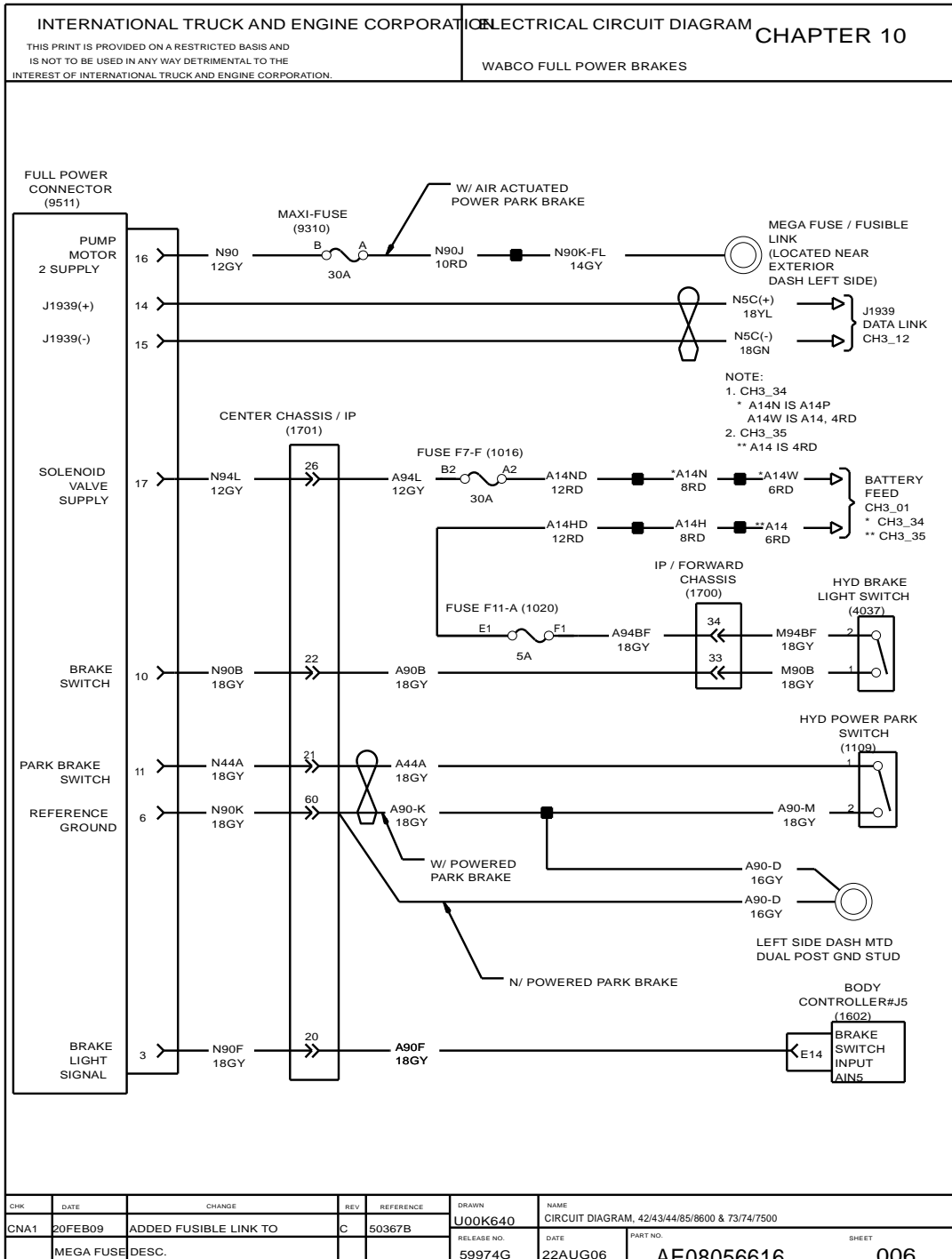


Figure 172 Wabco Full Power Brakes



10.10. WABCO FULL POWER BRAKES, P. 7

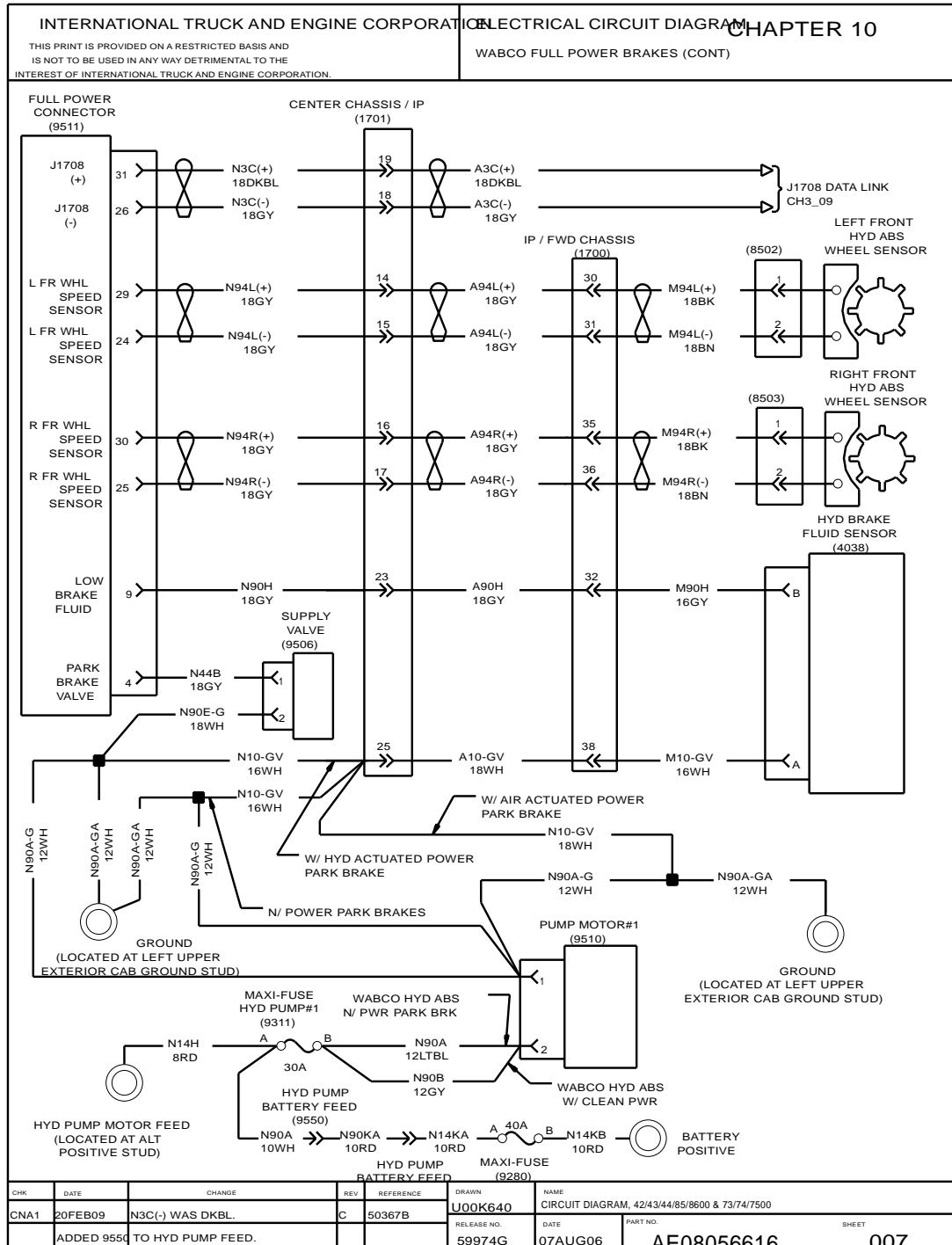


Figure 173 Wabco Full Power Brakes

10.11. WABCO FULL POWER BRAKES, P. 8

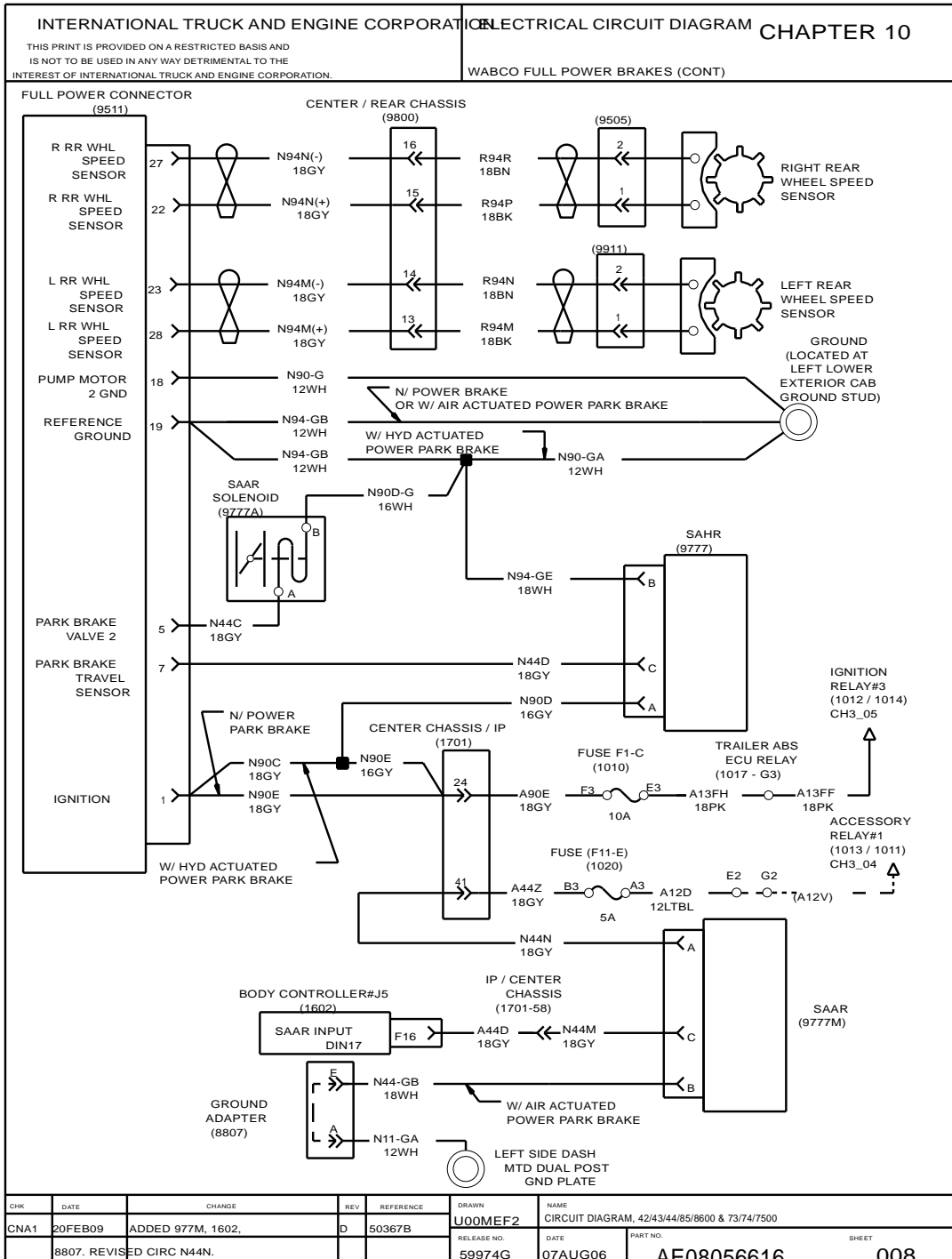


Figure 174 Wabco Full Power Brakes (Cont.)

10.12. BODY BUILDER AND TRAILER – TURN, MARKERS AND STOP, P. 9

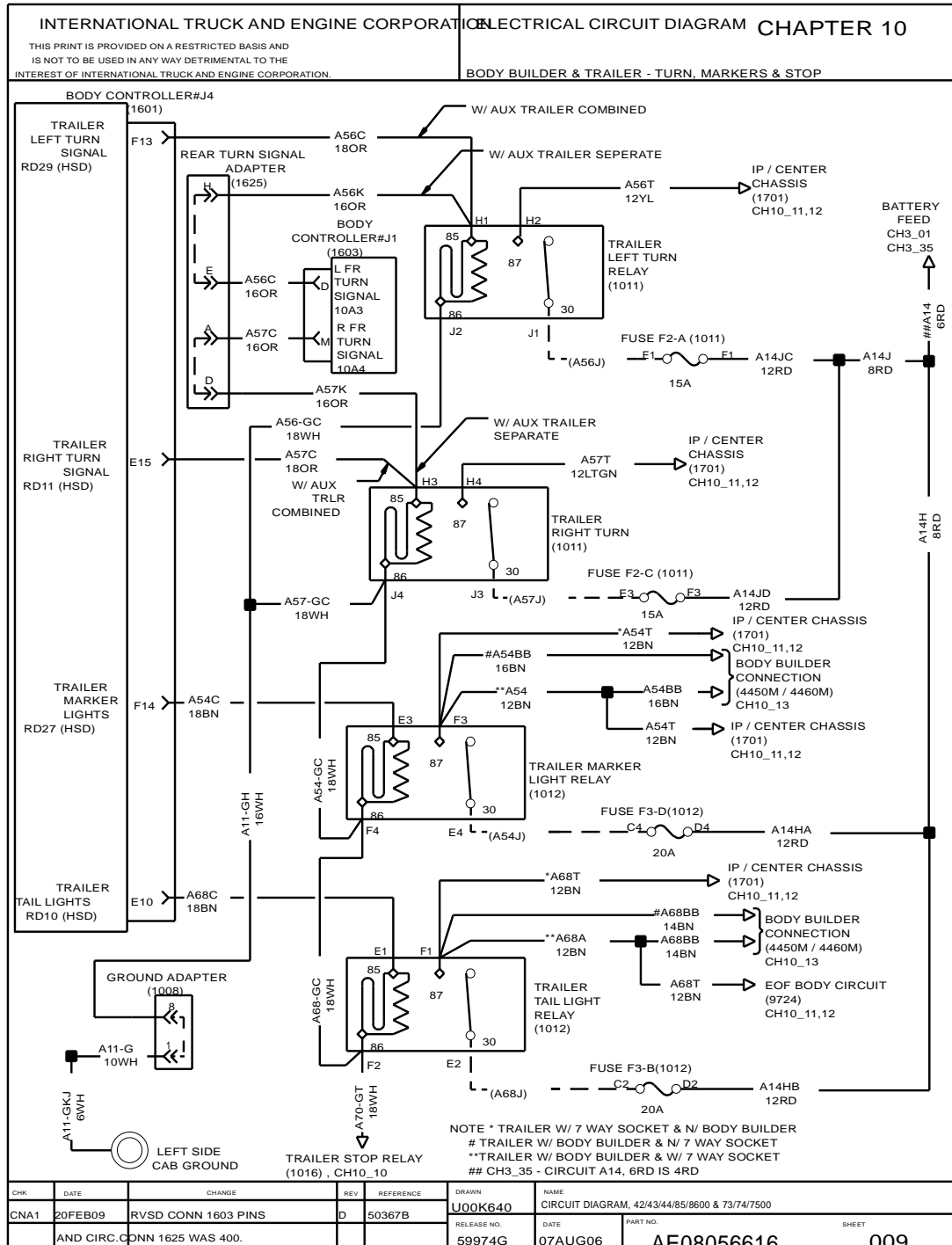


Figure 175 Body Builder and Trailer – Turn, Markers and Stop

10.13. BODY BUILDER AND TRAILER – TURN, MARKERS AND STOP, P. 10

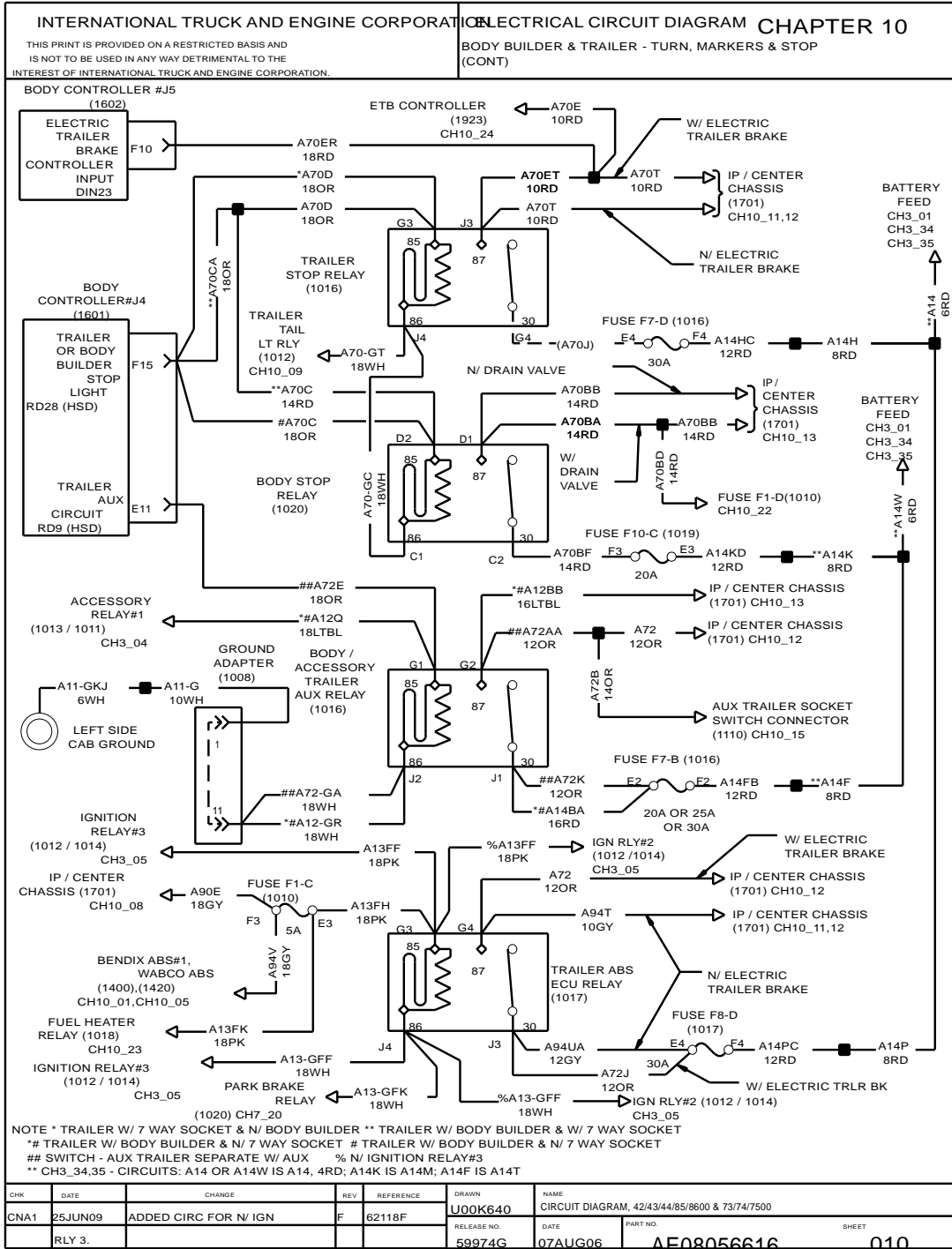


Figure 176 Body Builder and Trailer – Turn, Markers and Stop (Cont.)

10.14. TRAILER SOCKET – BOC AND EOF, P. 11

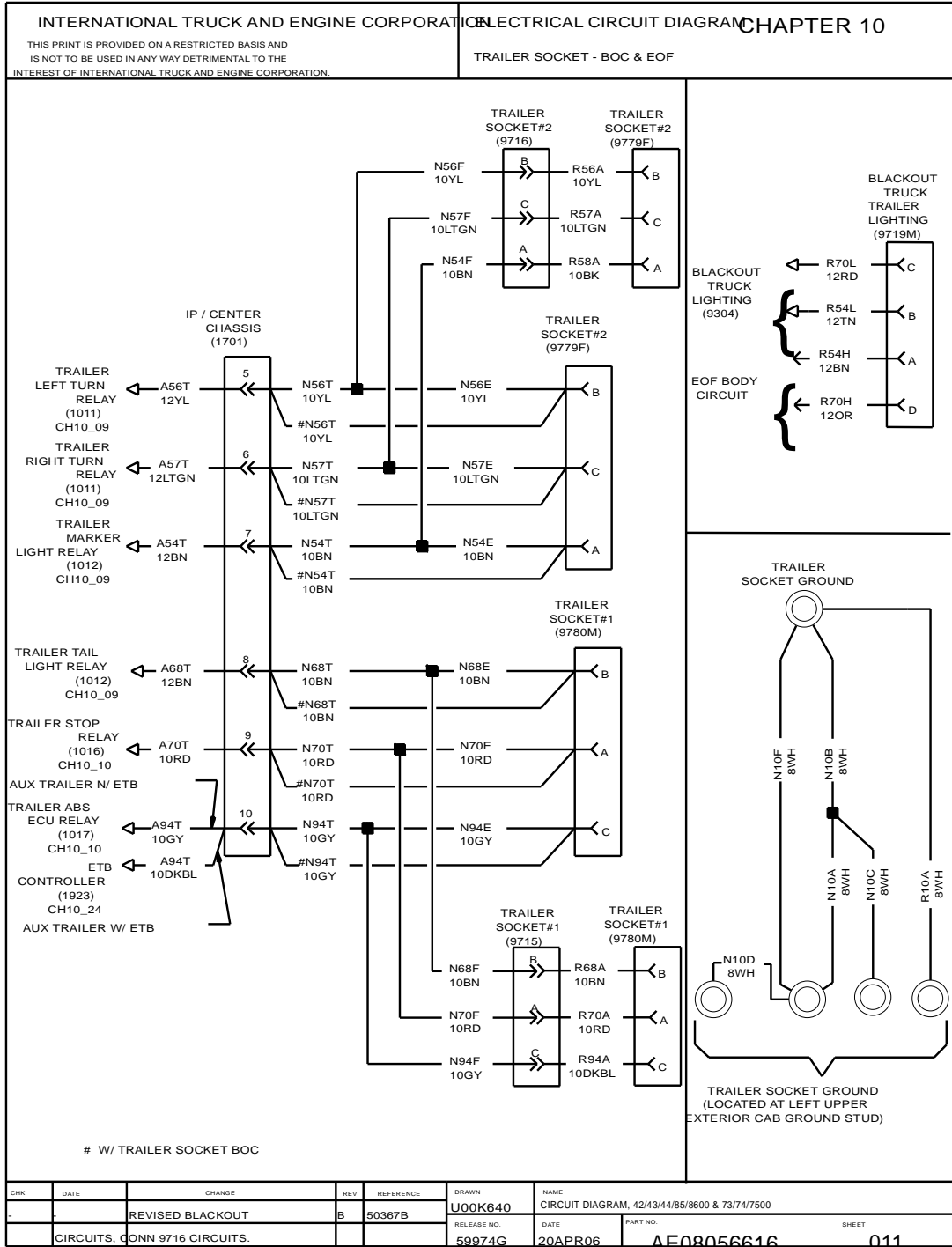


Figure 177 Trailer Socket – BOC and EOF

10.15. BODY BUILDER AND TRAILER SOCKET – BOC AND EOF, P. 12

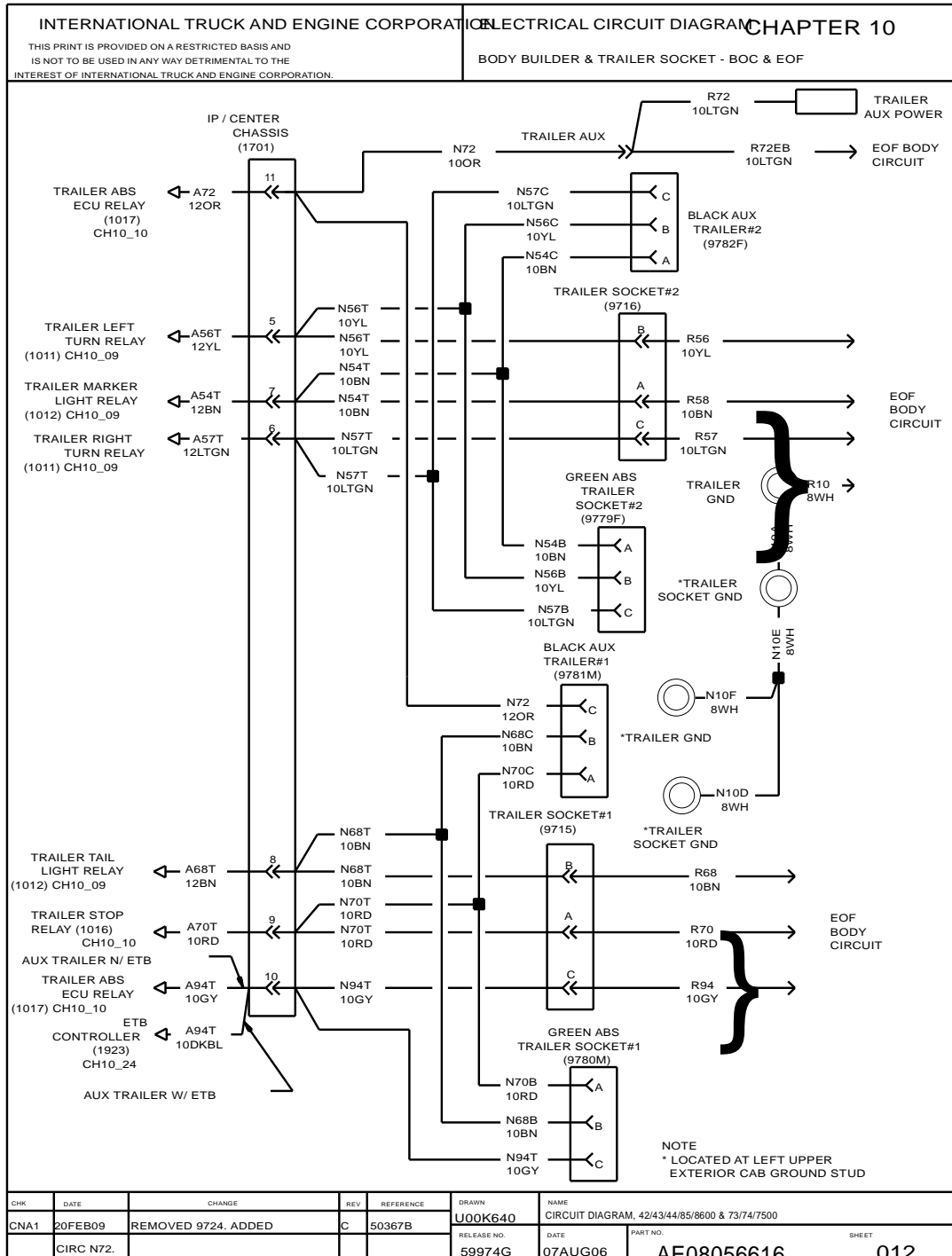


Figure 178 Body Builder and Trailer Socket – BOC and EOF

10.16. BODY BUILDER CONNECTIONS, P. 13

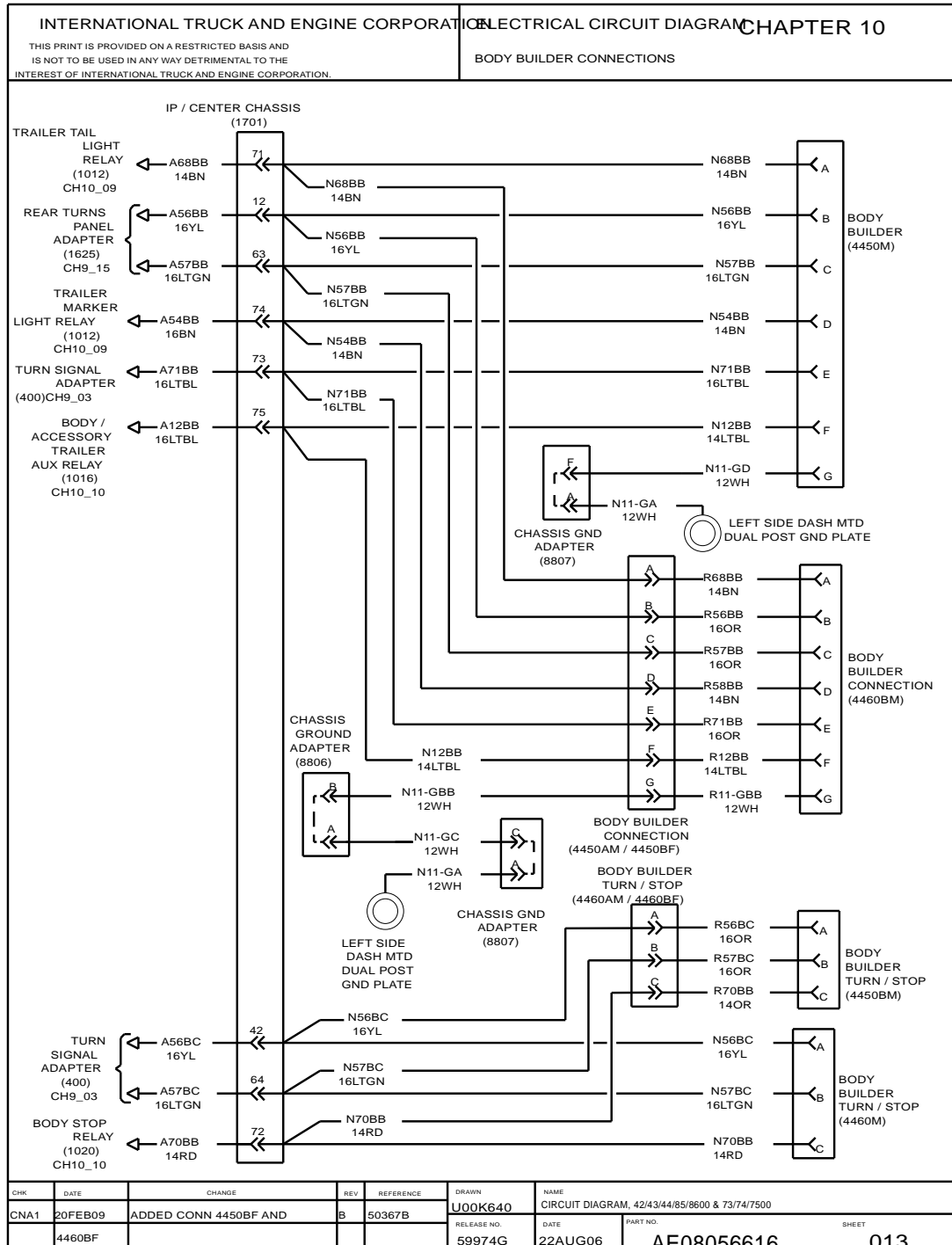


Figure 179 Body Builder Connections

10.17. REMOTE START / STOP, P. 14

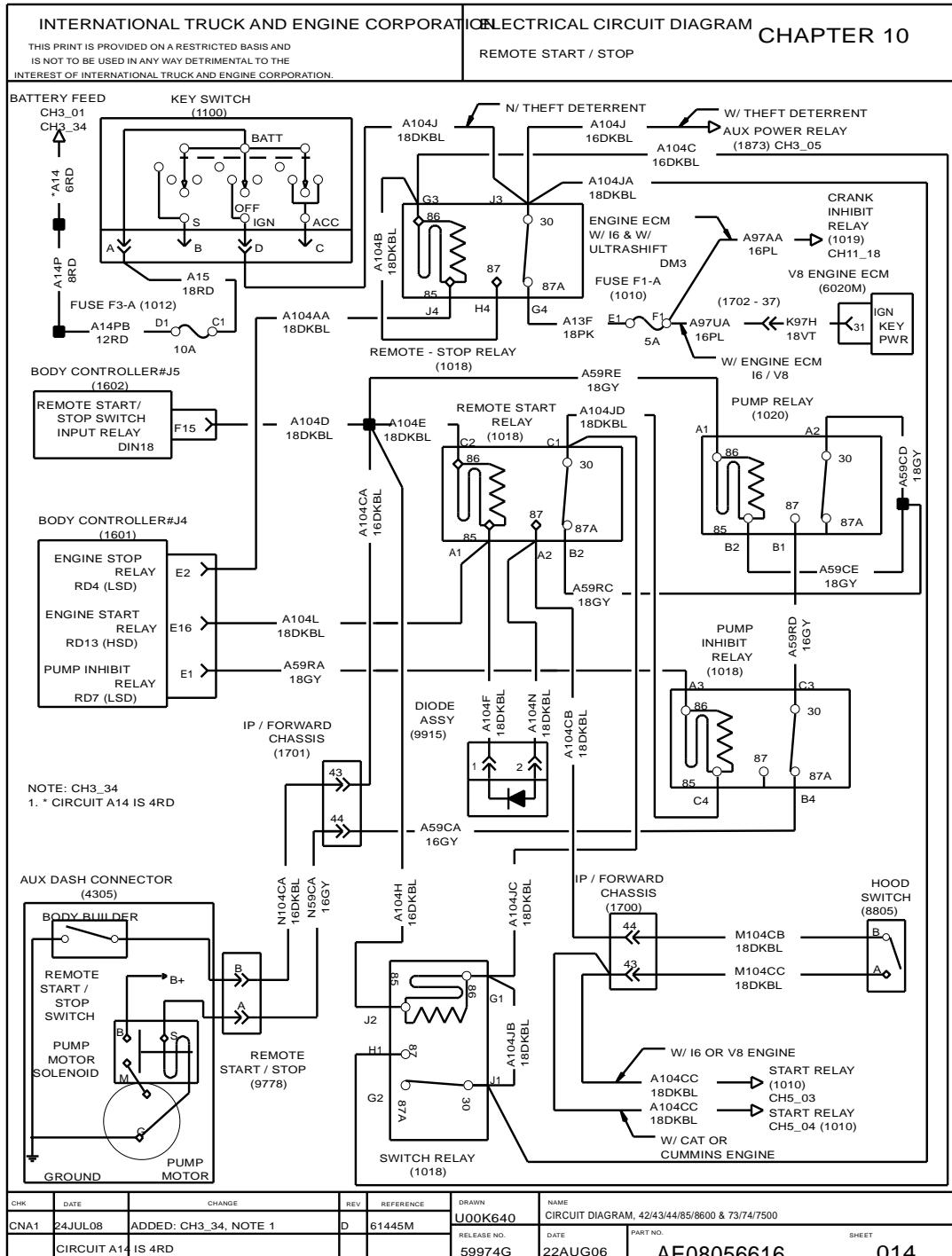


Figure 180 Remote Start / Stop



10.18. AUX TRAILER CIRCUIT, P. 15

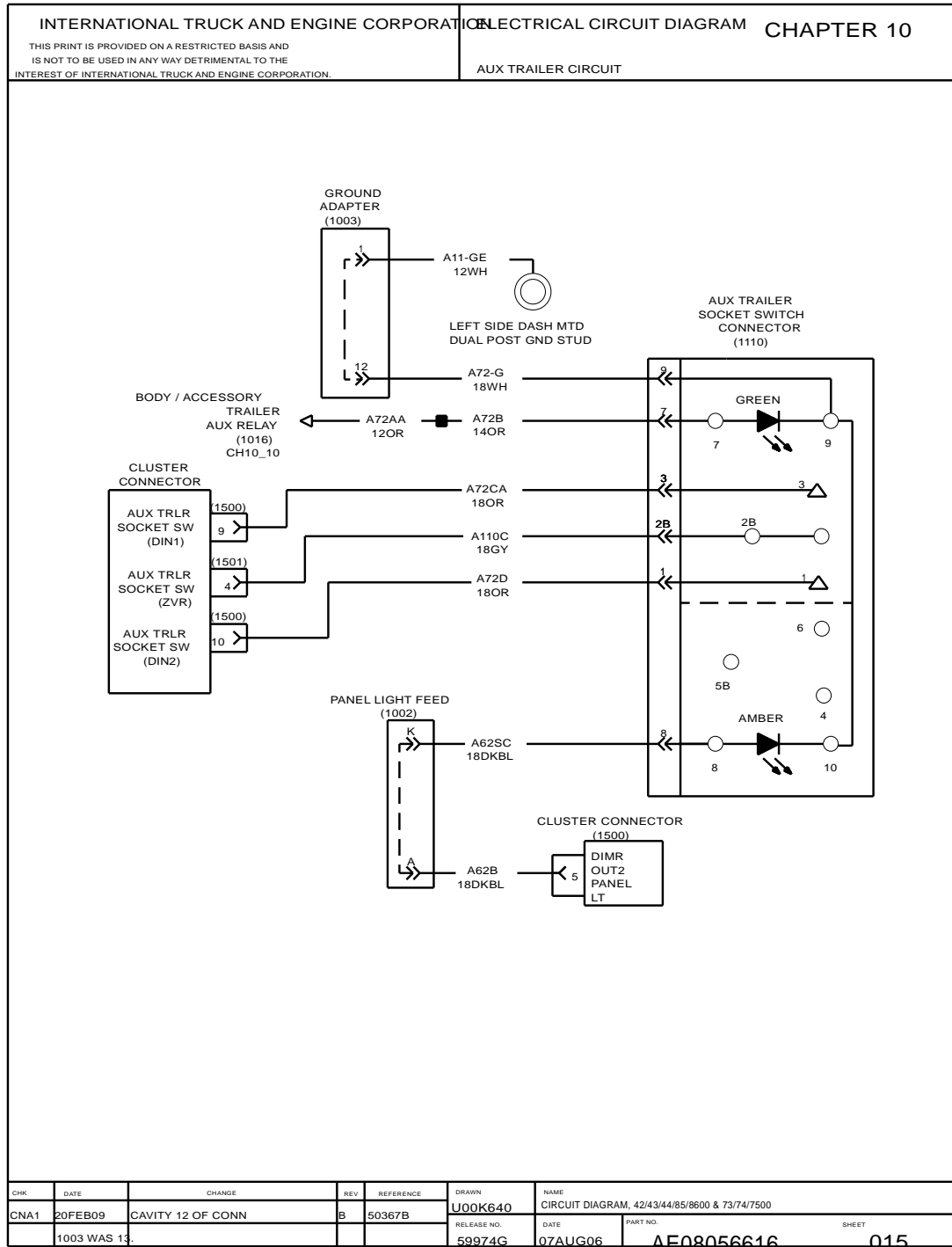


Figure 181 Aux Trailer Circuit

10.19. TWO SPEED AXLE SWITCH, P. 16

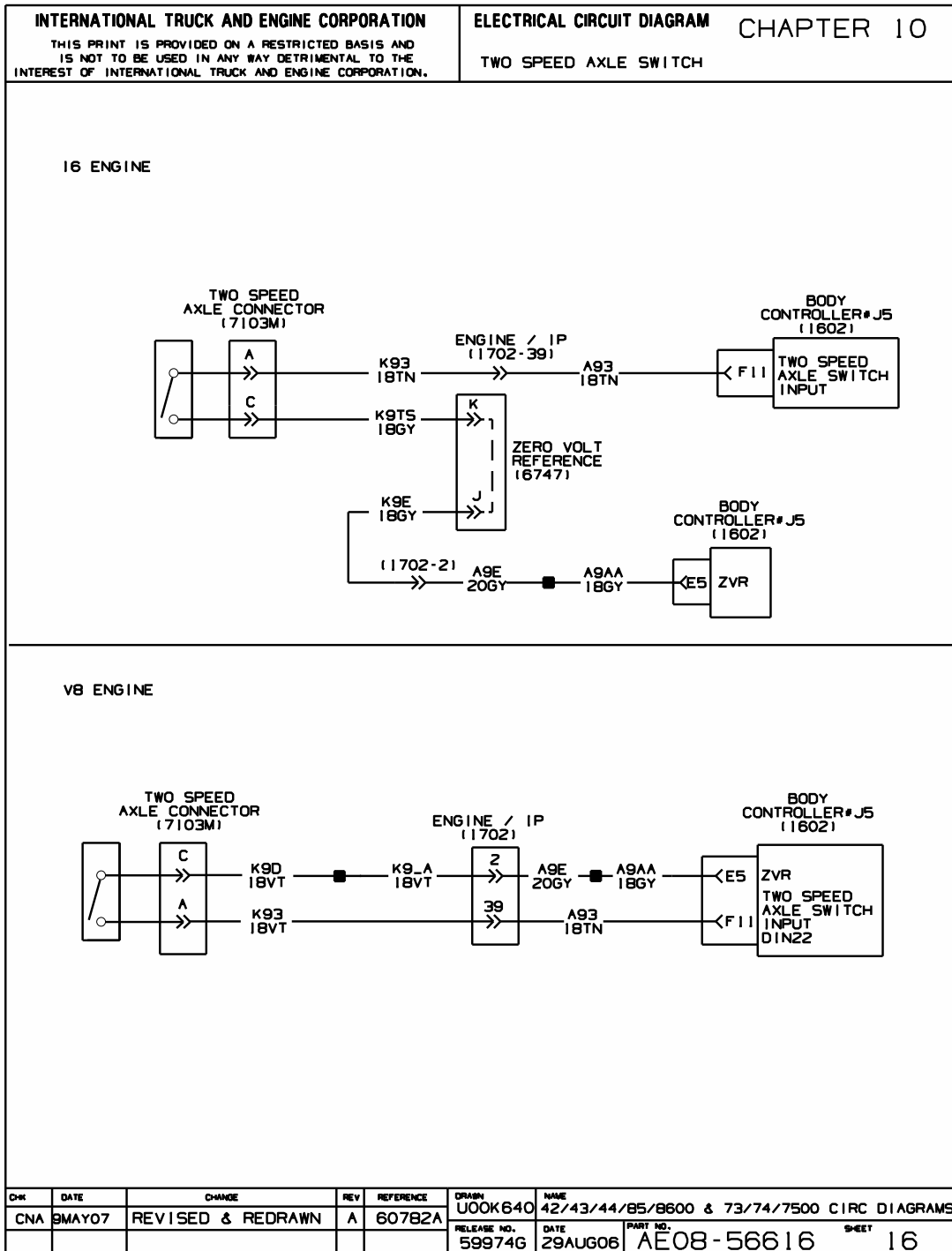


Figure 182 Two Speed Axle Switch

10.20. AIR SOLENOID, P. 17

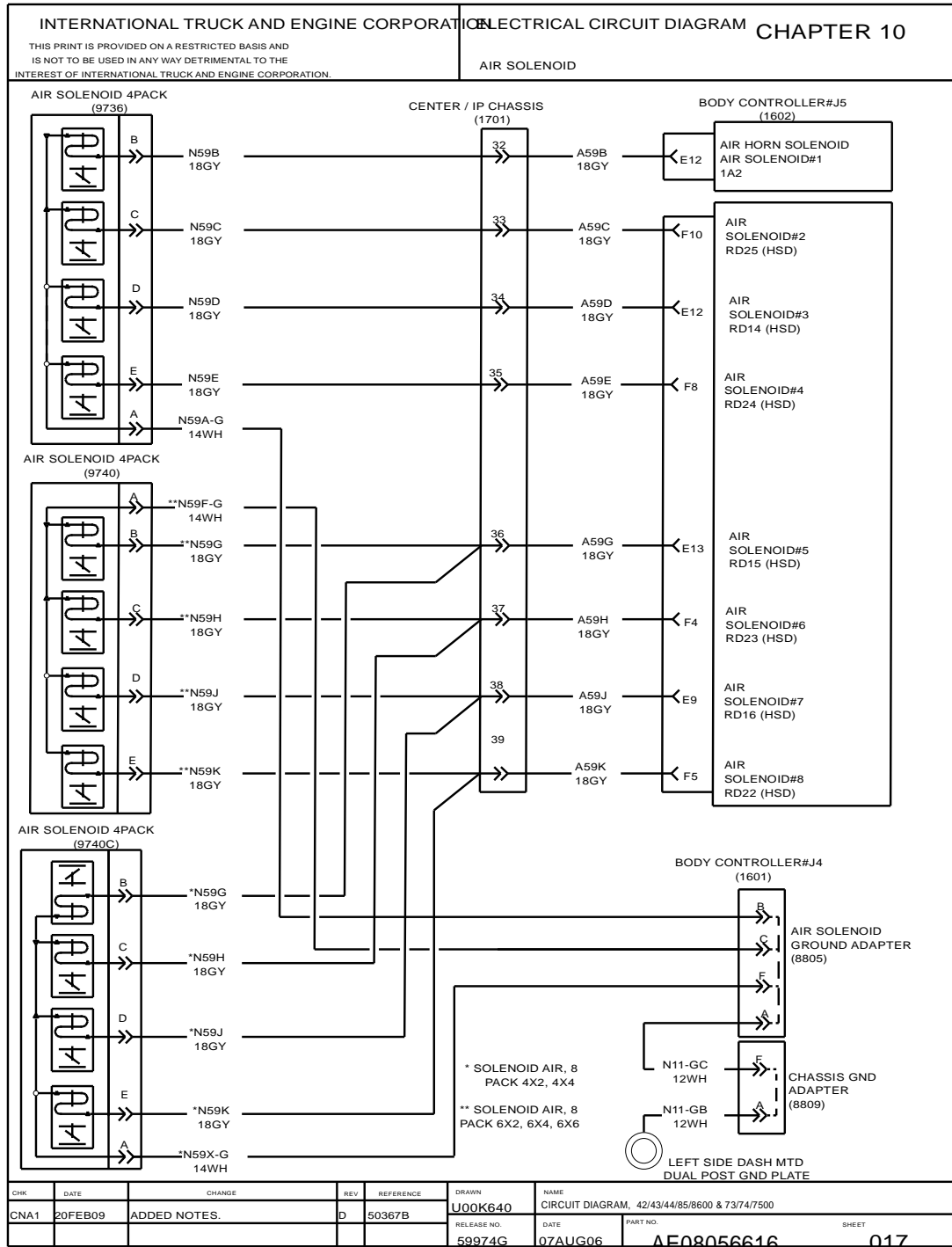


Figure 183 Air Solenoid

10.21. AIR SOLENOID (CONT.), P. 18

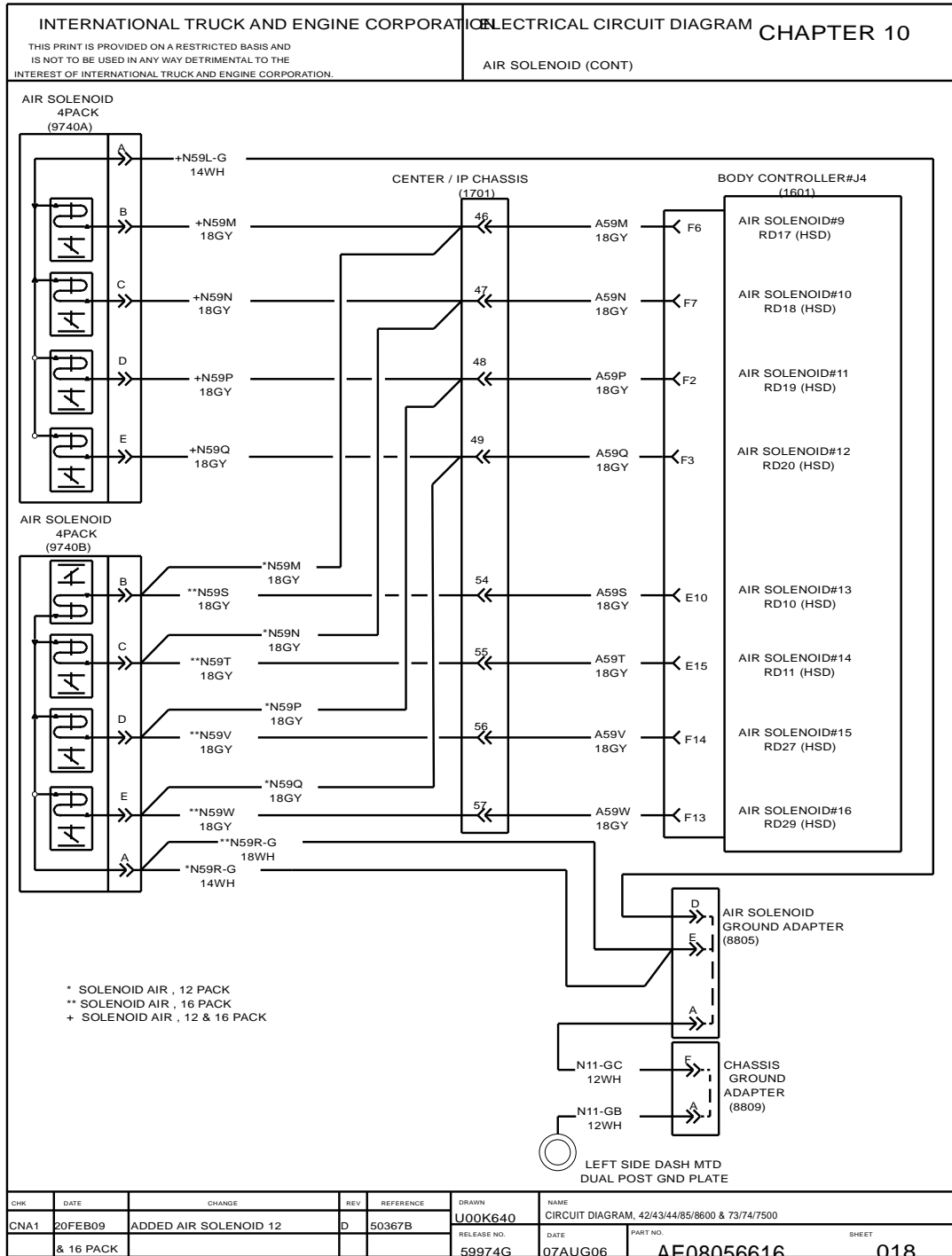


Figure 184 Air Solenoid (Cont.)

10.22. REMOTE POWER MODULE – BATTERY BOX MOUNTED, P. 19

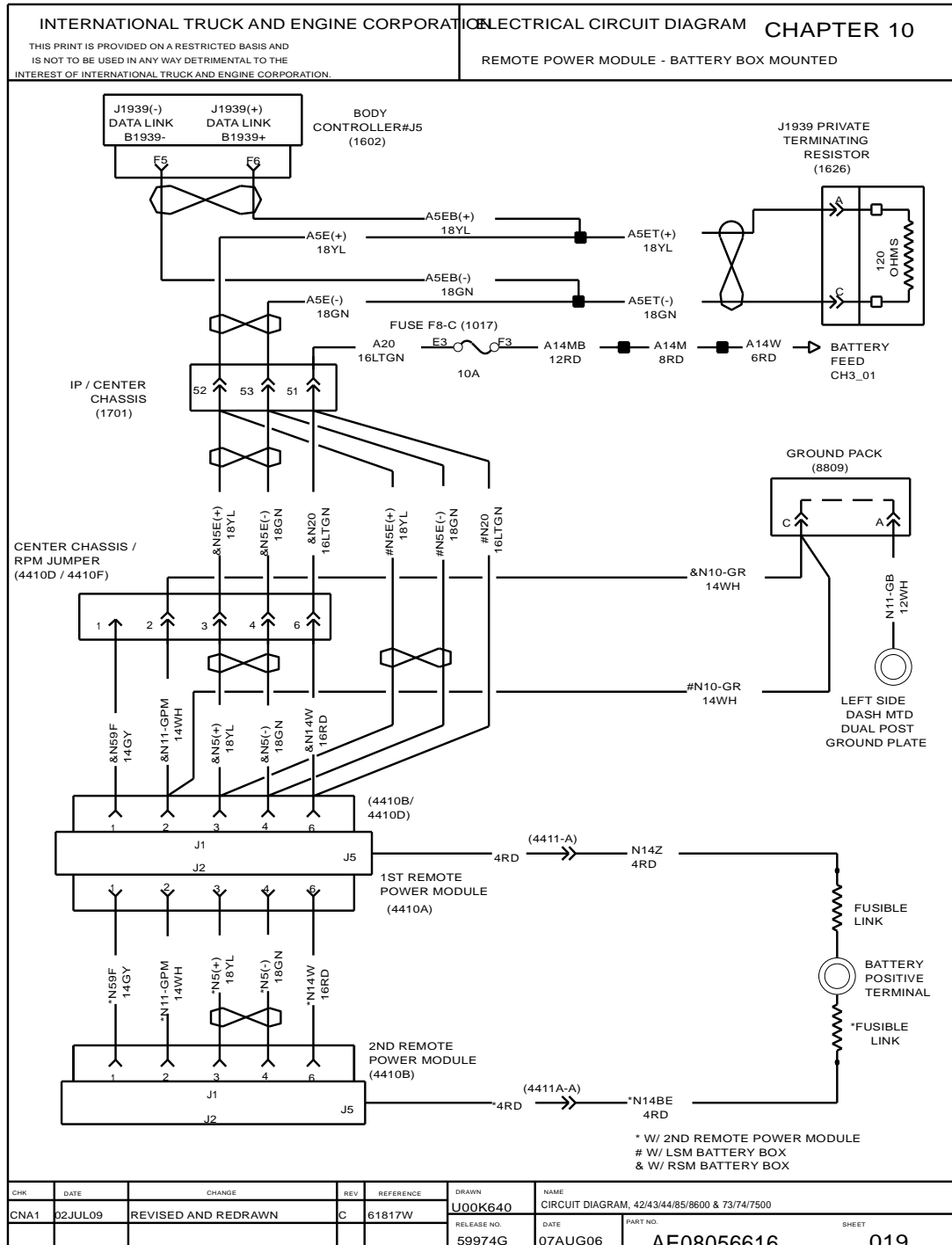


Figure 185 Remote Power Module – Battery Box Mounted

10.23. REMOTE POWER MODULE – CAB MOUNTED, P. 19A

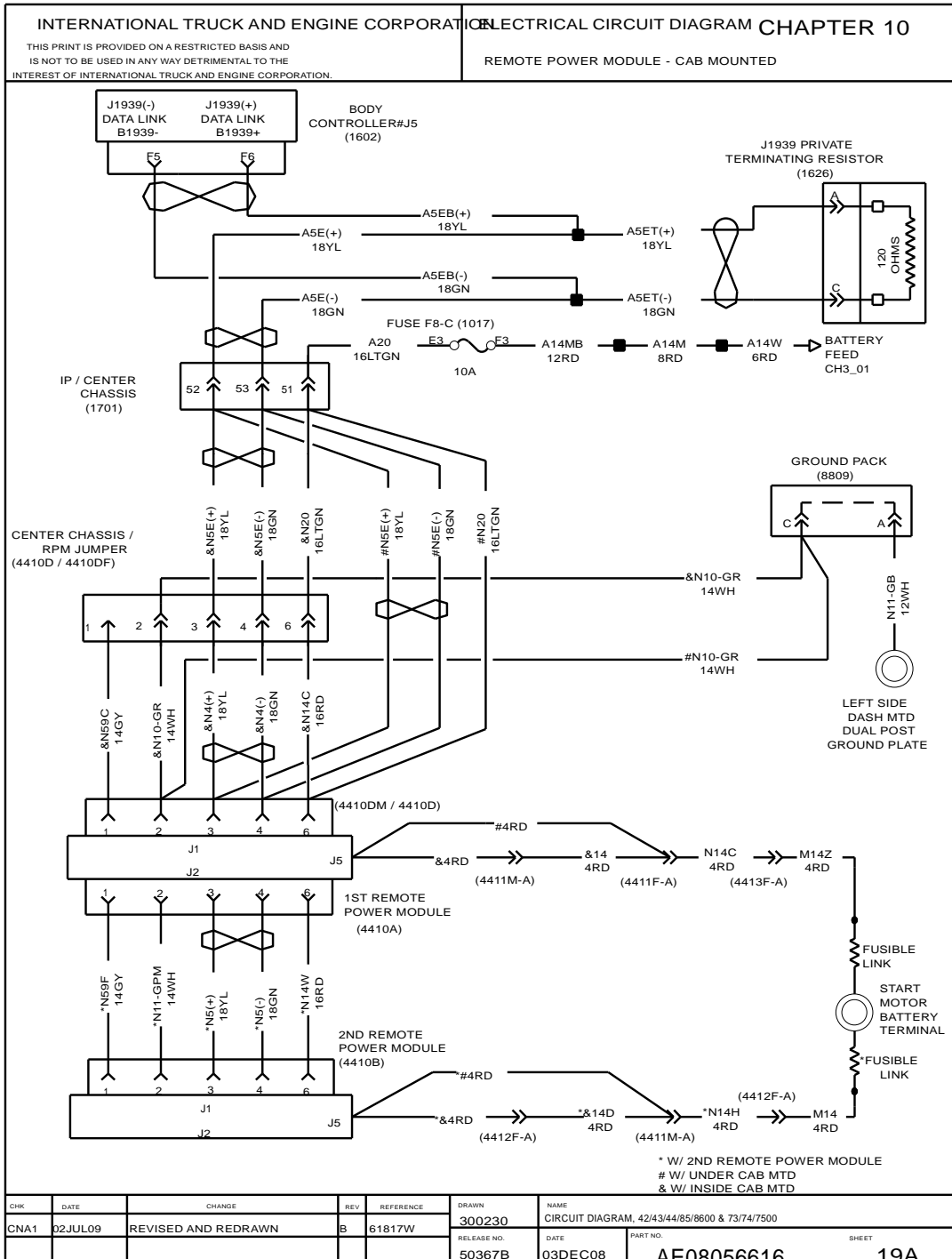


Figure 186 Remote Power Module – Cab Mounted

10.24. REMOTE POWER MODULE – END OF FRAME, P. 19B

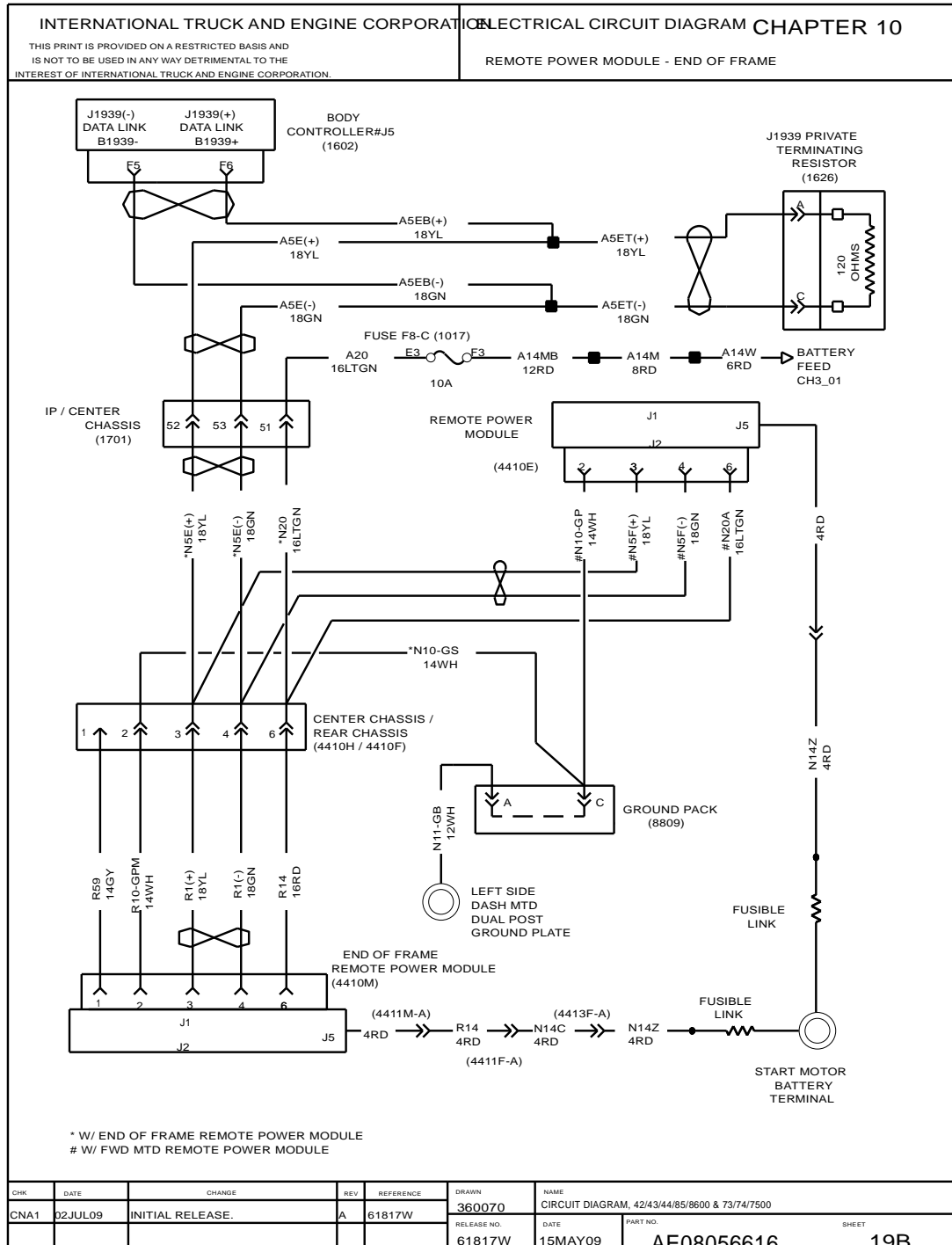


Figure 187 Remote Power Module – End of Frame

10.25. REMOTE ENGINE SPEED CONTROL MODULE – WITH REMOTE POWER MODULE, P. 19C

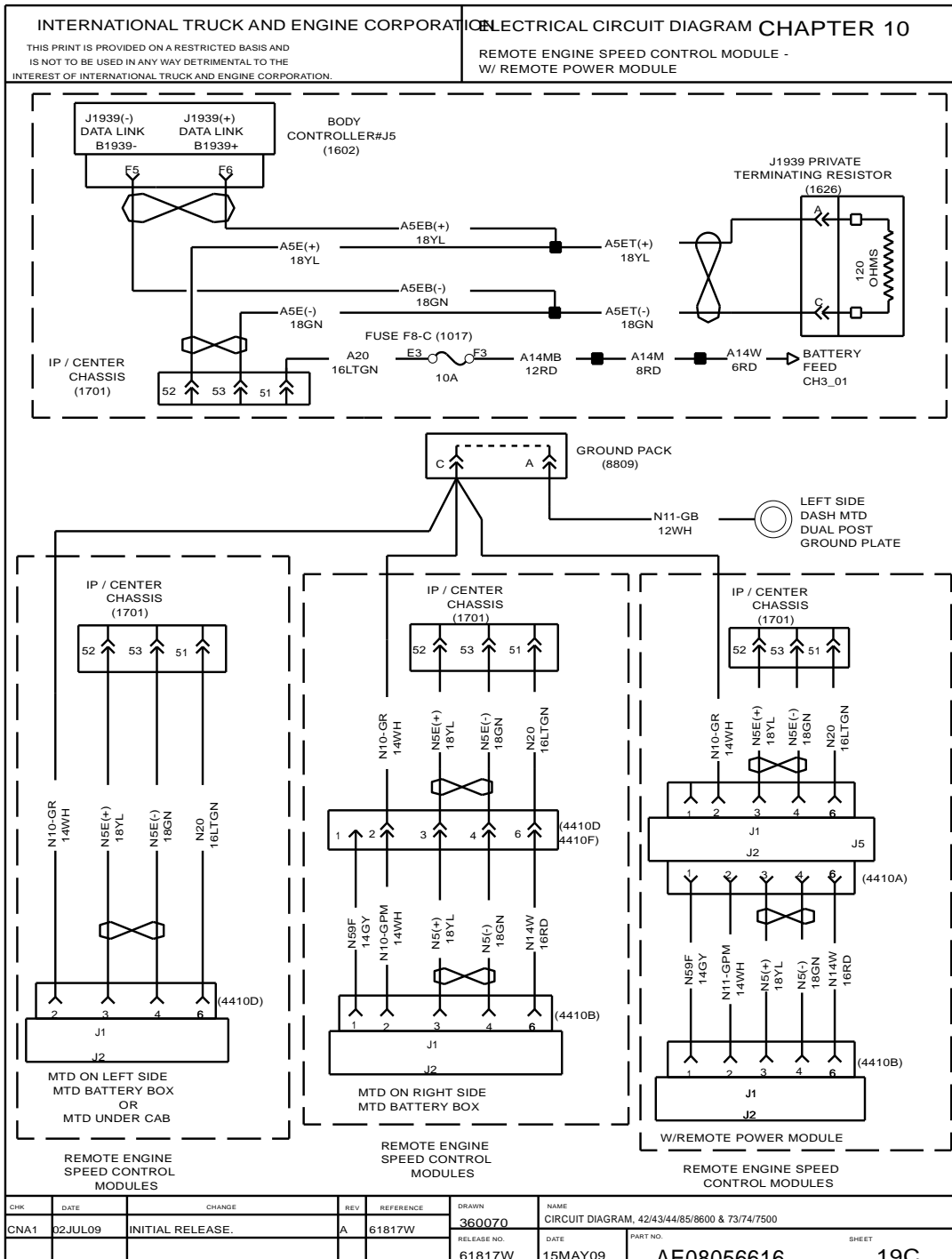


Figure 188 Remote Engine Speed Control Module – with Remote Power Module



10.26. BLANK PAGE, P. 20

INTERNATIONAL TRUCK AND ENGINE CORPORATION					ELECTRICAL CIRCUIT DIAGRAM					CHAPTER 10	
THIS PRINT IS PROVIDED ON A RESTRICTED BASIS AND IS NOT TO BE USED IN ANY WAY DETRIMENTAL TO THE INTEREST OF INTERNATIONAL TRUCK AND ENGINE CORPORATION.											
INTENTIONALLY LEFT BLANK											
CHK	DATE	CHANGE	REV	REFERENCE	DRAWN	NAME					
					U00K640	42/43/44/85/8600 & 73/74/7500 CIRC DIAGRAMS					
					RELEASE NO.	DATE	PART NO.	SHEET			
					59974G	20APR06	AF08-56616				20

Figure 189 Blank page

10.27. AUX AND POWER SOURCE, P. 21

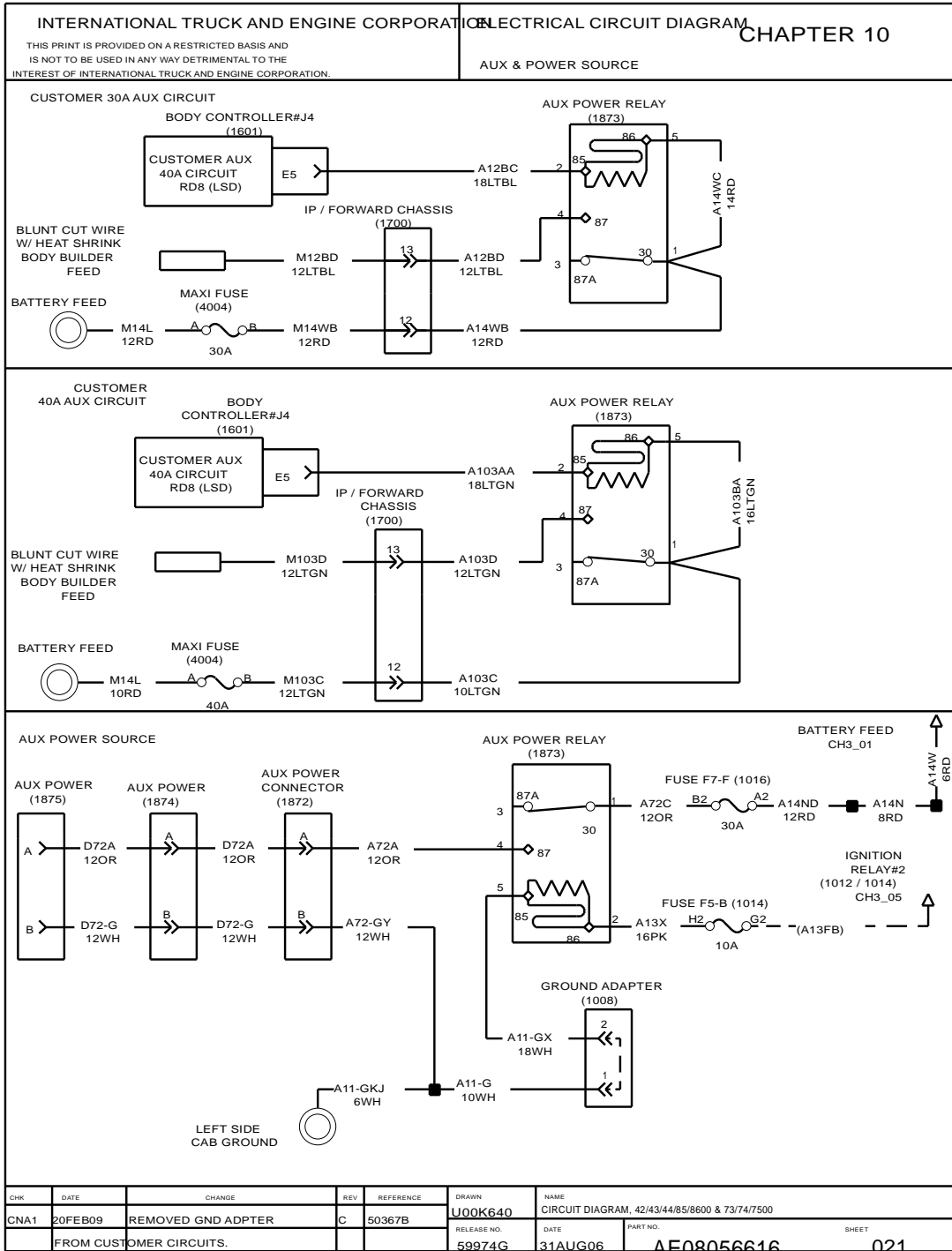


Figure 190 Aux and Power Source

10.28. AIR DRYER AND HEATED DRAIN VALVE, P. 22

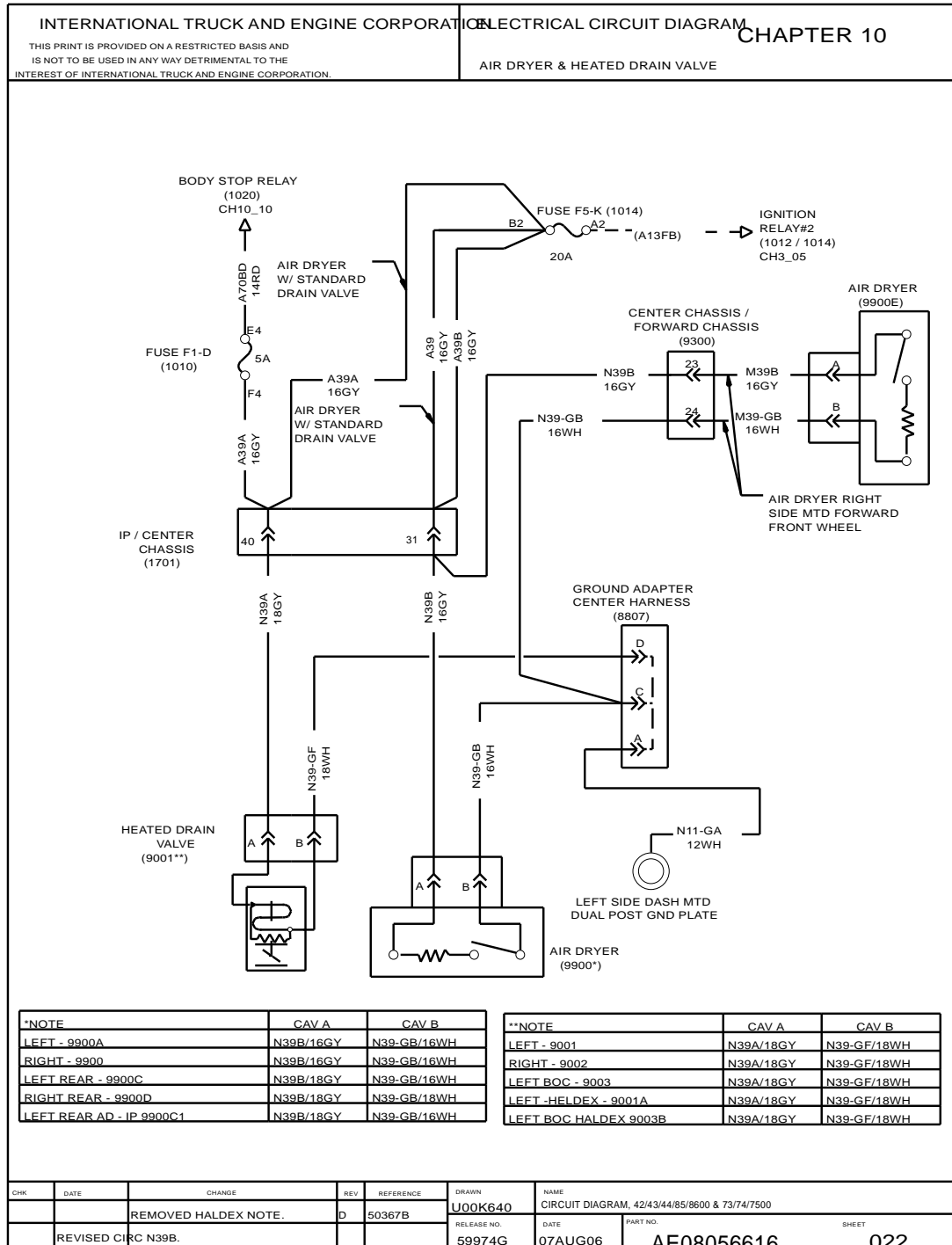


Figure 191 Air Dryer and Heated Drain Valve

10.29. FUEL / WATER SEPARATOR, P. 23

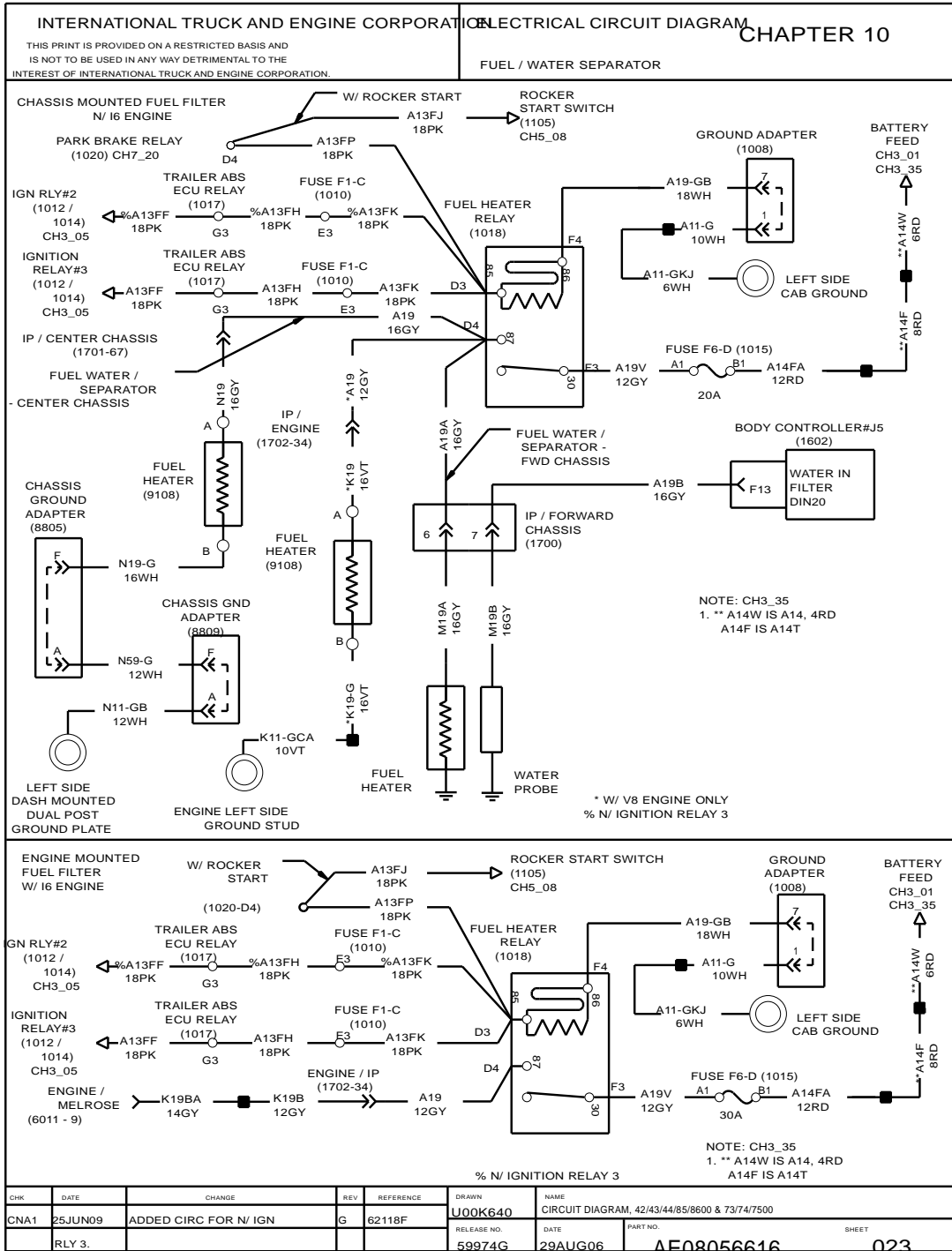


Figure 192 Fuel / Water Separator

10.30. ELECTRIC TRAILER BRAKE, P. 24

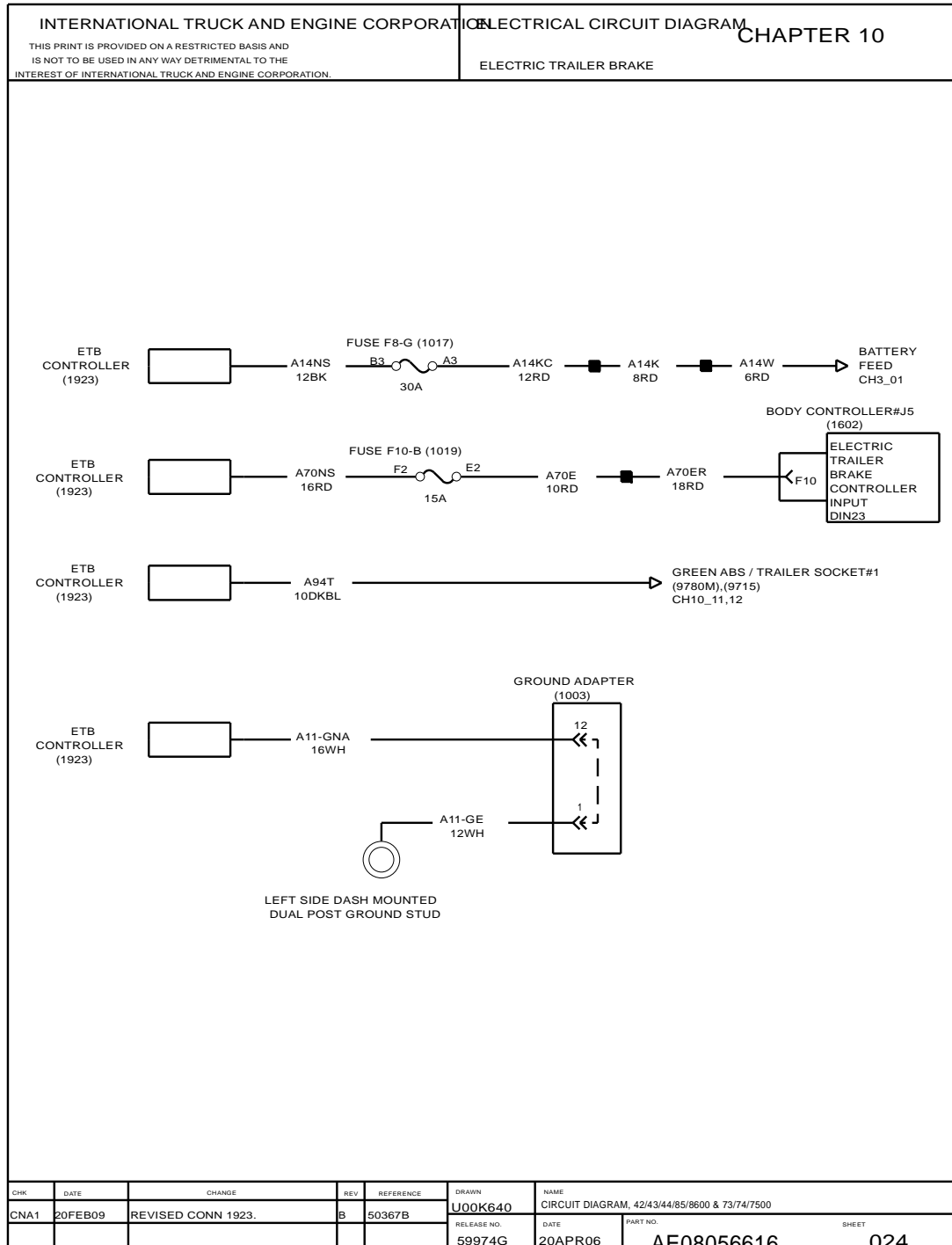


Figure 193 Electric Trailer Brake

10.31. LECTRASHIFT ACCOMMODATION, P. 25

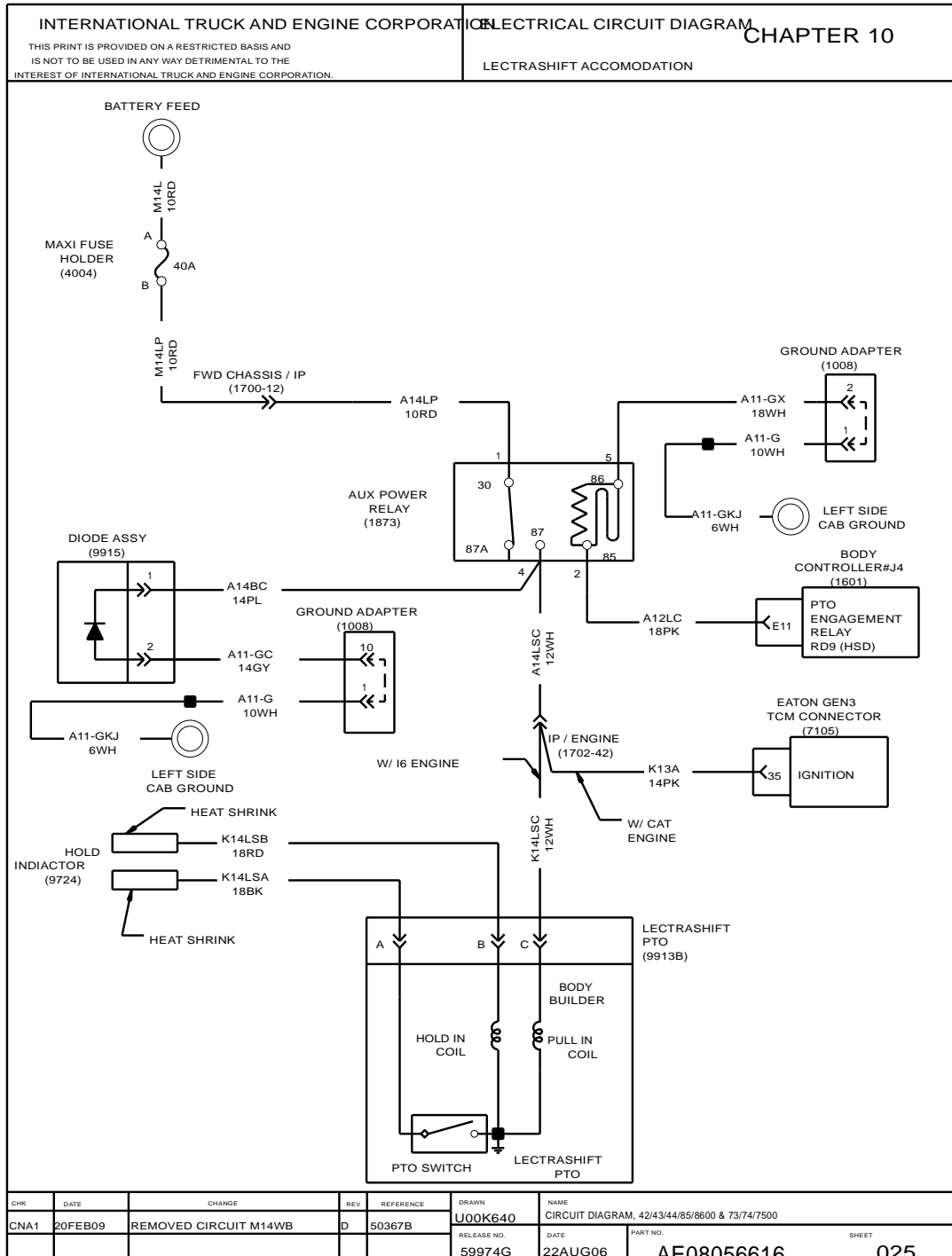


Figure 194 Lectrashift Accommodation

10.32. HOUR METER – PTO, P. 26

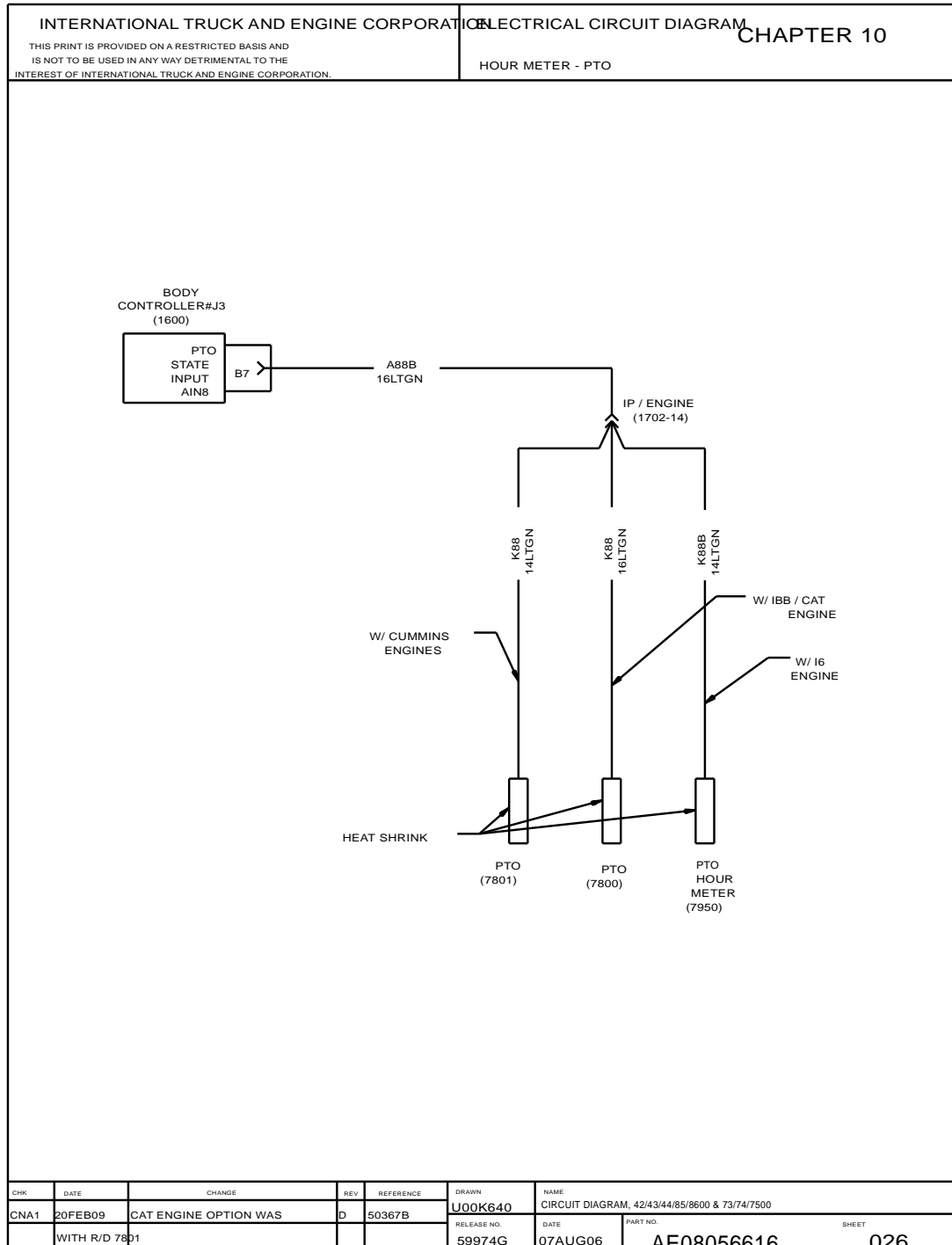


Figure 195 Hour Meter – PTO

10.33. AUX INPUTS AND DRIVERS, P. 27

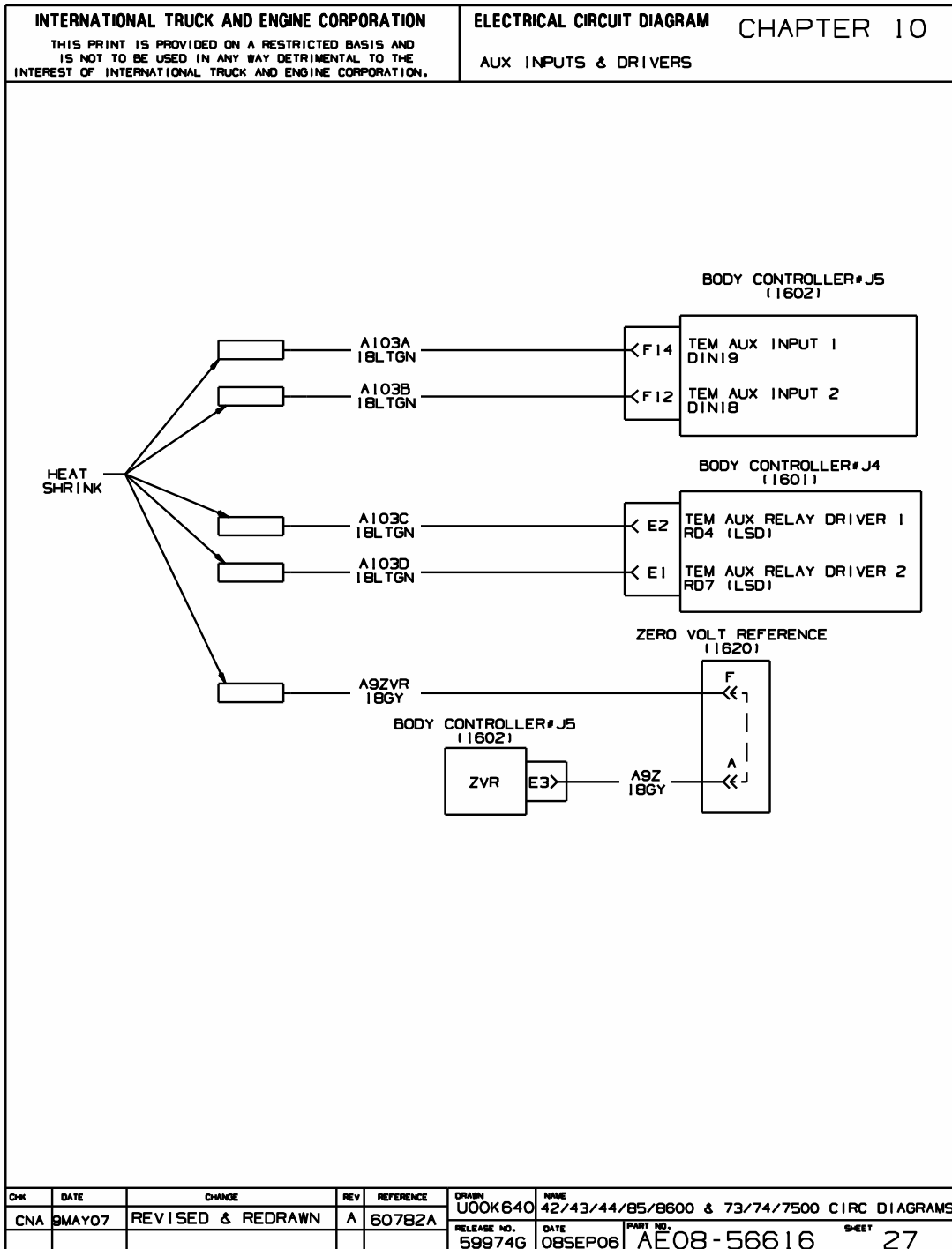


Figure 196 Aux Inputs and Drivers



10.34. FUEL TRANSFER PUMP, P. 28

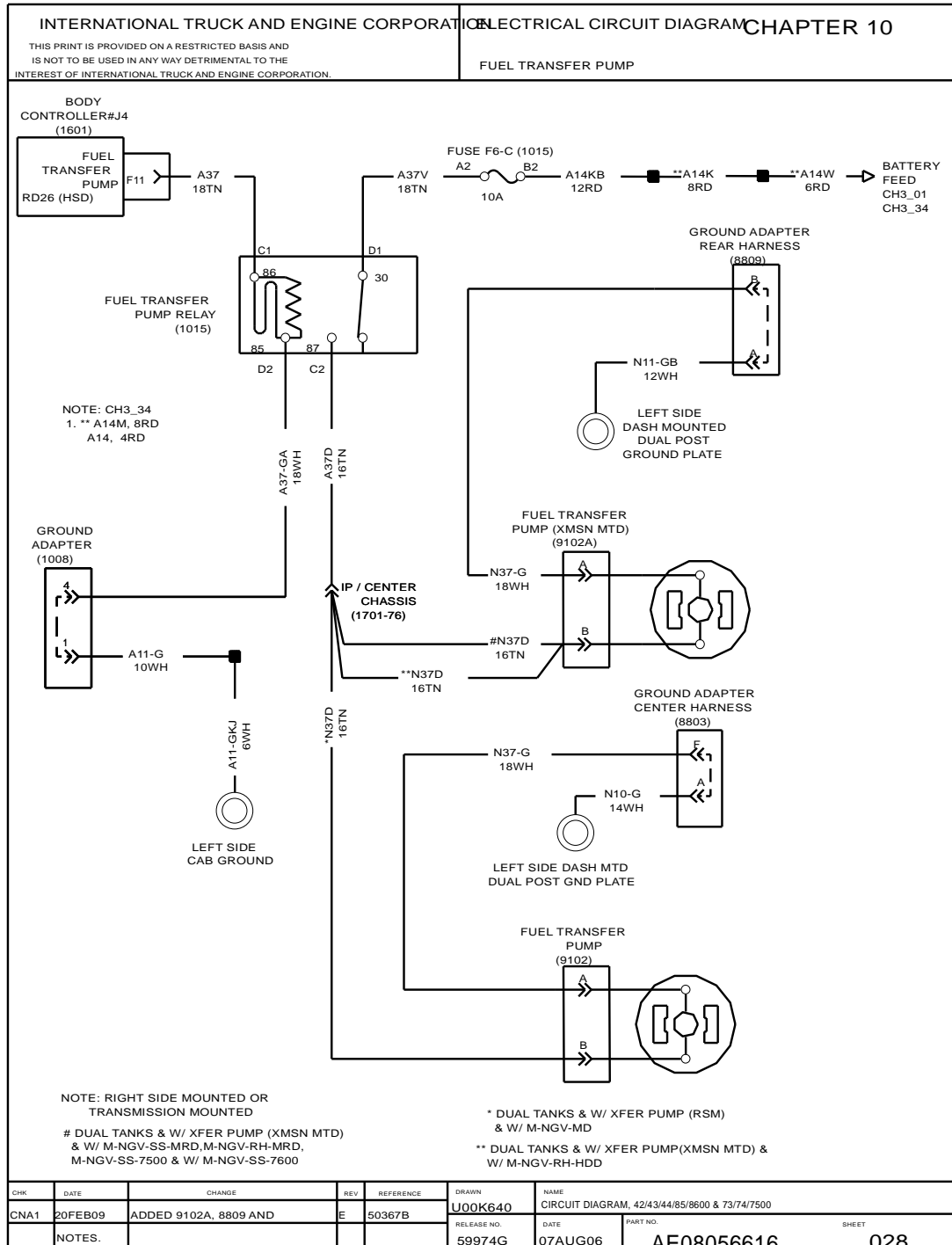


Figure 197 Fuel Transfer Pump

10.35. BLANK PAGE, P. 29

INTERNATIONAL TRUCK AND ENGINE CORPORATION				ELECTRICAL CIRCUIT DIAGRAM CHAPTER 10			
THIS PRINT IS PROVIDED ON A RESTRICTED BASIS AND IS NOT TO BE USED IN ANY WAY DETRIMENTAL TO THE INTEREST OF INTERNATIONAL TRUCK AND ENGINE CORPORATION.							
INTENTIONALLY LEFT BLANK							
CHK	DATE	CHANGE	REV	REFERENCE	DRAWN U00K640	NAME 42/43/44/85/8600 & 73/74/7500 CIRC DIAGRAMS	
					RELEASE NO. 59974G	DATE 07AUG06	PART NO. AF08-56616
						SHEET	29

Figure 198 Blank Page

10.36. BLANK PAGE, P. 30

INTERNATIONAL TRUCK AND ENGINE CORPORATION				ELECTRICAL CIRCUIT DIAGRAM CHAPTER 10			
THIS PRINT IS PROVIDED ON A RESTRICTED BASIS AND IS NOT TO BE USED IN ANY WAY DETRIMENTAL TO THE INTEREST OF INTERNATIONAL TRUCK AND ENGINE CORPORATION.							
<p>INTENTIONALLY LEFT BLANK</p>							
CHK	DATE	CHANGE	REV	REFERENCE	DRAWN	NAME	
CNA1	20FEB09	REMOVED GEOMETRY	B	50367B	U00K640	CIRCUIT DIAGRAM, 42/43/44/85/8600 & 73/74/7500	
					RELEASE NO.	DATE	PART NO.
					59974G	07AUG06	AE08056616
						SHEET	030

Figure 199 Blank Page

10.37. BLANK PAGE, P. 31

INTERNATIONAL TRUCK AND ENGINE CORPORATION				ELECTRICAL CIRCUIT DIAGRAM CHAPTER 10			
THIS PRINT IS PROVIDED ON A RESTRICTED BASIS AND IS NOT TO BE USED IN ANY WAY DETRIMENTAL TO THE INTEREST OF INTERNATIONAL TRUCK AND ENGINE CORPORATION.							
INTENTIONALLY LEFT BLANK							
CHK	DATE	CHANGE	REV	REFERENCE	DRAWN	NAME	
CNA1	20FEB09	REMOVED GEOMETRY	B	50367B	U00K640	CIRCUIT DIAGRAM, 42/43/44/85/8600 & 73/74/7500	
					RELEASE NO.	DATE	PART NO.
					59974G	20APR06	AE08056616
						SHEET	031

Figure 200 Blank Page

10.38. POWER SOURCE, CUSTOMER INSTALLED LIFT GATE, P. 32

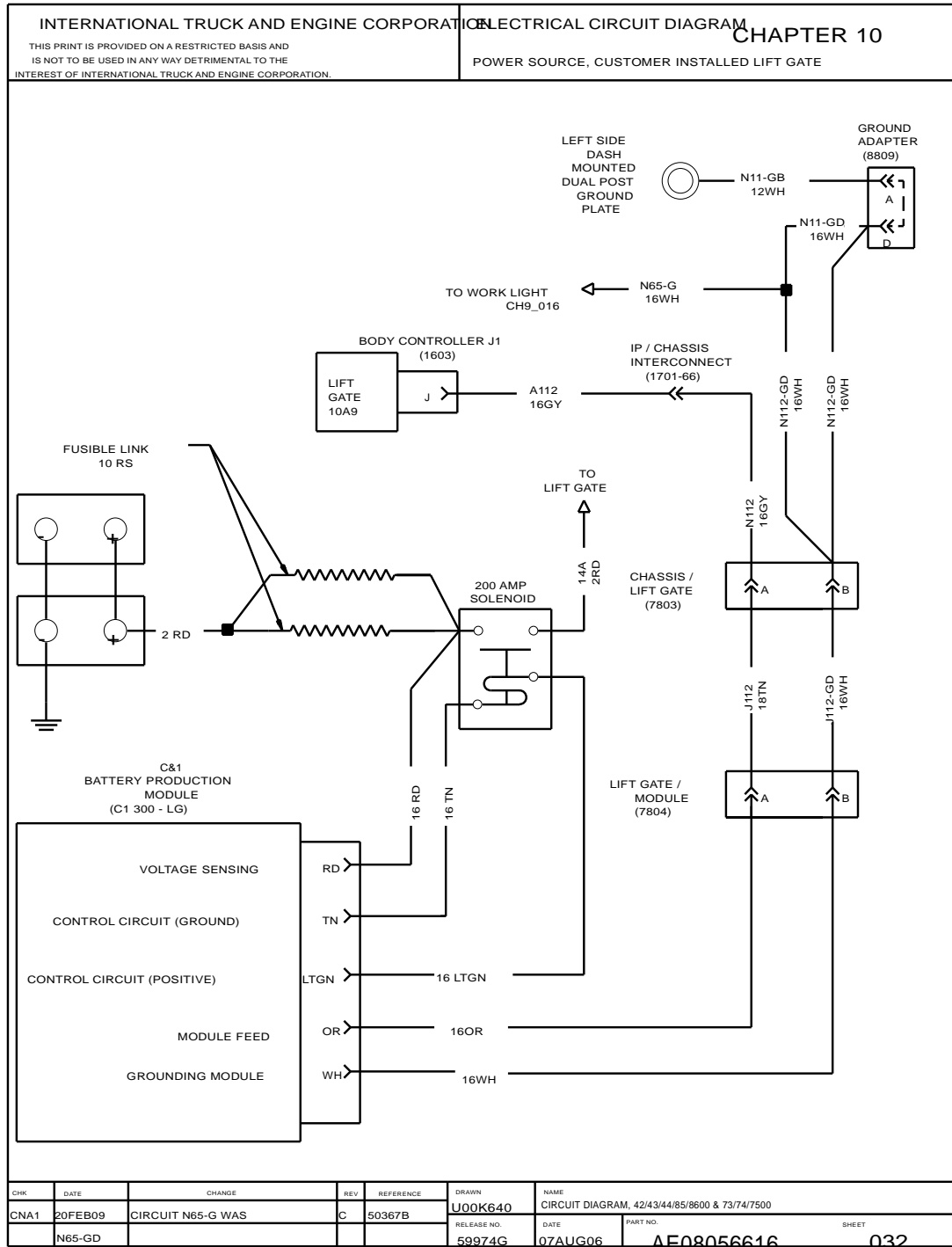


Figure 201 Power Source, Customer Installed Lift Gate

10.39. WHEELCHAIR LIFT INTERLOCK, P. 33

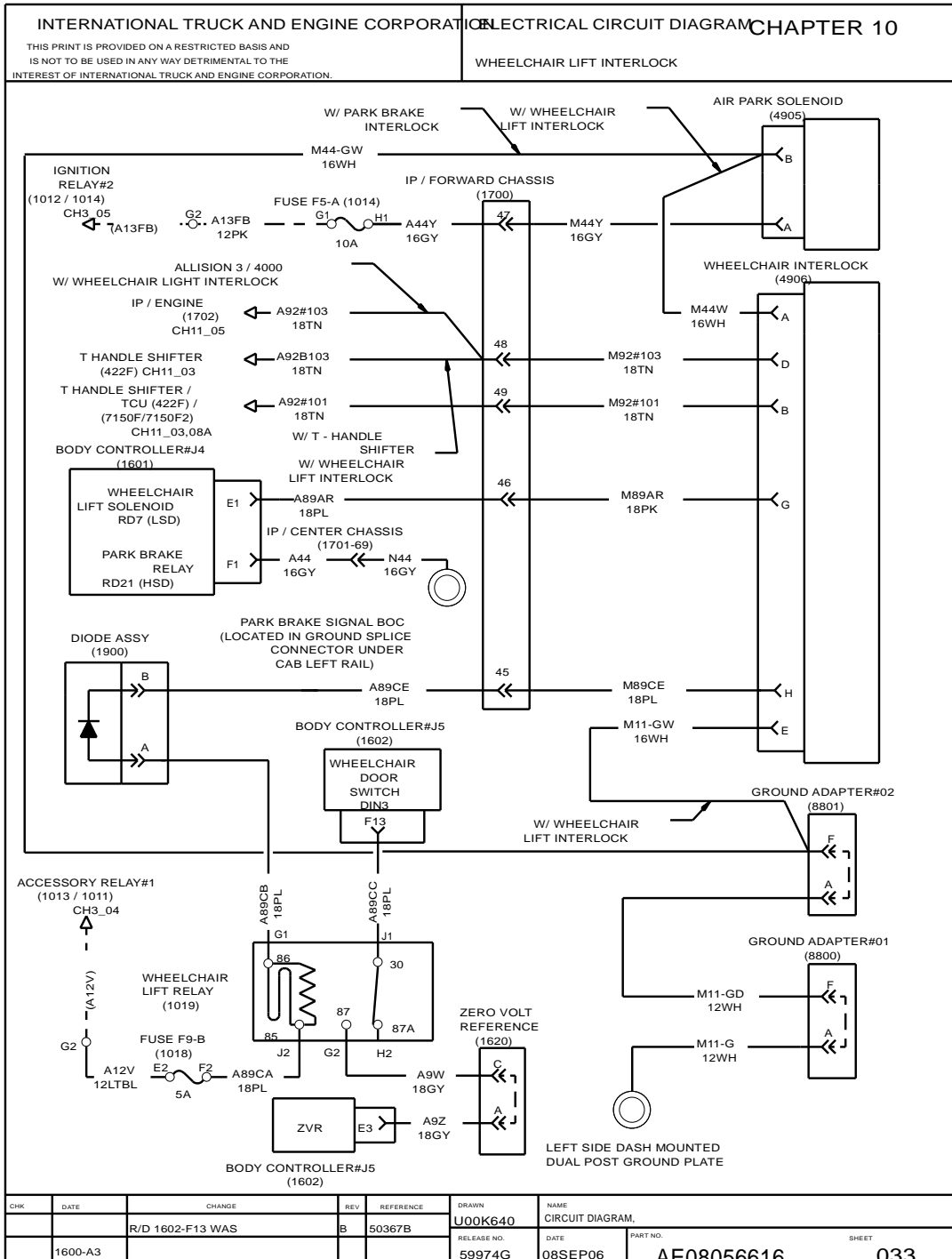


Figure 202 Wheelchair Lift Interlock

10.40. LIFT AXLE WITH CONTROLS FOR ONE LIFT AXLE, P. 34

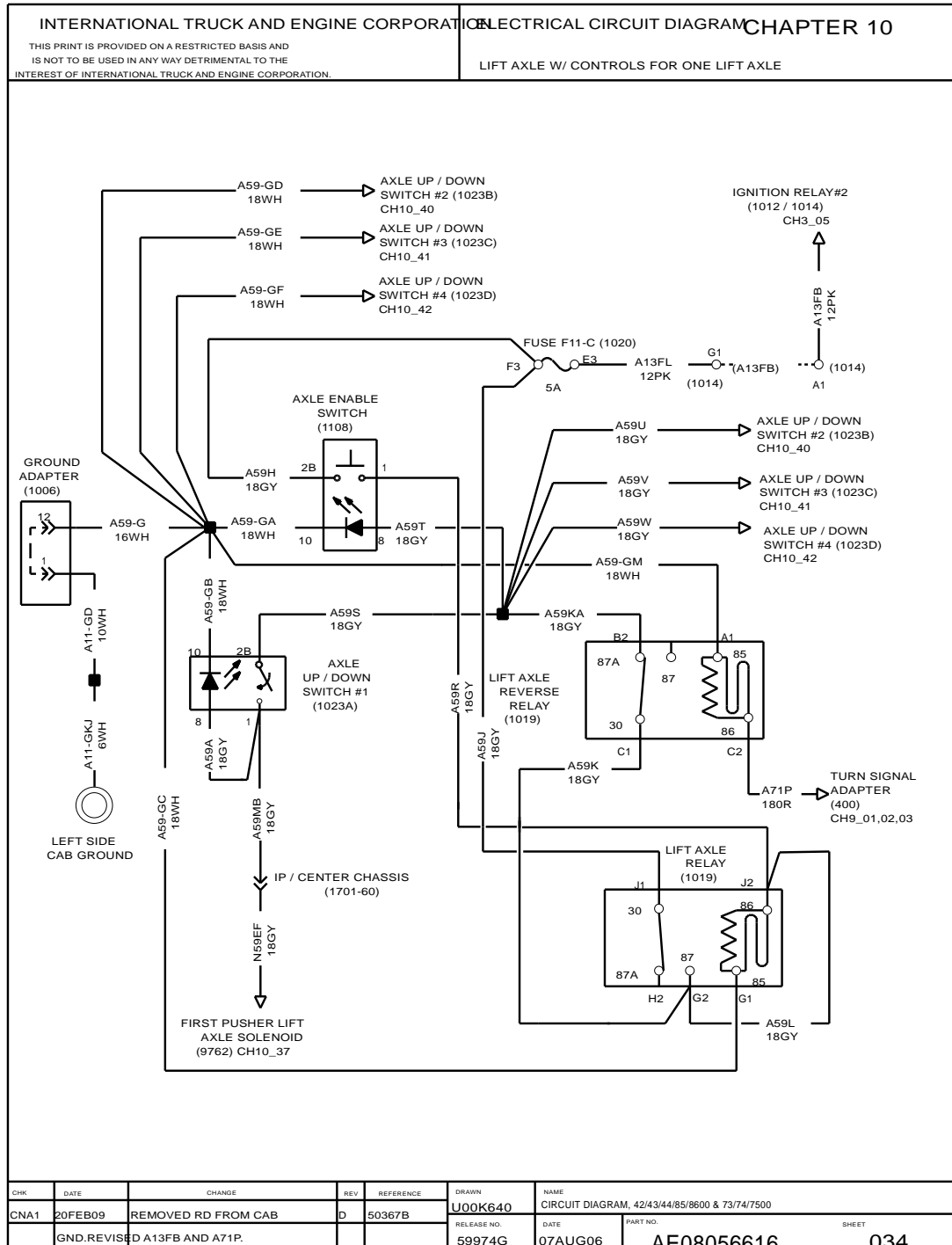


Figure 203 Lift Axle with Controls for One Lift Axle

10.41. LIFT AXLE (NON-STEERABLE), P. 35

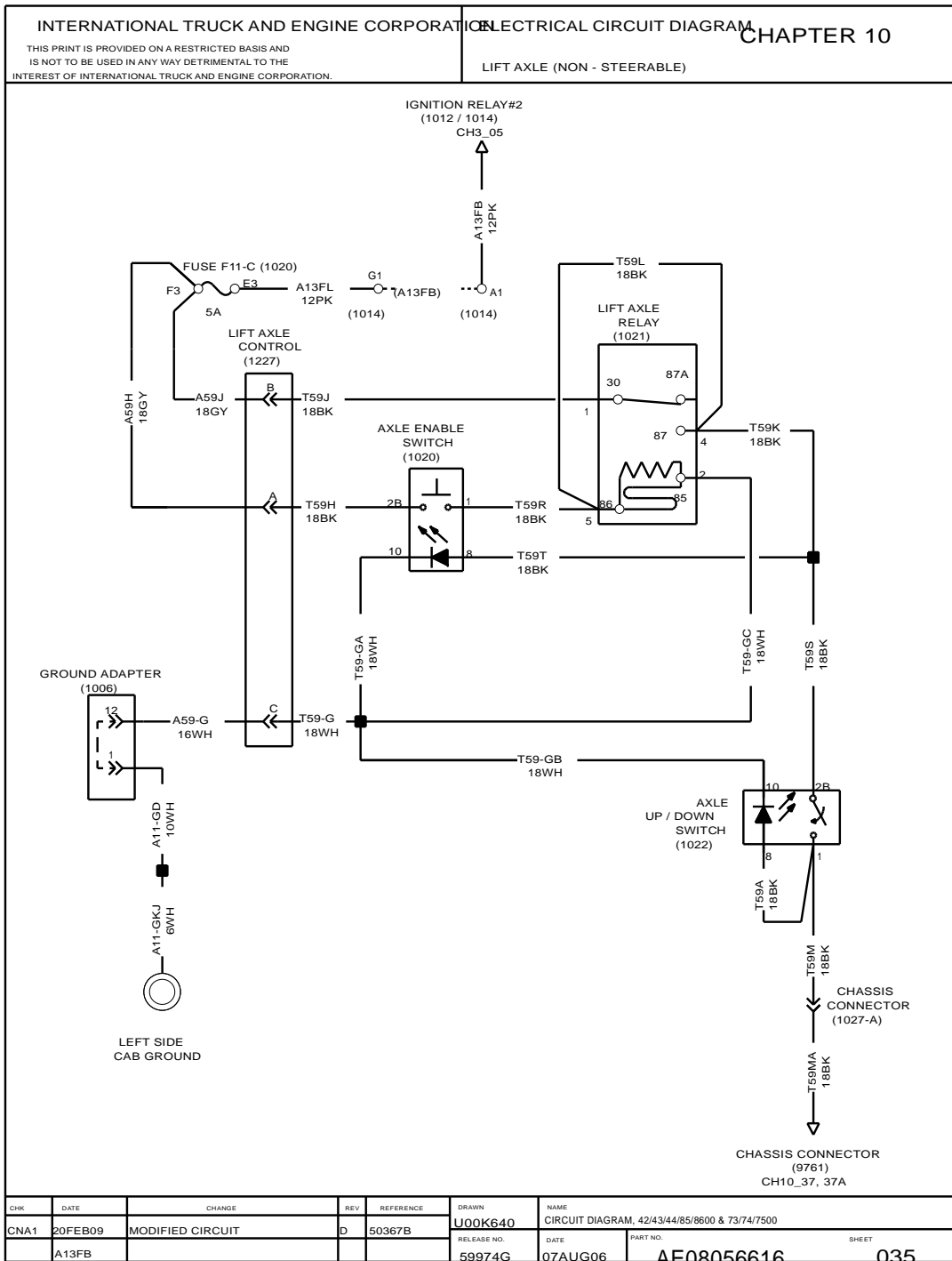


Figure 204 Lift Axle (Non-Steerable)





10.43. LIFT AXLES, P. 37

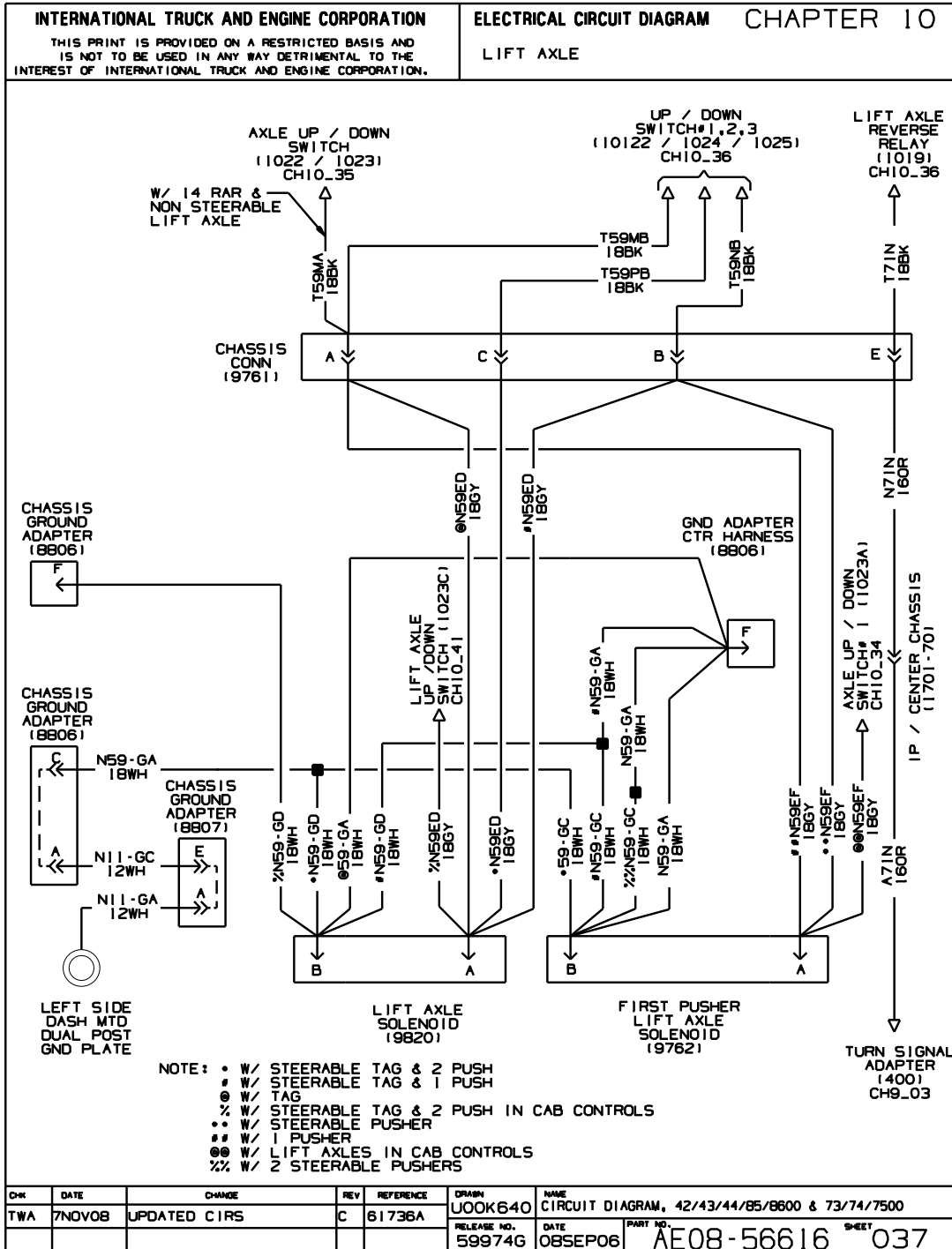


Figure 206 Lift Axles

10.44. LIFT AXLES (CONT.), P. 37A

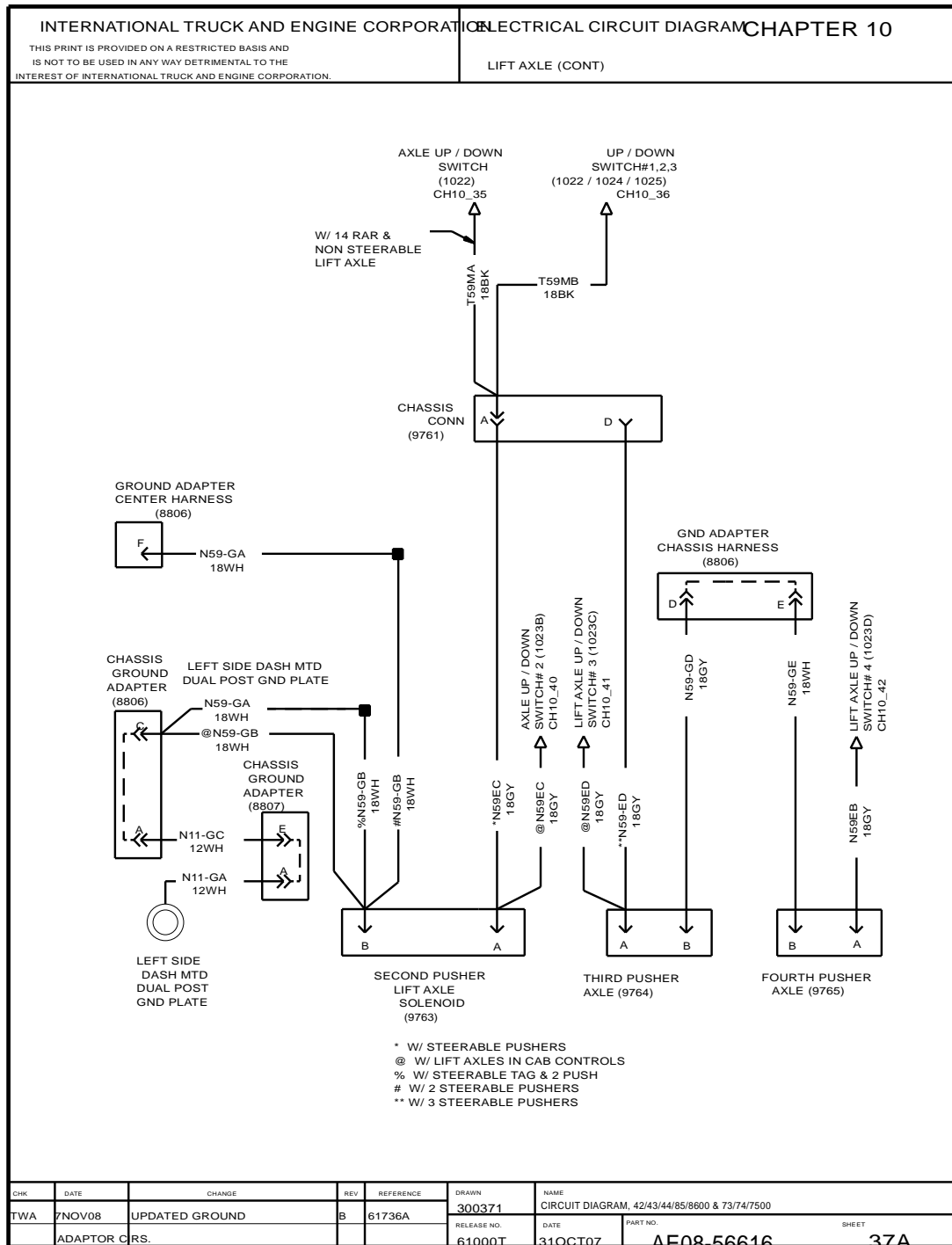


Figure 207 Lift Axles (Cont.)

10.45. ABS – BENDIX AIR 6S / 6M, P. 38

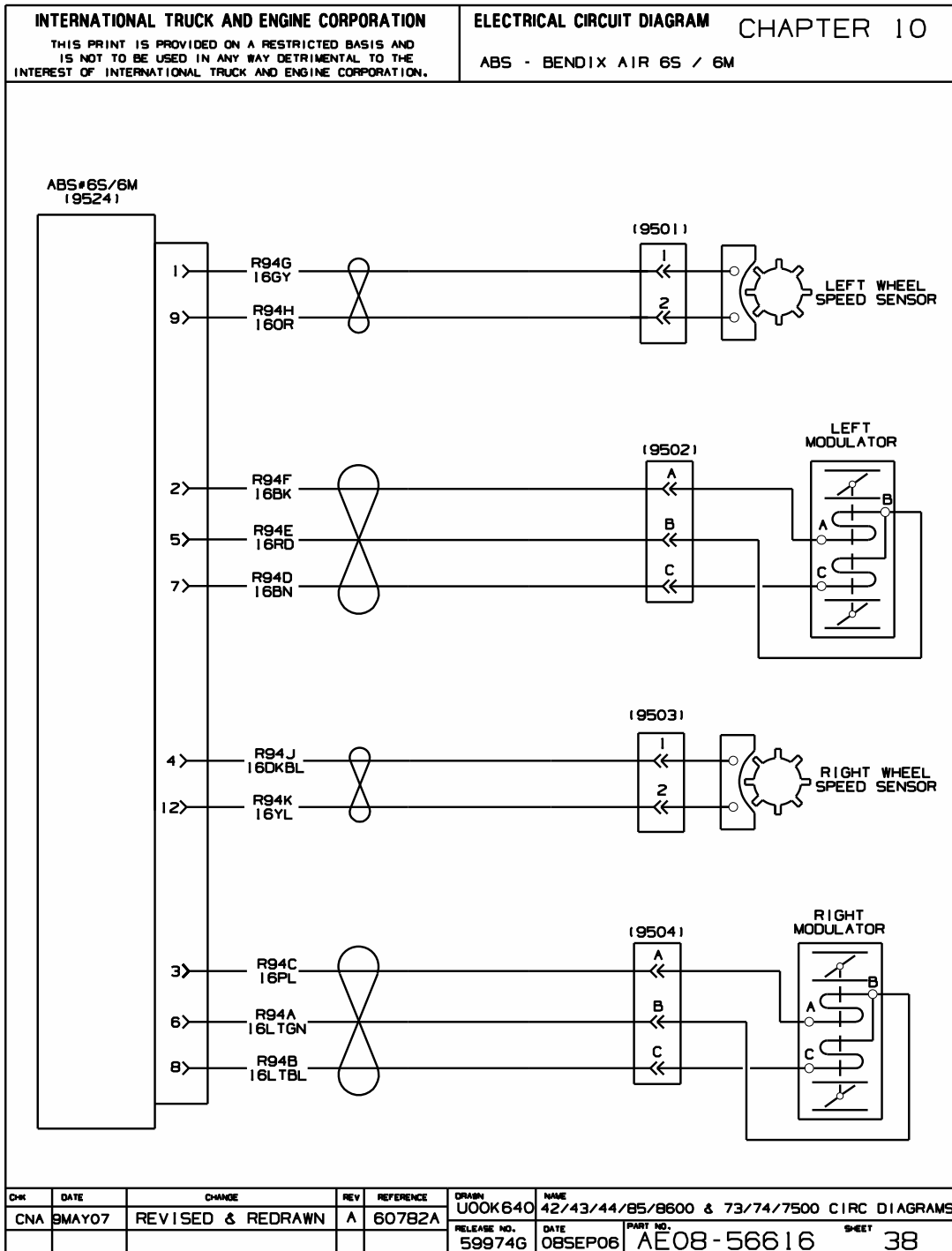
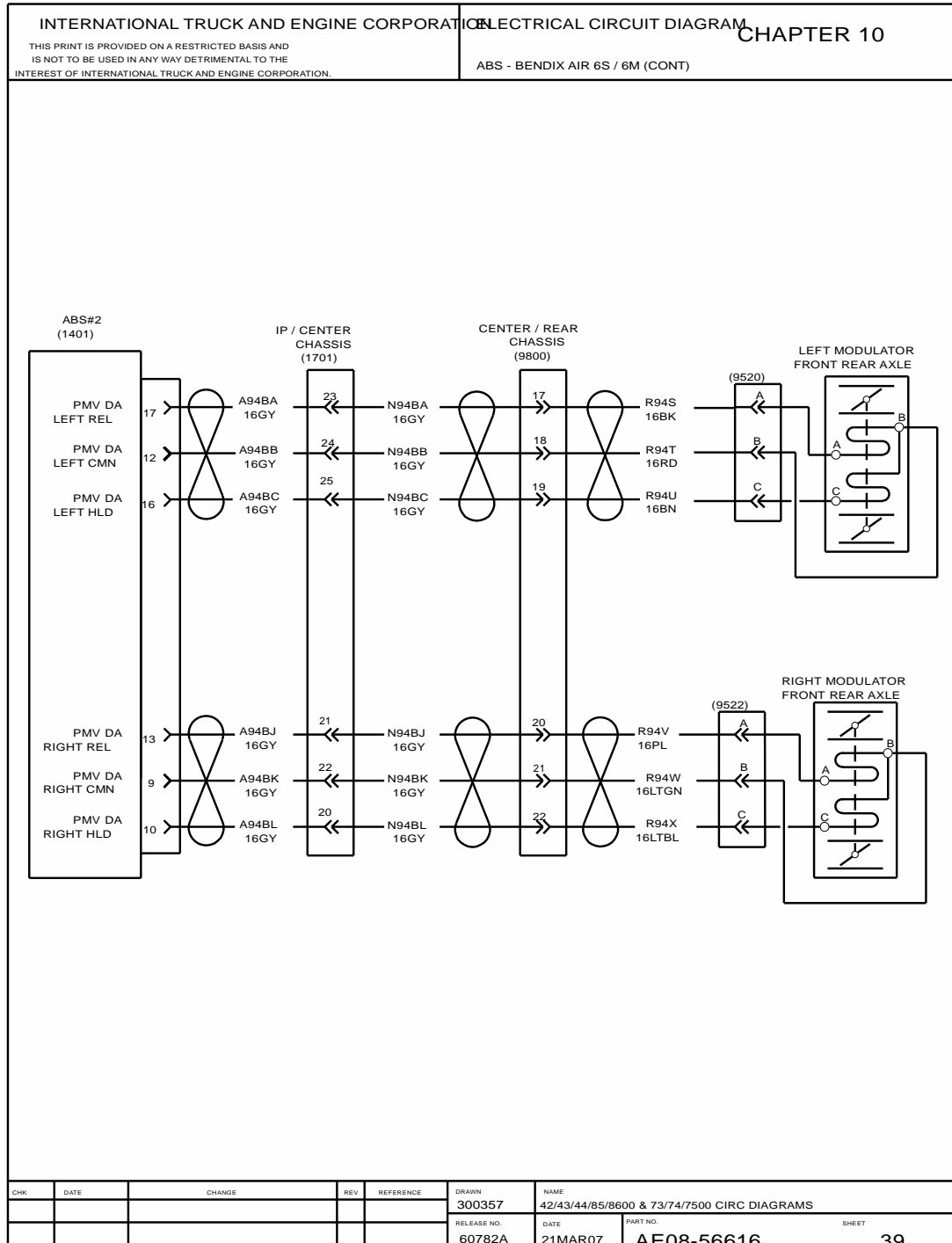


Figure 208 ABS – Bendix Air 6S / 6M

10.46. ABS – BENDIX AIR 6S / 6M (CONT.), P. 39



10.47. LIFT AXLE WITH CONTROLS FOR TWO LIFT AXLES, P. 40

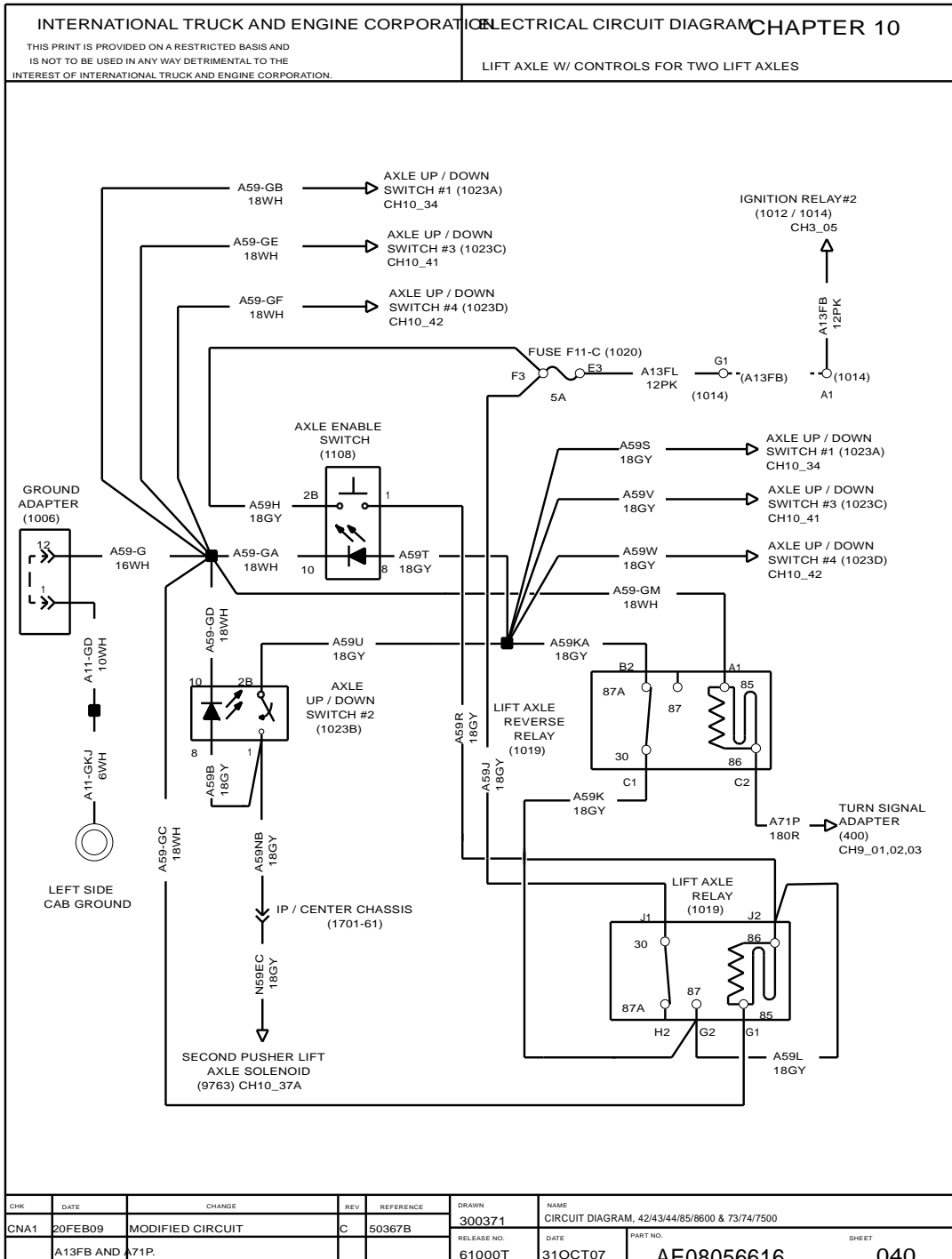


Figure 210 Lift Axle with Controls for Two Lift Axles

10.48. LIFT AXLE WITH CONTROLS FOR THREE LIFT AXLES, P. 41

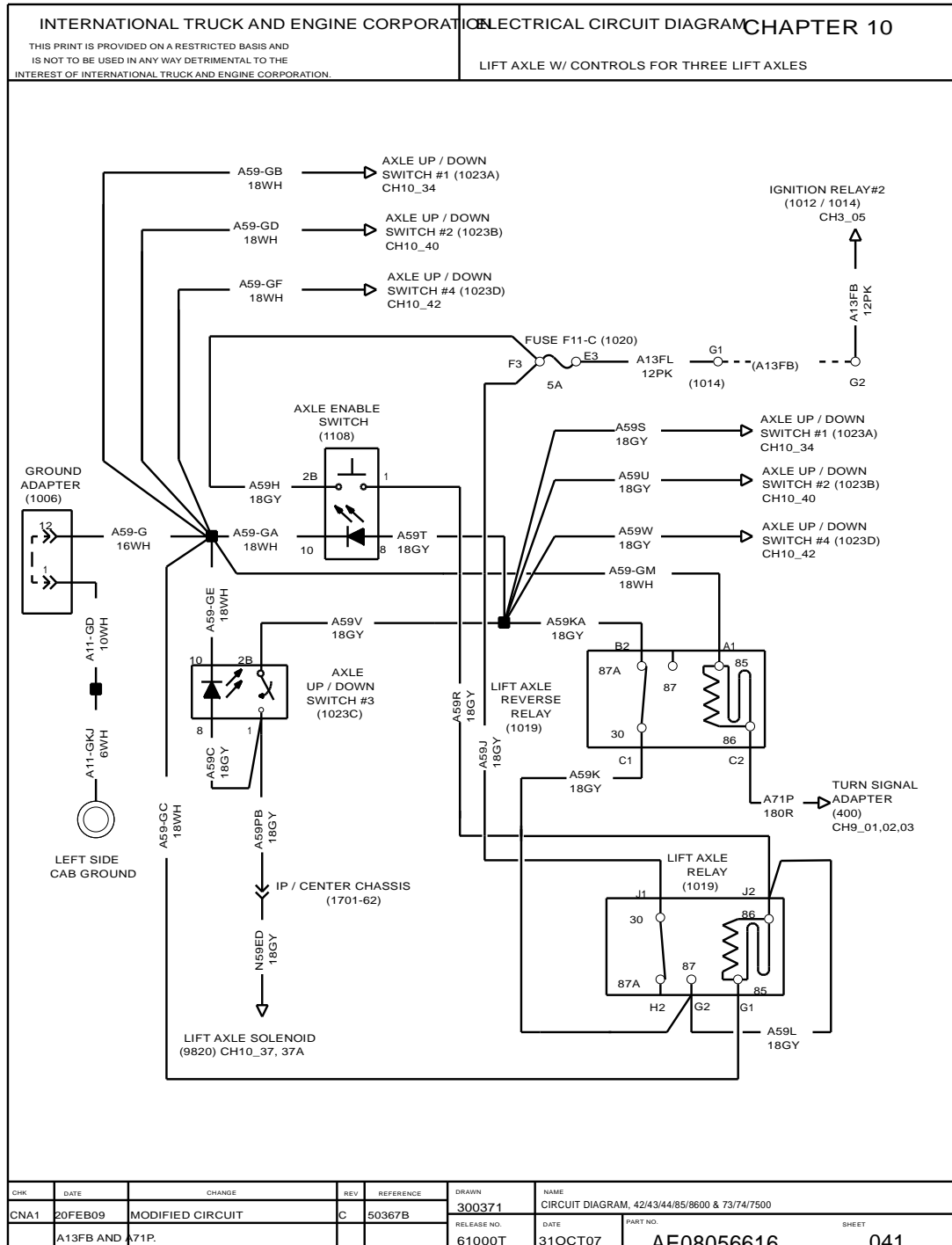


Figure 211 Lift Axle with Controls for Three Lift Axles

10.49. LIFT AXLE WITH CONTROLS FOR FOUR LIFT AXLES, P. 42

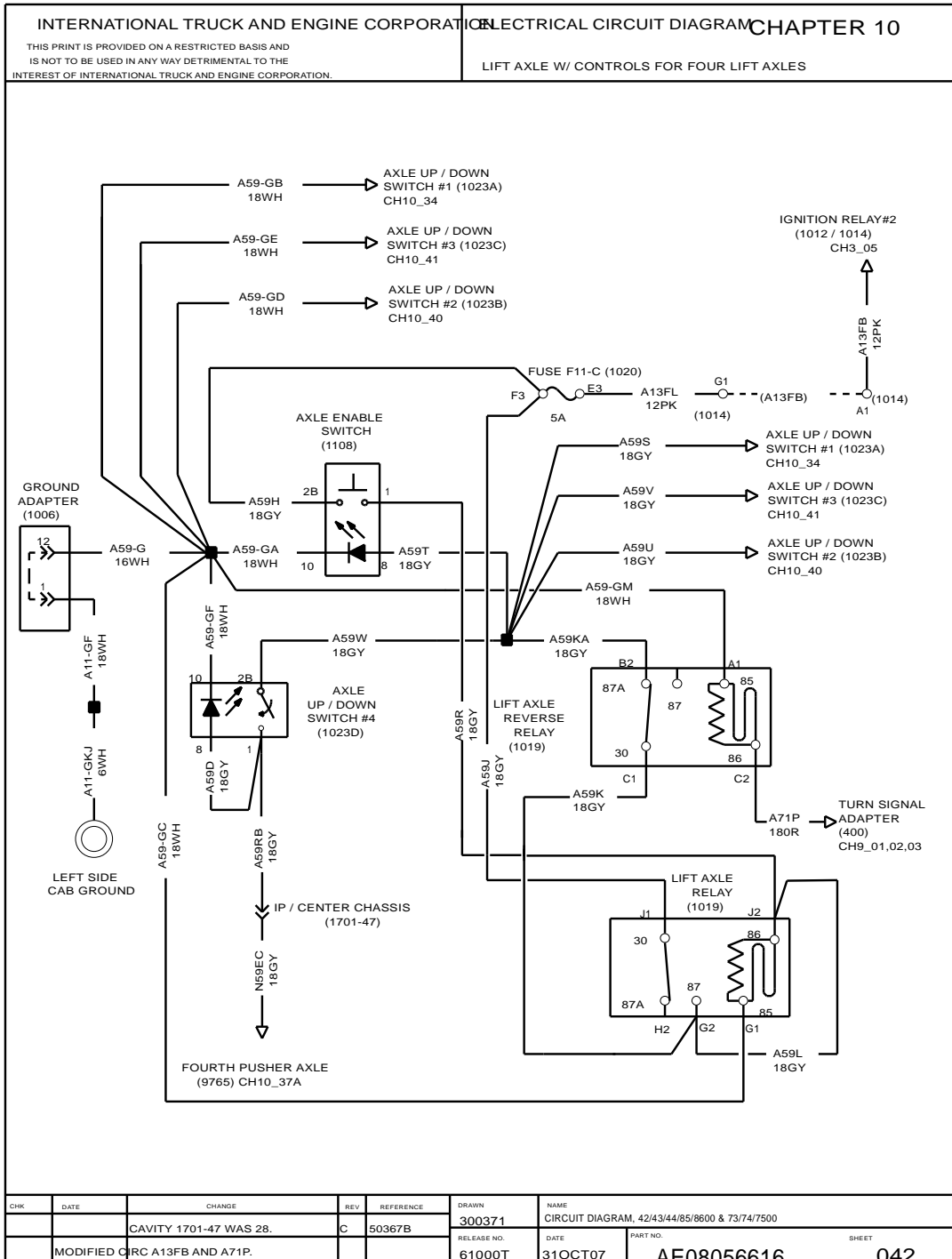


Figure 212 Lift Axle with Controls for Four Lift Axles



10.50. ABS ROLL OVER STABILITY, P. 43

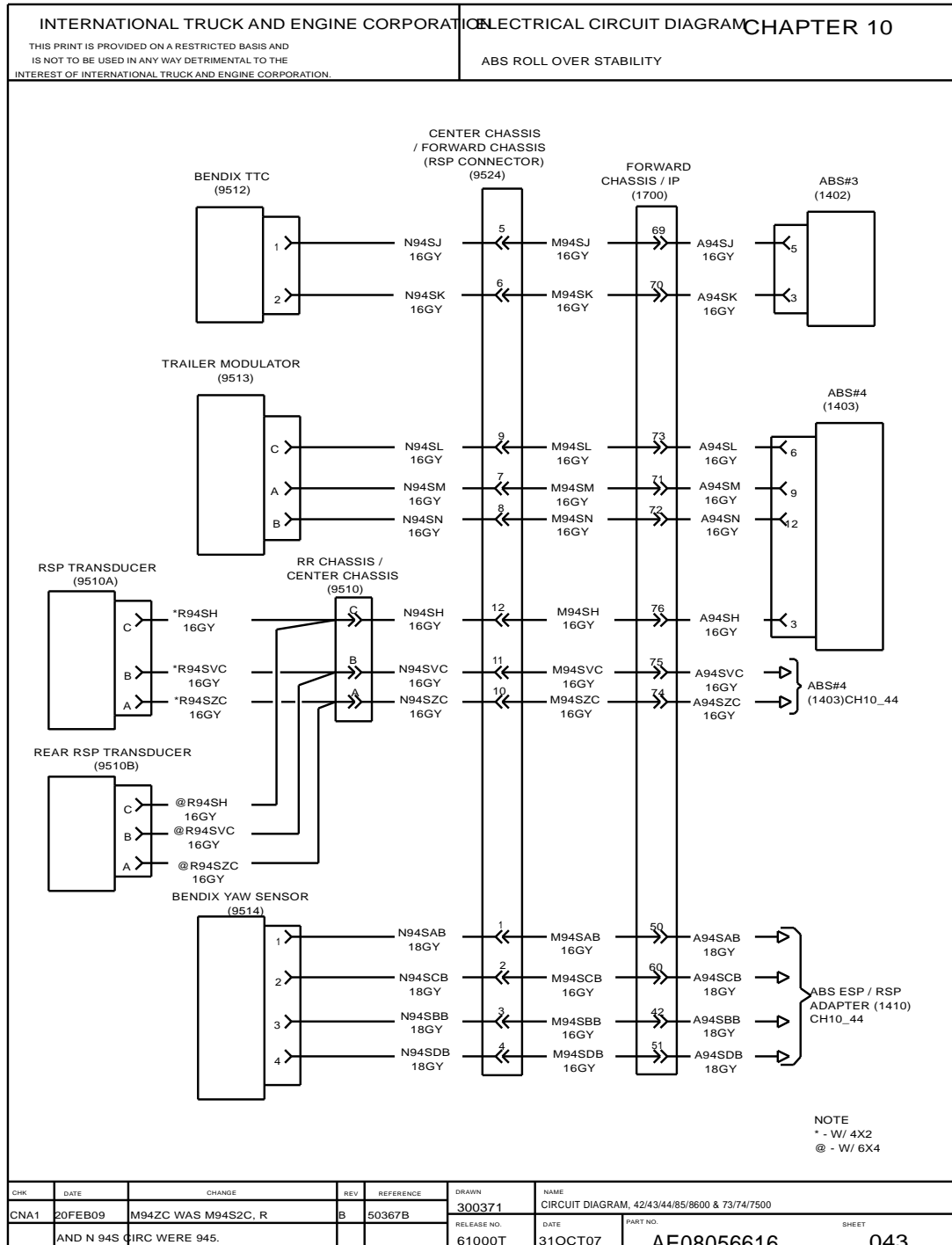


Figure 213 ABS Roll Over Stability

10.51. ABS ROLL OVER STABILITY (CONT.), P. 44

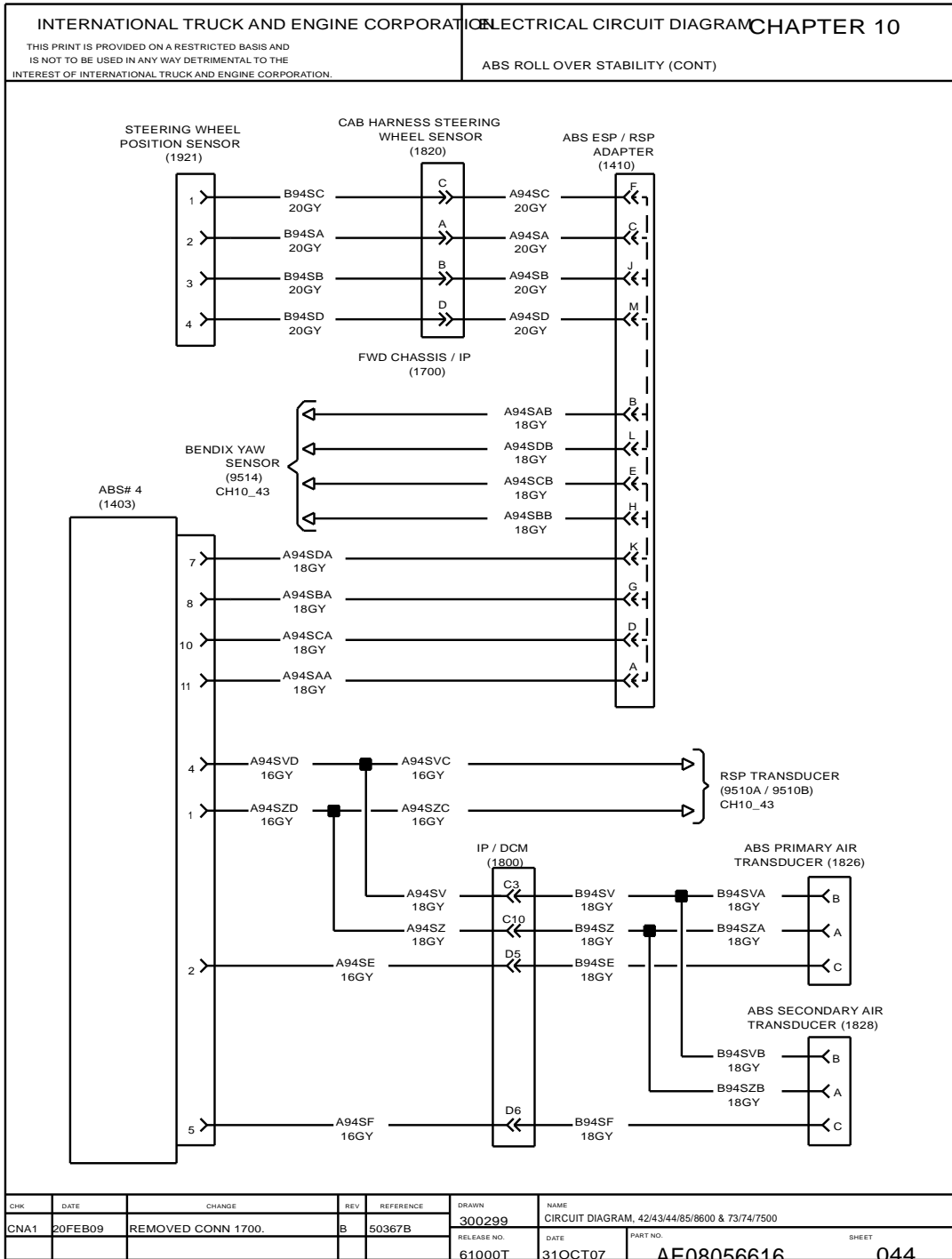


Figure 214 ABS Roll Over Stability (Cont.)

# TRANSMISSIONS (CHAPTER 11)

## 11.1. ALLISON GEN 4 1 / 2000 TRANSMISSION WITH I6 AND WITH V8 ENGINE, P. 1

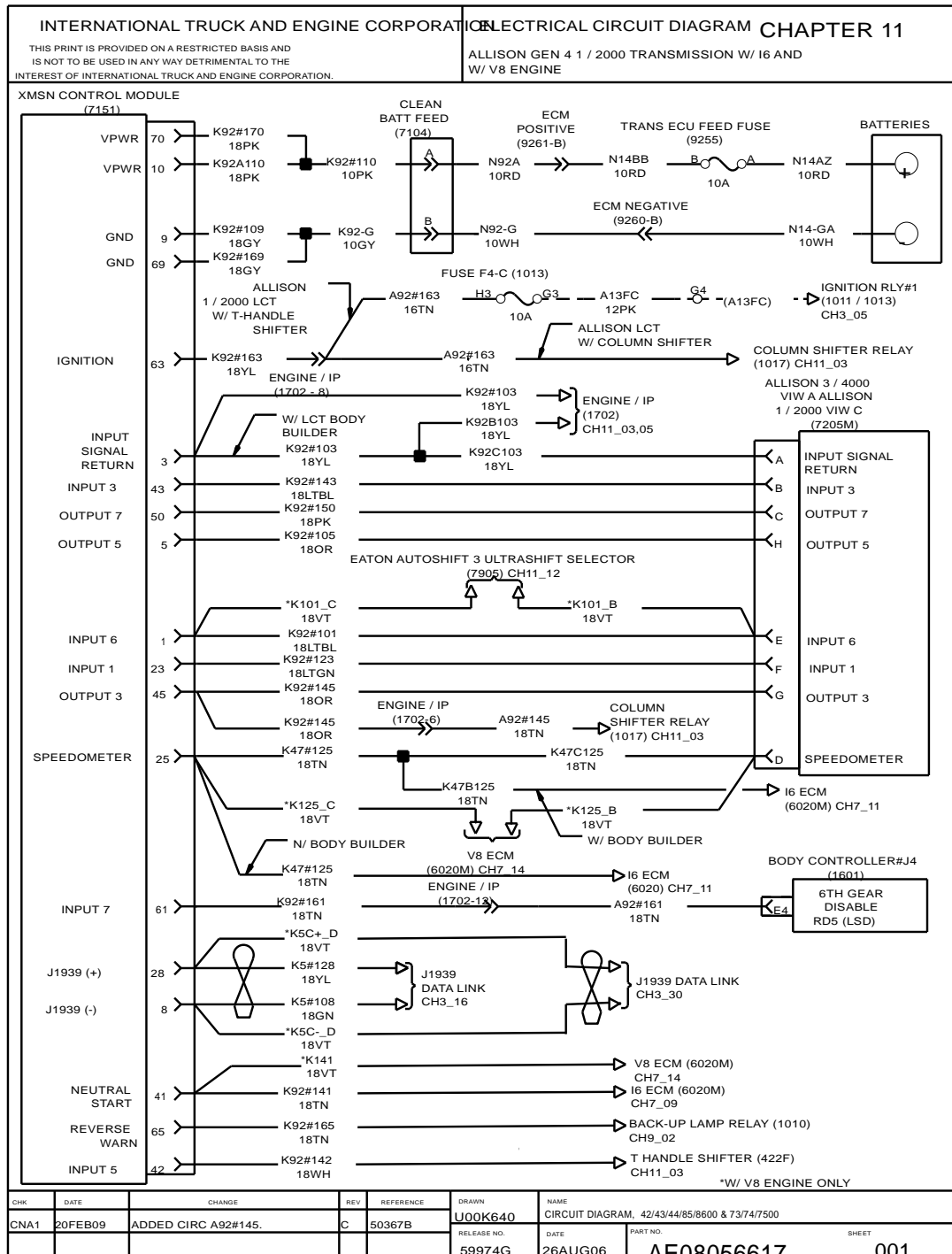


Figure 215 Allison GEN 4 1 / 2000 Transmission with I6 and with V8 Engine

11.2. ALLISON GEN 4 1 / 2000 TRANSMISSION WITH I6 AND WITH V8 ENGINE, P. 2

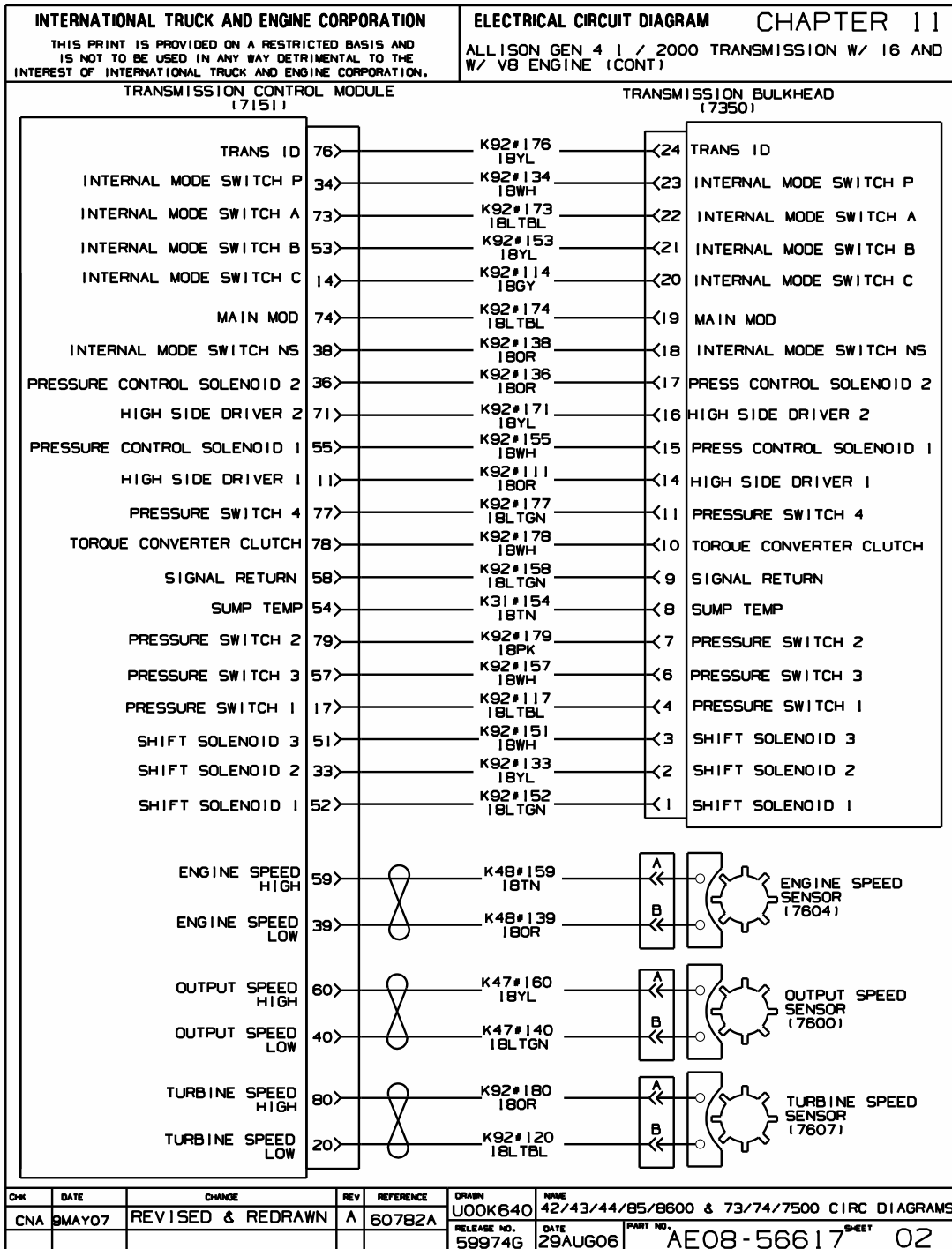


Figure 216 Allison GEN 4 1 / 2000 Transmission with I6 and with V8 Engine (Cont.)

11.3. ALLISON GEN 4 1 / 2000 TRANSMISSION WITH I6, CAT, ISM ENGINE, P. 3

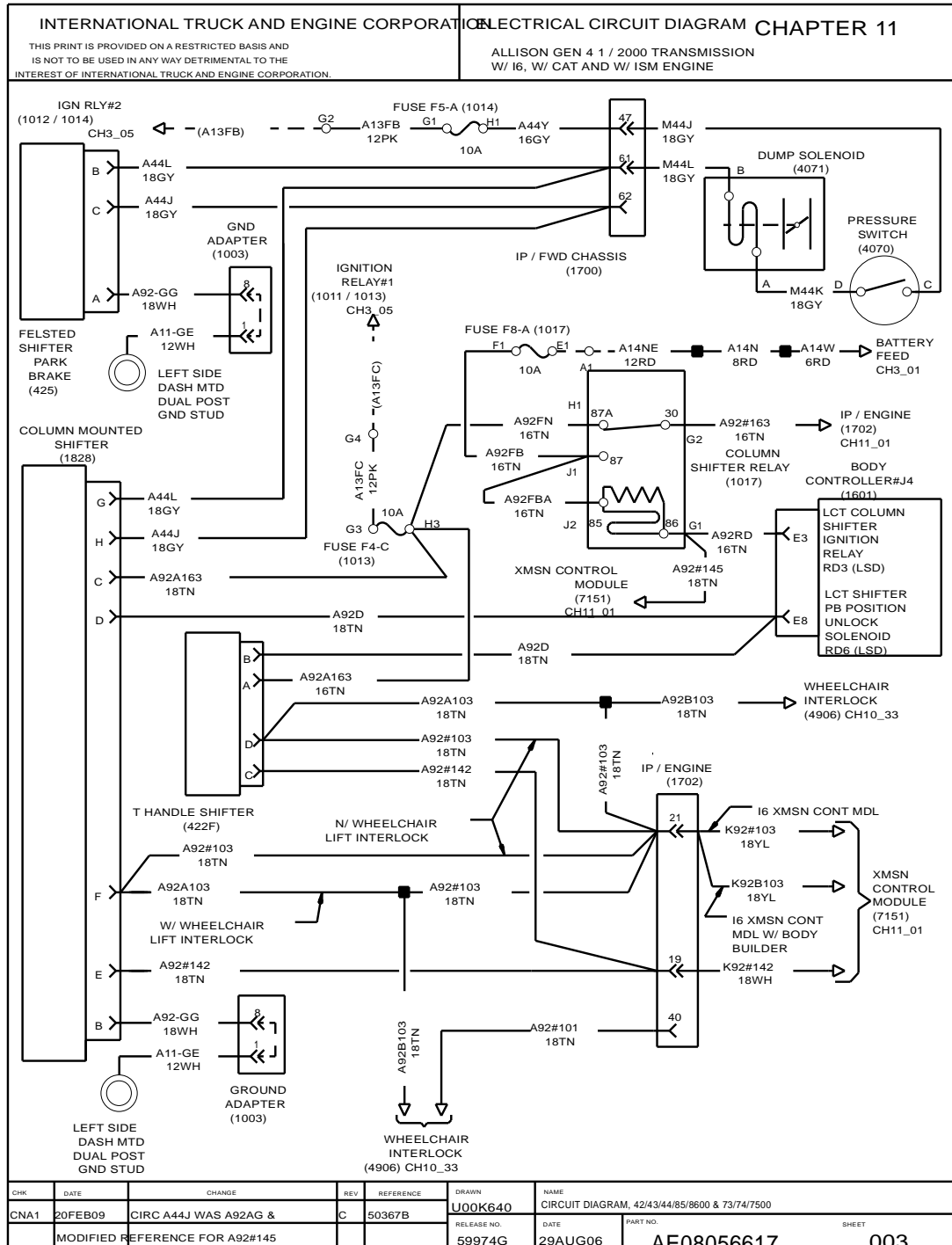


Figure 217 Allison GEN 4 1 / 2000 Transmission with I6, Cat, ISM Engines

11.4. TRANSMISSION, ALLISON MD WITH I6 AND WITH V8 ENGINE, P. 4

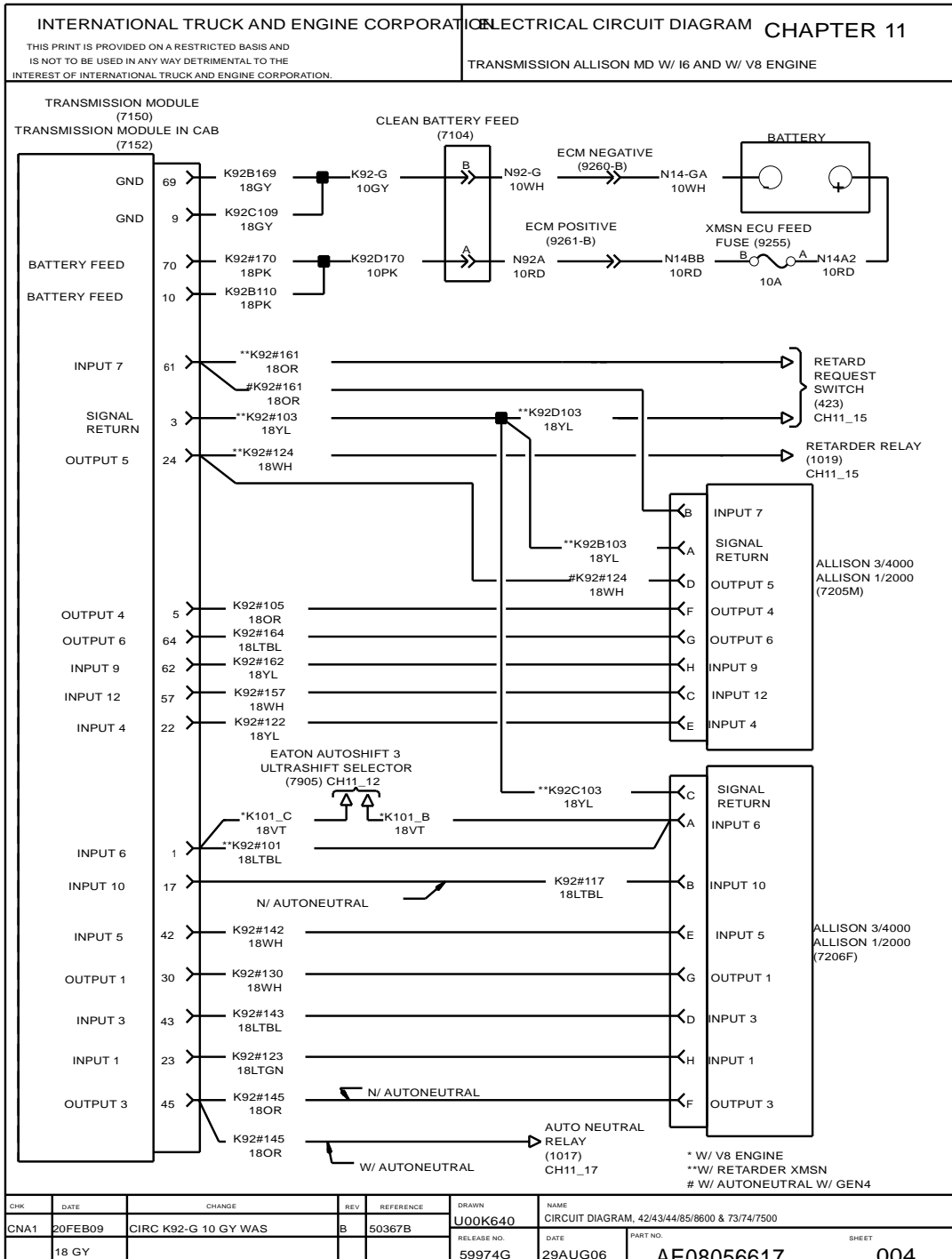


Figure 218 Transmission, Allison MD with I6 and with V8 Engine

11.5. TRANSMISSION, ALLISON MD 3 / 4000 WITH I6 AND WITH V8 ENGINE, P. 5

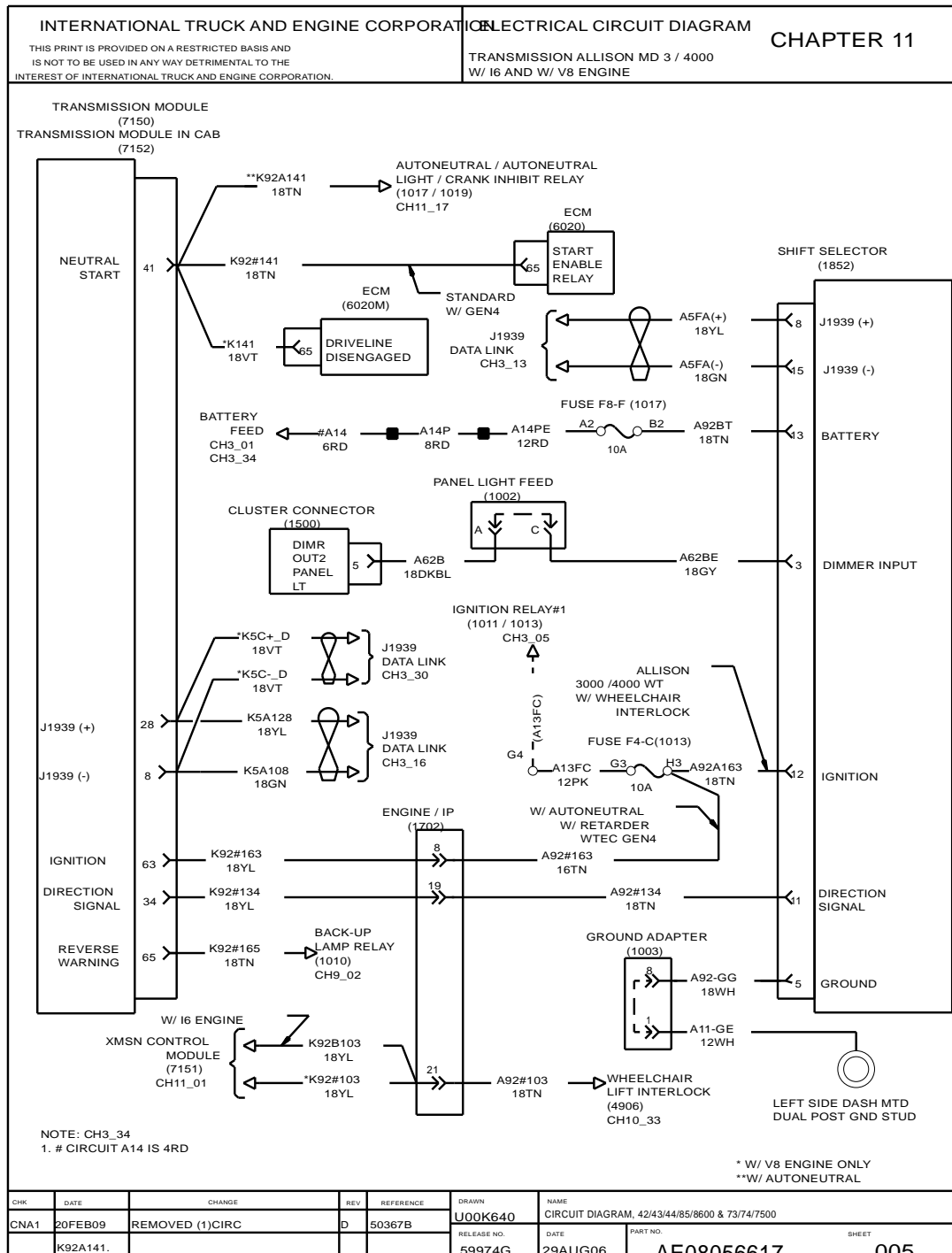


Figure 219 Transmission, Allison MD 3 / 4000 with I6 and with V8 Engine

11.6. TRANSMISSION, ALLISON MD / HD (WTEC) WITH I6 AND WITH V8 ENGINE, P. 6

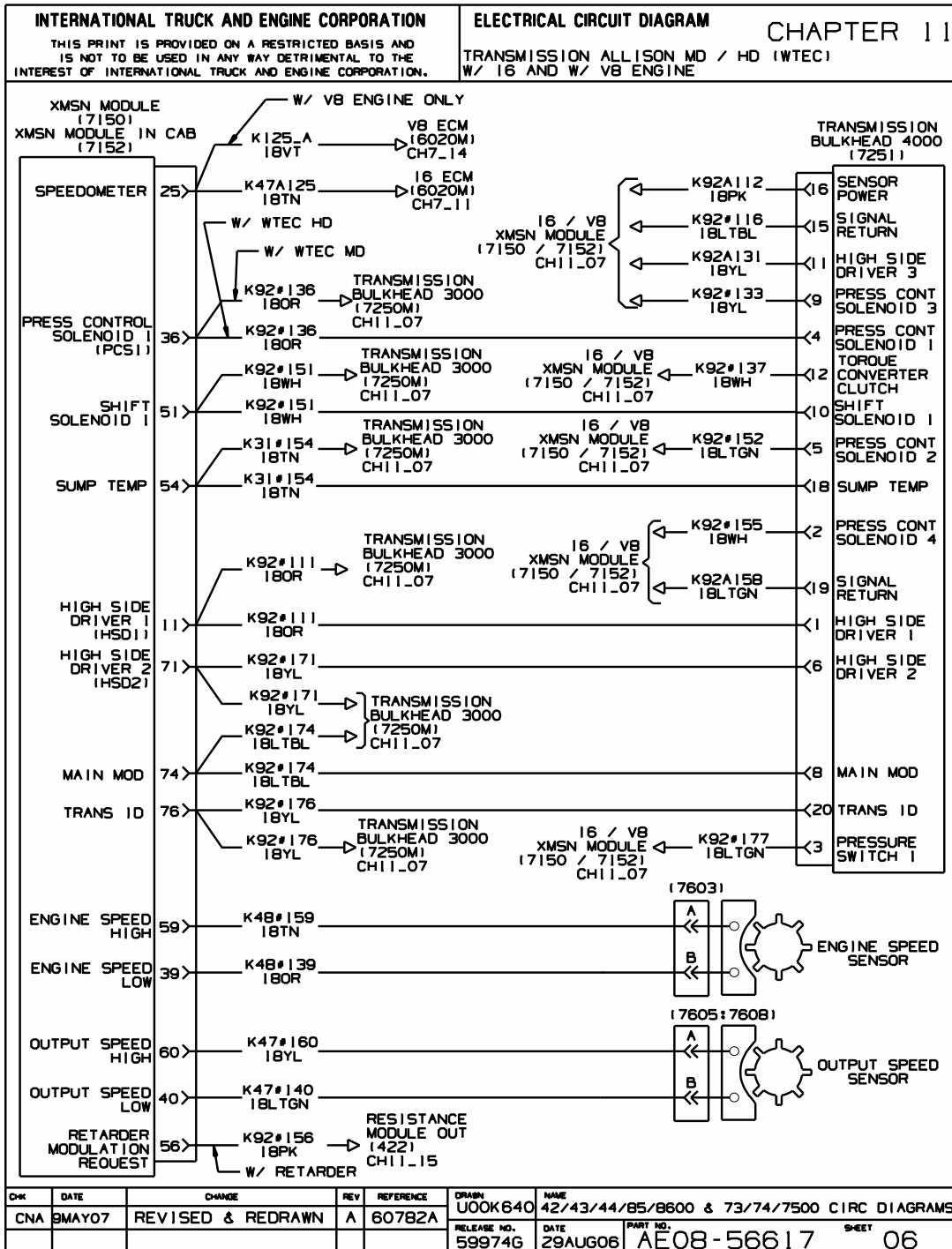


Figure 220 Transmission, Allison MD / HD (WTEC) with I6 and with V8 Engine



11.7. TRANSMISSION, ALLISON MD / HD (WTEC) WITH I6 AND WITH V8 ENGINE (CONT.), P. 7

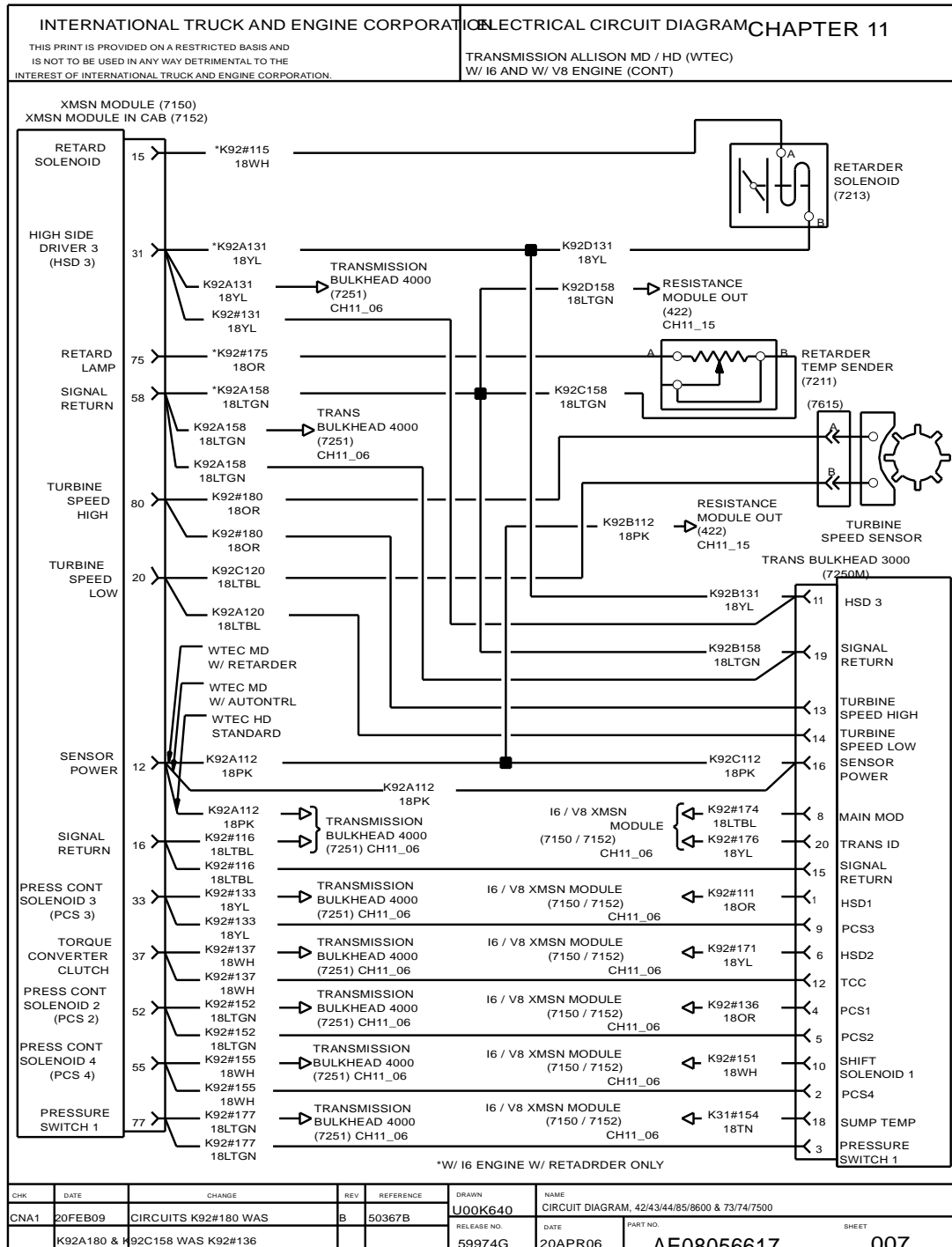


Figure 221 Transmission, Allison MD / HD (WTEC) with I6 and with V8 Engine (Cont.)

11.8. TRANSMISSION, ALLISON MD (WTEC), P. 8

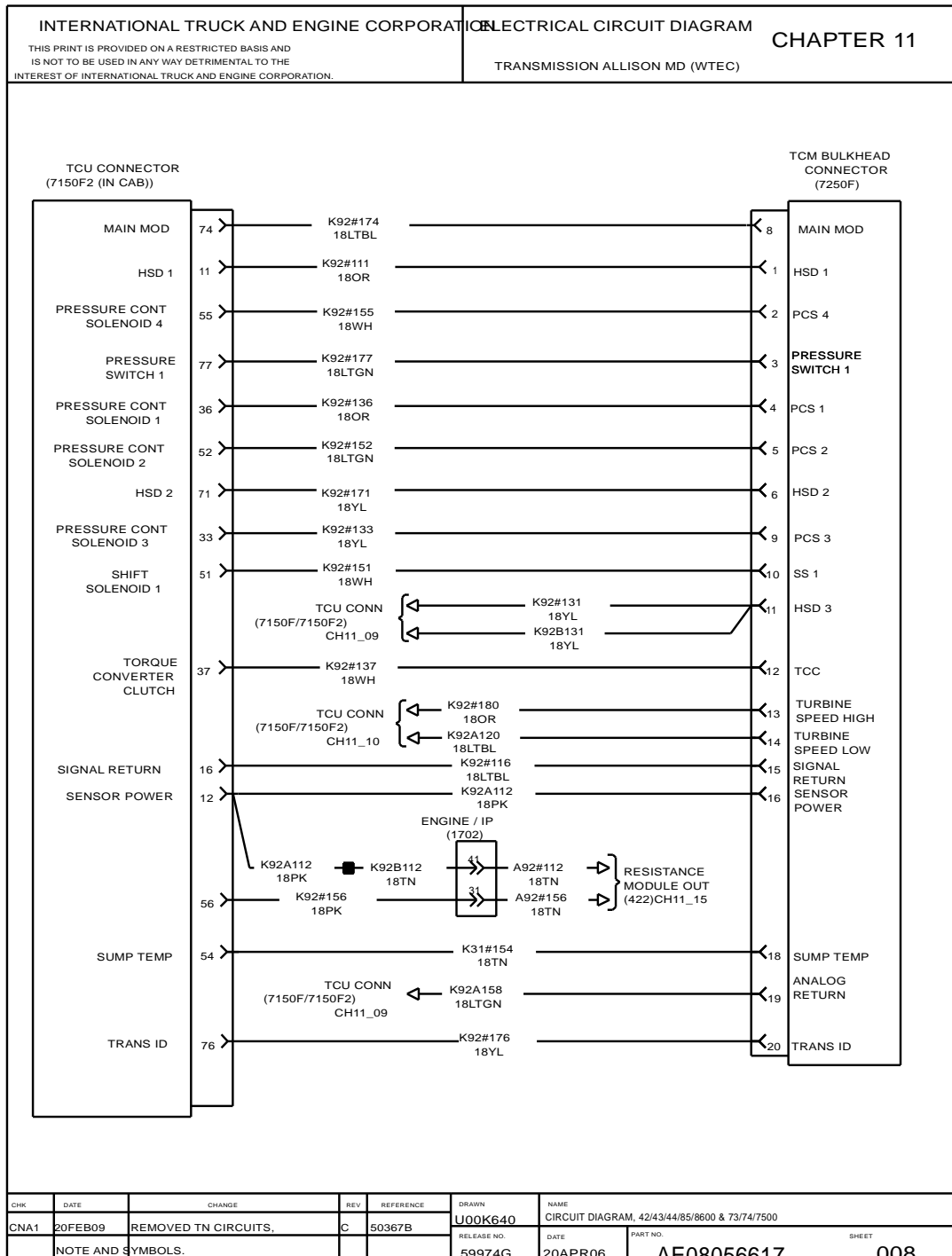


Figure 222 Transmission, Allison MD (WTEC)

11.9. TRANSMISSION, ALLISON MD (WTEC) (CONT.), P. 8A

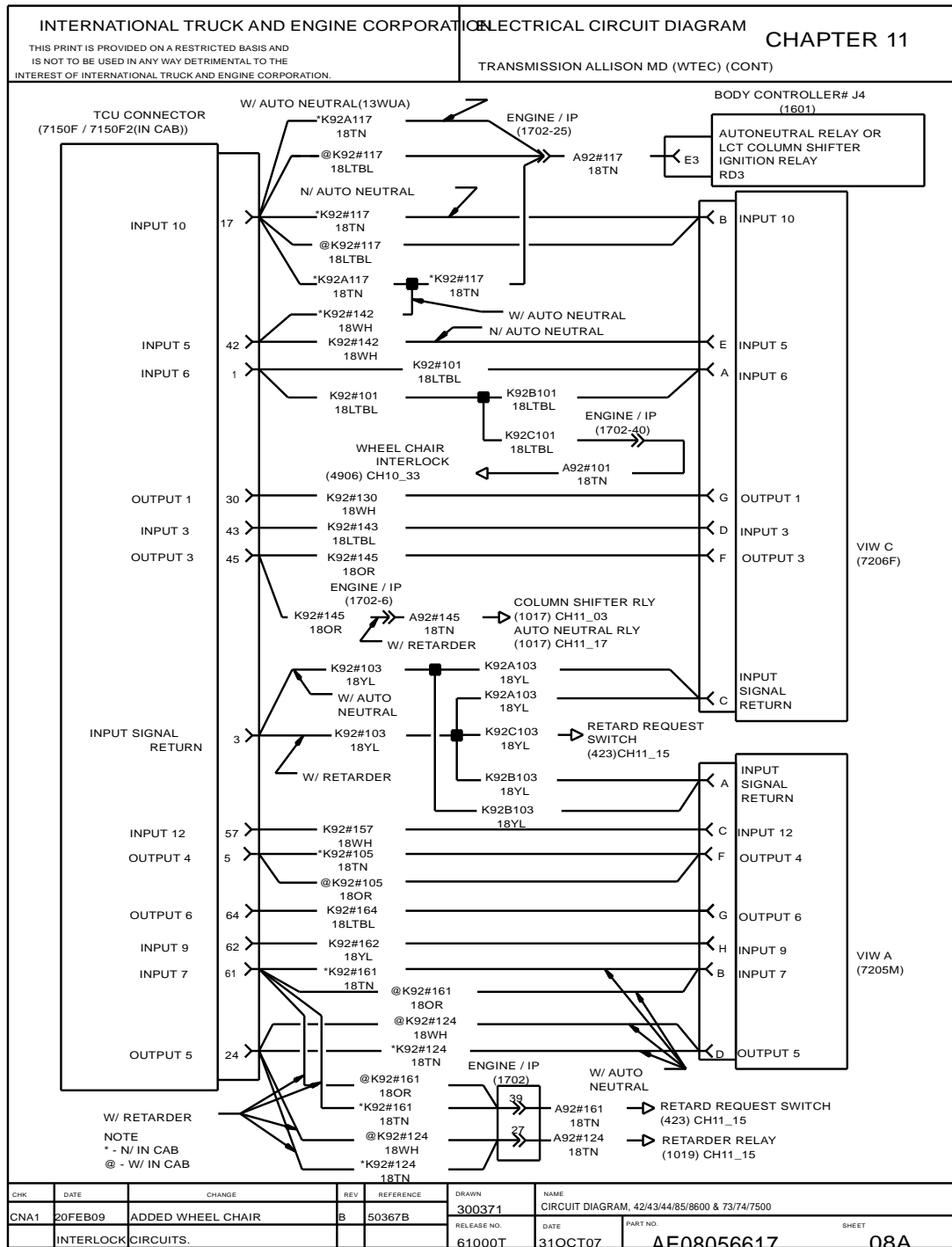


Figure 223 Transmission, Allison MD (WTEC) (Cont.)

11.10. TRANSMISSION, ALLISON MD (WTEC) (ISM ENGINE), P. 9

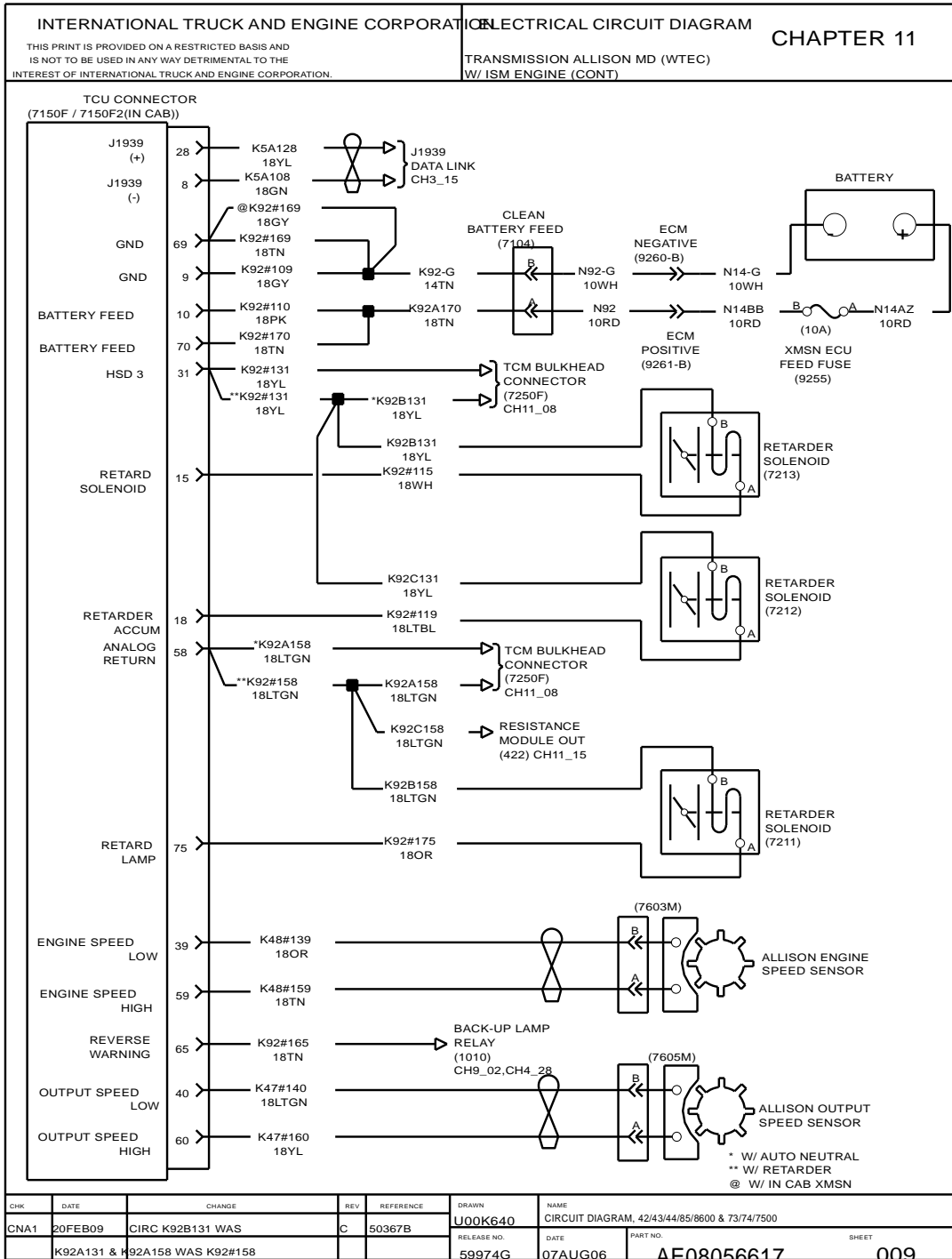


Figure 224 Transmission, Allison MD (WTEC) (ISM Engine)

11.11. TRANSMISSION, ALLISON MD (WTEC) (ISM ENGINE), P. 10

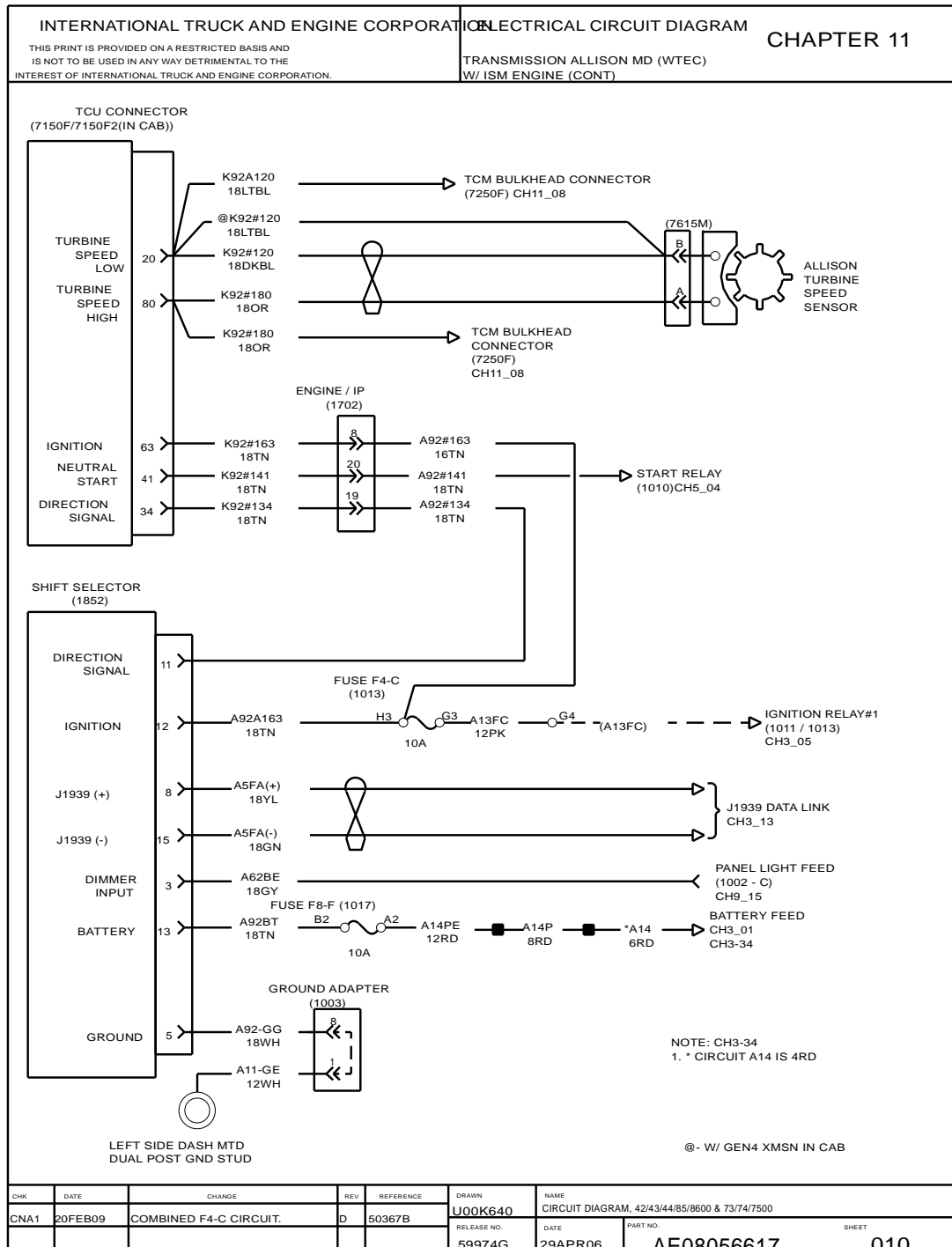


Figure 225 Transmission, Allison MD (WTEC) (ISM Engine) (Cont.)

11.12. TRANSMISSION, EATON ULTRASHIFT (ISM EURO IV ENGINE), P. 10A

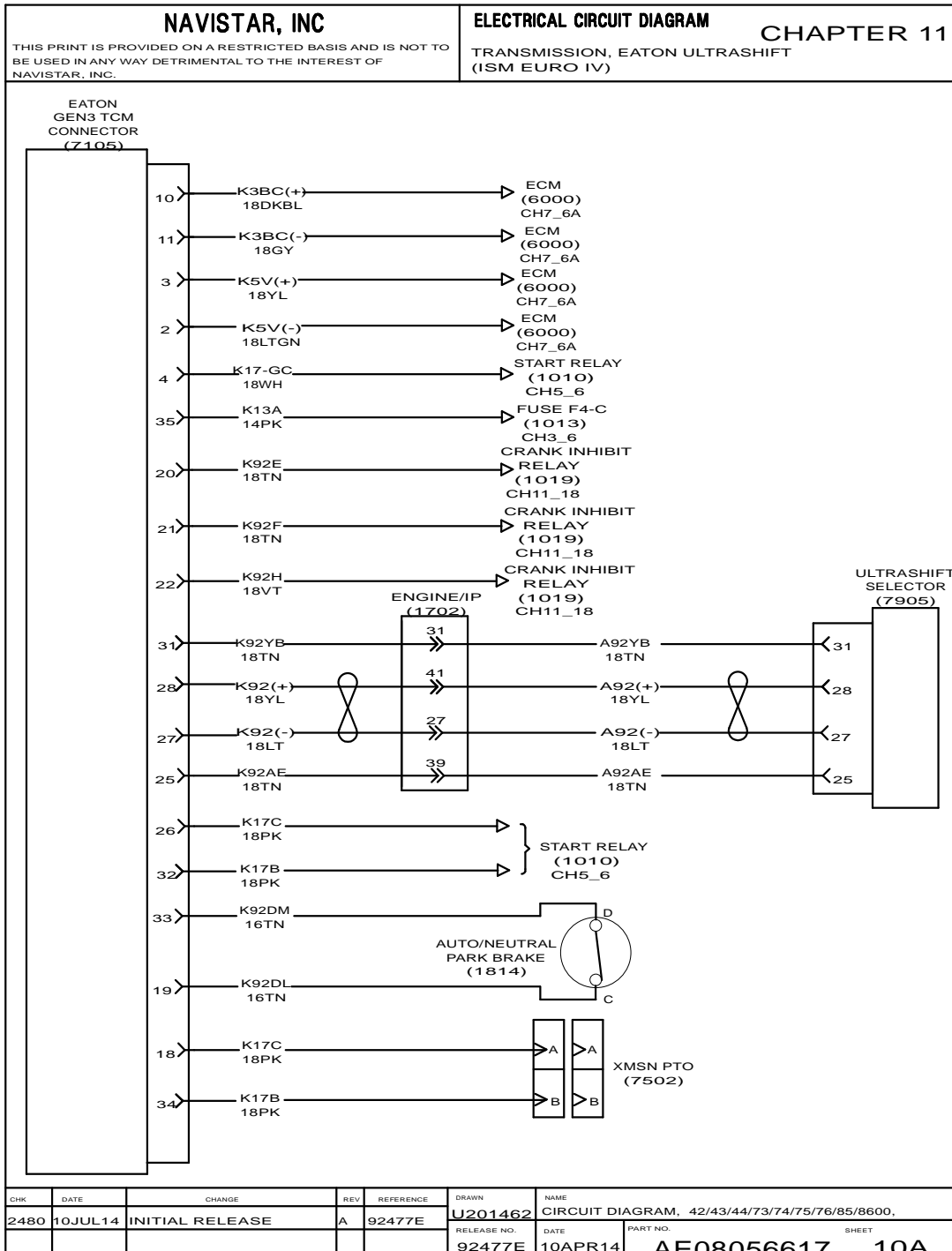


Figure 226 Transmission, Eaton Ultrashift (ISM Euro IV Engine)

11.13. EATON AUTOSHIFT TRANSMISSION WITH I6 ENGINE, P. 11

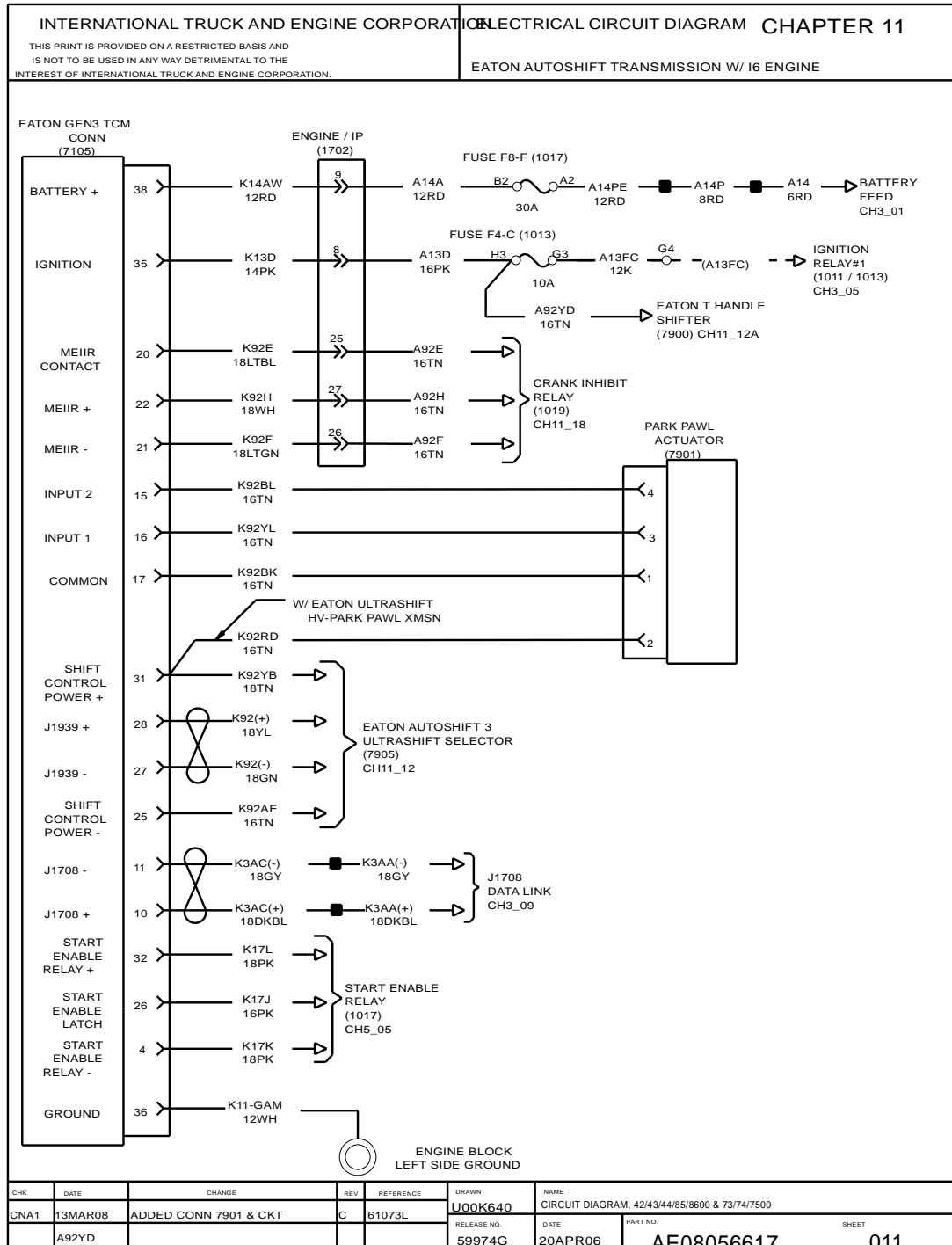


Figure 227 Eaton Autoshift Transmission with I6 Engine

11.14. EATON AUTOSHIFT TRANSMISSION, P. 12

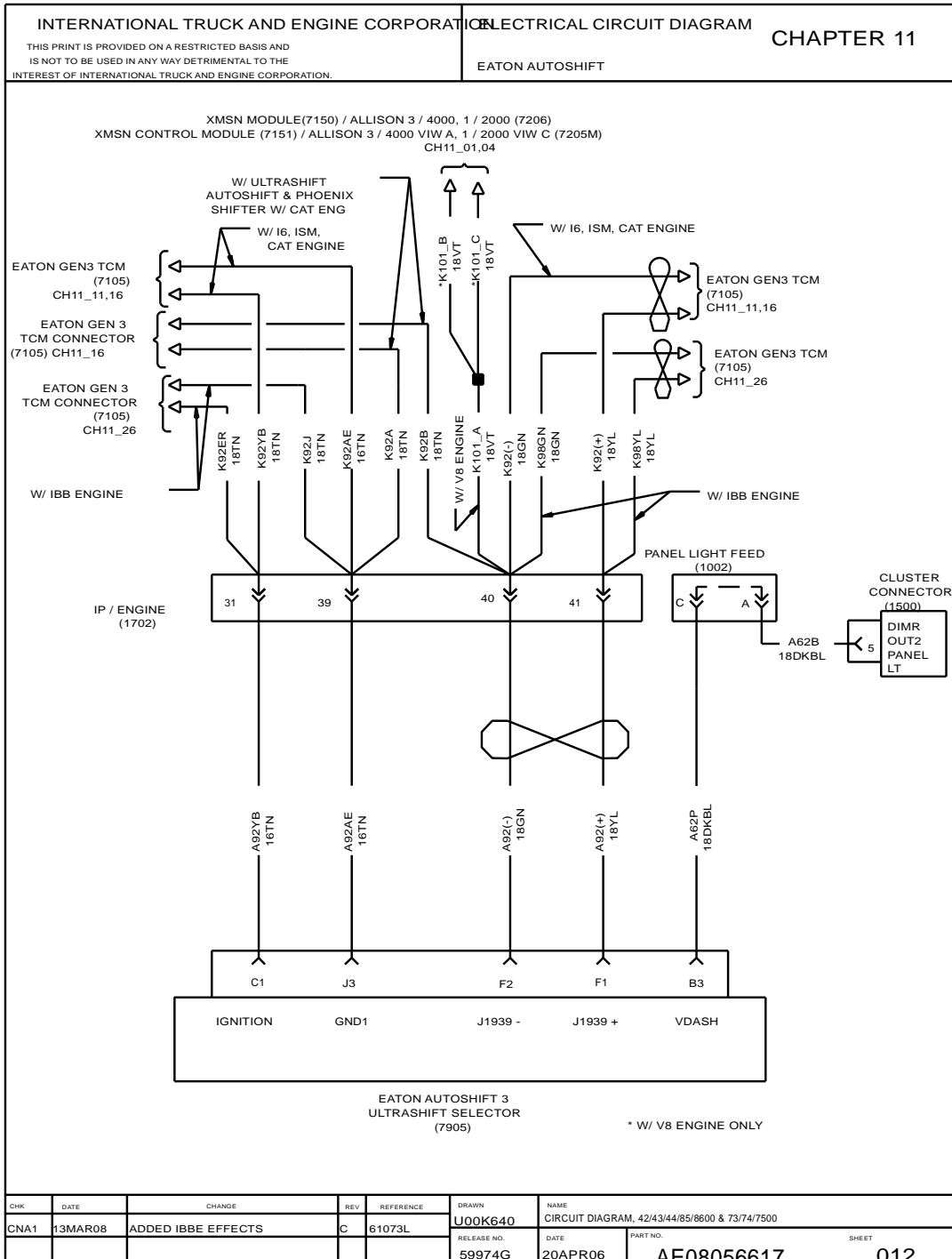


Figure 228 Eaton Autoshift Transmission



11.15. EATON AUTOSHIFT TRANSMISSION (CONT.), P. 12A

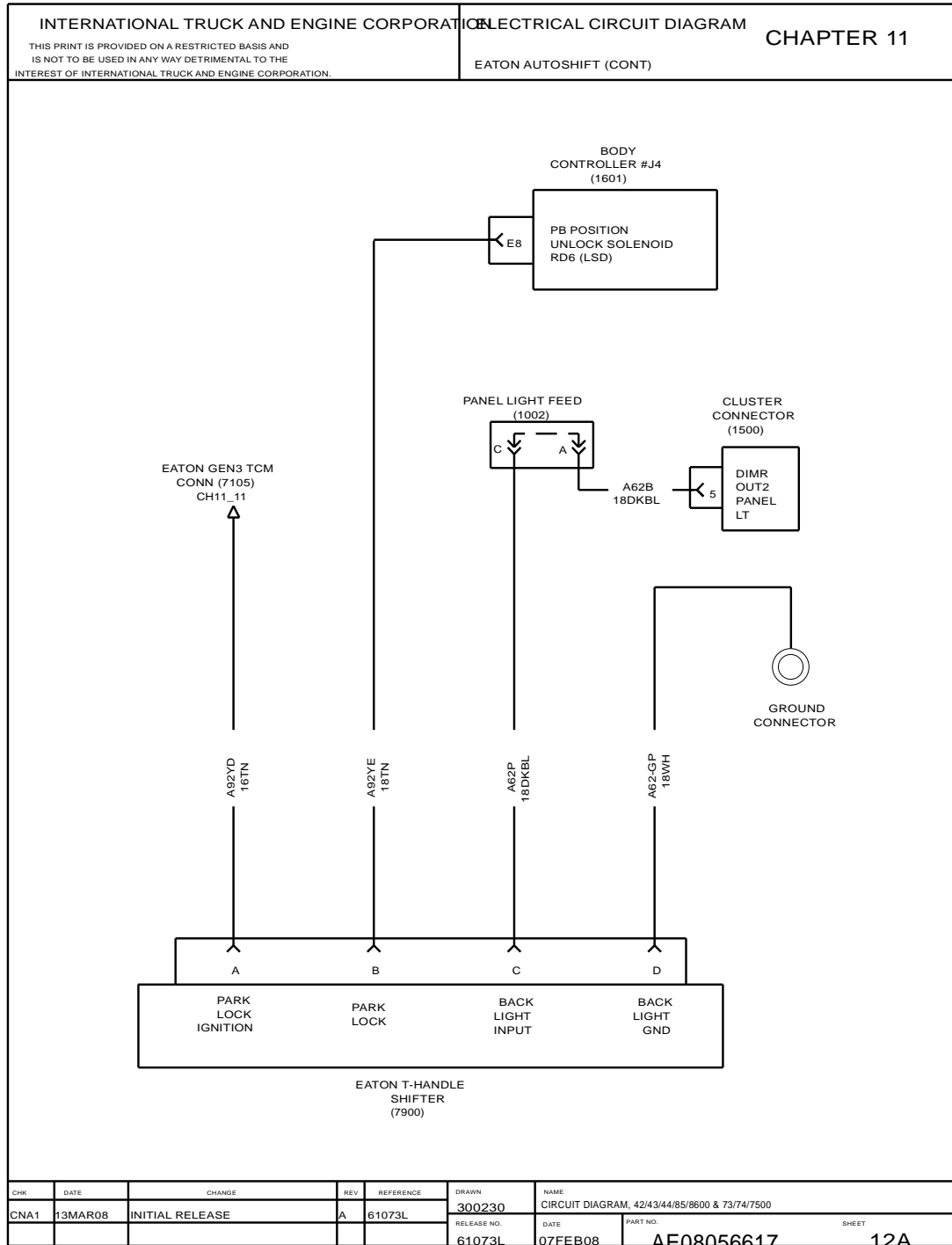


Figure 229 Eaton Autoshift Transmission (Cont.)

11.16. TRANSMISSION ALLISON MD (WTEC) WITH CAT ENGINE, P. 13

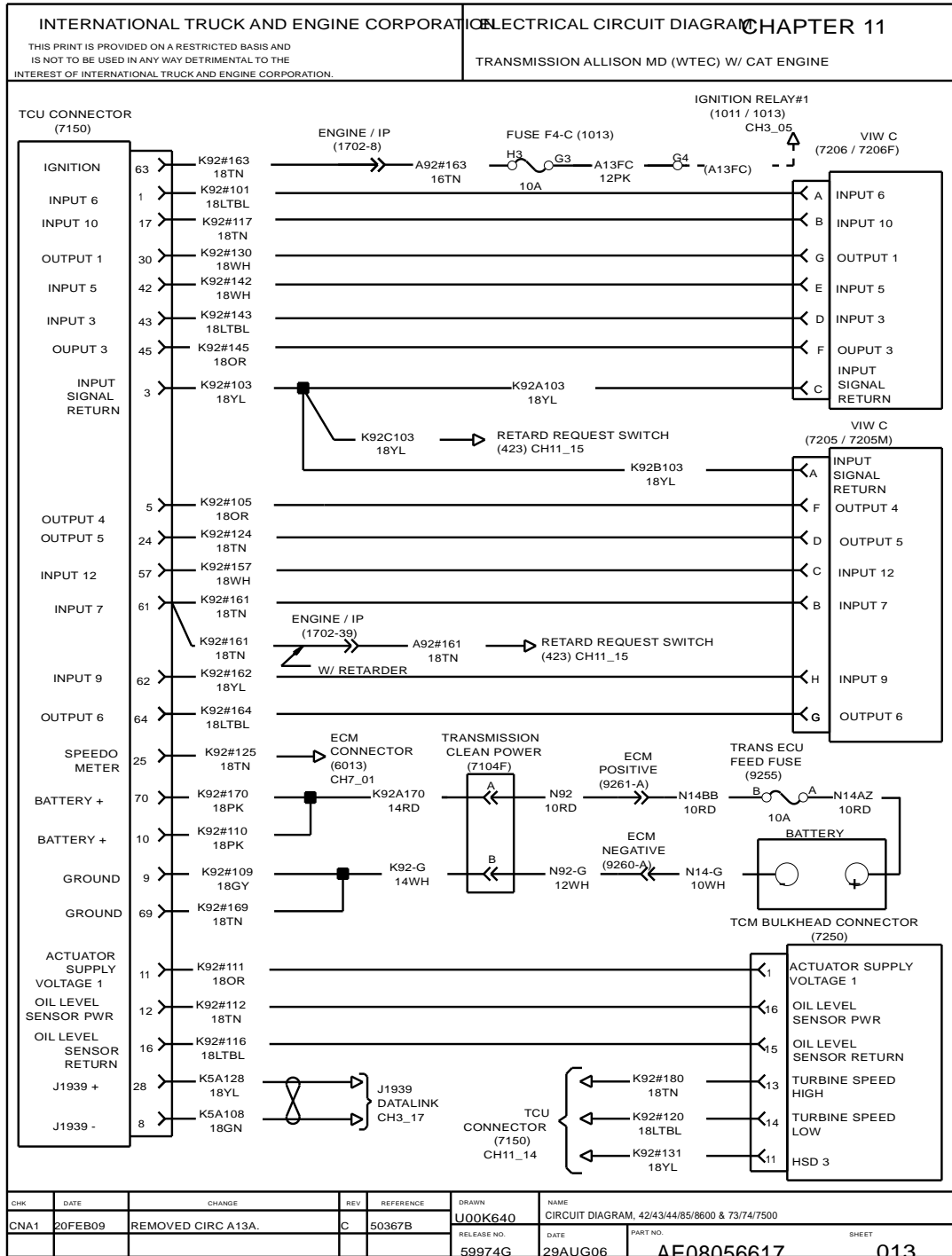


Figure 230 Transmission Allison MD (WTEC) with Cat Engine

11.17. TRANSMISSION ALLISON MD (WTEC) WITH CAT ENGINE (CONT.), P. 14

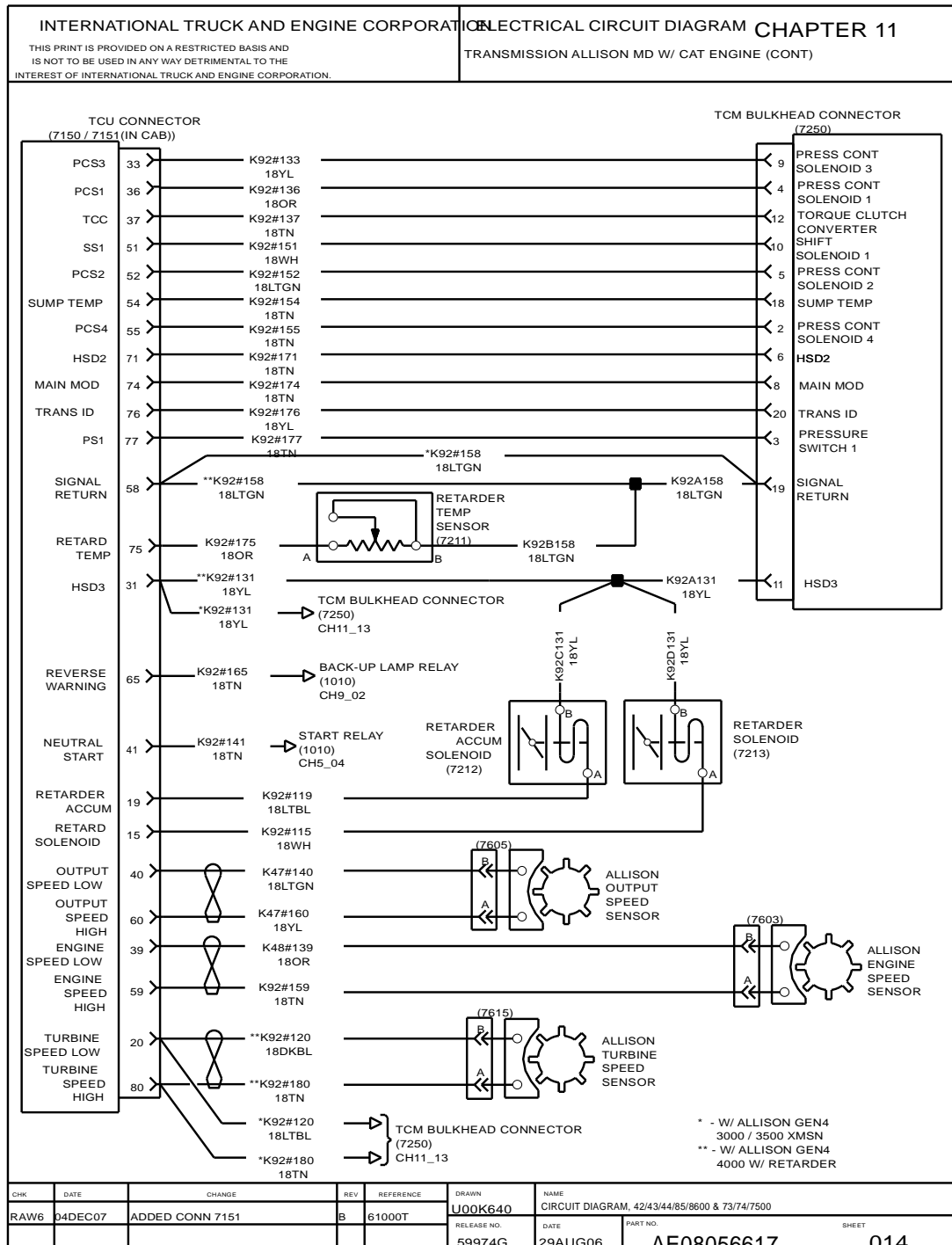


Figure 231 Transmission Allison MD (WTEC) with Cat Engine (Cont.)

11.18. TRANSMISSION RETARDER CONTROLS WIRING WITH MD TRANSMISSION HARD WIRED EFFECTS, P. 15

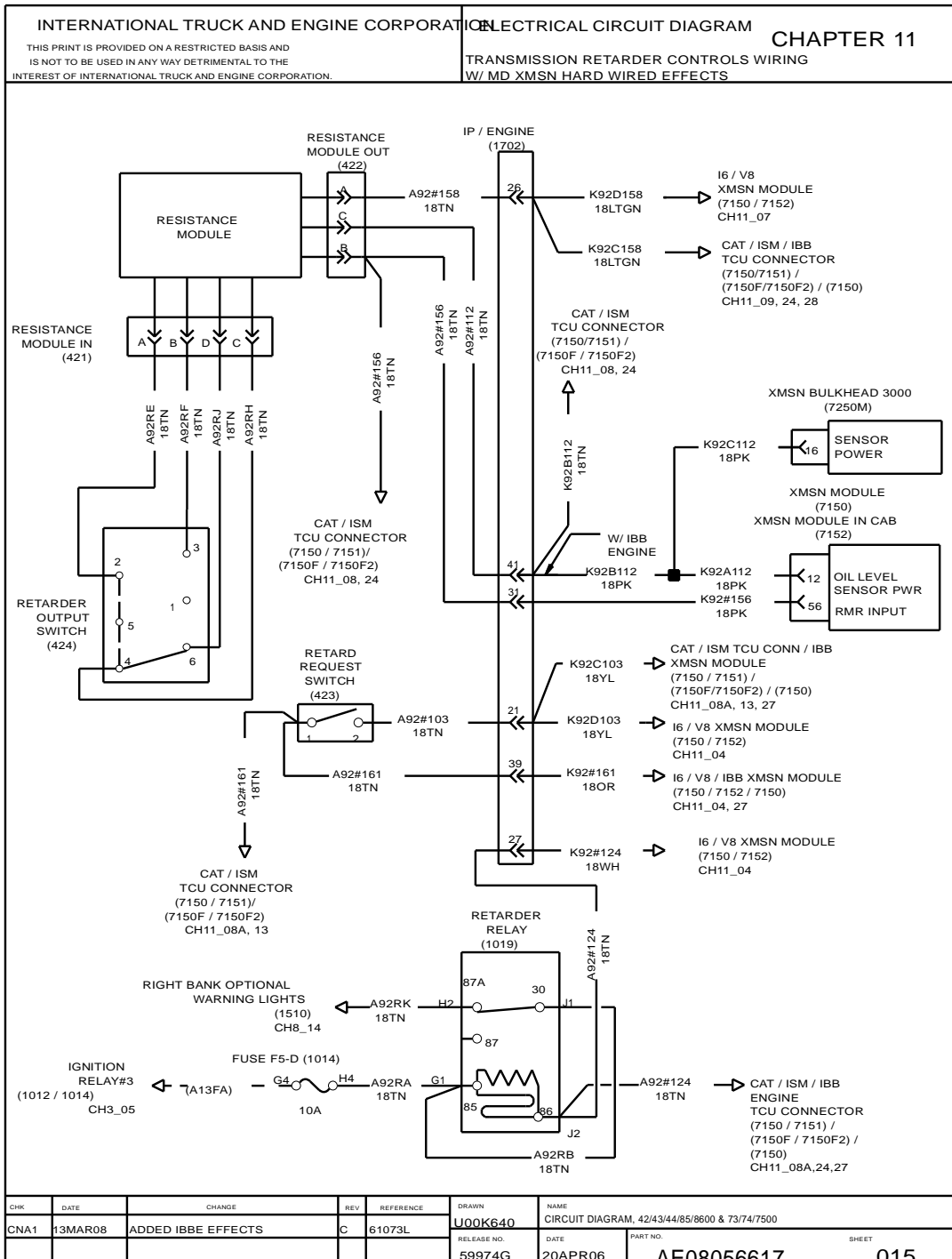


Figure 232 Transmission Retarder Controls Wiring with MD Transmission Hard Wired Effects

11.19. EATON AUTO AND ULTRASHIFT GEN 3 TRANSMISSION WITH CAT AND WITH ISM ENGINE, P. 16

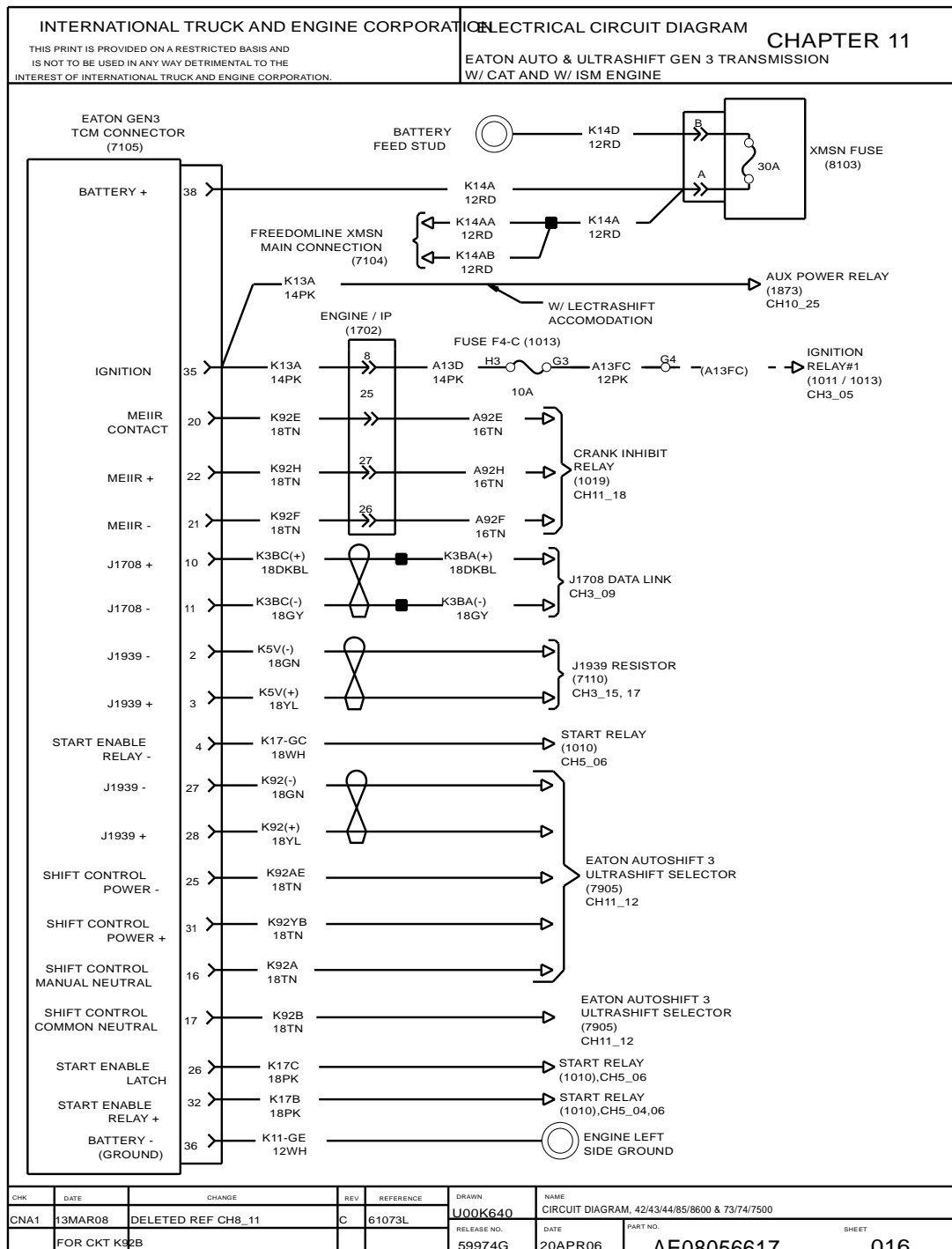


Figure 233 Eaton Auto and Ultrashift Gen 3 Transmission with Cat and with ISM Engine

11.20. ALLISON TRANSMISSION 3 / 4000 GEN 4 WITH AUTO NEUTRAL, P. 17

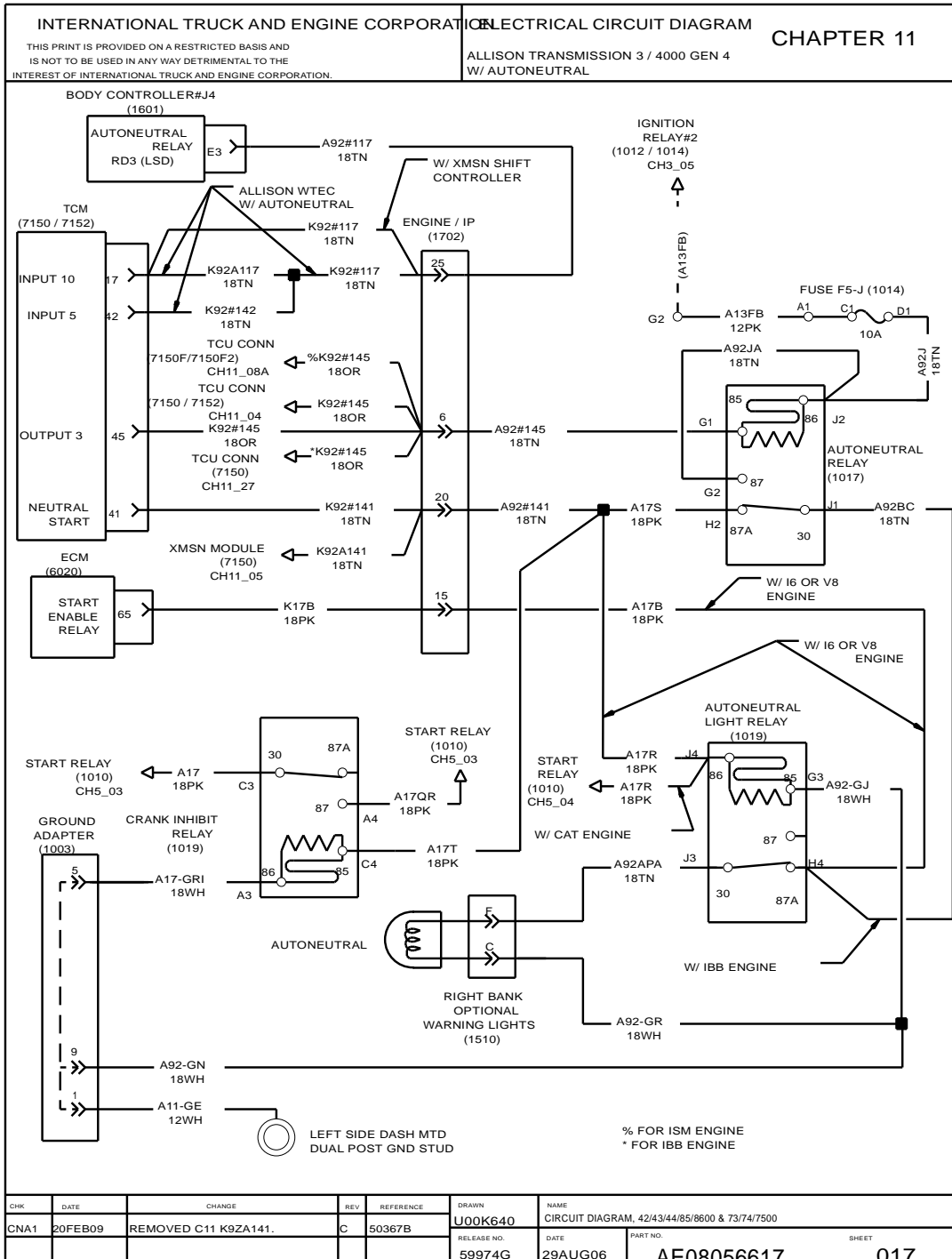


Figure 234 Allison Transmission 3 / 4000 Gen 4 With Auto Neutral

11.21. EATON ULTRASHIFT GEN 3 / MERITOR G – MANUAL TRANSMISSION, P. 18

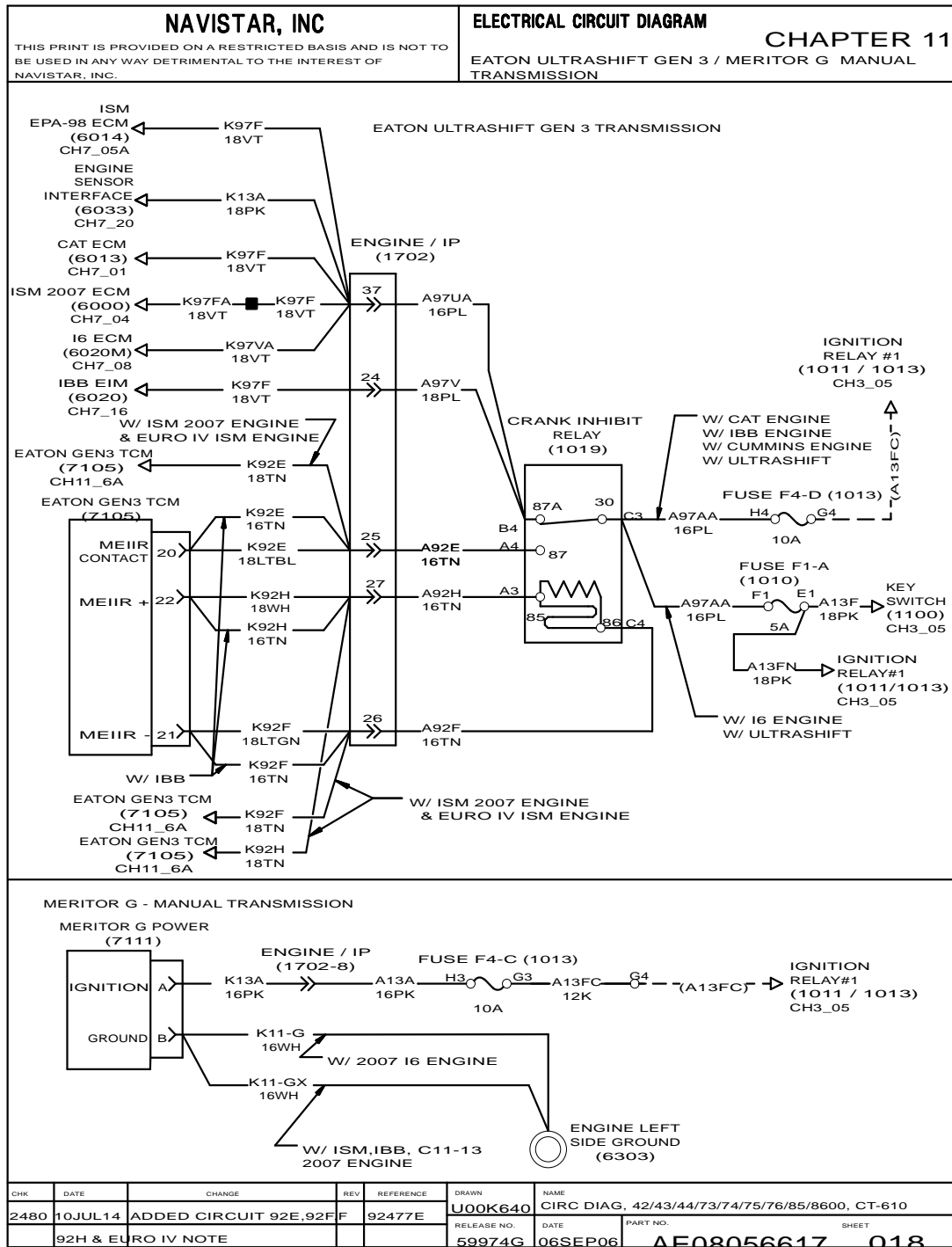


Figure 235 Eaton Ultrashift Gen 3 / Meritor G – Manual Transmission

11.22. EATON HYBRID TRANSMISSION, P. 19

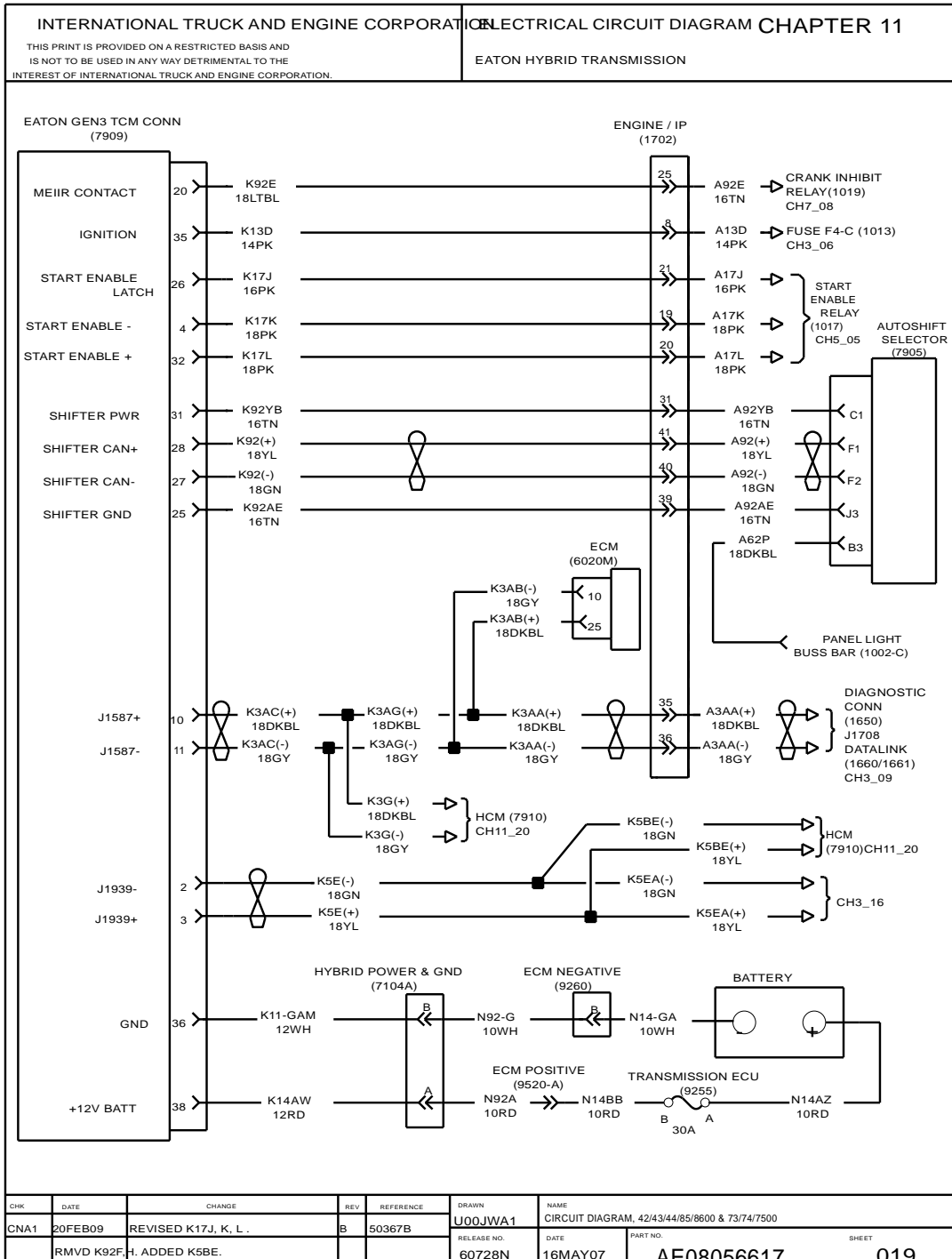


Figure 236 Eaton Hybrid Transmission



11.23. EATON HYBRID TRANSMISSION (CONT.), P. 20

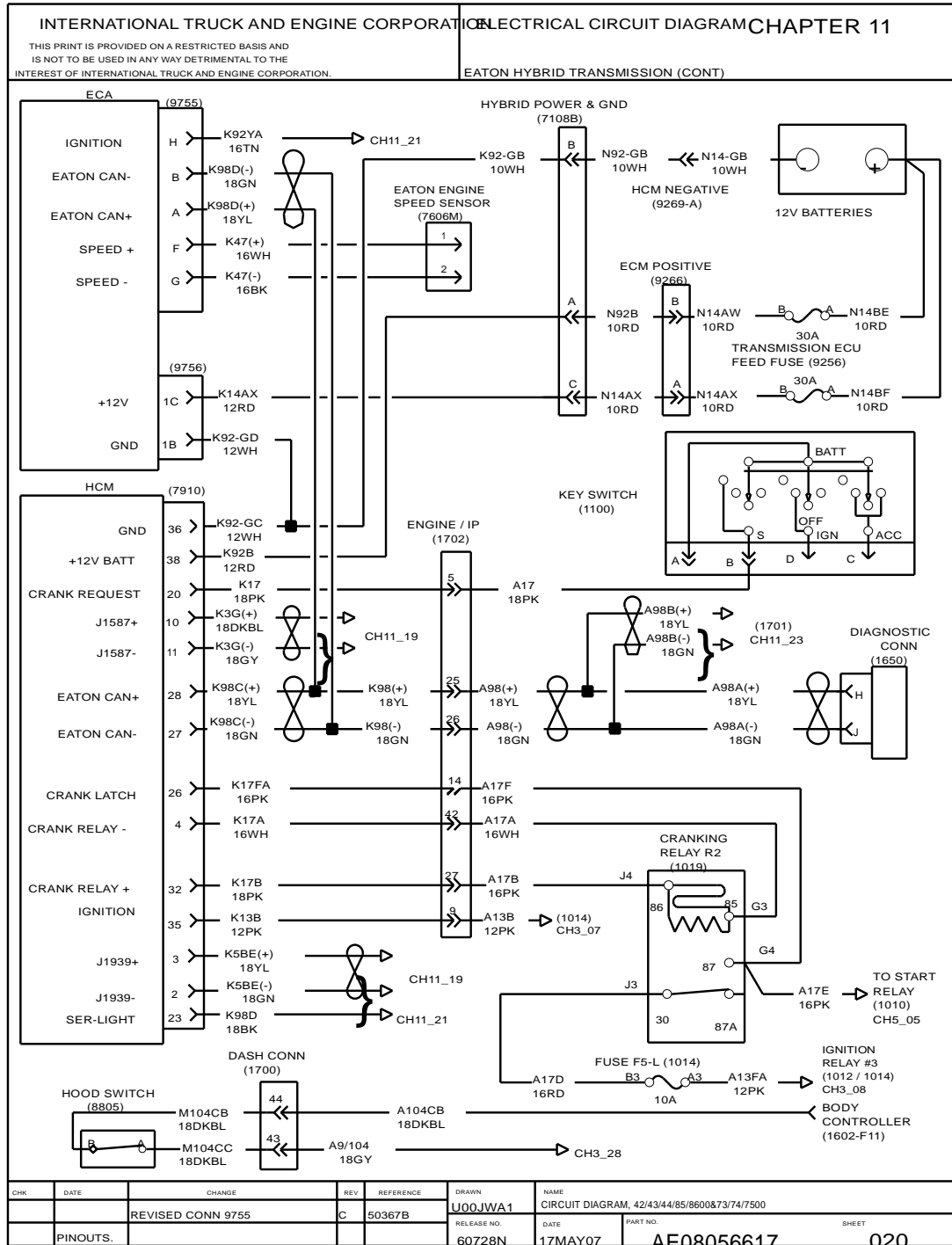


Figure 237 Eaton Hybrid Transmission (Cont.)

11.24. EATON HYBRID TRANSMISSION (CONT.), P. 21

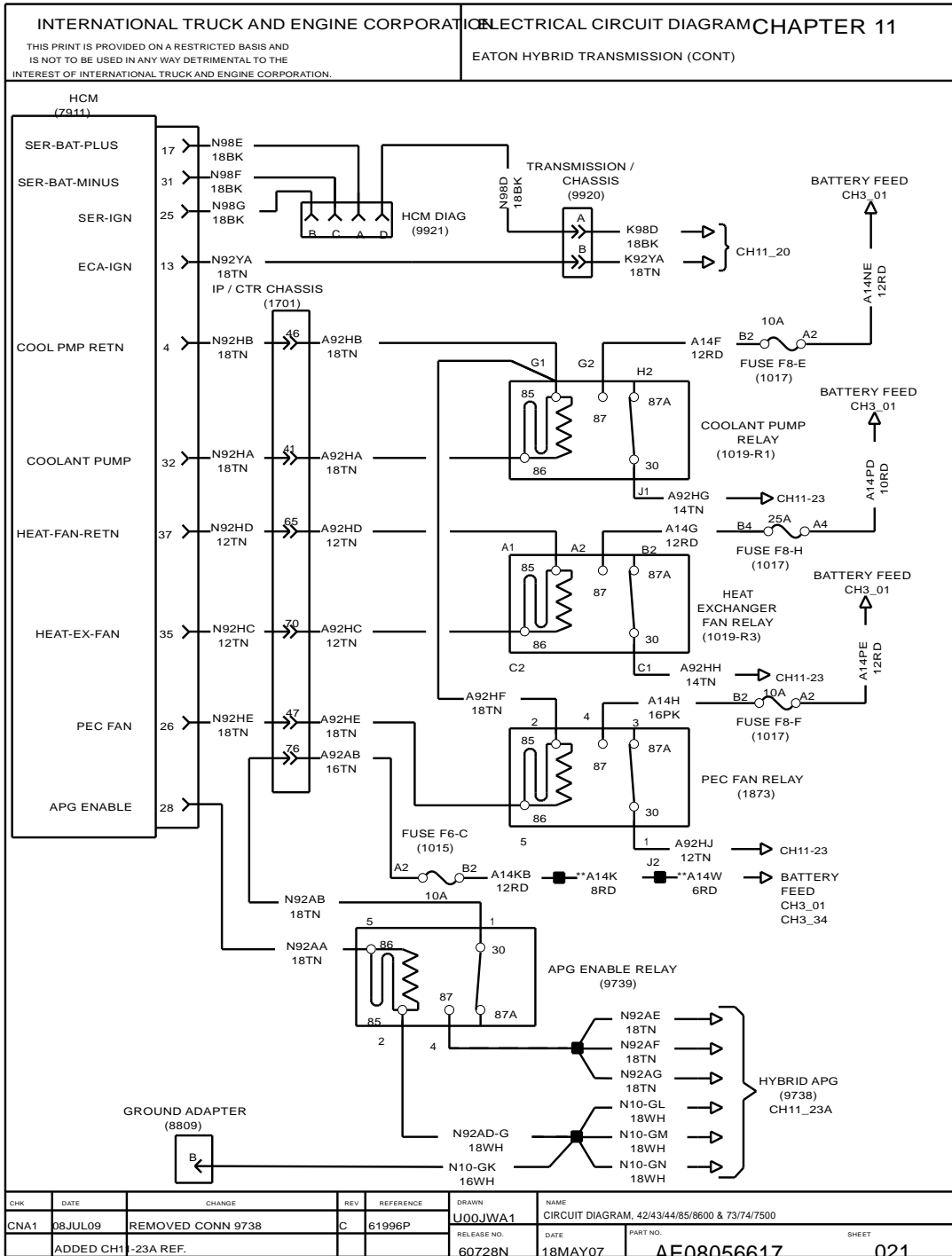


Figure 238 Eaton Hybrid Transmission (Cont.)

11.25. EATON HYBRID TRANSMISSION (CONT.), P. 22

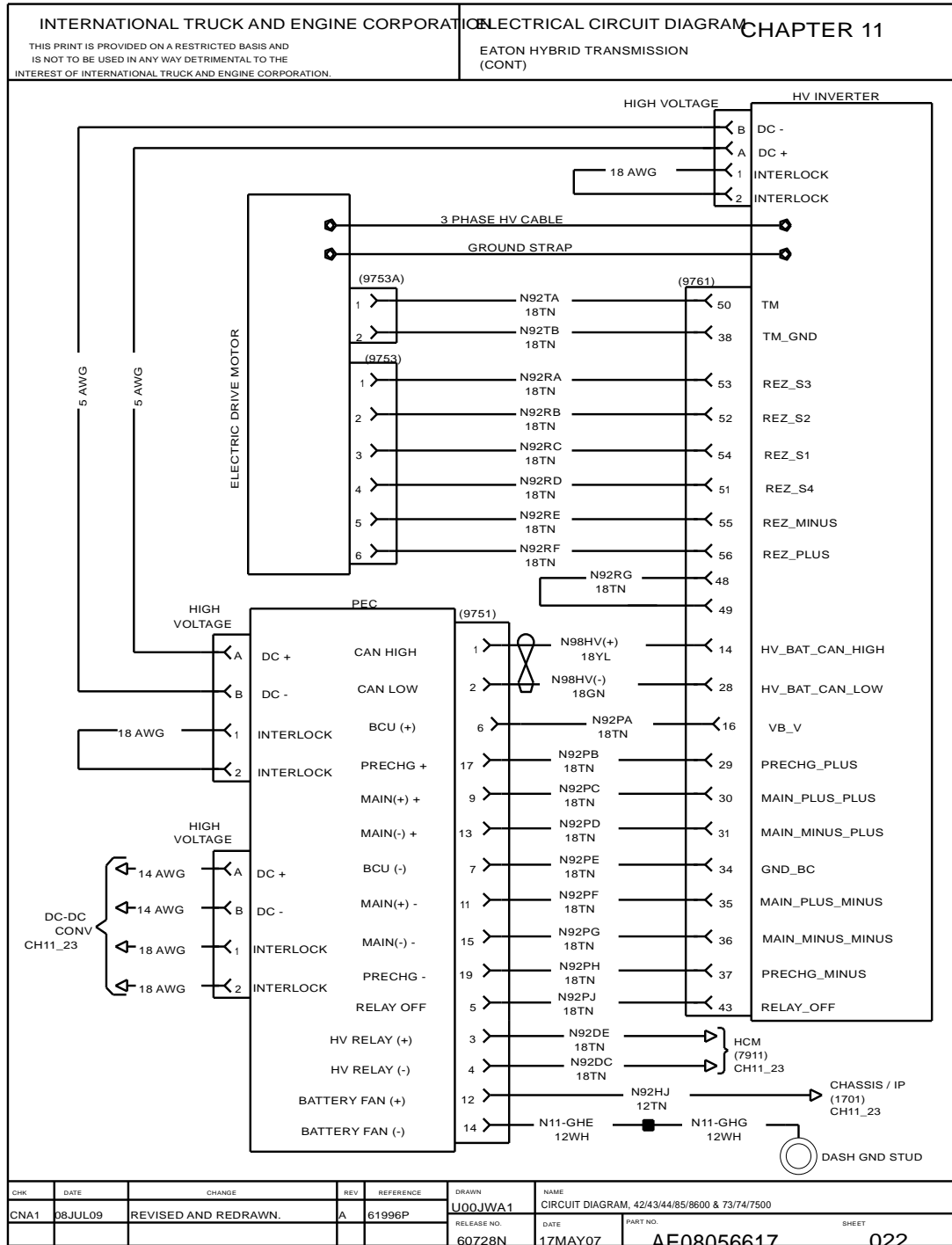


Figure 239 Eaton Hybrid Transmission (Cont.)

11.26. EATON HYBRID TRANSMISSION (CONT.), P. 23

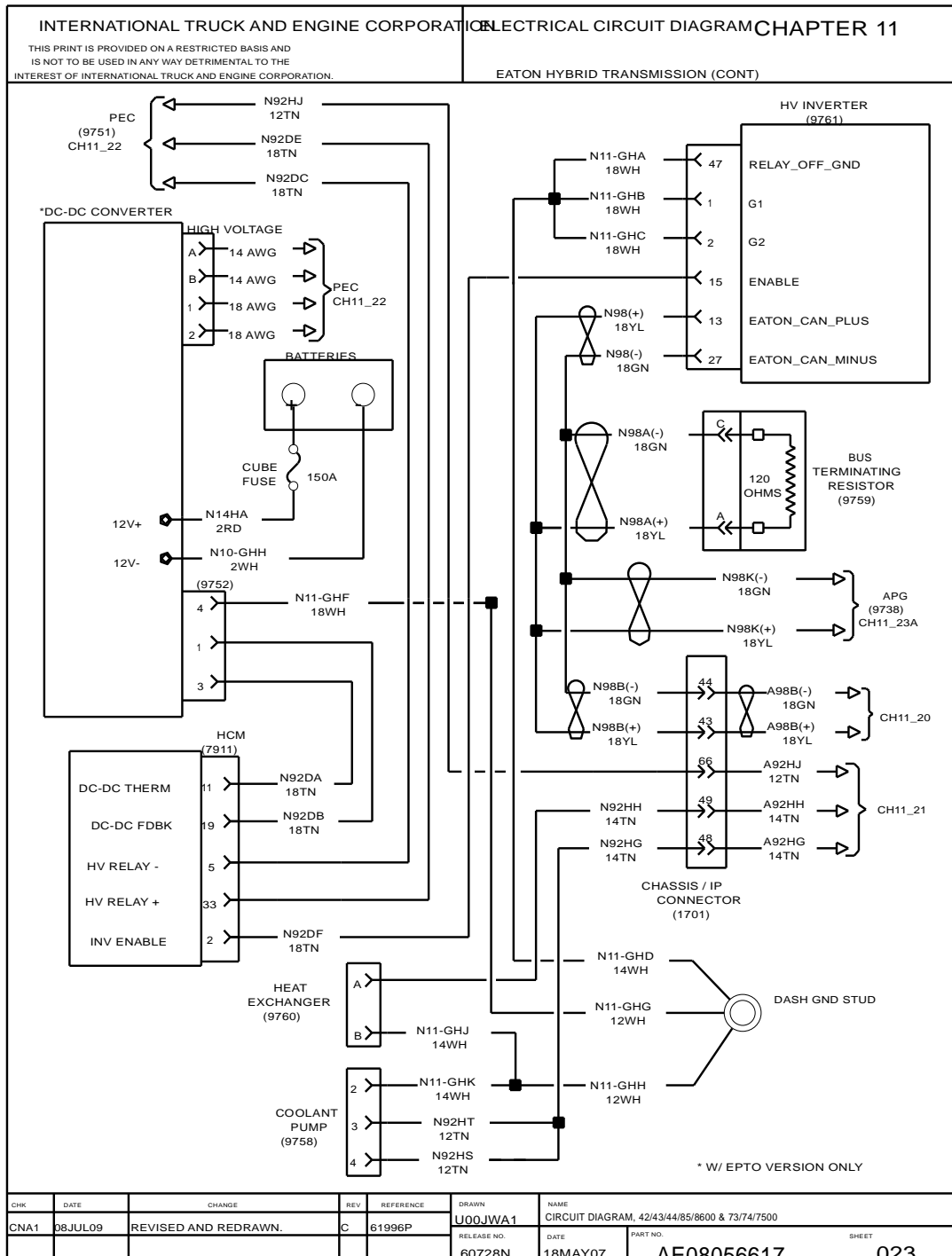


Figure 240 Eaton Hybrid Transmission (Cont.)

11.27. EATON HYBRID TRANSMISSION (CONT.), P. 23A

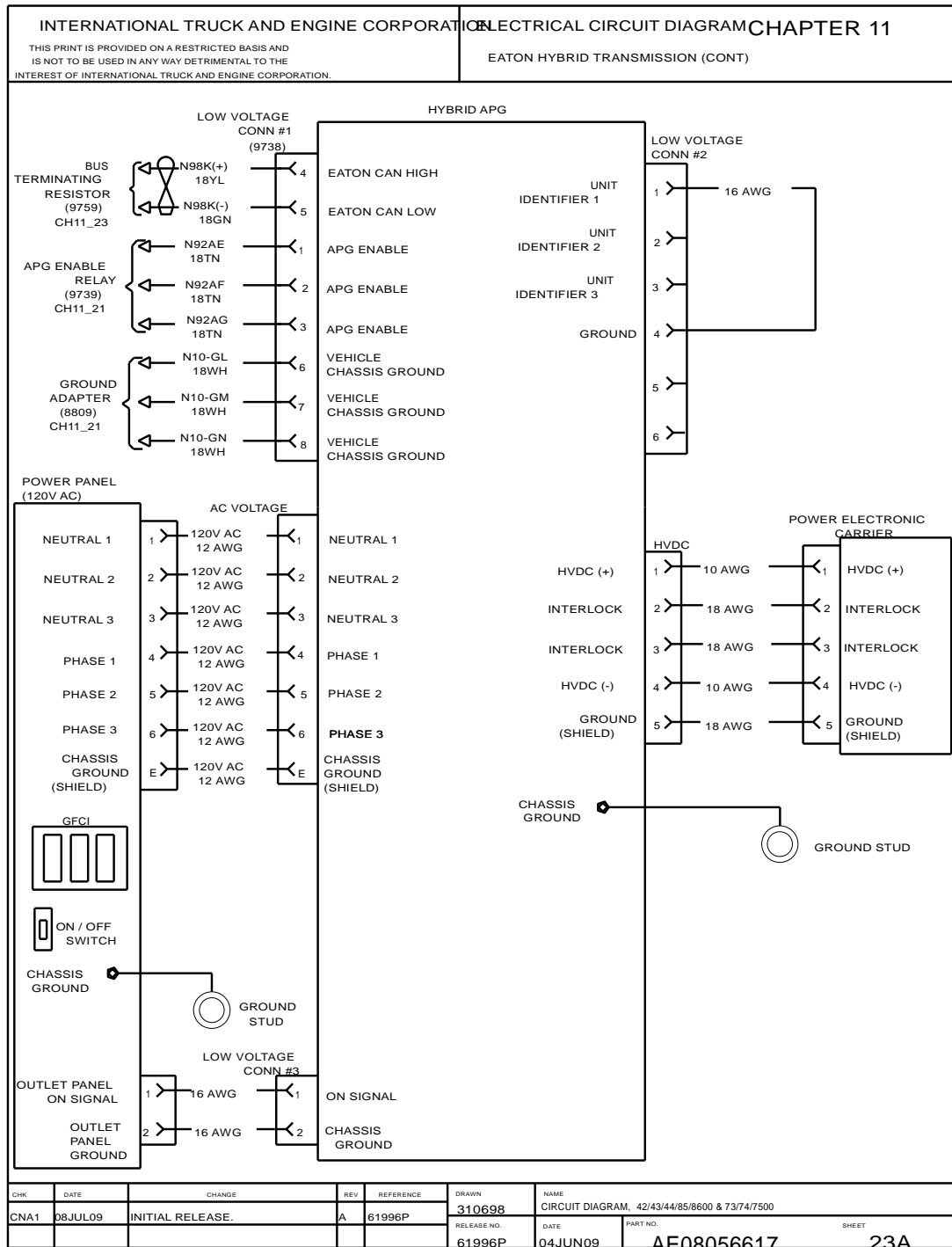


Figure 241 Eaton Hybrid Transmission (Cont.)

11.28. TRANSMISSION ALLISON MD (WTEC) WITH CAT ENGINE, P. 24

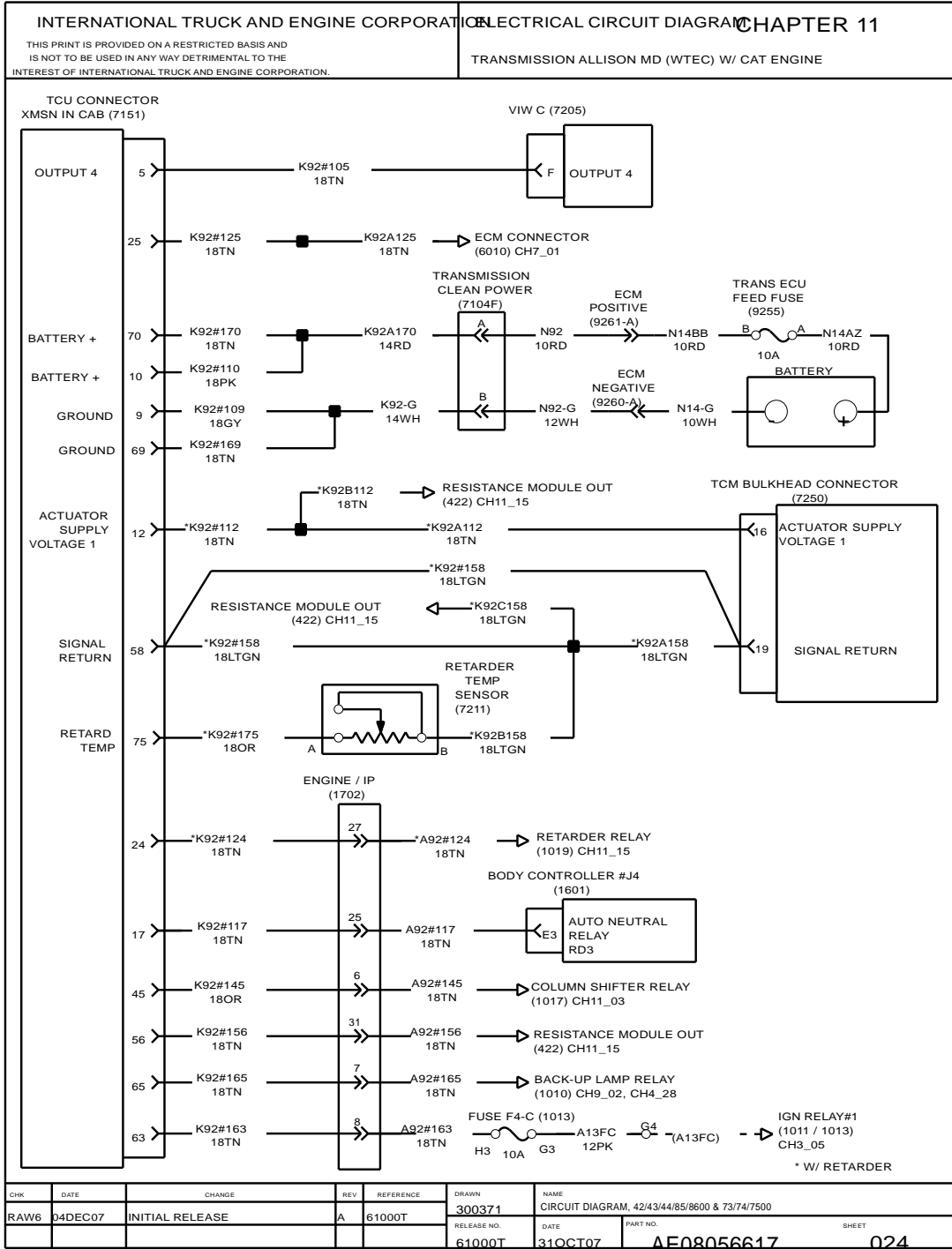


Figure 242 Transmission Allison MD (WTEC) with Cat Engine

11.29. FREEDOMLINE TRANSMISSION WITH CAT AND ISM ENGINE, P. 25

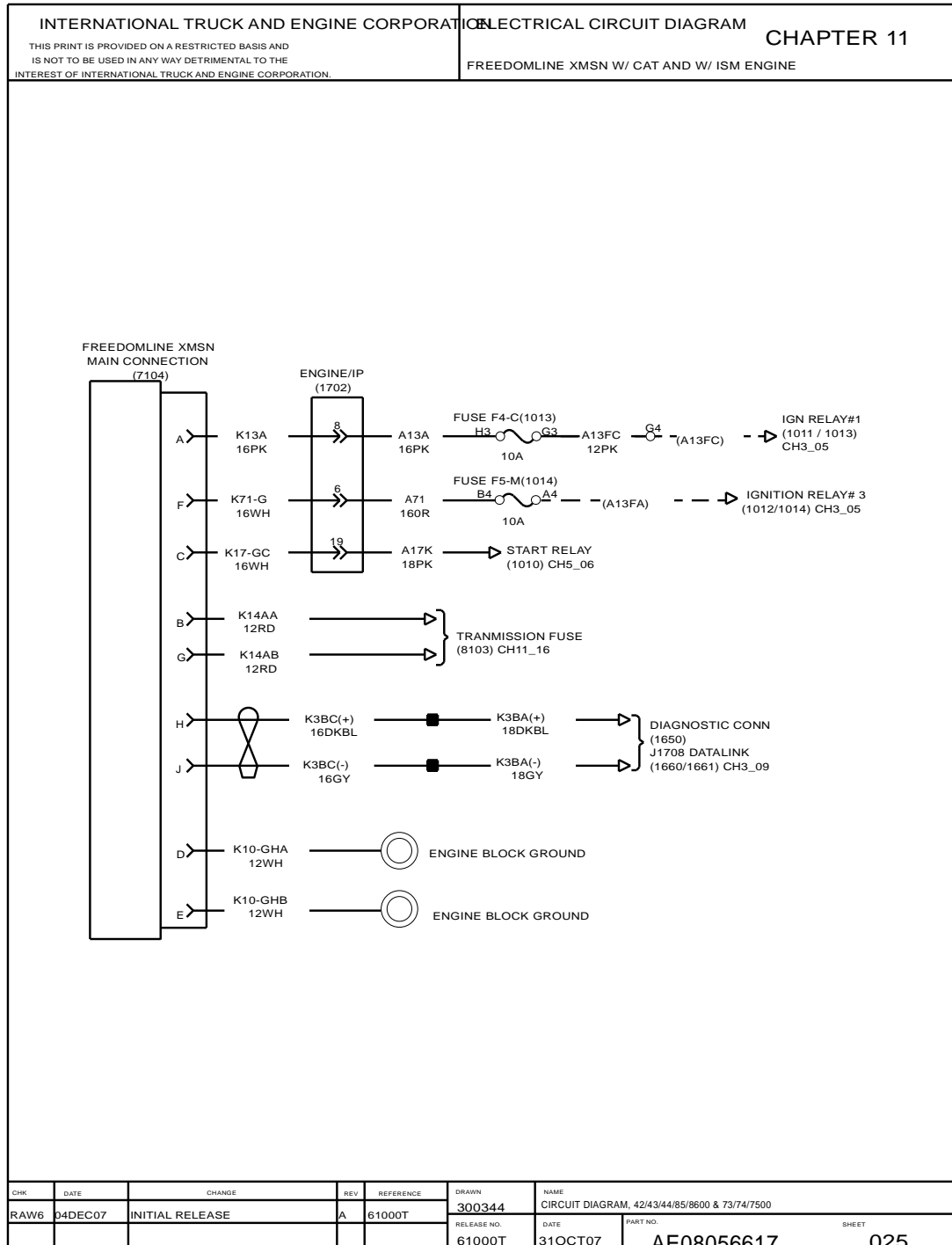


Figure 243 Freedomline Transmission with Cat and ISM Engine

11.30. EATON AUTO AND ULTRASHIFT GEN 3 TRANSMISSION WITH IBB ENGINE, P. 26

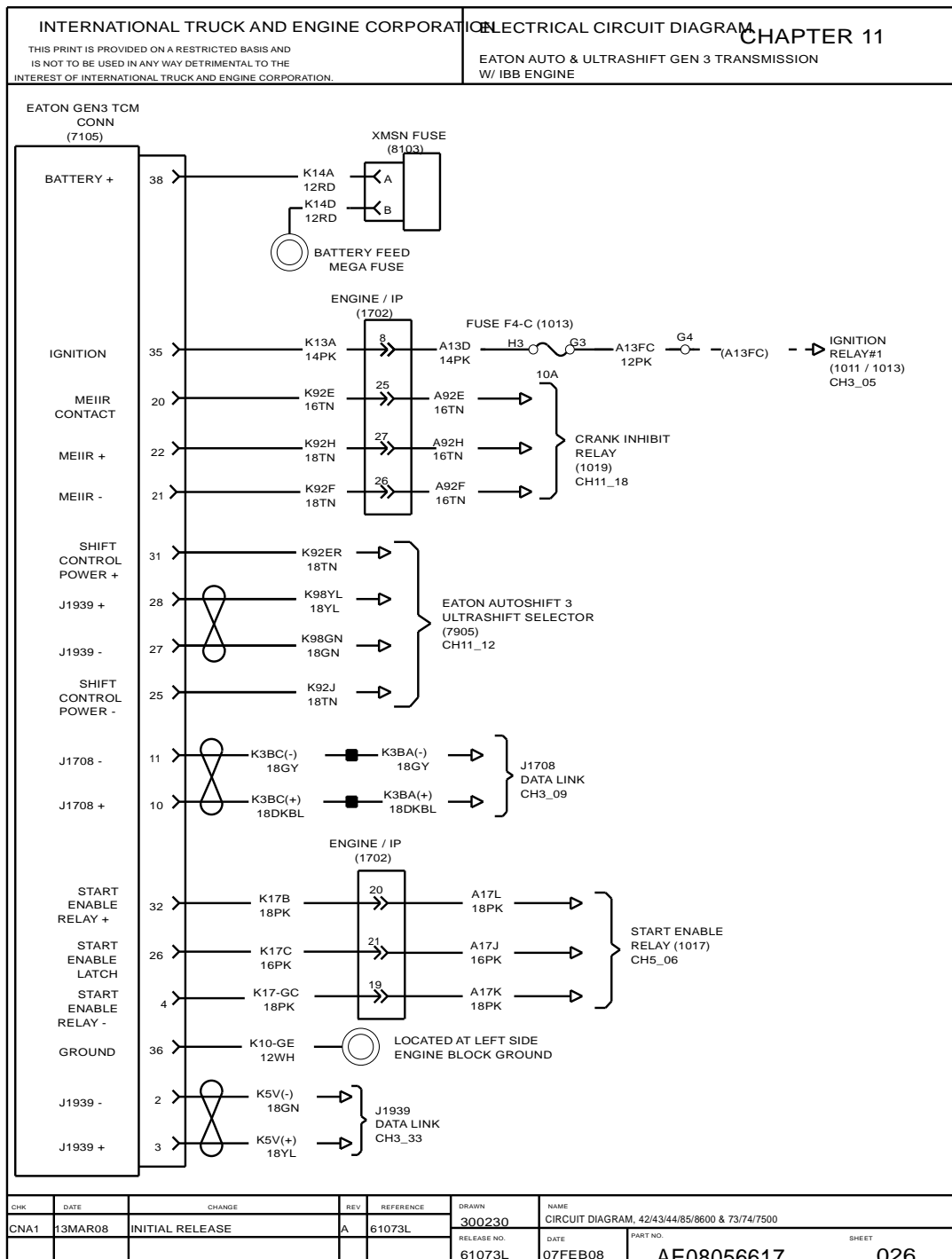


Figure 244 Eaton Auto and Ultrashift Gen 3 Transmission with IBB Engine



11.31. TRANSMISSION ALLISON WITH IBB ENGINE, P. 27

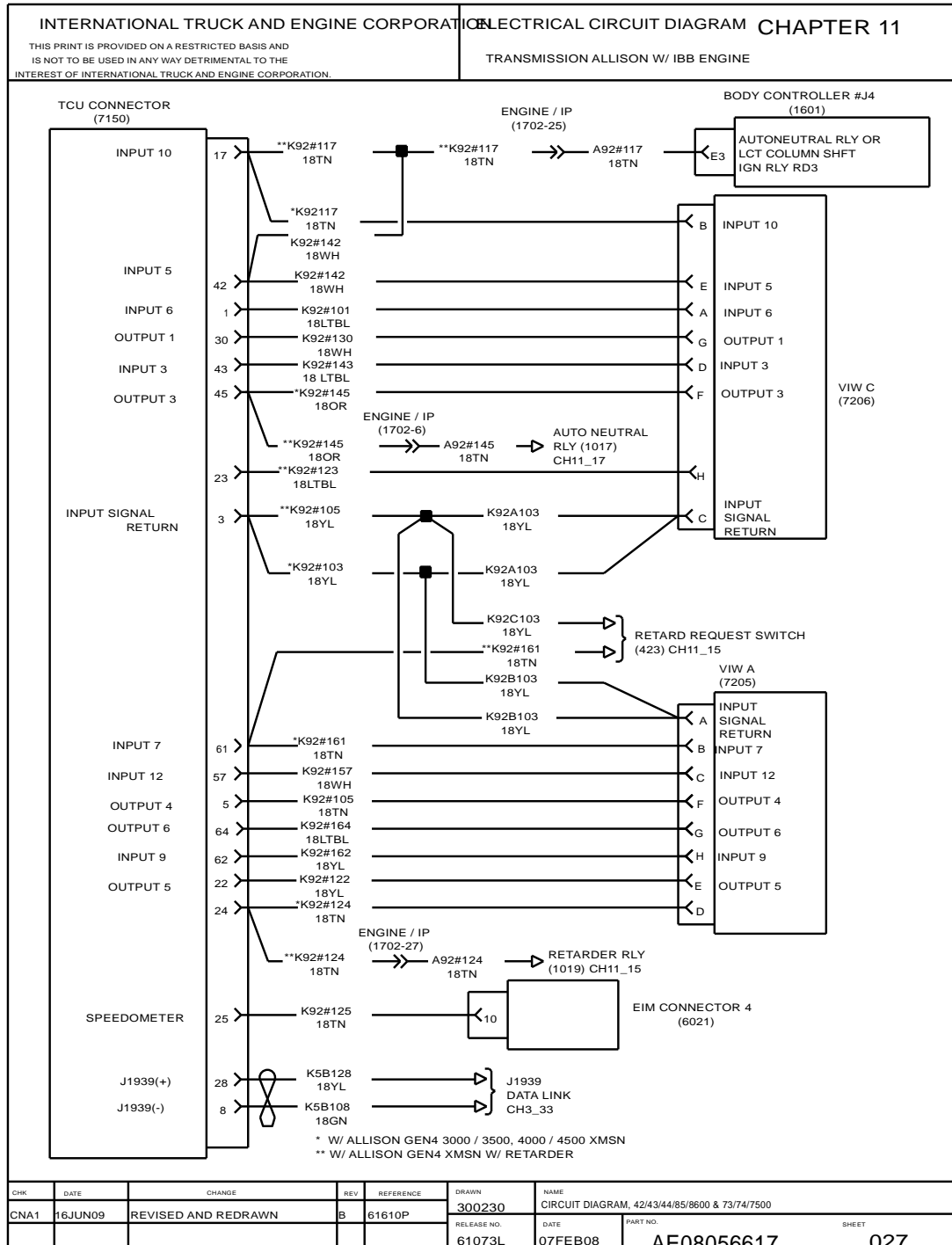


Figure 245 Transmission Allison with IBB Engine

11.32. TRANSMISSION ALLISON WITH IBB ENGINE, P. 28

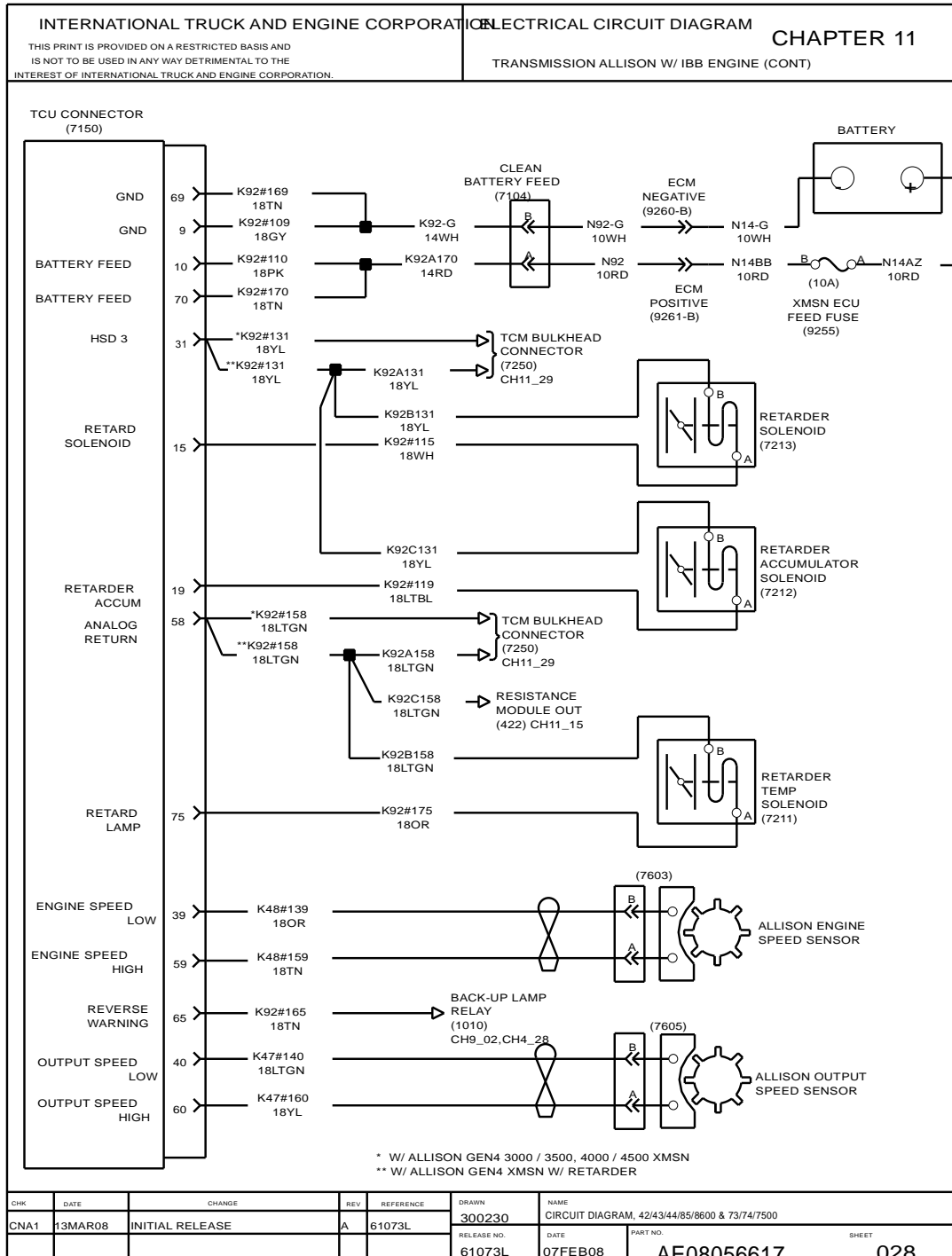


Figure 246 Transmission Allison with IBB Engine

11.33. TRANSMISSION ALLISON WITH IBB ENGINE, P. 29

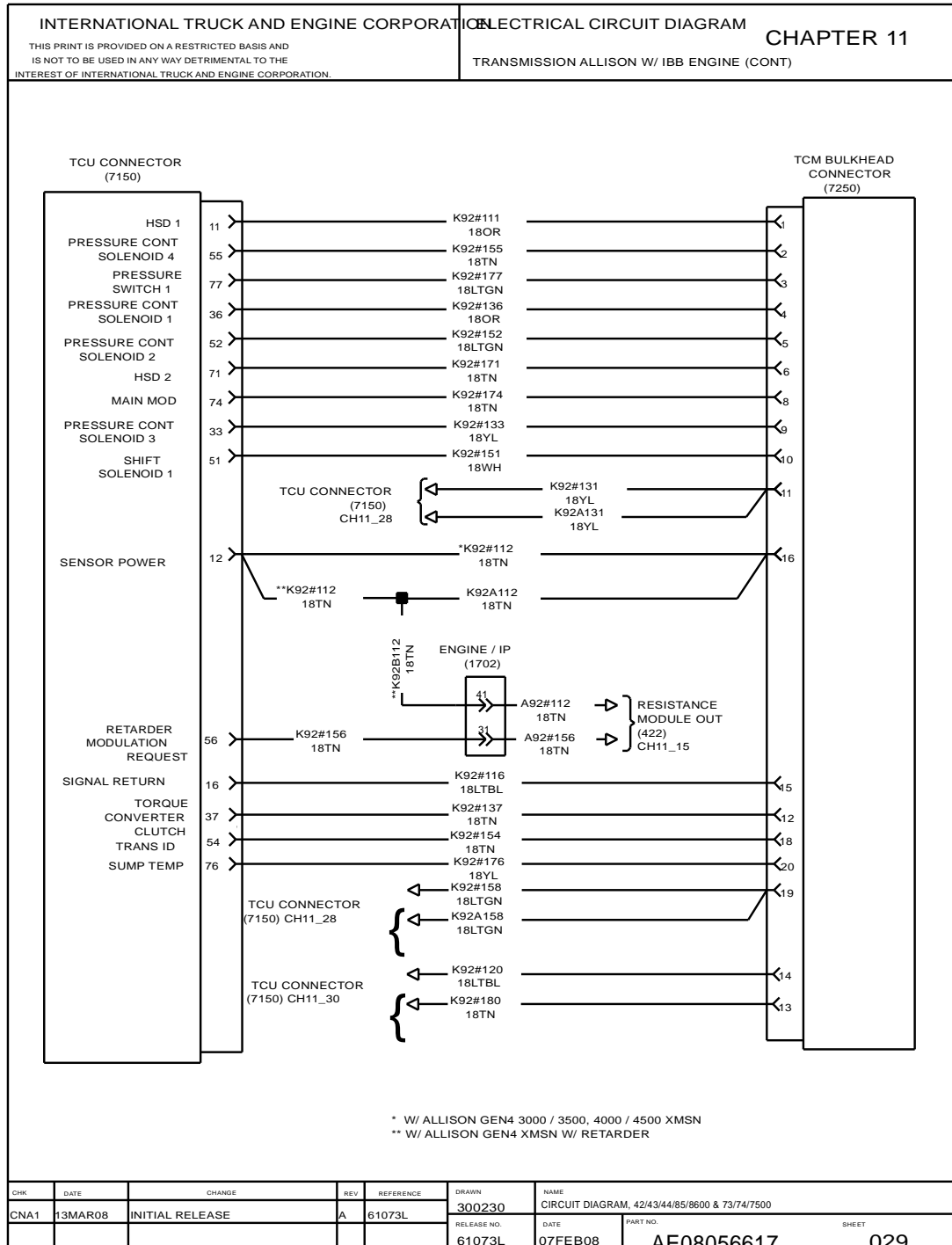


Figure 247 Transmission Allison with IBB Engine

11.34. TRANSMISSION ALLISON WITH IBB ENGINE, P. 30

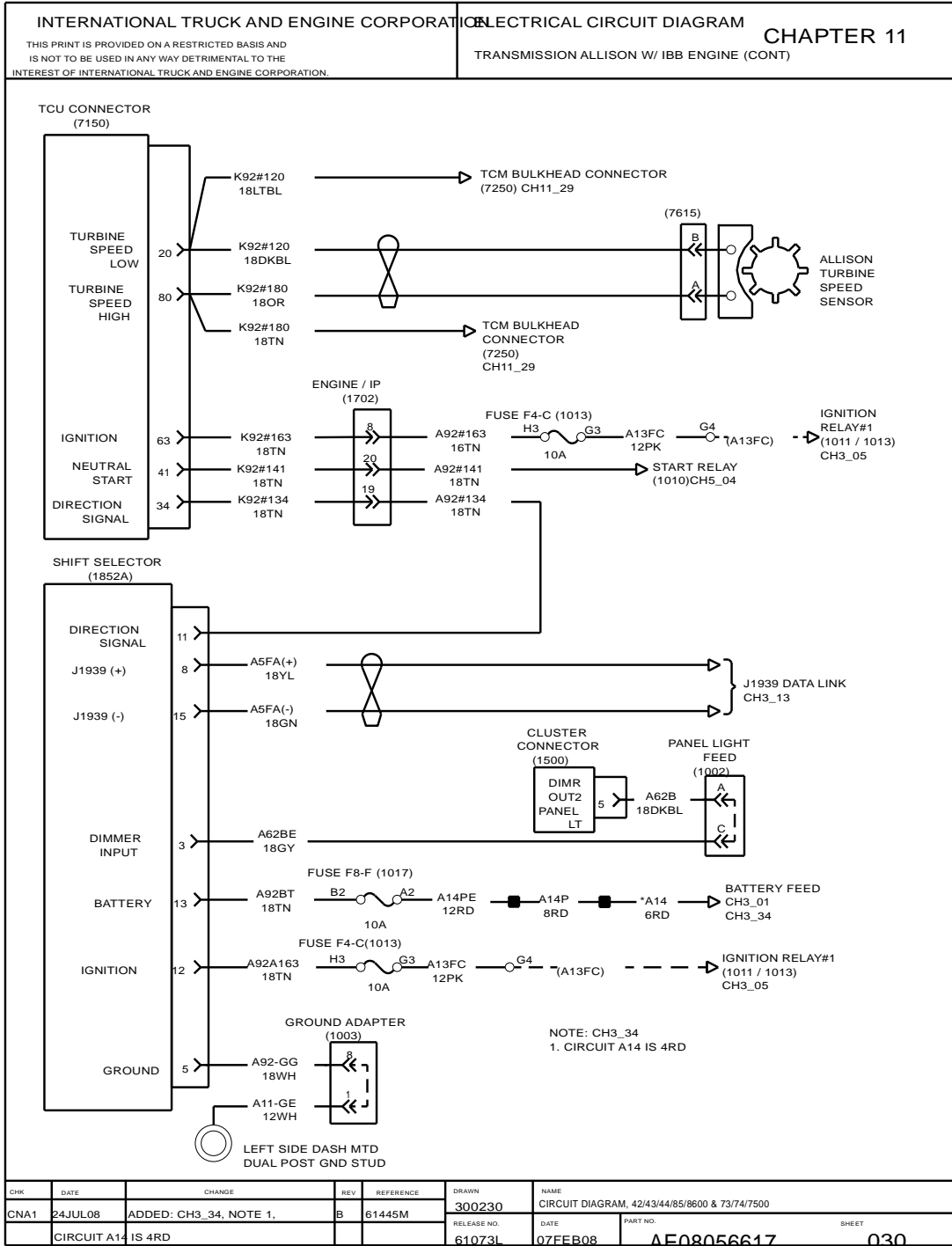


Figure 248 Transmission Allison with IBB Engine

# AIR CONDITIONING (CHAPTER 12)

## 12.1. AIR CONDITIONING, P. 1

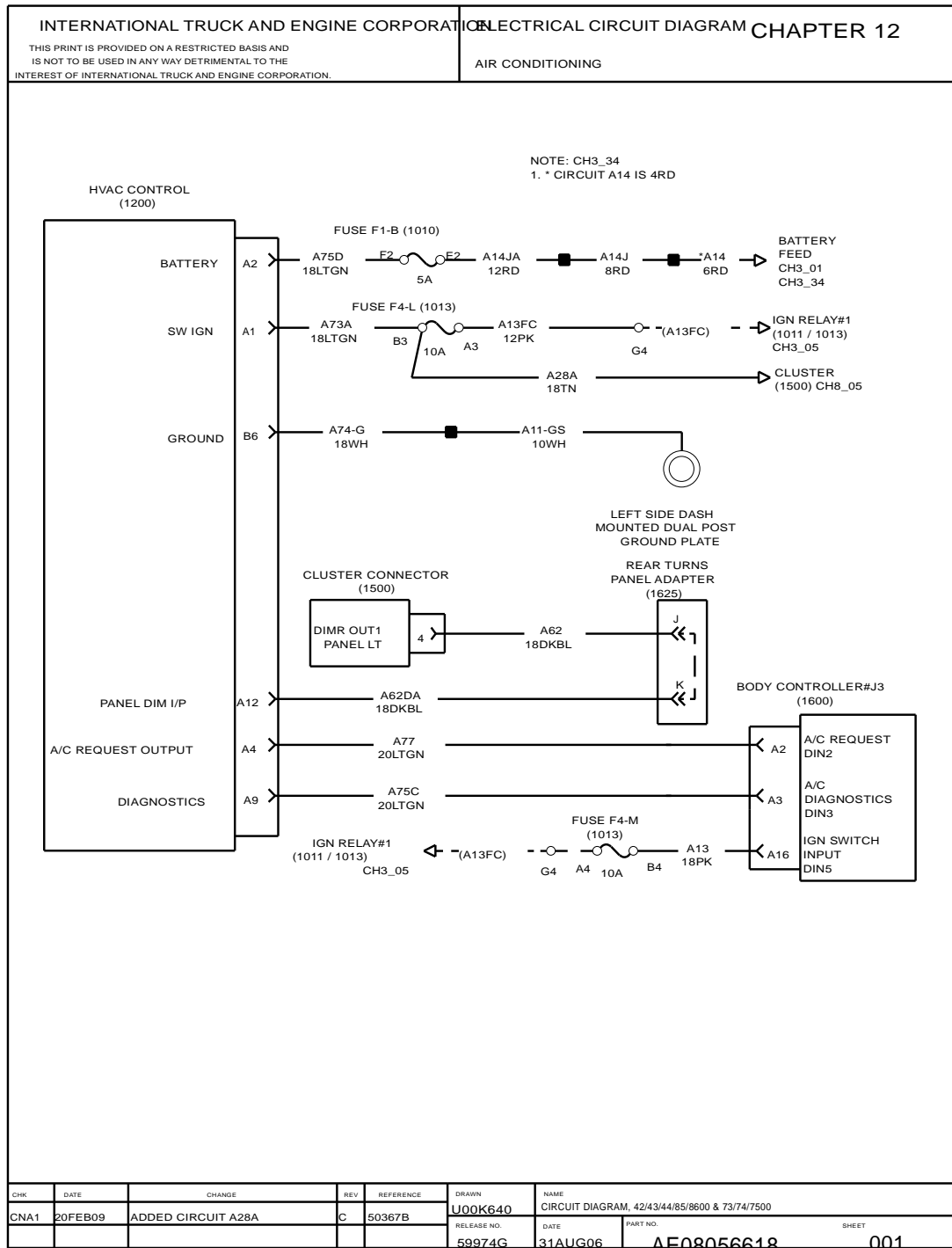


Figure 249 Air Conditioning

12.2. AIR CONDITIONING, P. 2

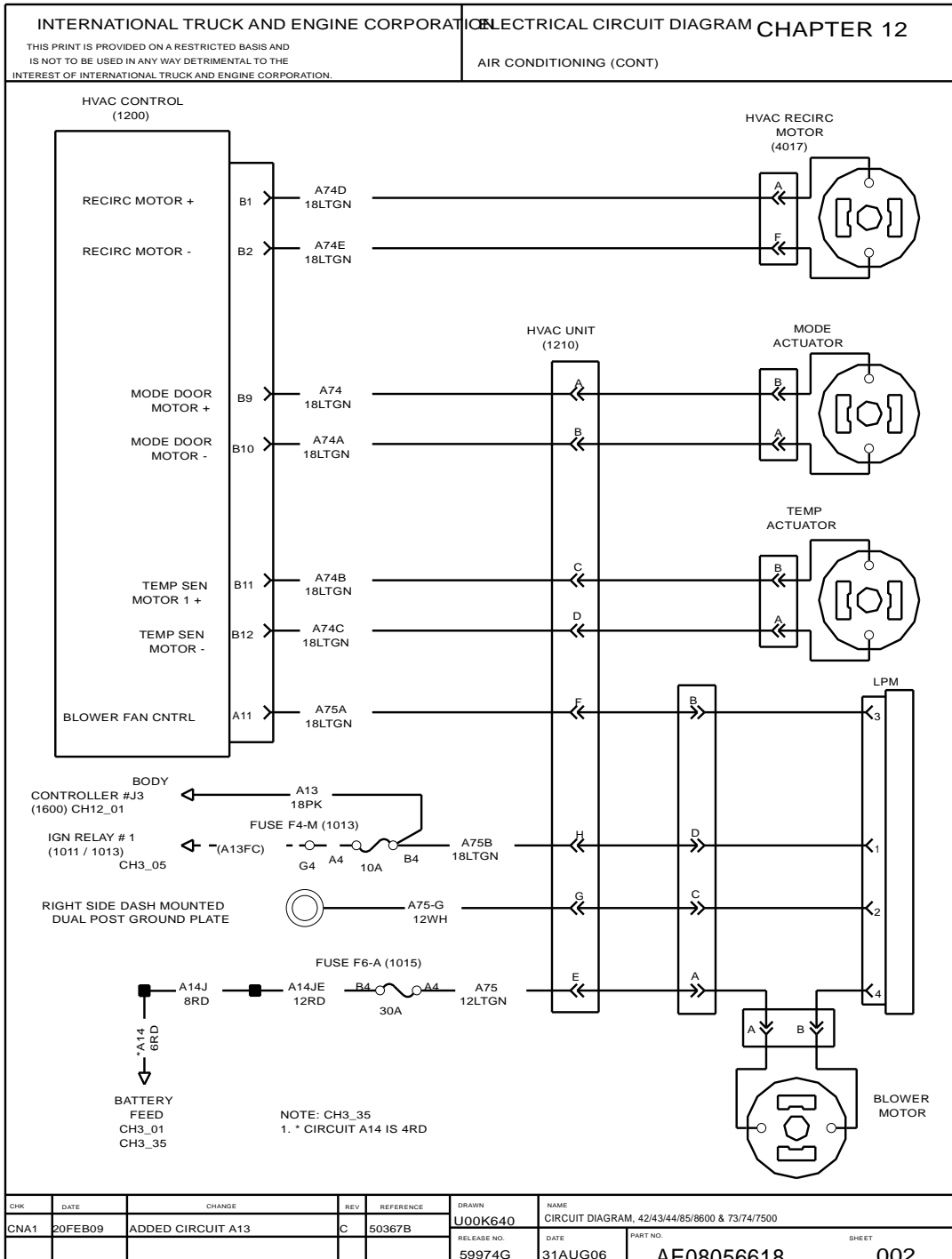


Figure 250 Air Conditioning (Cont.)

12.3. HVAC SYSTEM, P. 3

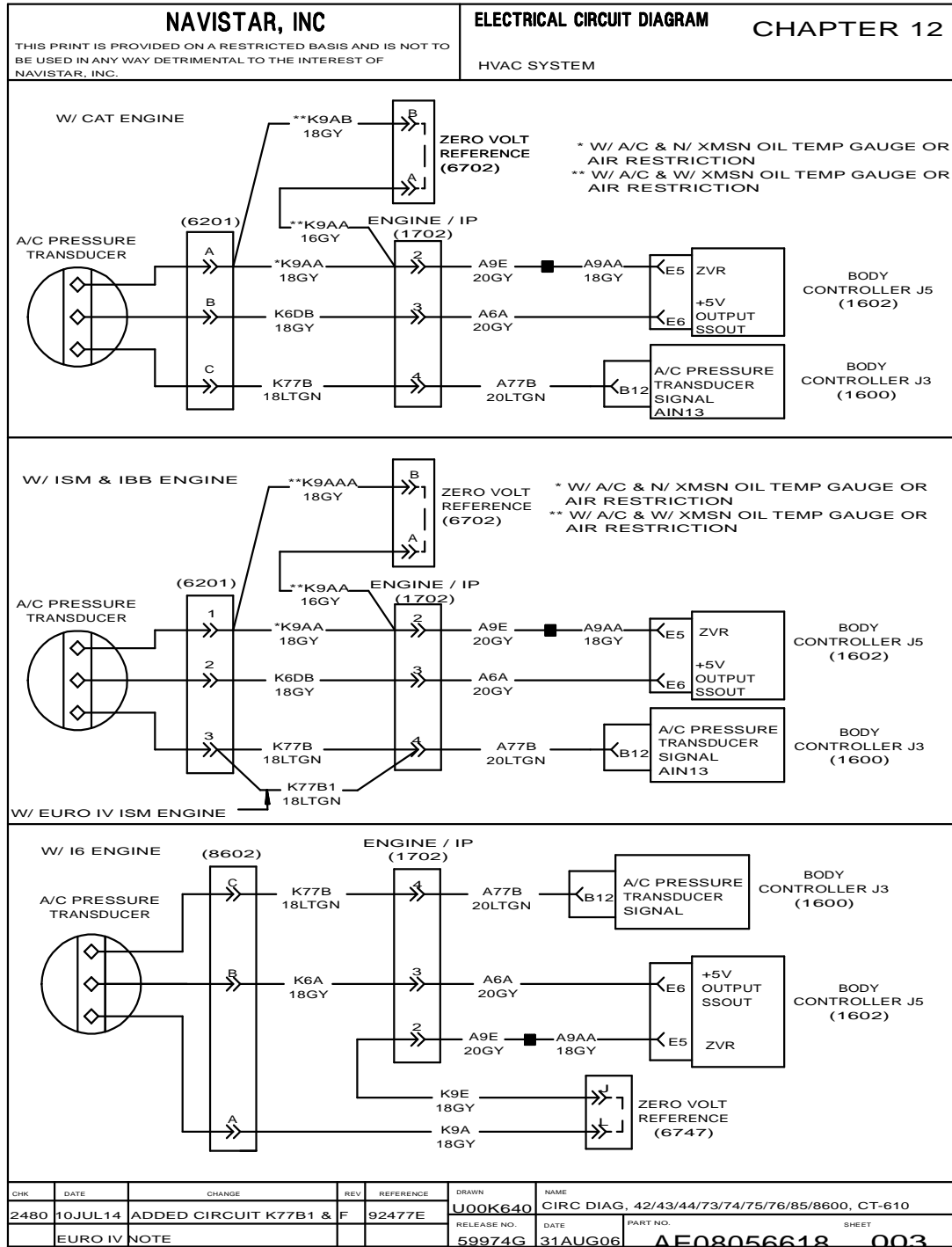


Figure 251 HVAC System

12.4. HVAC SYSTEM (CONT.), P. 4

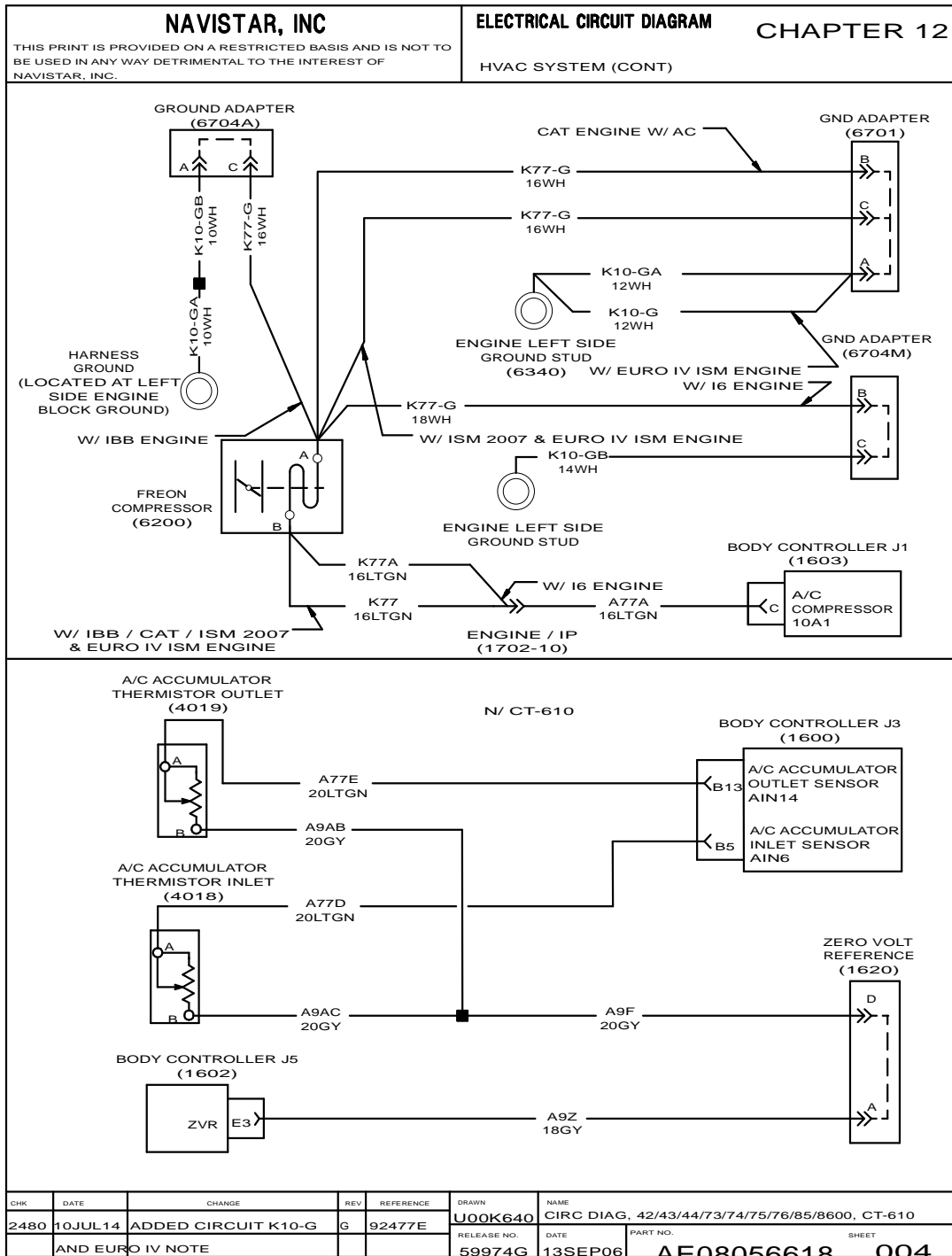


Figure 252 HVAC System (Cont.)



12.5. HVAC SYSTEM (CONT.), P. 5

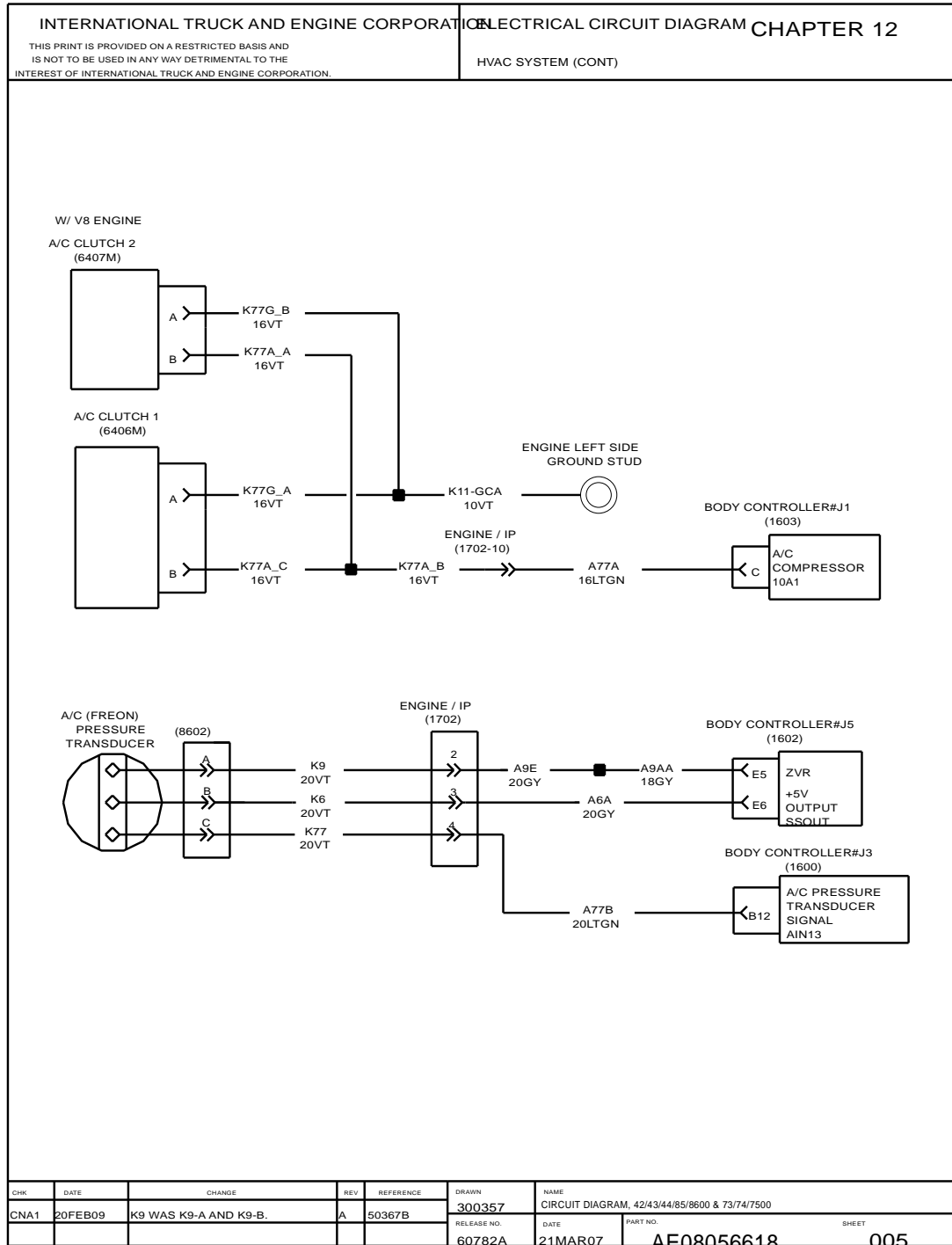


Figure 253 HVAC System (Cont.)

12.6. AUTOTHERM SYSTEM, P. 6

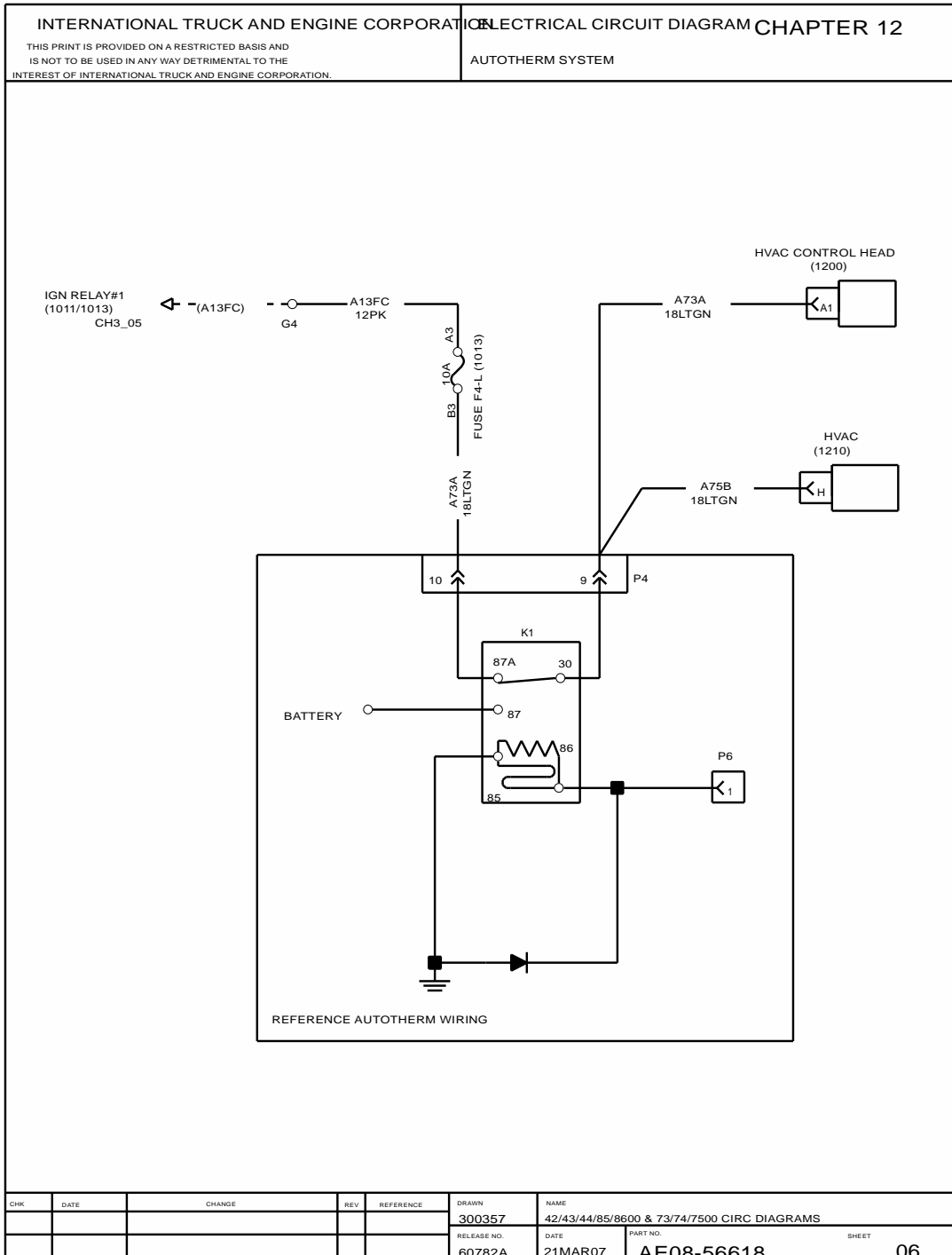


Figure 254 Autotherm System

## CONNECTOR COMPOSITES (CHAPTER 13)

### 13.1. CONNECTOR COMPOSITES (1J), (2J), (71), P. 1

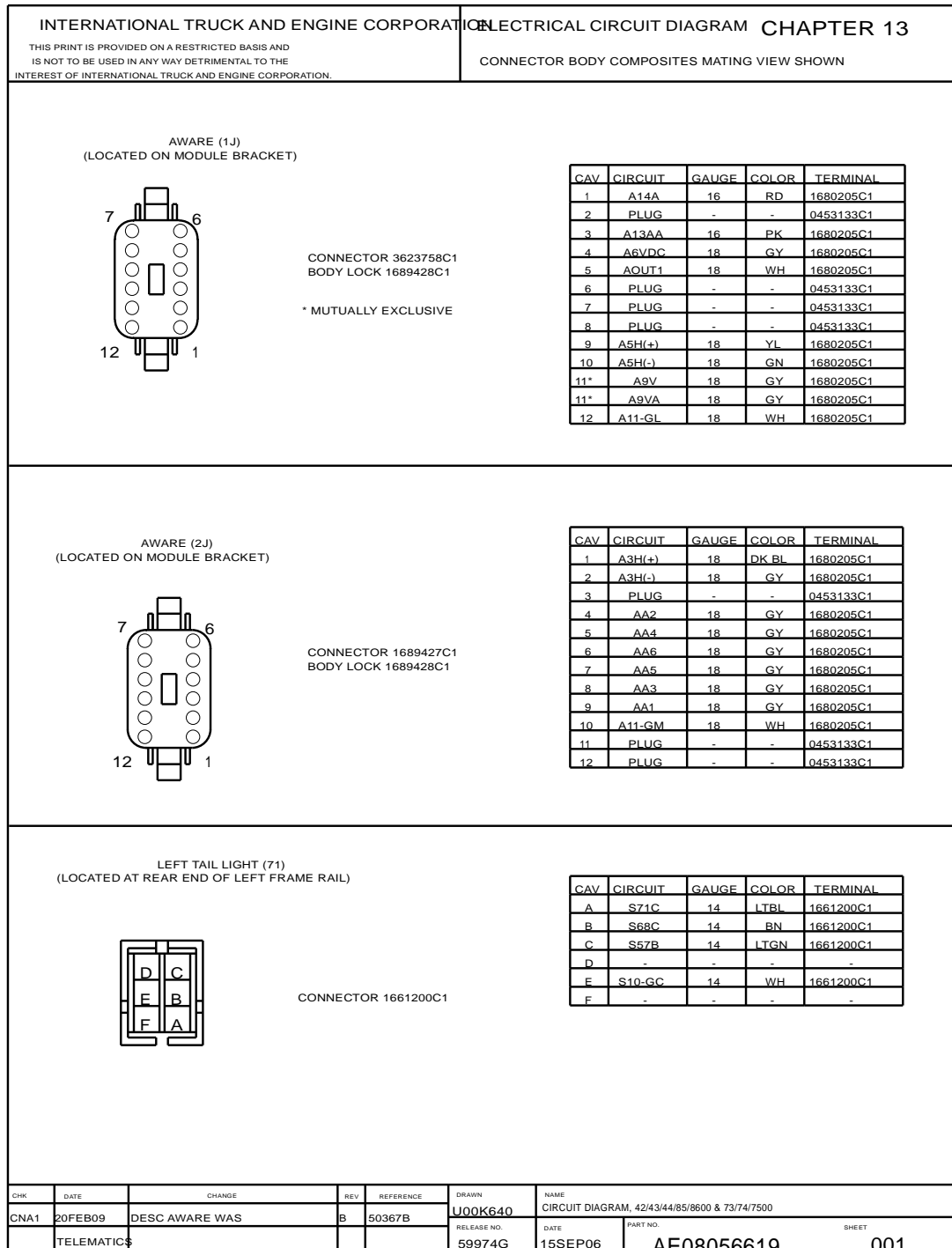


Figure 255 Connector Composites (1J), (2J), (71)

13.2. CONNECTOR COMPOSITES (72), (254F), (254M), (345), (400), P. 2

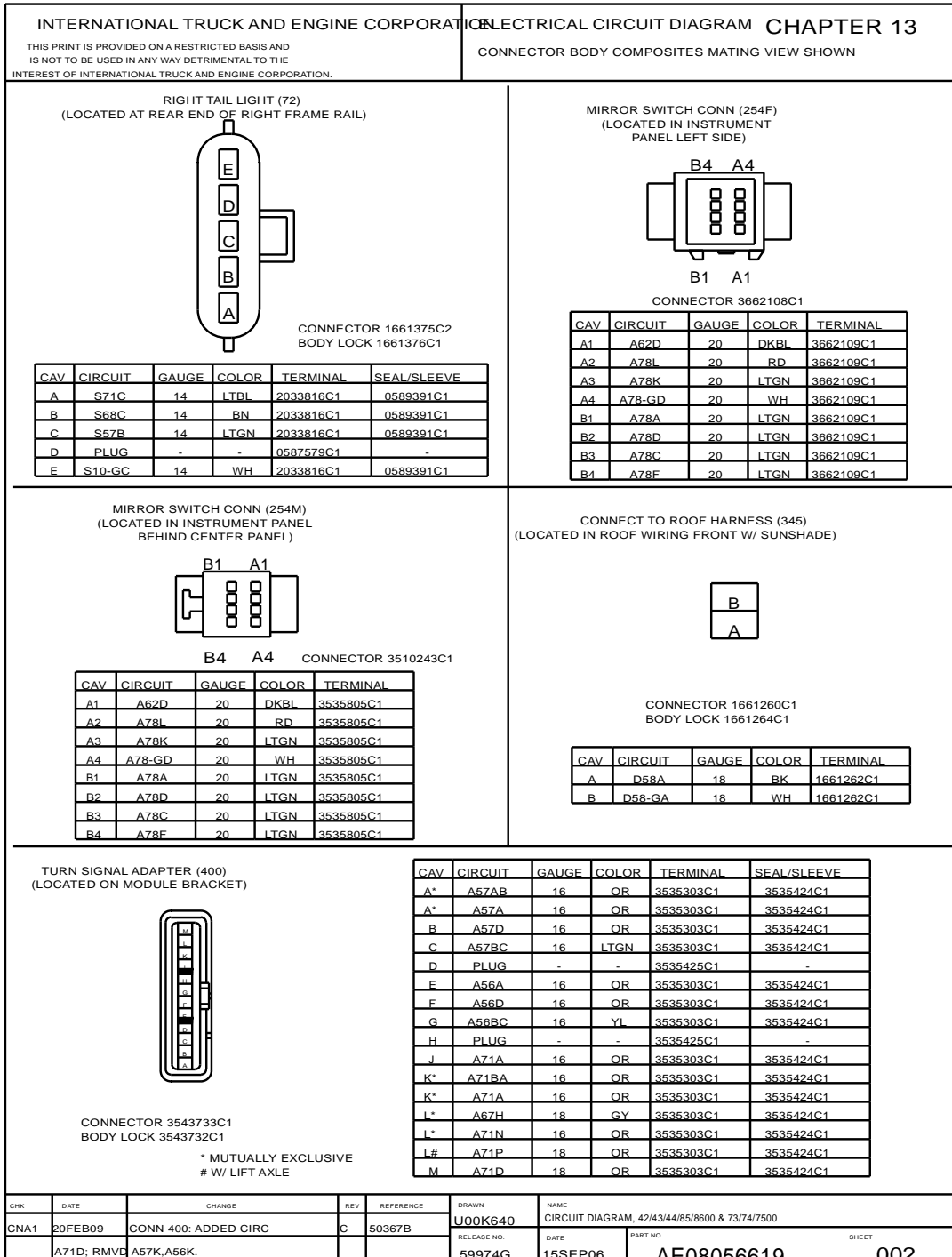


Figure 256 Connector Composites (72), (254F), (254M), (345), (400)

13.3. CONNECTOR COMPOSITES (421), (422), (422F), (423), (424), (425), P. 3

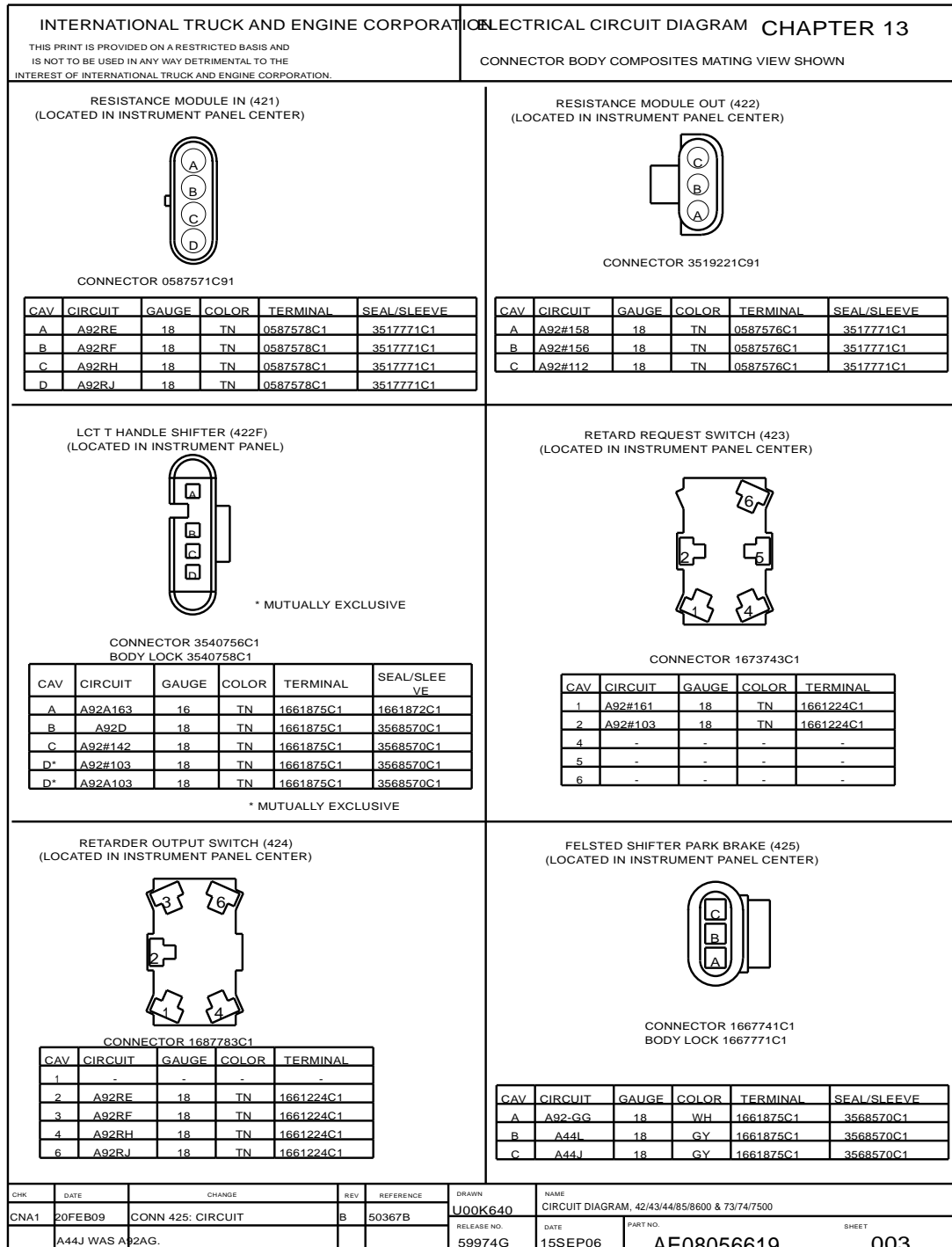


Figure 257 Connector Composites (421), (422), (422F), (423), (424), (425)

13.4. CONNECTOR COMPOSITES (520), (521), (522), (523), (524), (670A), P. 4






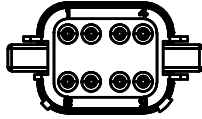
<b>NAVISTAR, INC</b>				<b>ELECTRICAL CIRCUIT DIAGRAM</b>				<b>CHAPTER 13</b>																																																																									
THIS PRINT IS PROVIDED ON A RESTRICTED BASIS AND IS NOT TO BE USED IN ANY WAY DETRIMENTAL TO THE INTEREST OF NAVISTAR, INC.				CONNECTOR BODY COMPOSITES MATING VIEW SHOWN																																																																													
CLEARANCE LIGHT (520) (LOCATED IN SUNSHADE)						CLEARANCE LIGHT (521) (LOCATED IN SUNSHADE)																																																																											
																																																																																	
CONNECTOR 1661259C1 BODY LOCK 1661263C1						CONNECTOR 1661259C1 BODY LOCK 1661263C1																																																																											
<table border="1" style="width:100%; border-collapse: collapse; font-size: x-small;"> <thead> <tr> <th>CAV</th> <th>CIRCUIT</th> <th>GAUGE</th> <th>COLOR</th> <th>TERMINAL</th> </tr> </thead> <tbody> <tr> <td>A</td> <td>D58B</td> <td>18</td> <td>BN</td> <td>1661261C1</td> </tr> <tr> <td>B</td> <td>D58-GB</td> <td>18</td> <td>WH</td> <td>1661261C1</td> </tr> </tbody> </table>						CAV	CIRCUIT	GAUGE	COLOR	TERMINAL	A	D58B	18	BN	1661261C1	B	D58-GB	18	WH	1661261C1	<table border="1" style="width:100%; border-collapse: collapse; font-size: x-small;"> <thead> <tr> <th>CAV</th> <th>CIRCUIT</th> <th>GAUGE</th> <th>COLOR</th> <th>TERMINAL</th> </tr> </thead> <tbody> <tr> <td>A</td> <td>D58C</td> <td>18</td> <td>BN</td> <td>1661261C1</td> </tr> <tr> <td>B</td> <td>D58-GC</td> <td>18</td> <td>WH</td> <td>1661261C1</td> </tr> </tbody> </table>						CAV	CIRCUIT	GAUGE	COLOR	TERMINAL	A	D58C	18	BN	1661261C1	B	D58-GC	18	WH	1661261C1																																								
CAV	CIRCUIT	GAUGE	COLOR	TERMINAL																																																																													
A	D58B	18	BN	1661261C1																																																																													
B	D58-GB	18	WH	1661261C1																																																																													
CAV	CIRCUIT	GAUGE	COLOR	TERMINAL																																																																													
A	D58C	18	BN	1661261C1																																																																													
B	D58-GC	18	WH	1661261C1																																																																													
CLEARANCE LIGHT (522) (LOCATED IN SUNSHADE)						CLEARANCE LIGHT (523) (LOCATED IN SUNSHADE)																																																																											
																																																																																	
CONNECTOR 1661259C1 BODY LOCK 1661263C1						CONNECTOR 1661259C1 BODY LOCK 1661263C1																																																																											
<table border="1" style="width:100%; border-collapse: collapse; font-size: x-small;"> <thead> <tr> <th>CAV</th> <th>CIRCUIT</th> <th>GAUGE</th> <th>COLOR</th> <th>TERMINAL</th> </tr> </thead> <tbody> <tr> <td>A</td> <td>D58D</td> <td>18</td> <td>BN</td> <td>1661261C1</td> </tr> <tr> <td>B</td> <td>D58-GD</td> <td>18</td> <td>WH</td> <td>1661261C1</td> </tr> </tbody> </table>						CAV	CIRCUIT	GAUGE	COLOR	TERMINAL	A	D58D	18	BN	1661261C1	B	D58-GD	18	WH	1661261C1	<table border="1" style="width:100%; border-collapse: collapse; font-size: x-small;"> <thead> <tr> <th>CAV</th> <th>CIRCUIT</th> <th>GAUGE</th> <th>COLOR</th> <th>TERMINAL</th> </tr> </thead> <tbody> <tr> <td>A</td> <td>D58E</td> <td>18</td> <td>BN</td> <td>1661261C1</td> </tr> <tr> <td>B</td> <td>D58-GE</td> <td>18</td> <td>WH</td> <td>1661261C1</td> </tr> </tbody> </table>						CAV	CIRCUIT	GAUGE	COLOR	TERMINAL	A	D58E	18	BN	1661261C1	B	D58-GE	18	WH	1661261C1																																								
CAV	CIRCUIT	GAUGE	COLOR	TERMINAL																																																																													
A	D58D	18	BN	1661261C1																																																																													
B	D58-GD	18	WH	1661261C1																																																																													
CAV	CIRCUIT	GAUGE	COLOR	TERMINAL																																																																													
A	D58E	18	BN	1661261C1																																																																													
B	D58-GE	18	WH	1661261C1																																																																													
CLEARANCE LIGHT (524) (LOCATED IN SUNSHADE)						AFTERTREATMENT CONNECTOR (670A) (LOCATED ON RIGHT FRAME RAIL ABOVE EXHAUST GAS PROCESSOR)																																																																											
																																																																																	
CONNECTOR 1661259C1 BODY LOCK 1661263C1						* ULTRASHIFT XMSN & MANUAL XMSN  W/ EURO IV ISM ENGINE																																																																											
CONNECTOR 1661259C1 BODY LOCK 1661263C1						CONNECTOR 3755935C1 BODY LOCK 3755937C1																																																																											
<table border="1" style="width:100%; border-collapse: collapse; font-size: x-small;"> <thead> <tr> <th>CAV</th> <th>CIRCUIT</th> <th>GAUGE</th> <th>COLOR</th> <th>TERMINAL</th> </tr> </thead> <tbody> <tr> <td>A</td> <td>D58F</td> <td>18</td> <td>BN</td> <td>1661261C1</td> </tr> <tr> <td>B</td> <td>D58-GF</td> <td>18</td> <td>WH</td> <td>1661261C1</td> </tr> </tbody> </table>						CAV	CIRCUIT	GAUGE	COLOR	TERMINAL	A	D58F	18	BN	1661261C1	B	D58-GF	18	WH	1661261C1	<table border="1" style="width:100%; border-collapse: collapse; font-size: x-small;"> <thead> <tr> <th>CAV</th> <th>CIRCUIT</th> <th>GAUGE</th> <th>COLOR</th> <th>TERMINAL</th> </tr> </thead> <tbody> <tr> <td>1&amp;</td> <td>K5R(+)</td> <td>18</td> <td>RD</td> <td>1651969C1</td> </tr> <tr> <td>1*</td> <td>K5RA(+)</td> <td>18</td> <td>PK</td> <td>1651969C1</td> </tr> <tr> <td>2&amp;</td> <td>K5R(-)</td> <td>18</td> <td>WH</td> <td>1651969C1</td> </tr> <tr> <td>2*</td> <td>K5RA(-)</td> <td>18</td> <td>DKBL</td> <td>1651969C1</td> </tr> <tr> <td>3</td> <td>V13-GA</td> <td>18</td> <td>BK</td> <td>1651969C1</td> </tr> <tr> <td>4</td> <td>K97A</td> <td>18</td> <td>TN</td> <td>1651969C1</td> </tr> <tr> <td>5</td> <td>K97-GA</td> <td>18</td> <td>WH</td> <td>1651969C1</td> </tr> <tr> <td>6</td> <td>K97B</td> <td>18</td> <td>TN</td> <td>1651969C1</td> </tr> <tr> <td>7</td> <td>K97-GB</td> <td>18</td> <td>WH</td> <td>1651969C1</td> </tr> <tr> <td>8</td> <td>V13A</td> <td>18</td> <td>RD</td> <td>1651969C1</td> </tr> </tbody> </table>						CAV	CIRCUIT	GAUGE	COLOR	TERMINAL	1&	K5R(+)	18	RD	1651969C1	1*	K5RA(+)	18	PK	1651969C1	2&	K5R(-)	18	WH	1651969C1	2*	K5RA(-)	18	DKBL	1651969C1	3	V13-GA	18	BK	1651969C1	4	K97A	18	TN	1651969C1	5	K97-GA	18	WH	1651969C1	6	K97B	18	TN	1651969C1	7	K97-GB	18	WH	1651969C1	8	V13A	18	RD	1651969C1
CAV	CIRCUIT	GAUGE	COLOR	TERMINAL																																																																													
A	D58F	18	BN	1661261C1																																																																													
B	D58-GF	18	WH	1661261C1																																																																													
CAV	CIRCUIT	GAUGE	COLOR	TERMINAL																																																																													
1&	K5R(+)	18	RD	1651969C1																																																																													
1*	K5RA(+)	18	PK	1651969C1																																																																													
2&	K5R(-)	18	WH	1651969C1																																																																													
2*	K5RA(-)	18	DKBL	1651969C1																																																																													
3	V13-GA	18	BK	1651969C1																																																																													
4	K97A	18	TN	1651969C1																																																																													
5	K97-GA	18	WH	1651969C1																																																																													
6	K97B	18	TN	1651969C1																																																																													
7	K97-GB	18	WH	1651969C1																																																																													
8	V13A	18	RD	1651969C1																																																																													
CHK	DATE	CHANGE	REV	REFERENCE	DRAWN	NAME																																																																											
2480	10JUL14	SWAPPED CONN 867 TO	D	92477E	U01A119	CIRC DIAG, 42/43/44/73/74/75/76/85/8600, CT-610																																																																											
					RELEASE NO.	DATE	PART NO.	SHEET																																																																									
					59974G	15SEP06	AE08056619 004																																																																										
SHEET 04		A & ADDED CONN 670A																																																																															

Figure 258 Connector Composites (520), (521), (522), (523), (524), (670A)

13.5. CONNECTOR COMPOSITES (672M), (674), (674M), (675), (675M), (677), P. 4A

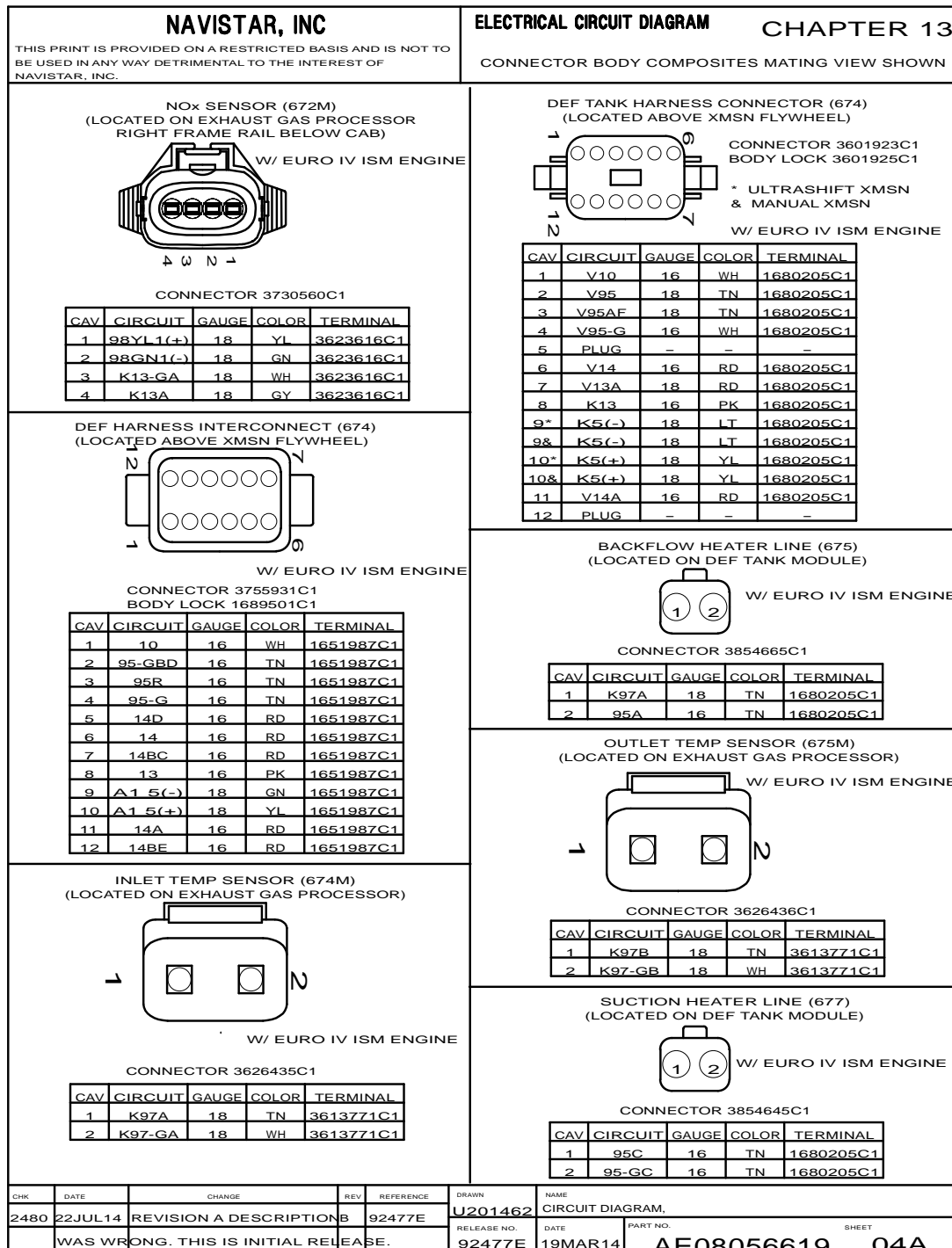


Figure 259 Connector Composites (672M), (674), (674M), (675), (675M), (677)

13.6. CONNECTOR COMPOSITES (677F), (678), (679), (680), P. 4B

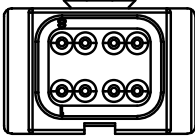
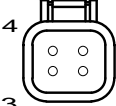
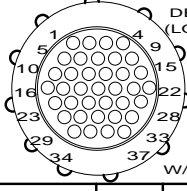
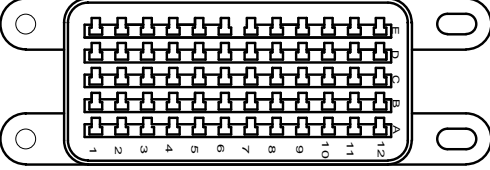
<b>NAVISTAR, INC</b>		<b>ELECTRICAL CIRCUIT DIAGRAM</b>		<b>CHAPTER 13</b>																																																																																																																																																																																																																																																																					
THIS PRINT IS PROVIDED ON A RESTRICTED BASIS AND IS NOT TO BE USED IN ANY WAY DETRIMENTAL TO THE INTEREST OF NAVISTAR, INC.		CONNECTOR BODY COMPOSITES MATING VIEW SHOWN																																																																																																																																																																																																																																																																							
<p style="text-align: center;">AFTERTREATMENT INTERCONNECT (677F) (LOCATED ON RIGHT FRAME RAIL ABOVE EXHAUST GAS PROCESSOR)</p>  <p style="text-align: center;">CONNECTOR 3755934C1 W/ EURO IV ISM ENGINE</p> <table border="1" style="width:100%; border-collapse: collapse; font-size: x-small;"> <thead> <tr> <th>CAV</th> <th>CIRCUIT</th> <th>GAUGE</th> <th>COLOR</th> <th>TERMINAL</th> </tr> </thead> <tbody> <tr><td>1</td><td>98YL1(+)</td><td>18</td><td>YL</td><td>1651968C1</td></tr> <tr><td>2</td><td>98GN1(-)</td><td>18</td><td>GN</td><td>1651968C1</td></tr> <tr><td>3</td><td>K13-GA</td><td>18</td><td>WH</td><td>1651968C1</td></tr> <tr><td>4</td><td>K97A</td><td>18</td><td>TN</td><td>1651968C1</td></tr> <tr><td>5</td><td>K97-GA</td><td>18</td><td>WH</td><td>1651968C1</td></tr> <tr><td>6</td><td>K97B</td><td>18</td><td>TN</td><td>1651968C1</td></tr> <tr><td>7</td><td>K97-GB</td><td>18</td><td>WH</td><td>1651968C1</td></tr> <tr><td>8</td><td>K13A</td><td>18</td><td>GY</td><td>1651968C1</td></tr> </tbody> </table>		CAV	CIRCUIT	GAUGE	COLOR	TERMINAL	1	98YL1(+)	18	YL	1651968C1	2	98GN1(-)	18	GN	1651968C1	3	K13-GA	18	WH	1651968C1	4	K97A	18	TN	1651968C1	5	K97-GA	18	WH	1651968C1	6	K97B	18	TN	1651968C1	7	K97-GB	18	WH	1651968C1	8	K13A	18	GY	1651968C1	<p style="text-align: center;">TANK SENSOR TEMP/LEVEL (678) (LOCATED ON DEF TANK LEFT FRAME RAIL BEHIND CABIN)</p>  <p style="text-align: center;">CONNECTOR 3991593C1 BODY LOCK 3545579C1 W/ EURO IV ISM ENGINE</p> <table border="1" style="width:100%; border-collapse: collapse; font-size: x-small;"> <thead> <tr> <th>CAV</th> <th>CIRCUIT</th> <th>GAUGE</th> <th>COLOR</th> <th>TERMINAL</th> </tr> </thead> <tbody> <tr><td>1</td><td>A2 5A(-)</td><td>18</td><td>GN</td><td>3572625C1</td></tr> <tr><td>2</td><td>A2 5A(+)</td><td>18</td><td>YL</td><td>3572625C1</td></tr> <tr><td>3</td><td>10GB</td><td>16</td><td>WH</td><td>3572625C1</td></tr> <tr><td>4</td><td>13AB</td><td>16</td><td>PK</td><td>3572625C1</td></tr> </tbody> </table>		CAV	CIRCUIT	GAUGE	COLOR	TERMINAL	1	A2 5A(-)	18	GN	3572625C1	2	A2 5A(+)	18	YL	3572625C1	3	10GB	16	WH	3572625C1	4	13AB	16	PK	3572625C1	<p style="text-align: center;">DEF DOSER PUMP (680) (LOCATED ON DEF TANK BEHIND CABIN)</p>  <p style="text-align: center;">CONNECTOR 3730724C1 W/ EURO IV ISM ENGINE</p> <table border="1" style="width:100%; border-collapse: collapse; font-size: x-small;"> <thead> <tr> <th>CAV</th> <th>CIRCUIT</th> <th>GAUGE</th> <th>COLOR</th> <th>TERMINAL</th> </tr> </thead> <tbody> <tr><td>1</td><td>PLUG</td><td>-</td><td>-</td><td>-</td></tr> <tr><td>2</td><td>PLUG</td><td>-</td><td>-</td><td>-</td></tr> <tr><td>3</td><td>PLUG</td><td>-</td><td>-</td><td>-</td></tr> <tr><td>4</td><td>PLUG</td><td>-</td><td>-</td><td>-</td></tr> <tr><td>5</td><td>PLUG</td><td>-</td><td>-</td><td>-</td></tr> <tr><td>6</td><td>PLUG</td><td>-</td><td>-</td><td>-</td></tr> <tr><td>7</td><td>PLUG</td><td>-</td><td>-</td><td>-</td></tr> <tr><td>8</td><td>PLUG</td><td>-</td><td>-</td><td>-</td></tr> <tr><td>9</td><td>PLUG</td><td>-</td><td>-</td><td>-</td></tr> <tr><td>10</td><td>PLUG</td><td>-</td><td>-</td><td>-</td></tr> <tr><td>11</td><td>PLUG</td><td>-</td><td>-</td><td>-</td></tr> <tr><td>12</td><td>PLUG</td><td>-</td><td>-</td><td>-</td></tr> <tr><td>13</td><td>PLUG</td><td>-</td><td>-</td><td>-</td></tr> <tr><td>14</td><td>PLUG</td><td>-</td><td>-</td><td>-</td></tr> <tr><td>15</td><td>PLUG</td><td>-</td><td>-</td><td>-</td></tr> <tr><td>16</td><td>14AB</td><td>18</td><td>RD</td><td>3730741C1</td></tr> <tr><td>17</td><td>PLUG</td><td>-</td><td>-</td><td>-</td></tr> <tr><td>18</td><td>PLUG</td><td>-</td><td>-</td><td>-</td></tr> <tr><td>19</td><td>PLUG</td><td>-</td><td>-</td><td>-</td></tr> <tr><td>20</td><td>PLUG</td><td>-</td><td>-</td><td>-</td></tr> <tr><td>21</td><td>PLUG</td><td>-</td><td>-</td><td>-</td></tr> <tr><td>22</td><td>A5 5C(-)</td><td>20</td><td>GN</td><td>3734724C1</td></tr> <tr><td>23</td><td>10GA</td><td>18</td><td>WH</td><td>3730741C1</td></tr> <tr><td>24</td><td>PLUG</td><td>-</td><td>-</td><td>-</td></tr> <tr><td>25</td><td>PLUG</td><td>-</td><td>-</td><td>-</td></tr> <tr><td>26</td><td>PLUG</td><td>-</td><td>-</td><td>-</td></tr> <tr><td>27</td><td>PLUG</td><td>-</td><td>-</td><td>-</td></tr> <tr><td>28</td><td>A5 5C(+)</td><td>20</td><td>YL</td><td>3734724C1</td></tr> <tr><td>29</td><td>PLUG</td><td>-</td><td>-</td><td>-</td></tr> <tr><td>30</td><td>PLUG</td><td>-</td><td>-</td><td>-</td></tr> <tr><td>31</td><td>PLUG</td><td>-</td><td>-</td><td>-</td></tr> <tr><td>32</td><td>PLUG</td><td>-</td><td>-</td><td>-</td></tr> <tr><td>33</td><td>PLUG</td><td>-</td><td>-</td><td>-</td></tr> <tr><td>34</td><td>13AA</td><td>18</td><td>PK</td><td>3730741C1</td></tr> <tr><td>35</td><td>59</td><td>18</td><td>GY</td><td>3730741C1</td></tr> <tr><td>36</td><td>59-G</td><td>18</td><td>WH</td><td>3730741C1</td></tr> <tr><td>37</td><td>PLUG</td><td>-</td><td>-</td><td>-</td></tr> </tbody> </table>		CAV	CIRCUIT	GAUGE	COLOR	TERMINAL	1	PLUG	-	-	-	2	PLUG	-	-	-	3	PLUG	-	-	-	4	PLUG	-	-	-	5	PLUG	-	-	-	6	PLUG	-	-	-	7	PLUG	-	-	-	8	PLUG	-	-	-	9	PLUG	-	-	-	10	PLUG	-	-	-	11	PLUG	-	-	-	12	PLUG	-	-	-	13	PLUG	-	-	-	14	PLUG	-	-	-	15	PLUG	-	-	-	16	14AB	18	RD	3730741C1	17	PLUG	-	-	-	18	PLUG	-	-	-	19	PLUG	-	-	-	20	PLUG	-	-	-	21	PLUG	-	-	-	22	A5 5C(-)	20	GN	3734724C1	23	10GA	18	WH	3730741C1	24	PLUG	-	-	-	25	PLUG	-	-	-	26	PLUG	-	-	-	27	PLUG	-	-	-	28	A5 5C(+)	20	YL	3734724C1	29	PLUG	-	-	-	30	PLUG	-	-	-	31	PLUG	-	-	-	32	PLUG	-	-	-	33	PLUG	-	-	-	34	13AA	18	PK	3730741C1	35	59	18	GY	3730741C1	36	59-G	18	WH	3730741C1	37	PLUG	-	-	-
CAV	CIRCUIT	GAUGE	COLOR	TERMINAL																																																																																																																																																																																																																																																																					
1	98YL1(+)	18	YL	1651968C1																																																																																																																																																																																																																																																																					
2	98GN1(-)	18	GN	1651968C1																																																																																																																																																																																																																																																																					
3	K13-GA	18	WH	1651968C1																																																																																																																																																																																																																																																																					
4	K97A	18	TN	1651968C1																																																																																																																																																																																																																																																																					
5	K97-GA	18	WH	1651968C1																																																																																																																																																																																																																																																																					
6	K97B	18	TN	1651968C1																																																																																																																																																																																																																																																																					
7	K97-GB	18	WH	1651968C1																																																																																																																																																																																																																																																																					
8	K13A	18	GY	1651968C1																																																																																																																																																																																																																																																																					
CAV	CIRCUIT	GAUGE	COLOR	TERMINAL																																																																																																																																																																																																																																																																					
1	A2 5A(-)	18	GN	3572625C1																																																																																																																																																																																																																																																																					
2	A2 5A(+)	18	YL	3572625C1																																																																																																																																																																																																																																																																					
3	10GB	16	WH	3572625C1																																																																																																																																																																																																																																																																					
4	13AB	16	PK	3572625C1																																																																																																																																																																																																																																																																					
CAV	CIRCUIT	GAUGE	COLOR	TERMINAL																																																																																																																																																																																																																																																																					
1	PLUG	-	-	-																																																																																																																																																																																																																																																																					
2	PLUG	-	-	-																																																																																																																																																																																																																																																																					
3	PLUG	-	-	-																																																																																																																																																																																																																																																																					
4	PLUG	-	-	-																																																																																																																																																																																																																																																																					
5	PLUG	-	-	-																																																																																																																																																																																																																																																																					
6	PLUG	-	-	-																																																																																																																																																																																																																																																																					
7	PLUG	-	-	-																																																																																																																																																																																																																																																																					
8	PLUG	-	-	-																																																																																																																																																																																																																																																																					
9	PLUG	-	-	-																																																																																																																																																																																																																																																																					
10	PLUG	-	-	-																																																																																																																																																																																																																																																																					
11	PLUG	-	-	-																																																																																																																																																																																																																																																																					
12	PLUG	-	-	-																																																																																																																																																																																																																																																																					
13	PLUG	-	-	-																																																																																																																																																																																																																																																																					
14	PLUG	-	-	-																																																																																																																																																																																																																																																																					
15	PLUG	-	-	-																																																																																																																																																																																																																																																																					
16	14AB	18	RD	3730741C1																																																																																																																																																																																																																																																																					
17	PLUG	-	-	-																																																																																																																																																																																																																																																																					
18	PLUG	-	-	-																																																																																																																																																																																																																																																																					
19	PLUG	-	-	-																																																																																																																																																																																																																																																																					
20	PLUG	-	-	-																																																																																																																																																																																																																																																																					
21	PLUG	-	-	-																																																																																																																																																																																																																																																																					
22	A5 5C(-)	20	GN	3734724C1																																																																																																																																																																																																																																																																					
23	10GA	18	WH	3730741C1																																																																																																																																																																																																																																																																					
24	PLUG	-	-	-																																																																																																																																																																																																																																																																					
25	PLUG	-	-	-																																																																																																																																																																																																																																																																					
26	PLUG	-	-	-																																																																																																																																																																																																																																																																					
27	PLUG	-	-	-																																																																																																																																																																																																																																																																					
28	A5 5C(+)	20	YL	3734724C1																																																																																																																																																																																																																																																																					
29	PLUG	-	-	-																																																																																																																																																																																																																																																																					
30	PLUG	-	-	-																																																																																																																																																																																																																																																																					
31	PLUG	-	-	-																																																																																																																																																																																																																																																																					
32	PLUG	-	-	-																																																																																																																																																																																																																																																																					
33	PLUG	-	-	-																																																																																																																																																																																																																																																																					
34	13AA	18	PK	3730741C1																																																																																																																																																																																																																																																																					
35	59	18	GY	3730741C1																																																																																																																																																																																																																																																																					
36	59-G	18	WH	3730741C1																																																																																																																																																																																																																																																																					
37	PLUG	-	-	-																																																																																																																																																																																																																																																																					
<p style="text-align: center;">AFTERTREATMENT PDM (679) (LOCATED ON DEF TANK LEFT FRAME RAIL BEHIND CABIN)</p>  <p style="text-align: center;">CONNECTOR 6107899C92 W/ EURO IV ISM ENGINE</p> <table border="1" style="width:100%; border-collapse: collapse; font-size: x-small;"> <thead> <tr> <th>CAV</th> <th>CIRCUIT</th> <th>GAUGE</th> <th>COLOR</th> <th>TERMINAL</th> </tr> </thead> <tbody> <tr><td>A1</td><td>95AA</td><td>16</td><td>TN</td><td>2033819C1</td></tr> <tr><td>A2</td><td>95RA</td><td>16</td><td>TN</td><td>2033819C1</td></tr> <tr><td>A3</td><td>95CC</td><td>16</td><td>TN</td><td>2033819C1</td></tr> <tr><td>A4</td><td>95RC</td><td>16</td><td>TN</td><td>2033819C1</td></tr> <tr><td>A5</td><td>14B</td><td>16</td><td>RD</td><td>2033819C1</td></tr> <tr><td>A6</td><td>10TB</td><td>16</td><td>WH</td><td>2033819C1</td></tr> <tr><td>A7</td><td>14CA</td><td>16</td><td>RD</td><td>2033819C1</td></tr> <tr><td>A8</td><td>10TA</td><td>16</td><td>WH</td><td>2033819C1</td></tr> <tr><td>B1</td><td>95-GBA</td><td>16</td><td>TN</td><td>2033819C1</td></tr> <tr><td>B2</td><td>95A</td><td>16</td><td>TN</td><td>2033819C1</td></tr> <tr><td>B3</td><td>95-GBC</td><td>16</td><td>TN</td><td>2033819C1</td></tr> <tr><td>B4</td><td>95C</td><td>16</td><td>TN</td><td>2033819C1</td></tr> <tr><td>B5</td><td>13B</td><td>16</td><td>PK</td><td>2033819C1</td></tr> <tr><td>B6</td><td>14BA</td><td>16</td><td>RD</td><td>2033819C1</td></tr> <tr><td>B7</td><td>13C</td><td>20</td><td>PK</td><td>2033819C1</td></tr> <tr><td>B8</td><td>13A</td><td>16</td><td>PK</td><td>2033819C1</td></tr> <tr><td>C1</td><td>14D</td><td>16</td><td>RD</td><td>2033819C1</td></tr> <tr><td>C10</td><td>14BD</td><td>16</td><td>RD</td><td>2033819C1</td></tr> <tr><td>C2</td><td>95AC</td><td>16</td><td>TN</td><td>2033819C1</td></tr> <tr><td>C3</td><td>14</td><td>16</td><td>RD</td><td>2033819C1</td></tr> <tr><td>C4</td><td>14AA</td><td>16</td><td>RD</td><td>2033819C1</td></tr> <tr><td>C5</td><td>14BC</td><td>16</td><td>RD</td><td>2033819C1</td></tr> <tr><td>C6</td><td>14BB</td><td>16</td><td>RD</td><td>2033819C1</td></tr> <tr><td>C7</td><td>14C</td><td>16</td><td>RD</td><td>2033819C1</td></tr> <tr><td>C9</td><td>14BE</td><td>16</td><td>RD</td><td>2033819C1</td></tr> </tbody> </table>		CAV	CIRCUIT	GAUGE	COLOR	TERMINAL	A1	95AA	16	TN	2033819C1	A2	95RA	16	TN	2033819C1	A3	95CC	16	TN	2033819C1	A4	95RC	16	TN	2033819C1	A5	14B	16	RD	2033819C1	A6	10TB	16	WH	2033819C1	A7	14CA	16	RD	2033819C1	A8	10TA	16	WH	2033819C1	B1	95-GBA	16	TN	2033819C1	B2	95A	16	TN	2033819C1	B3	95-GBC	16	TN	2033819C1	B4	95C	16	TN	2033819C1	B5	13B	16	PK	2033819C1	B6	14BA	16	RD	2033819C1	B7	13C	20	PK	2033819C1	B8	13A	16	PK	2033819C1	C1	14D	16	RD	2033819C1	C10	14BD	16	RD	2033819C1	C2	95AC	16	TN	2033819C1	C3	14	16	RD	2033819C1	C4	14AA	16	RD	2033819C1	C5	14BC	16	RD	2033819C1	C6	14BB	16	RD	2033819C1	C7	14C	16	RD	2033819C1	C9	14BE	16	RD	2033819C1	<table border="1" style="width:100%; border-collapse: collapse; font-size: x-small;"> <thead> <tr> <th>CHK</th> <th>DATE</th> <th>CHANGE</th> <th>REV</th> <th>REFERENCE</th> <th>DRAWN</th> <th>NAME</th> </tr> </thead> <tbody> <tr> <td>2480</td> <td>10JUL14</td> <td>INITIAL RELEASE</td> <td>A</td> <td>92477E</td> <td>U201462</td> <td>CIRC DIAG, 42/43/44/73/74/75/76/85/8600, CT-610</td> </tr> <tr> <td></td> <td></td> <td></td> <td></td> <td></td> <td>RELEASE NO.</td> <td>DATE</td> </tr> <tr> <td></td> <td></td> <td></td> <td></td> <td></td> <td>92477E</td> <td>24MAR14</td> </tr> <tr> <td></td> <td></td> <td></td> <td></td> <td></td> <td>PART NO.</td> <td>SHEET</td> </tr> <tr> <td></td> <td></td> <td></td> <td></td> <td></td> <td>AE08056619</td> <td>04B</td> </tr> </tbody> </table>		CHK	DATE	CHANGE	REV	REFERENCE	DRAWN	NAME	2480	10JUL14	INITIAL RELEASE	A	92477E	U201462	CIRC DIAG, 42/43/44/73/74/75/76/85/8600, CT-610						RELEASE NO.	DATE						92477E	24MAR14						PART NO.	SHEET						AE08056619	04B																																																																																										
CAV	CIRCUIT	GAUGE	COLOR	TERMINAL																																																																																																																																																																																																																																																																					
A1	95AA	16	TN	2033819C1																																																																																																																																																																																																																																																																					
A2	95RA	16	TN	2033819C1																																																																																																																																																																																																																																																																					
A3	95CC	16	TN	2033819C1																																																																																																																																																																																																																																																																					
A4	95RC	16	TN	2033819C1																																																																																																																																																																																																																																																																					
A5	14B	16	RD	2033819C1																																																																																																																																																																																																																																																																					
A6	10TB	16	WH	2033819C1																																																																																																																																																																																																																																																																					
A7	14CA	16	RD	2033819C1																																																																																																																																																																																																																																																																					
A8	10TA	16	WH	2033819C1																																																																																																																																																																																																																																																																					
B1	95-GBA	16	TN	2033819C1																																																																																																																																																																																																																																																																					
B2	95A	16	TN	2033819C1																																																																																																																																																																																																																																																																					
B3	95-GBC	16	TN	2033819C1																																																																																																																																																																																																																																																																					
B4	95C	16	TN	2033819C1																																																																																																																																																																																																																																																																					
B5	13B	16	PK	2033819C1																																																																																																																																																																																																																																																																					
B6	14BA	16	RD	2033819C1																																																																																																																																																																																																																																																																					
B7	13C	20	PK	2033819C1																																																																																																																																																																																																																																																																					
B8	13A	16	PK	2033819C1																																																																																																																																																																																																																																																																					
C1	14D	16	RD	2033819C1																																																																																																																																																																																																																																																																					
C10	14BD	16	RD	2033819C1																																																																																																																																																																																																																																																																					
C2	95AC	16	TN	2033819C1																																																																																																																																																																																																																																																																					
C3	14	16	RD	2033819C1																																																																																																																																																																																																																																																																					
C4	14AA	16	RD	2033819C1																																																																																																																																																																																																																																																																					
C5	14BC	16	RD	2033819C1																																																																																																																																																																																																																																																																					
C6	14BB	16	RD	2033819C1																																																																																																																																																																																																																																																																					
C7	14C	16	RD	2033819C1																																																																																																																																																																																																																																																																					
C9	14BE	16	RD	2033819C1																																																																																																																																																																																																																																																																					
CHK	DATE	CHANGE	REV	REFERENCE	DRAWN	NAME																																																																																																																																																																																																																																																																			
2480	10JUL14	INITIAL RELEASE	A	92477E	U201462	CIRC DIAG, 42/43/44/73/74/75/76/85/8600, CT-610																																																																																																																																																																																																																																																																			
					RELEASE NO.	DATE																																																																																																																																																																																																																																																																			
					92477E	24MAR14																																																																																																																																																																																																																																																																			
					PART NO.	SHEET																																																																																																																																																																																																																																																																			
					AE08056619	04B																																																																																																																																																																																																																																																																			

Figure 260 Connector Composites (677F), (678), (679), (680)



13.7. CONNECTOR COMPOSITES (682), (827), P. 4C

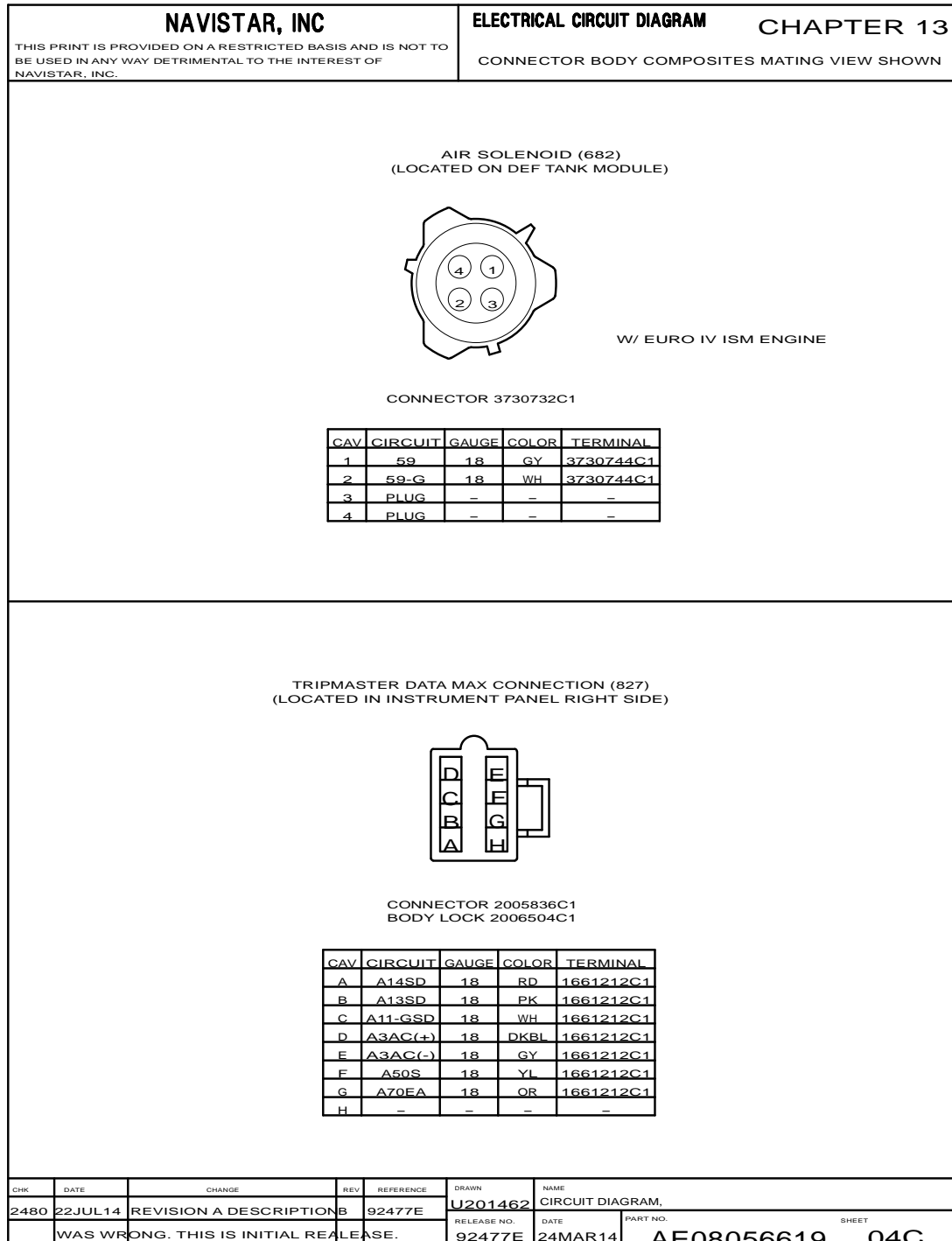


Figure 261 Connector Composites (682), (827)

13.8. CONNECTOR COMPOSITES (830), (1002), (1003), (1006), P. 5

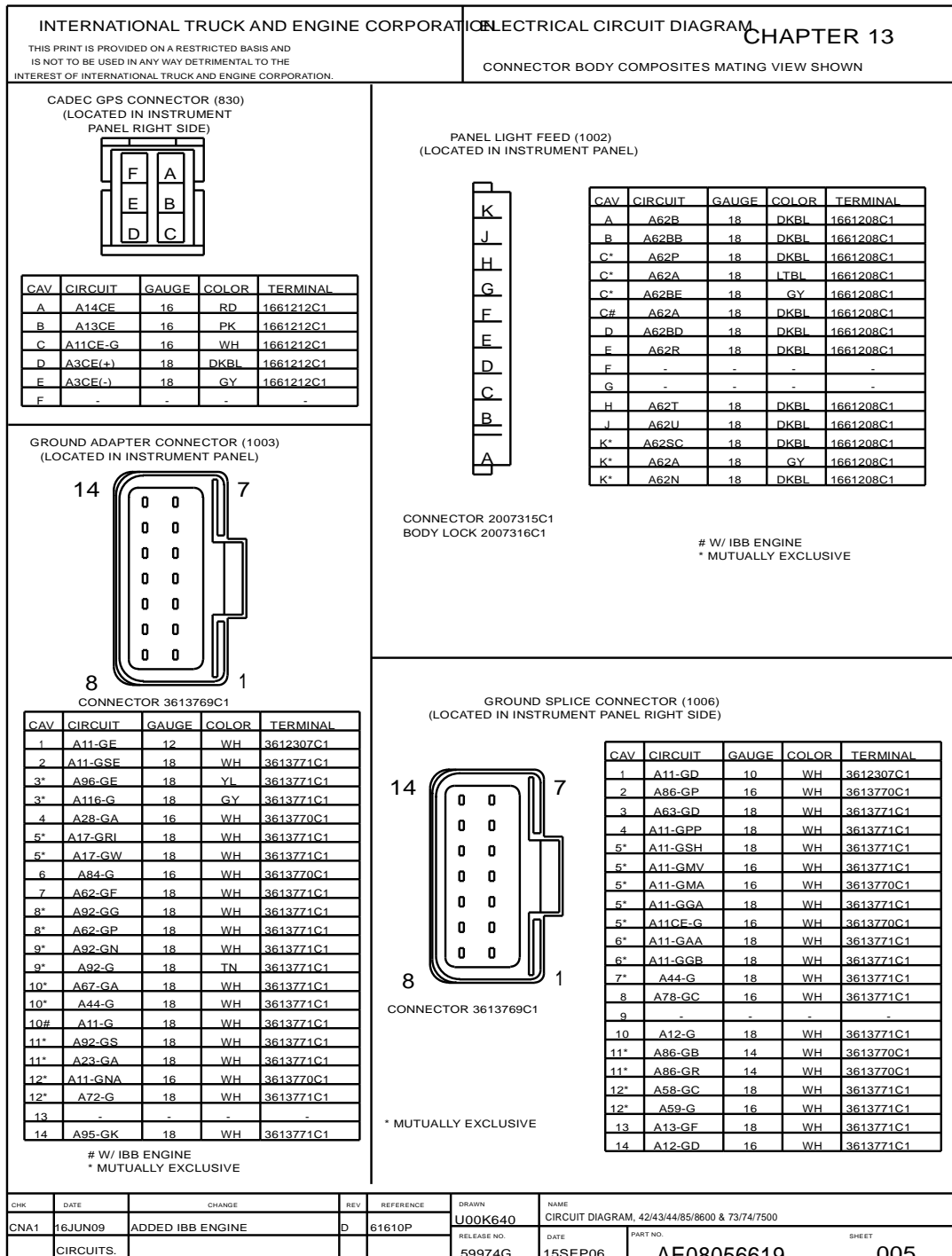


Figure 262 Connector Composites (830), (1002), (1003), (1006)

13.9. CONNECTOR COMPOSITES (1008), (1009), P. 6

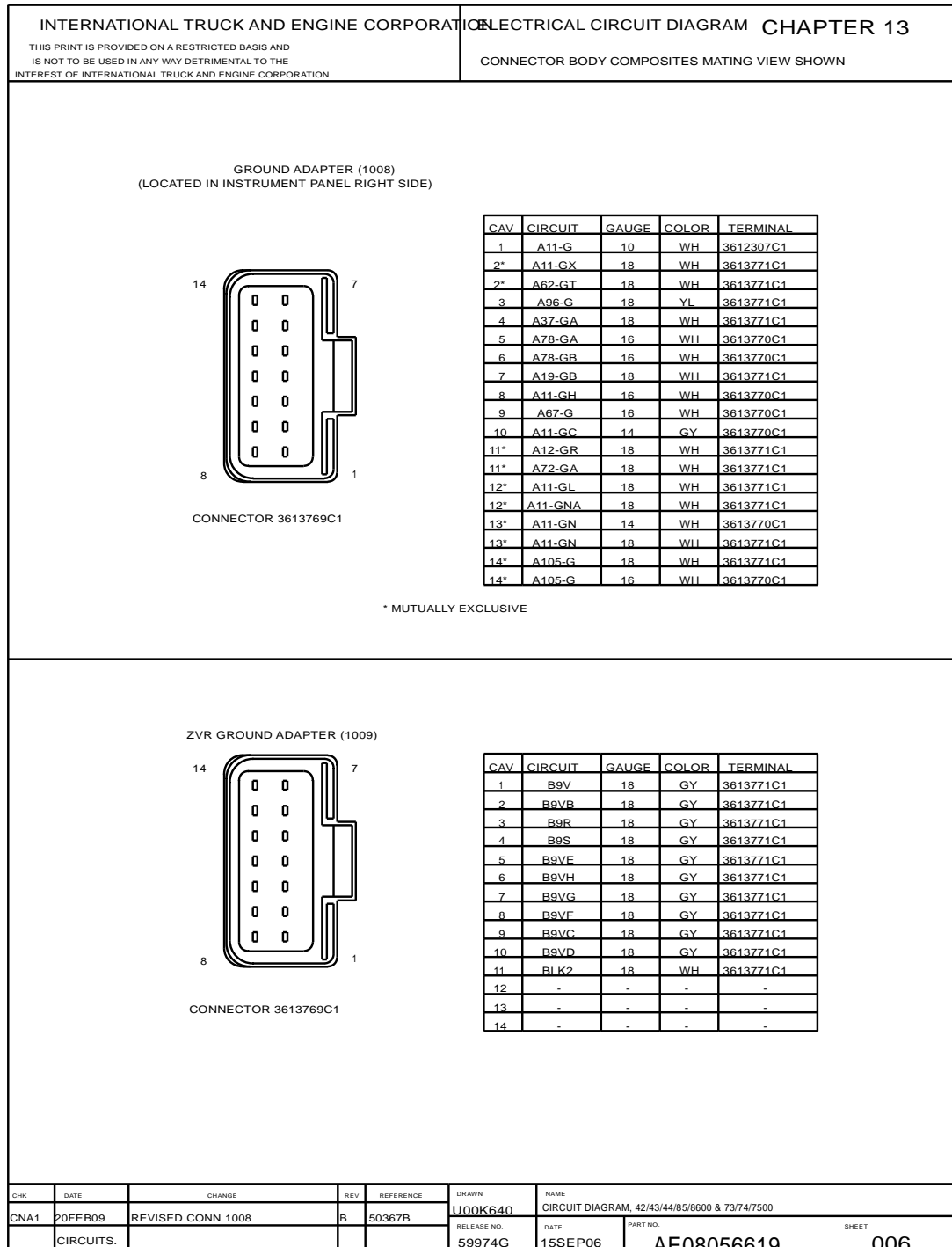


Figure 263 Connector Composites (1008), (1009)

13.10. CONNECTOR COMPOSITE (1010), P. 7

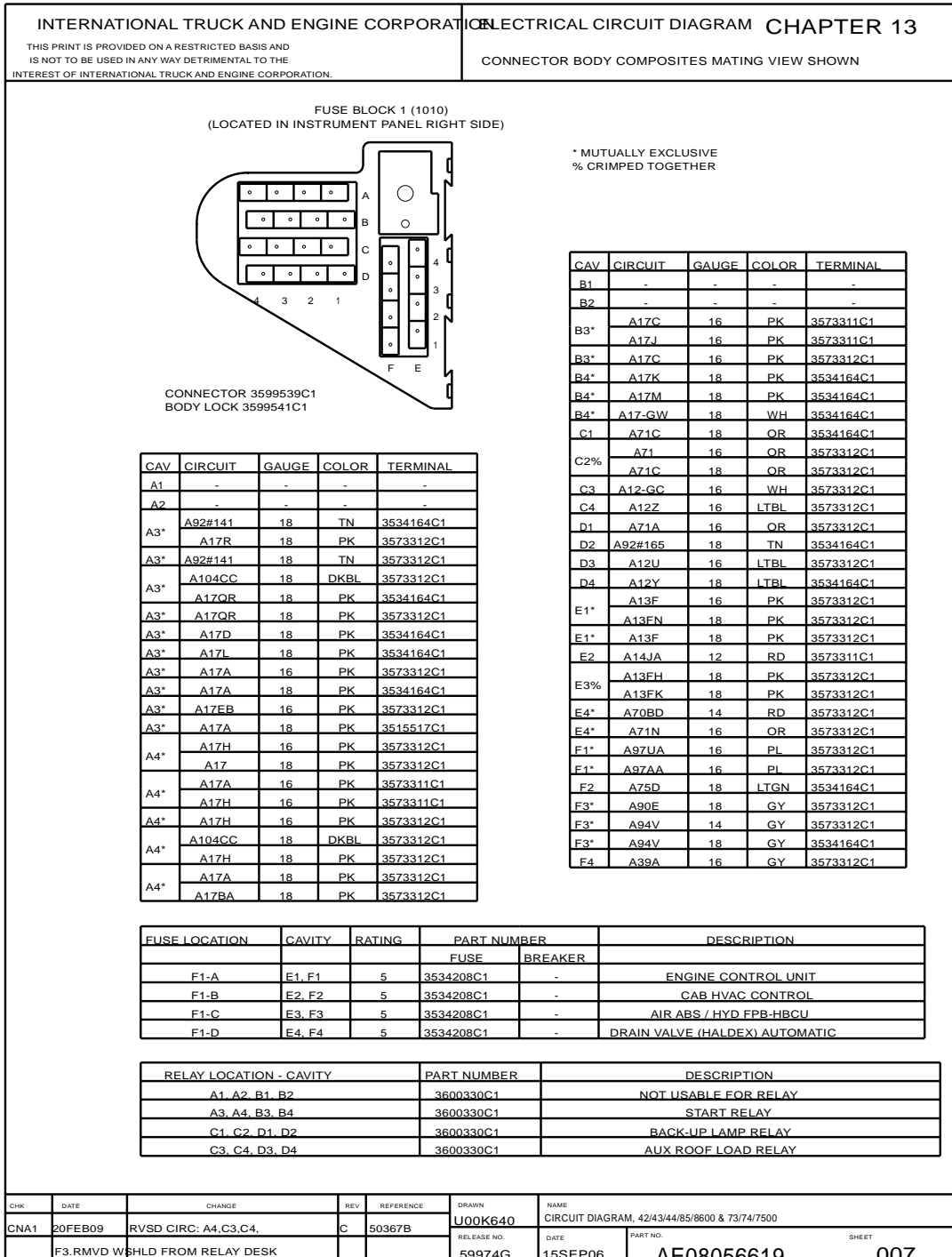


Figure 264 Connector Composite (1010)

13.11. CONNECTOR COMPOSITE (1011), P. 8

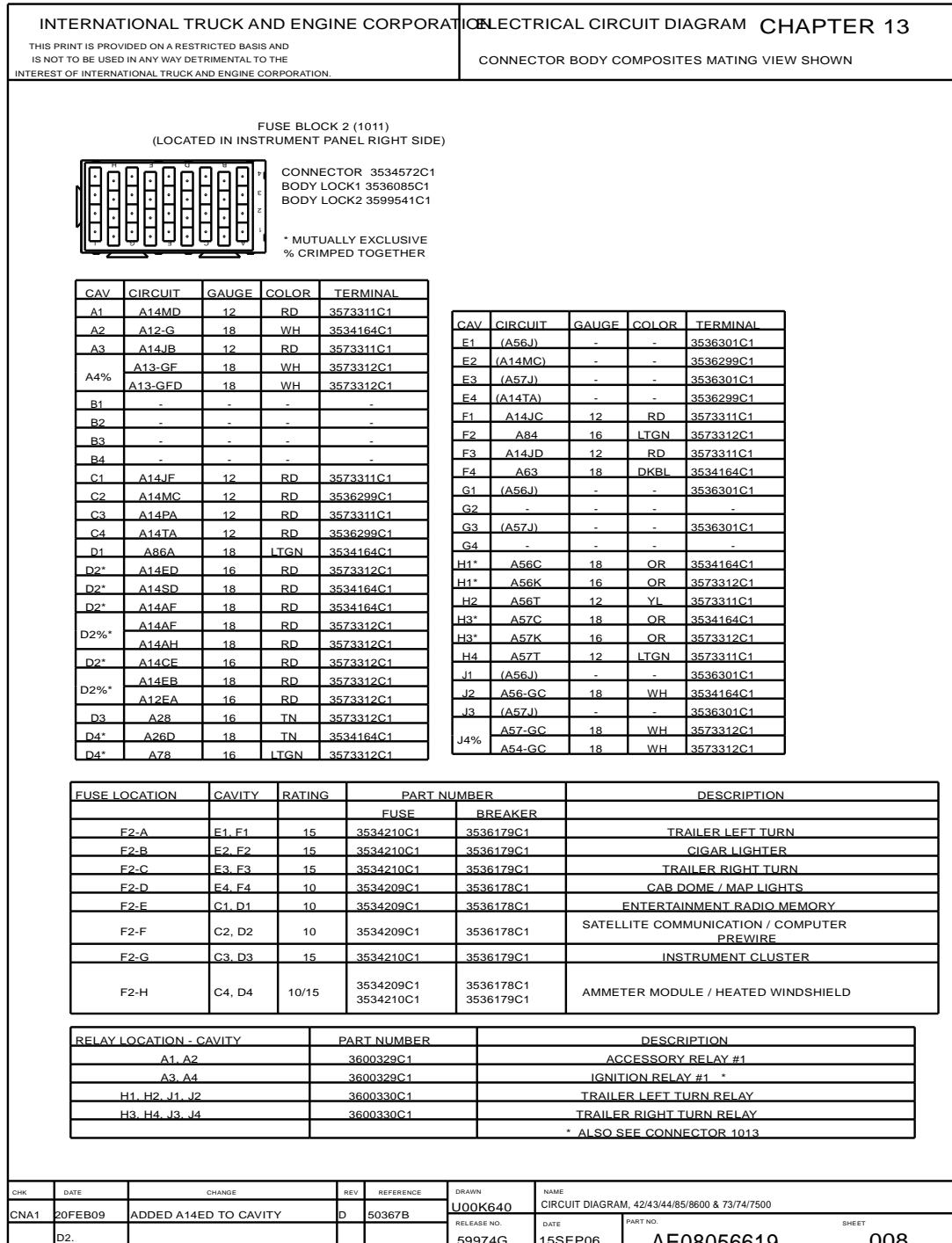


Figure 265 Connector Composite (1011)

13.12. CONNECTOR COMPOSITE (1012), P. 9

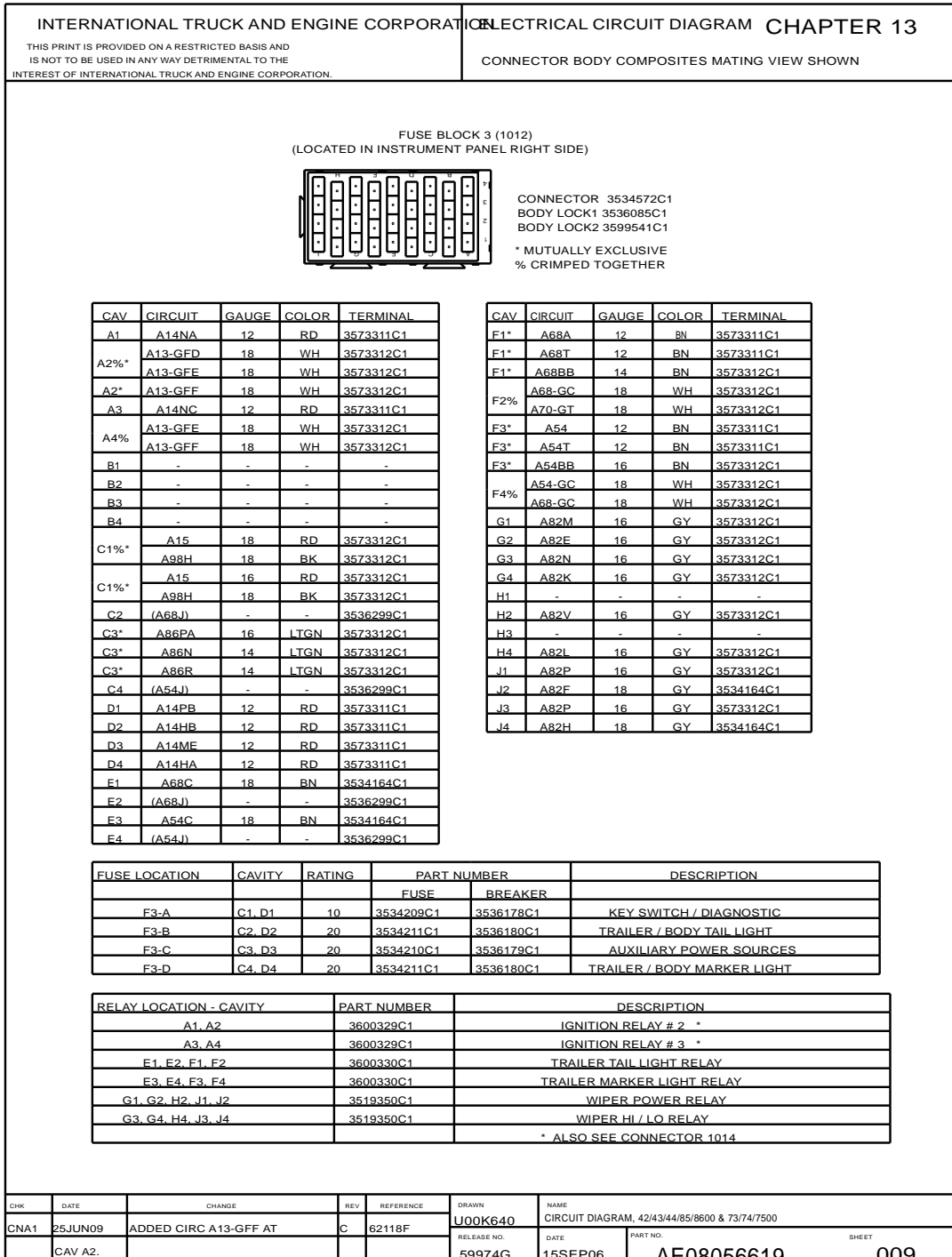


Figure 266 Connector Composite (1012)

13.13. CONNECTOR COMPOSITE (1013), P. 10

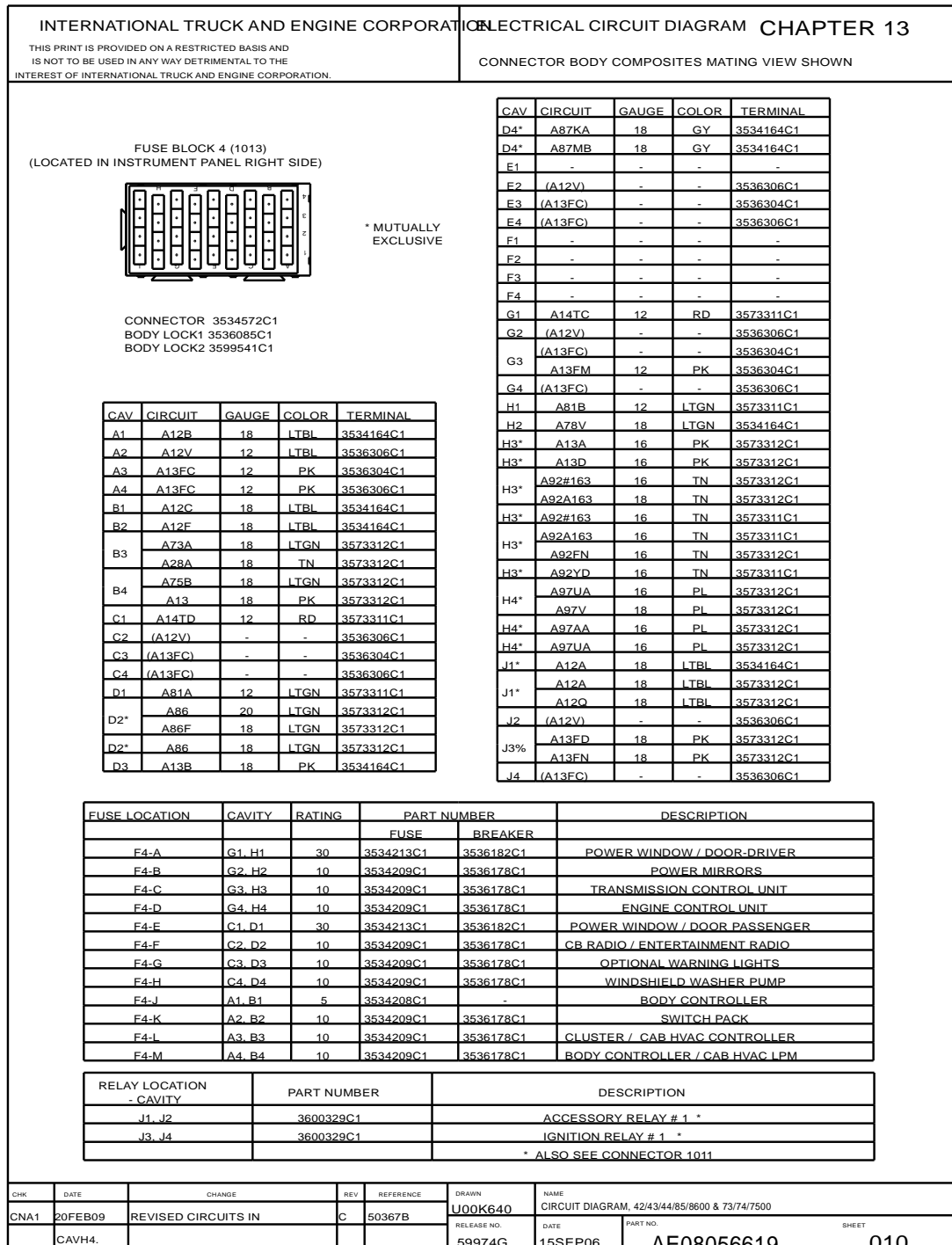


Figure 267 Connector Composite (1013)

13.14. CONNECTOR COMPOSITE (1014), P. 11

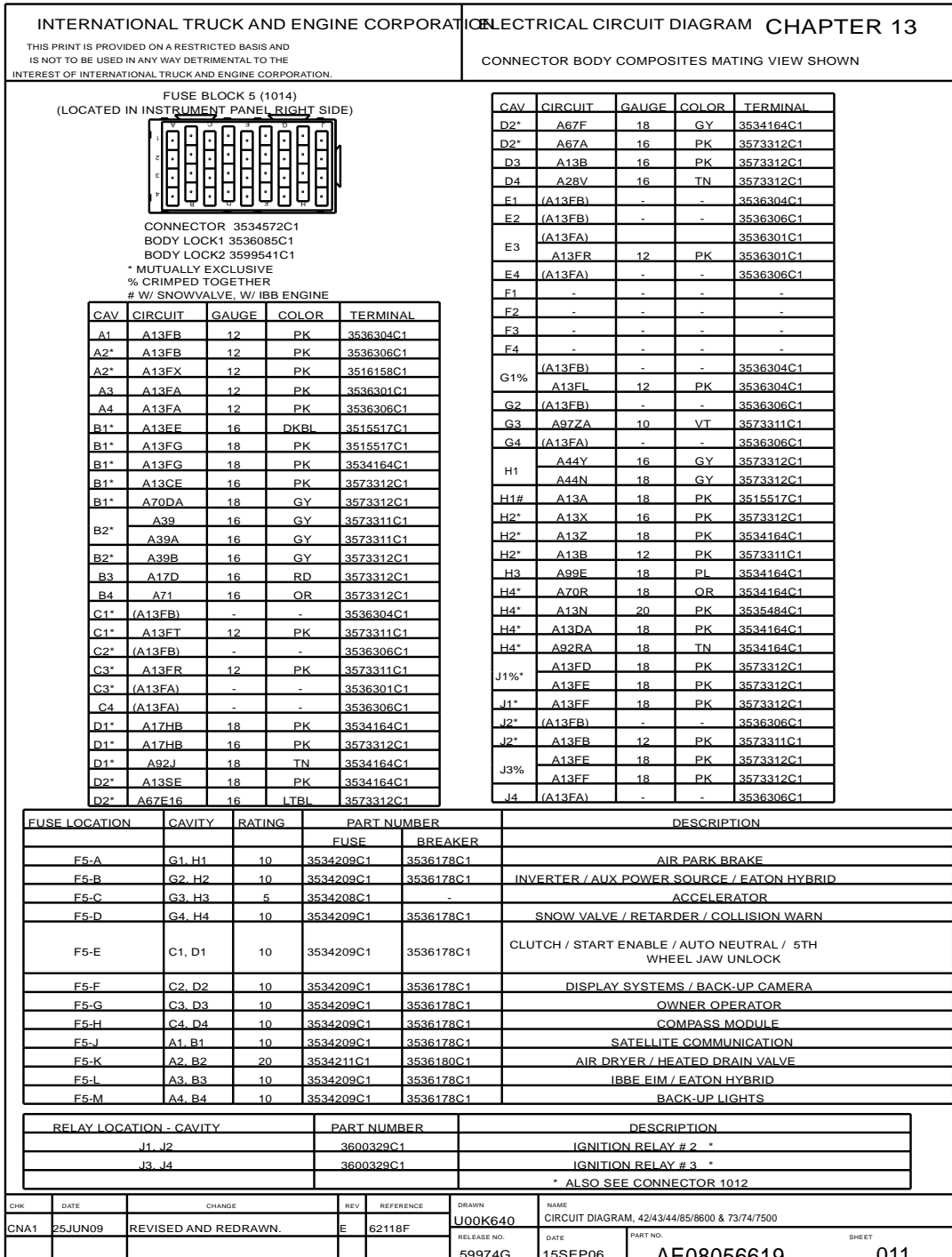


Figure 268 Connector Composite (1014)



13.15. CONNECTOR COMPOSITE (1015), P. 12

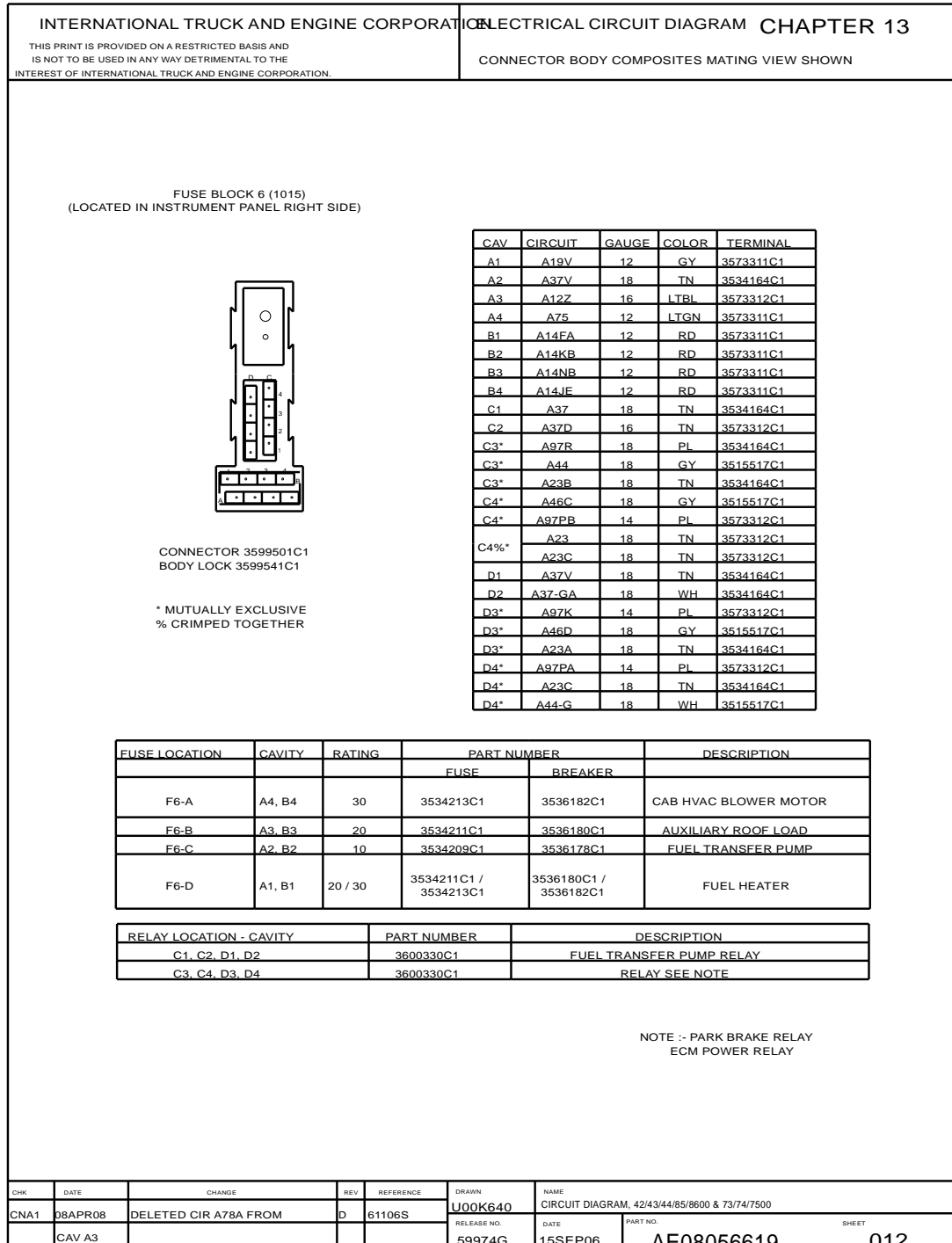


Figure 269 Connector Composite (1015)

13.16. CONNECTOR COMPOSITE (1016), P. 13

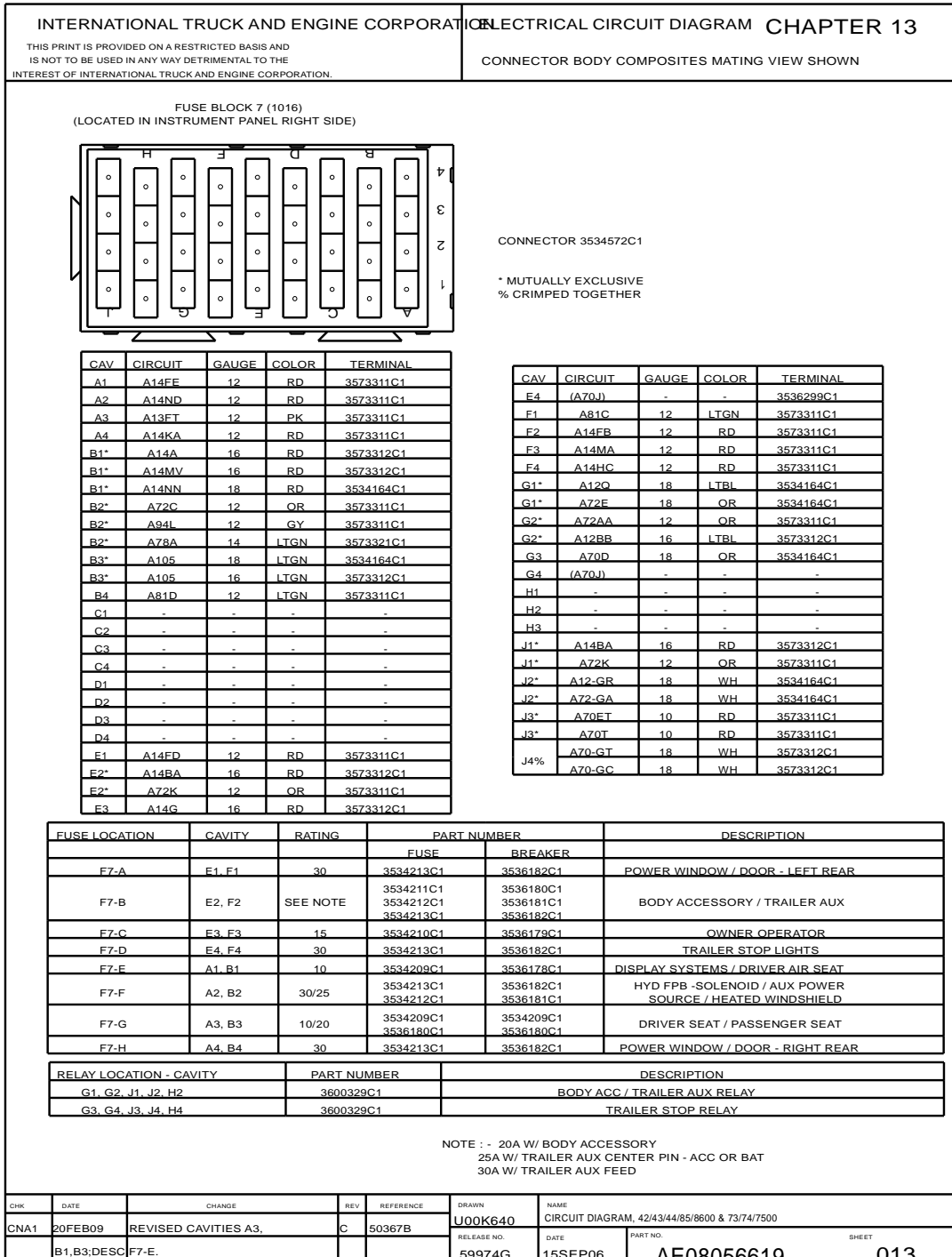


Figure 270 Connector Composite (1016)

13.17. CONNECTOR COMPOSITE (1017), P. 14

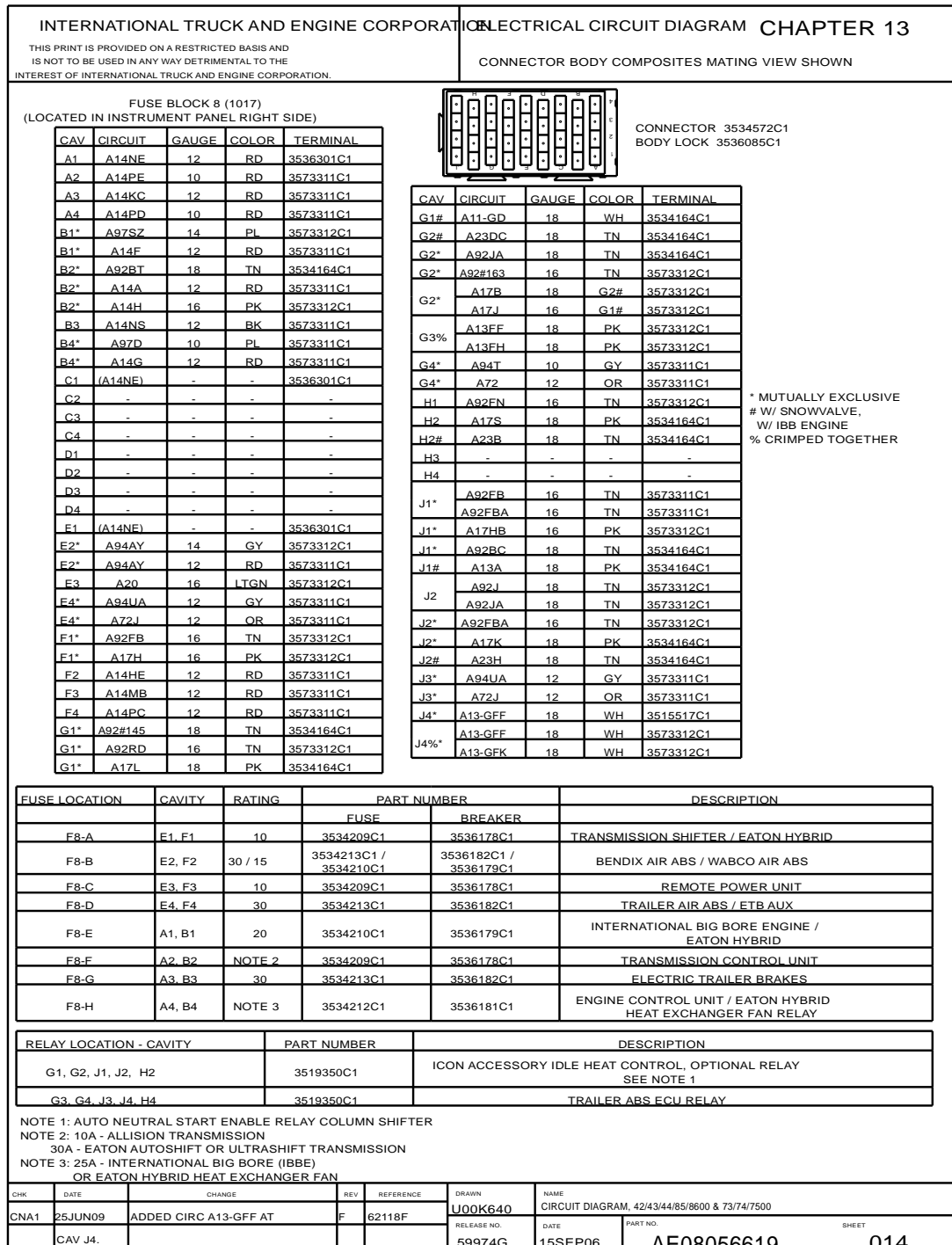


Figure 271 Connector Composite (1017)

13.18. CONNECTOR COMPOSITE (1018), P. 15

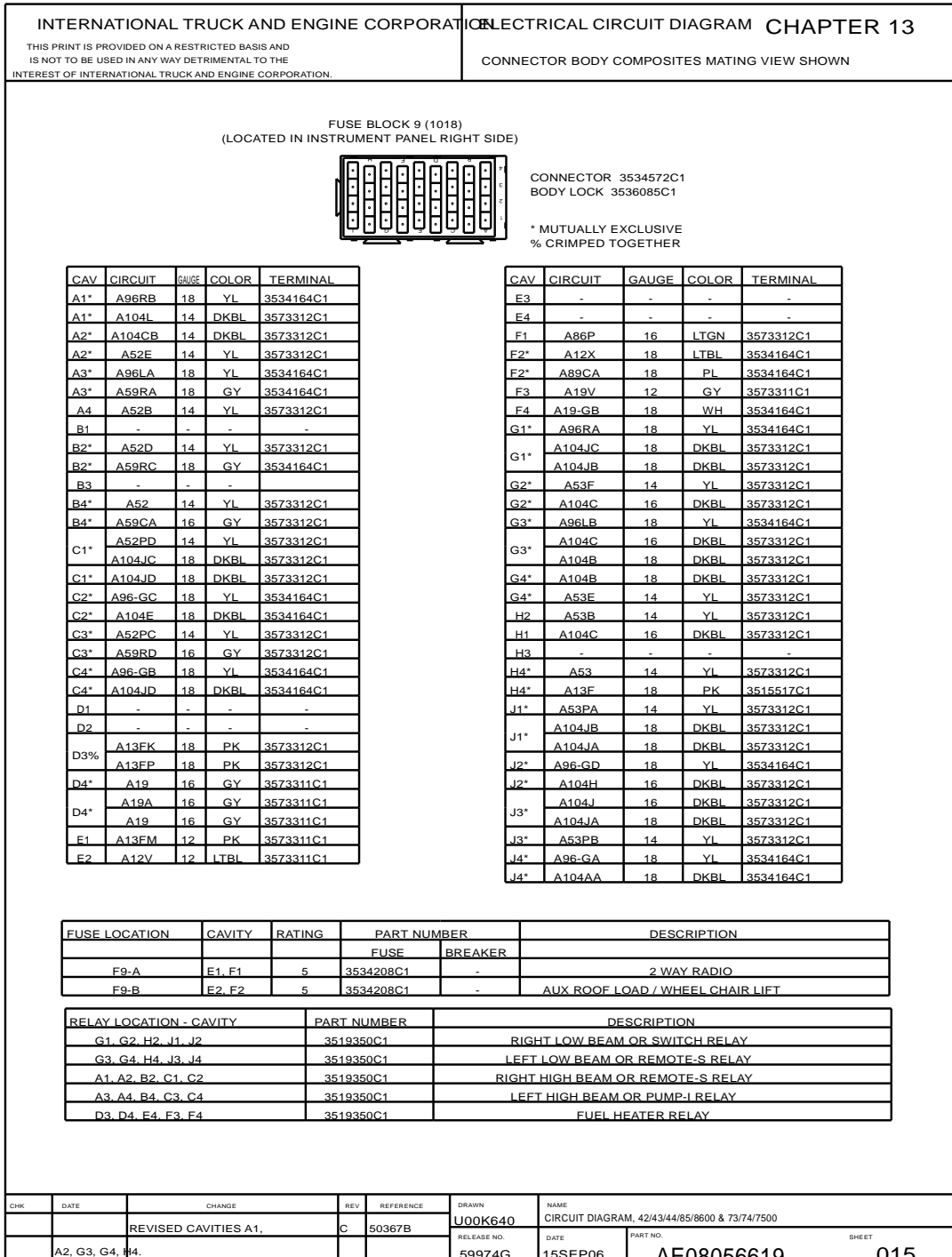


Figure 272 Connector Composite (1018)

13.19. CONNECTOR COMPOSITE (1019), P. 16

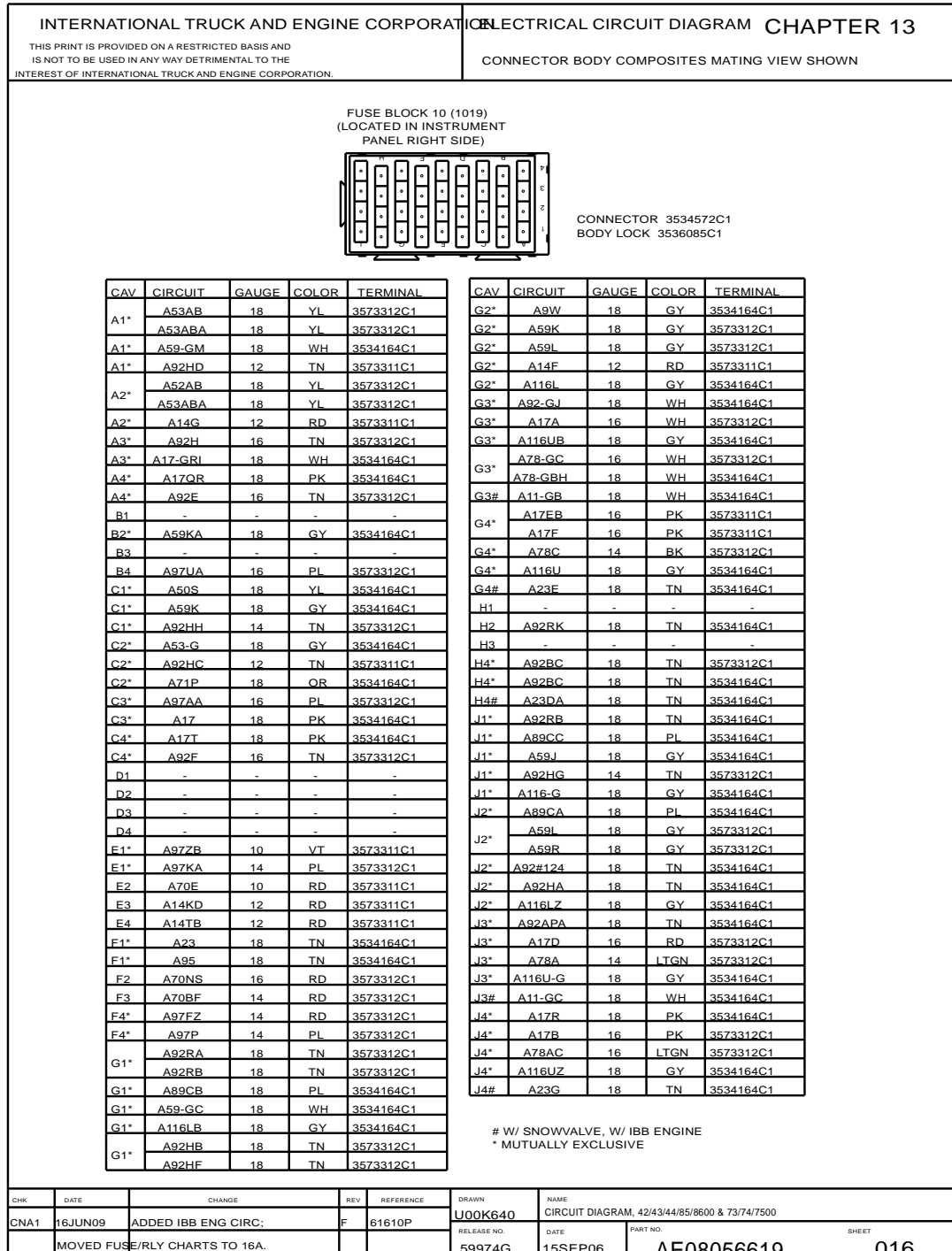


Figure 273 Connector Composite (1019)

13.20. CONNECTOR COMPOSITE (1019) (CONT.), P. 16A

INTERNATIONAL TRUCK AND ENGINE CORPORATION				ELECTRICAL CIRCUIT DIAGRAM CHAPTER 13			
THIS PRINT IS PROVIDED ON A RESTRICTED BASIS AND IS NOT TO BE USED IN ANY WAY DETRIMENTAL TO THE INTEREST OF INTERNATIONAL TRUCK AND ENGINE CORPORATION.				CONNECTOR BODY COMPOSITES MATING VIEW SHOWN (CONT)			
FUSE LOCATION	CAVITY	RATING	PART NUMBER		DESCRIPTION		
			FUSE	BREAKER			
F10-A	E1, F1	5 / 10	3534208C1 / 3534209C1	3536178C1	FAN SOLENOID / IBBE / HCI		
F10-B	E2, F2	15	3534210C1	3536179C1	ELECTRIC TRAILER BRAKES		
F10-C	E3, F3	20	3534211C1	3536180C1	BODY STOP		
F10-D	E4, F4	20	3534211C1	3536180C1	ENGINE CONTROL UNIT ( CAT. IBBE )		
RELAY LOCATION -CAVITY		PART NUMBER		DESCRIPTION			
A1, A2, B2, C1, C2		3519350C1		OPTIONAL RELAY SEE NOTE			
A3, A4, B4, C3, C4		3519350C1		CRANK-I OR IGN INTERRUPT RELAY			
G1, G2, J1, J2, H2		3519350C1		RETARDER / WHEEL CHAIR LIFT / LIFT AXLE / 5TH WHEEL LOCK RELAY			
G3, G4, J3, J4, H4		3519350C1		AUTO NEUTRAL LIGHT RELAY / WINDSHIELD / CRANK / 5TH WHEEL UNLOCK RELAY / CUSTOMER ACCESSORY # 2			
NOTE :- TRIP HEADLIGHT INPUT RELAY, LIFT AXLE REVERSE RELAY CUSTOMER ACCESSORY # 2 - W/ SNOWVALVE, W/ IBB ENGINE							
CHK	DATE	CHANGE	REV	REFERENCE	DRAWN	NAME	
CNA1	16JUN09	INITIAL RELEASE.	A	61610P	300659	CIRCUIT DIAGRAM,42/43/44/85/8600 & 73/74/7500	
					RELEASE NO.	DATE	PART NO.
					61610P	16APR09	AE08056619
						SHEET	16A

Figure 274 Connector Composite (1019) (Cont.)

13.21. CONNECTOR COMPOSITES (1020), P. 17

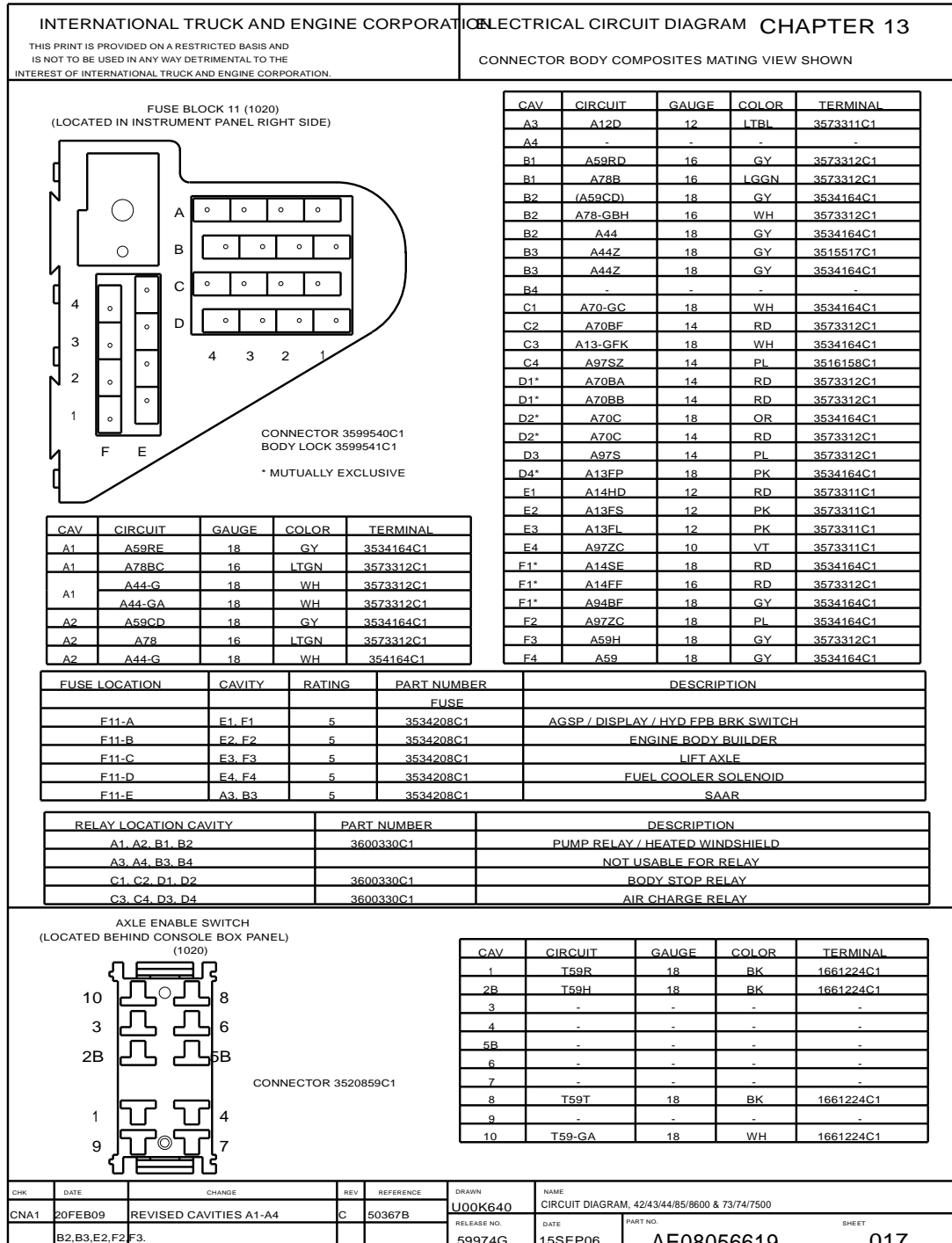


Figure 275 Connector Composites (1020)

13.22. CONNECTOR COMPOSITES (1021), (1022), (1023A), (1023B), P. 18

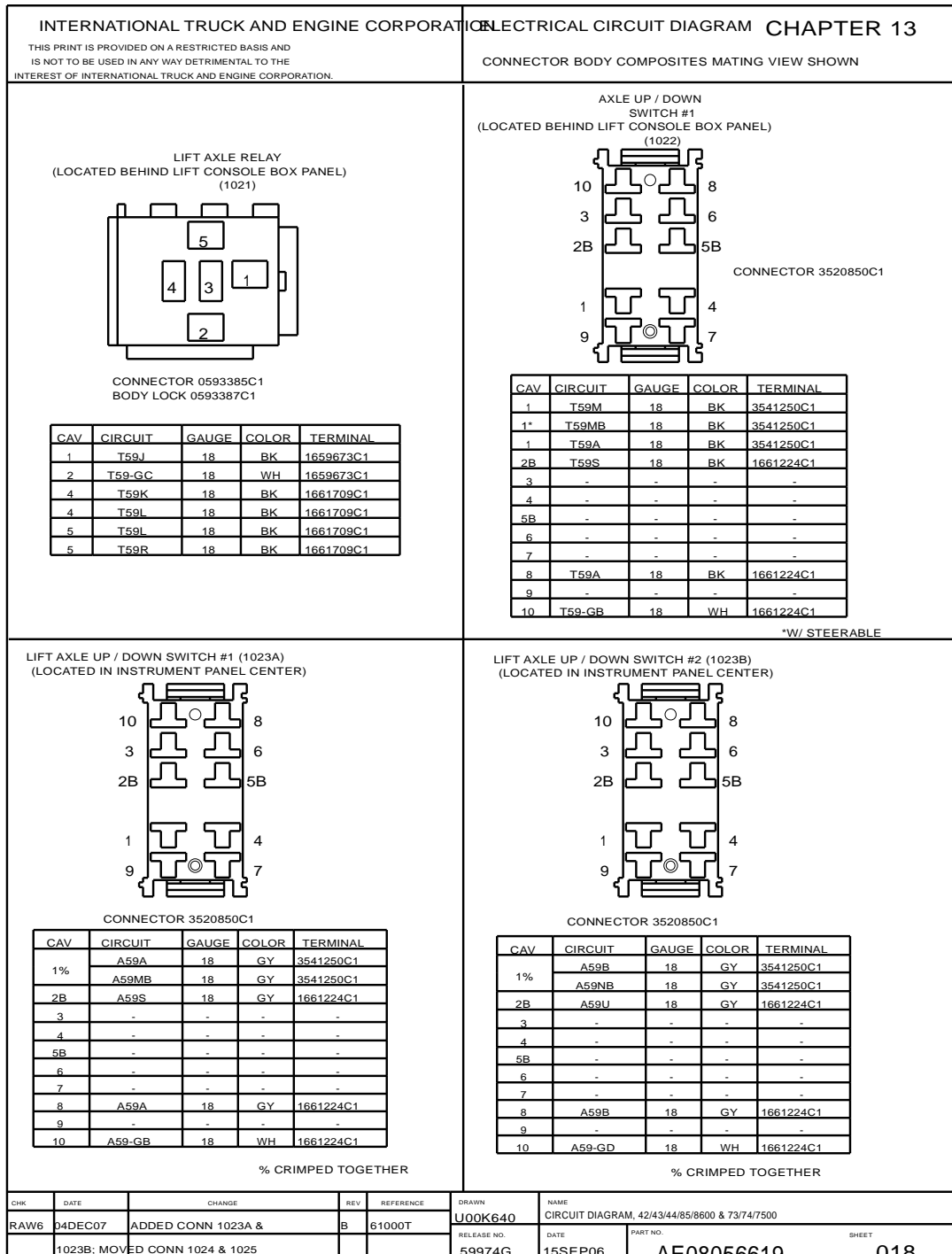


Figure 276 Connector Composites (1021), (1022), (1023A), (1023B)



13.23. CONNECTOR COMPOSITES (1023C), (1023D), (1024), (1025), P. 18A

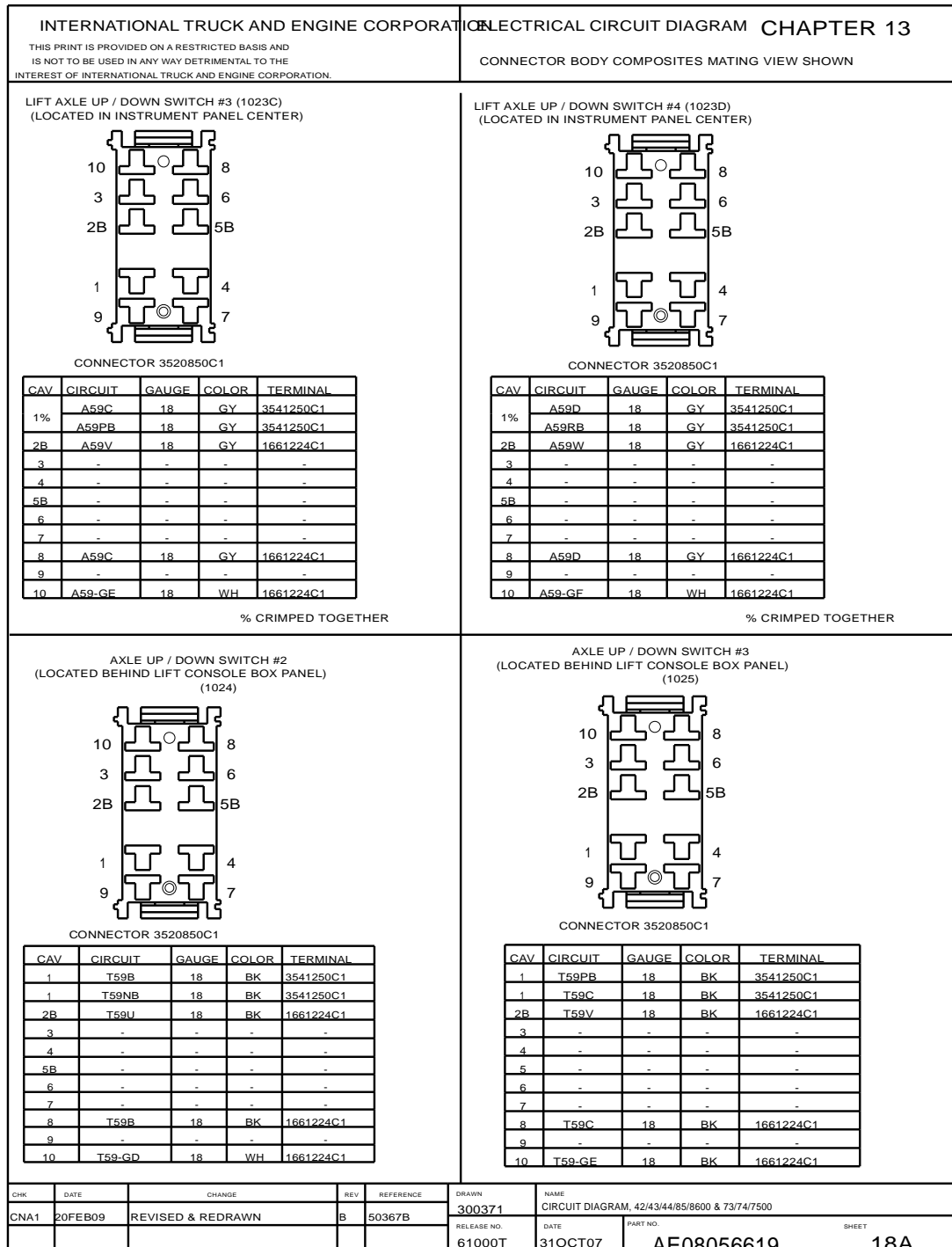


Figure 277 Connector Composites (1023C), (1023D), (1024), (1025)

13.24. CONNECTOR COMPOSITES (1025), (1026), (1029), (1069), P. 19

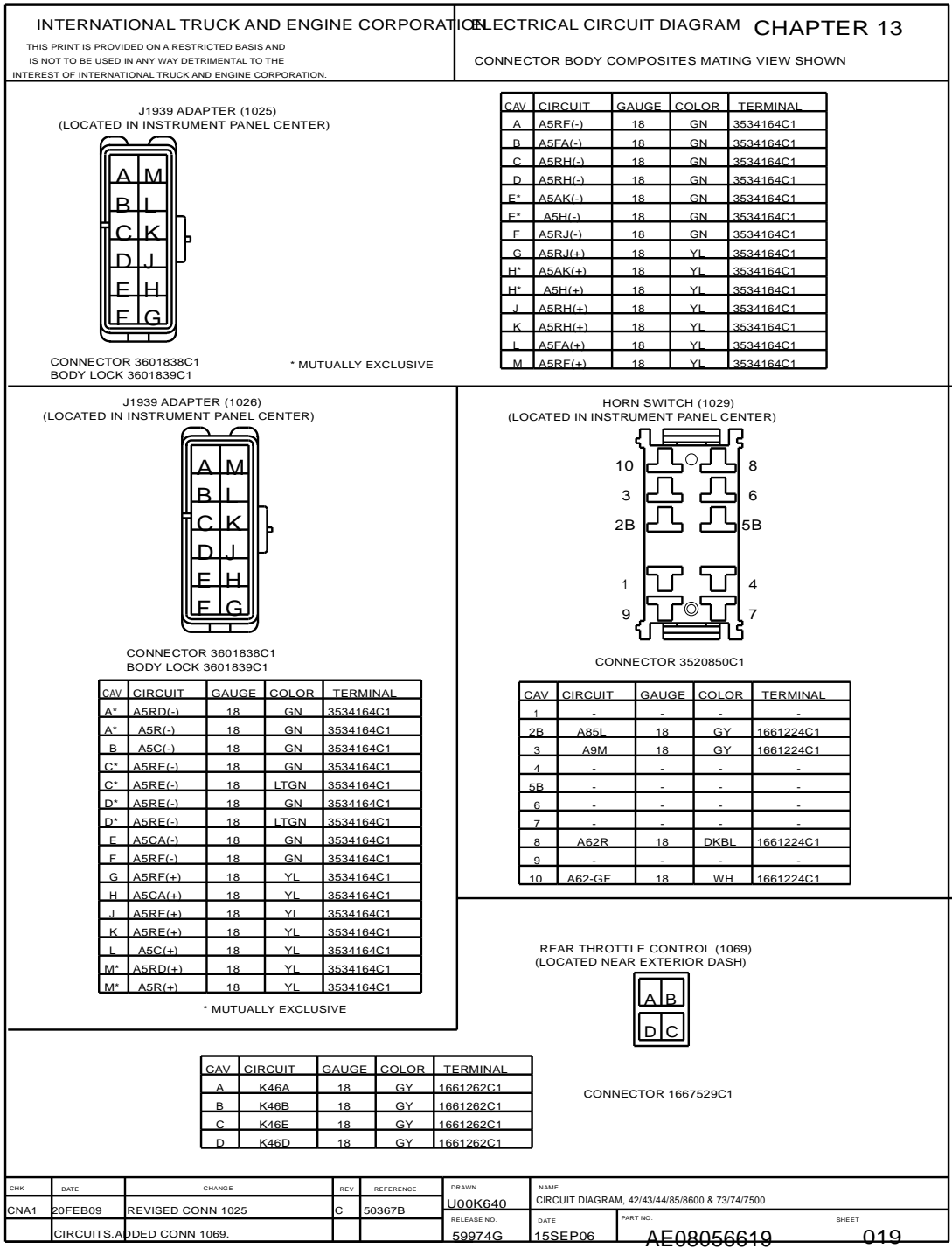


Figure 278 Connector Composites (1025), (1026), (1029), (1069)

13.25. CONNECTOR COMPOSITES (1100), (1100MA), (1101), (1101A), P. 20

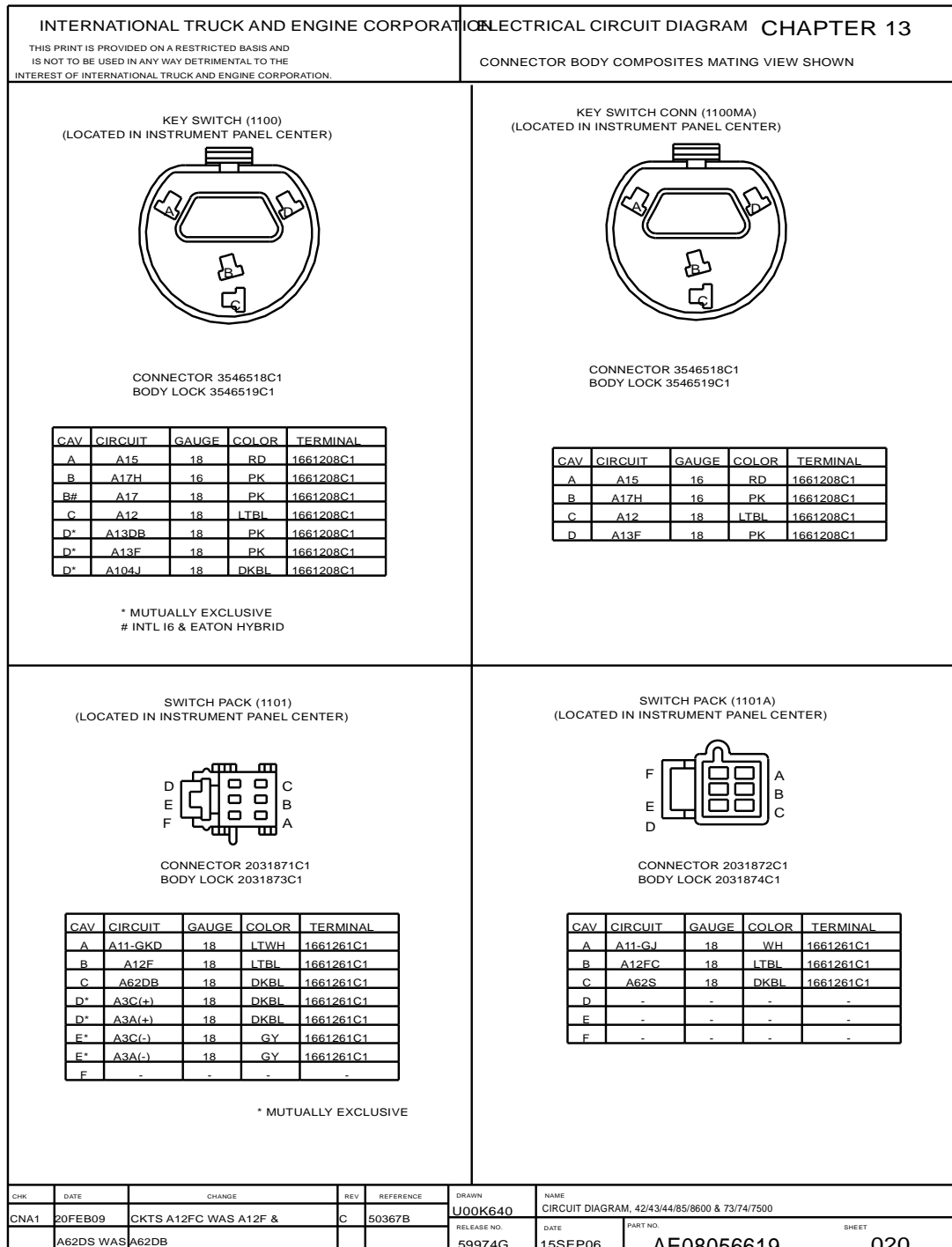


Figure 279 Connector Composites (1100), (1100MA), (1101), (1101A)

13.26. CONNECTOR COMPOSITES (1105), (1106), (1107), (1108), P. 21

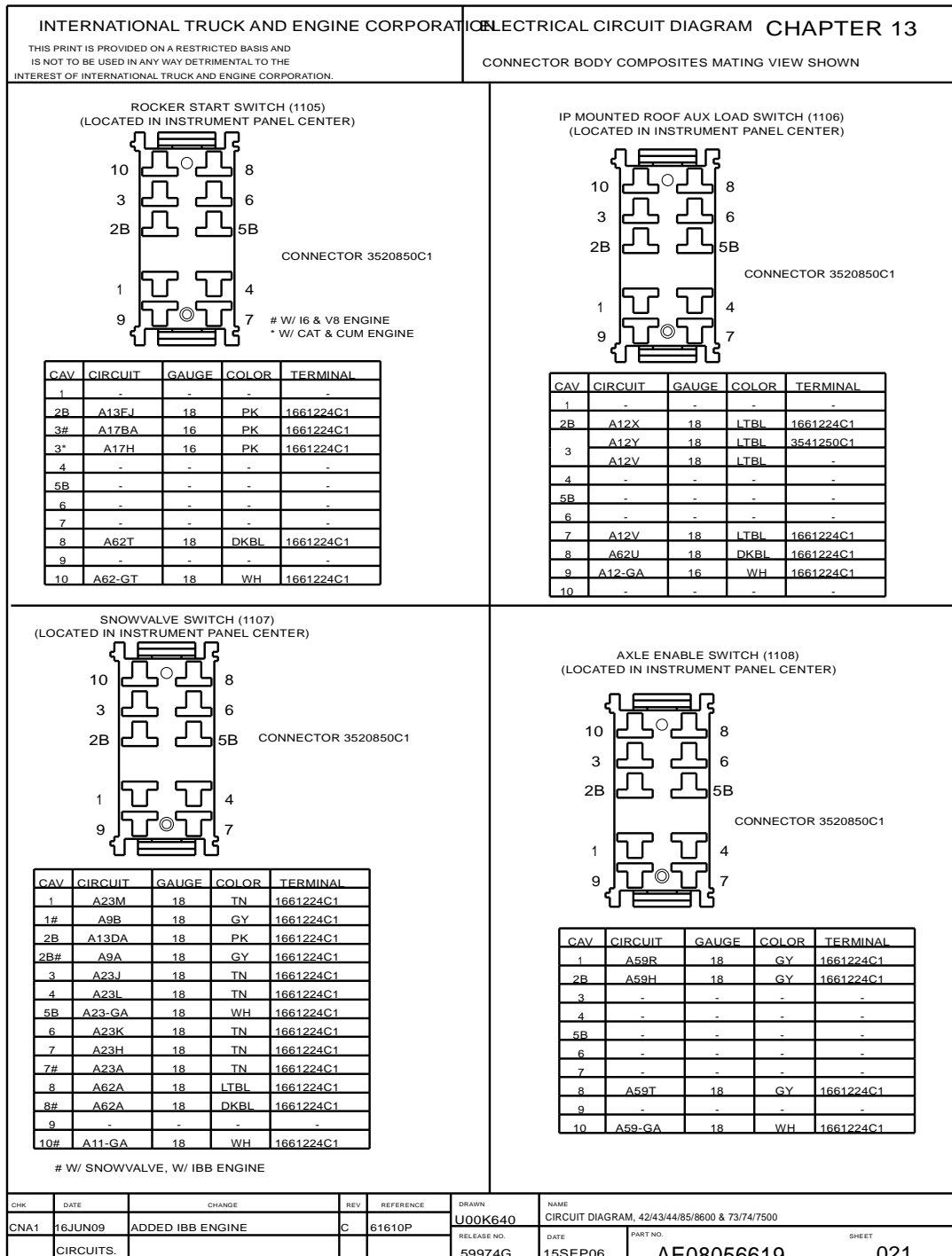


Figure 280 Connector Composites (1105), (1106), (1107), (1108)

13.27. CONNECTOR COMPOSITES (1109), (1110), (1200), P. 22

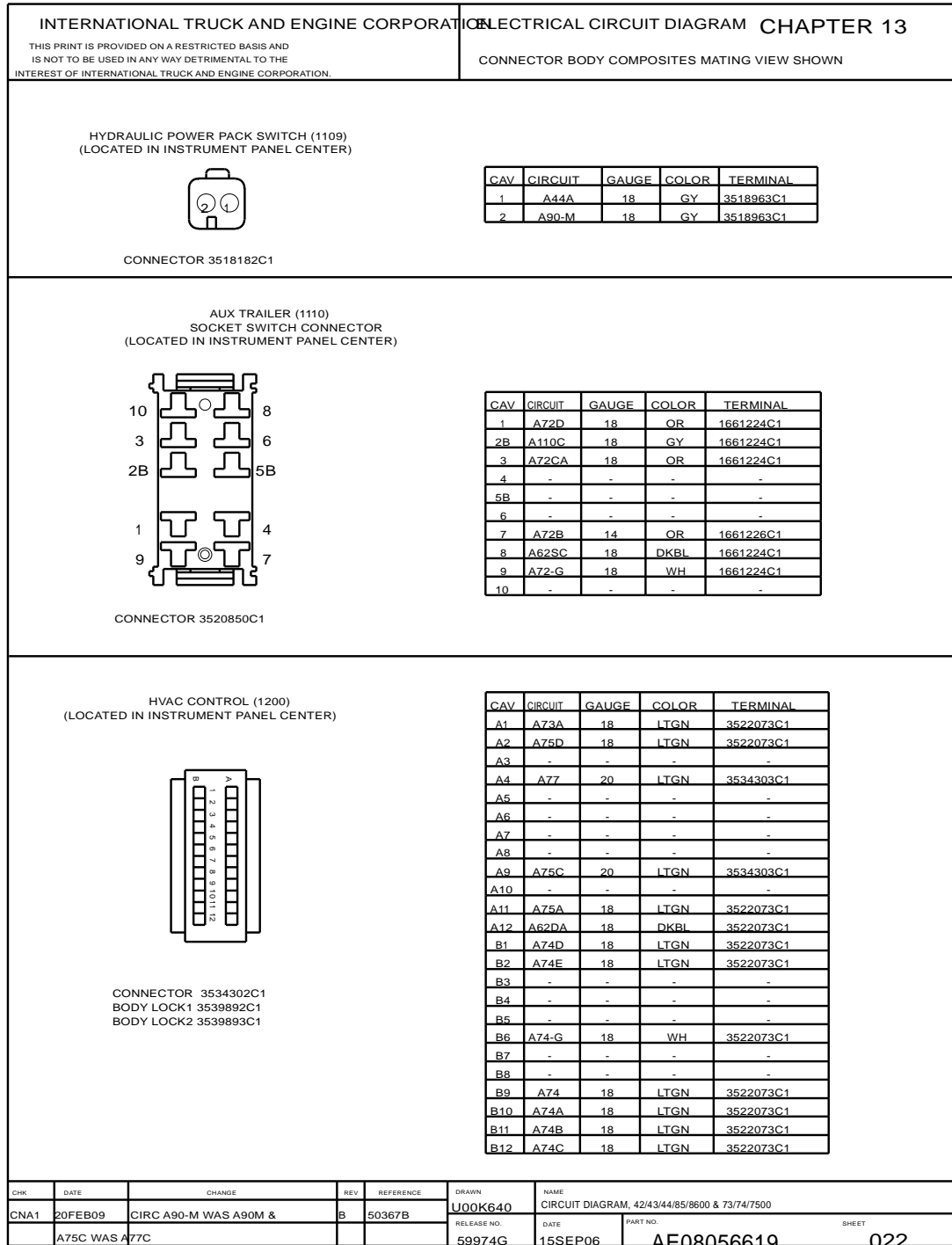


Figure 281 Connector Composites (1109), (1110), (1200)

13.28. CONNECTOR COMPOSITES (1210), (1227), (1227M), (1228), P. 23

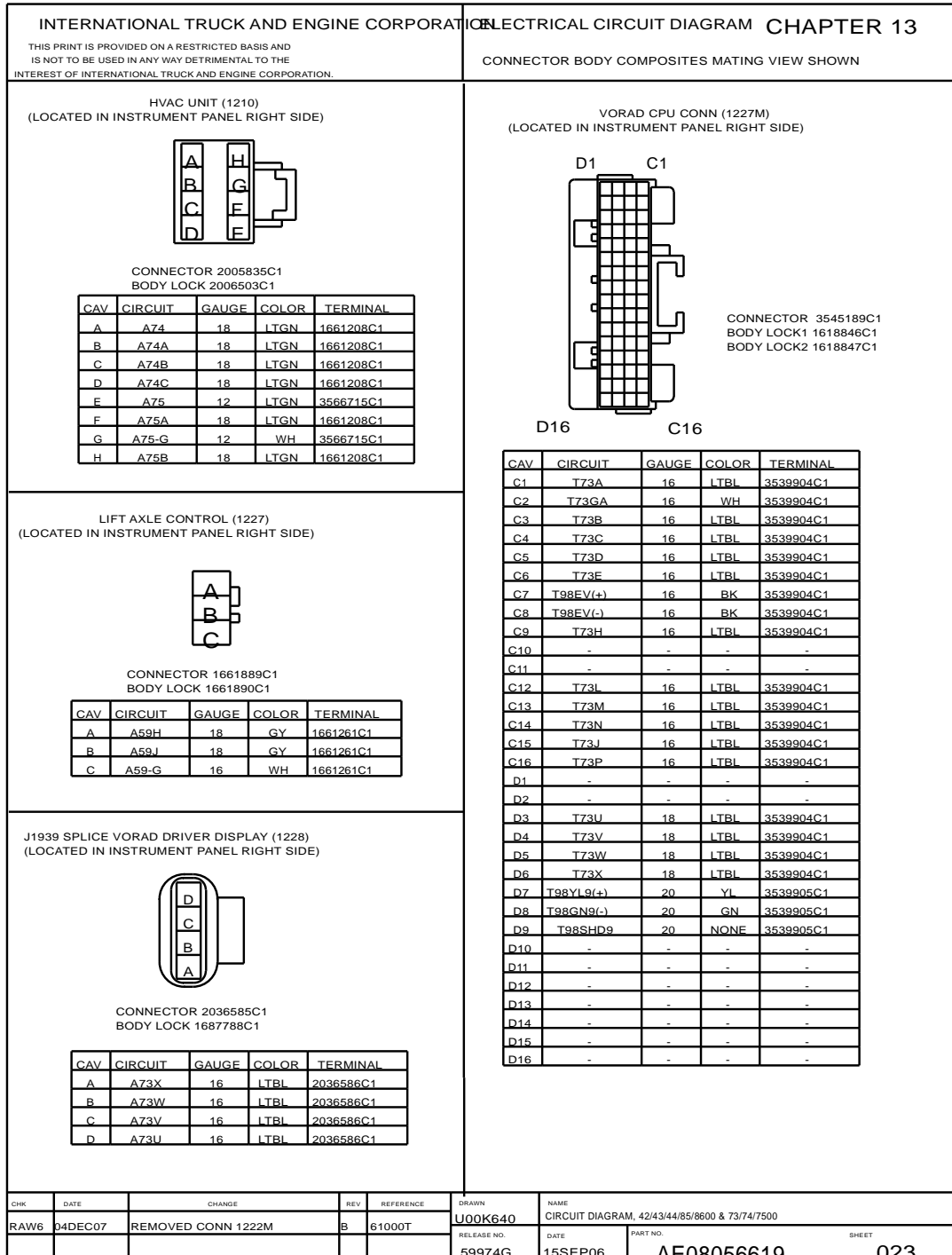


Figure 282 Connector Composites (1210), (1227), (1227M), (1228)

13.29. CONNECTOR COMPOSITES (1229), (1230F), (1231), (1240F), P. 24

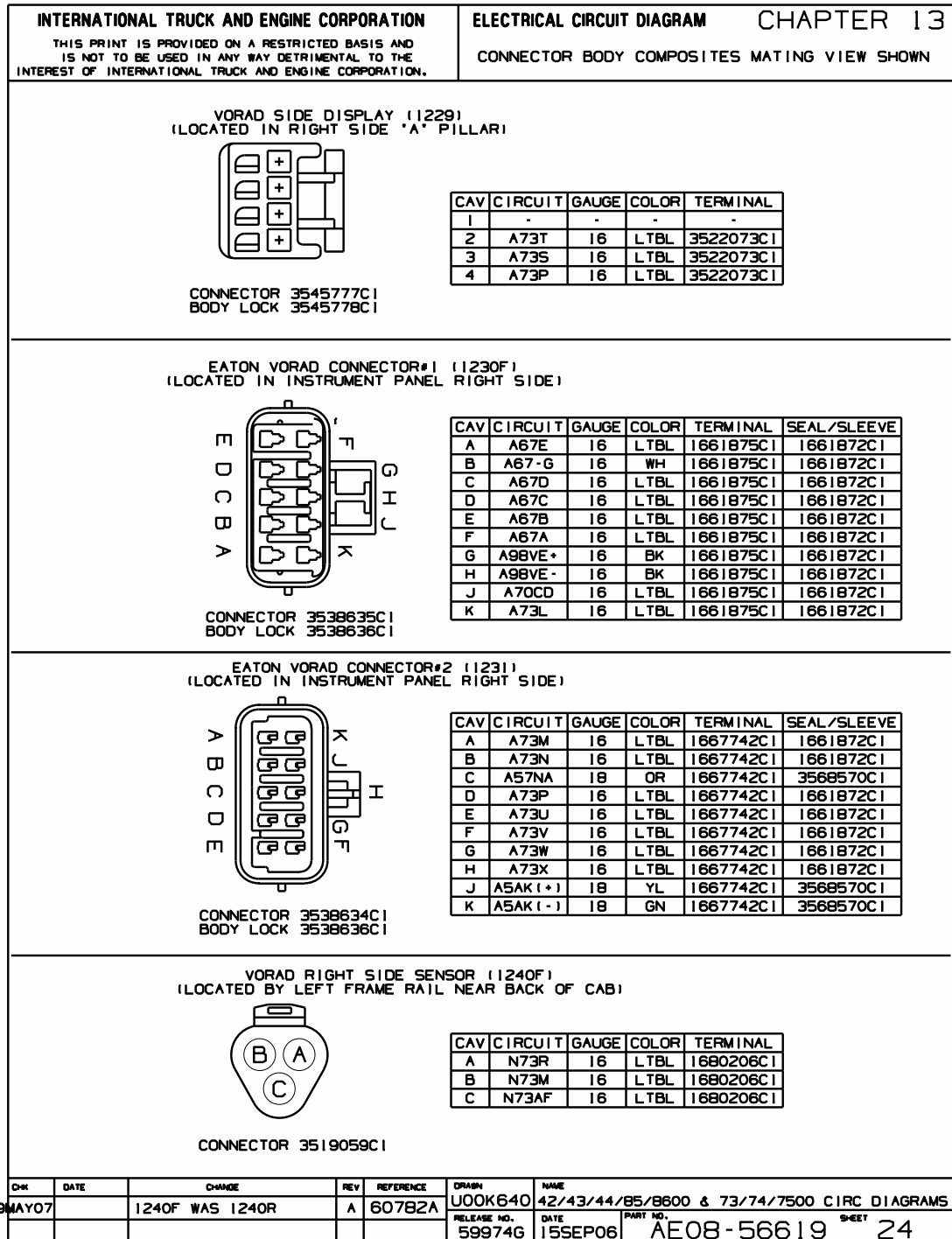


Figure 283 Connector Composites (1229), (1230F), (1231), (1240F)

13.30. CONNECTOR COMPOSITES (1242), (1243), (1300), (1301), (1338), P. 25

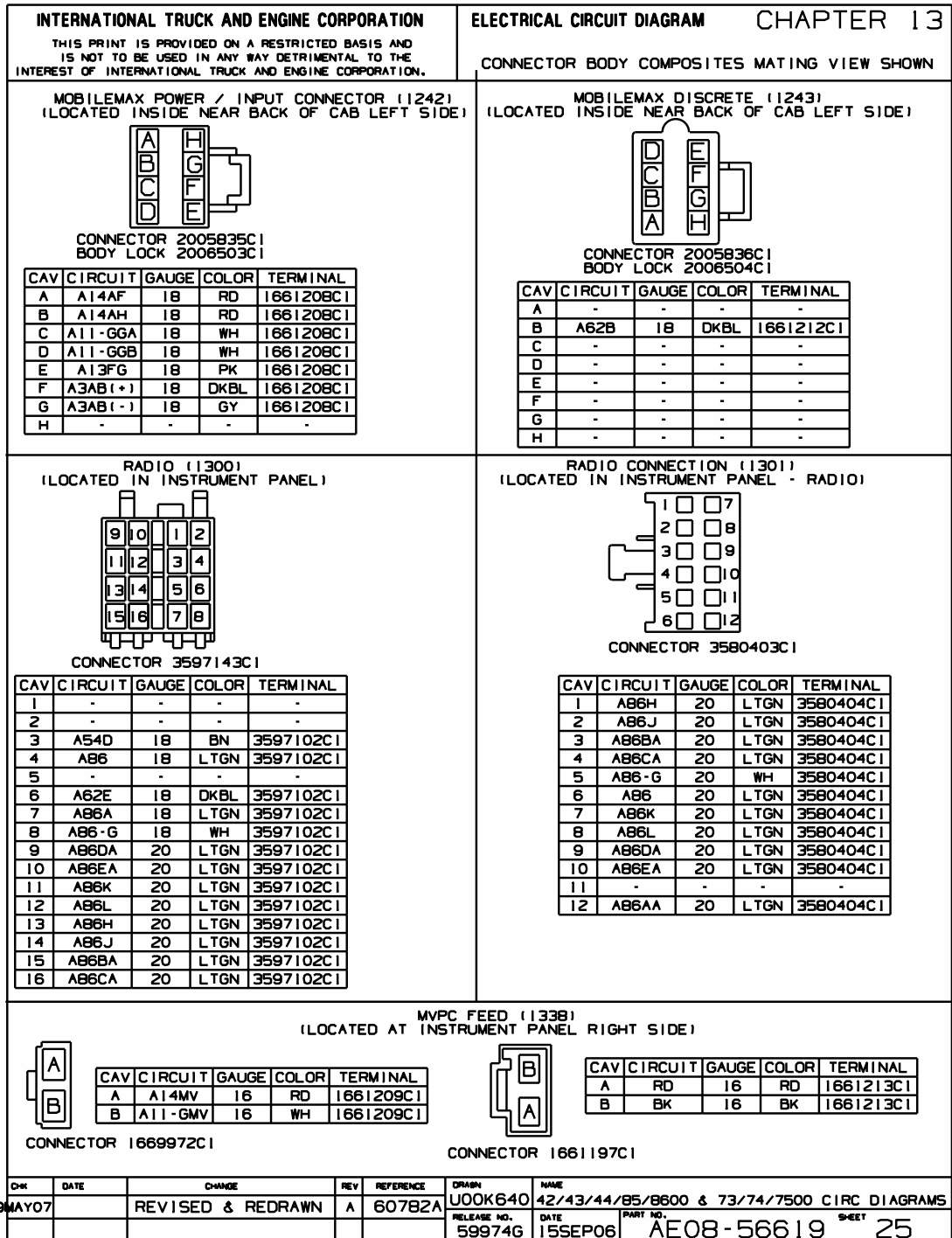


Figure 284 Connector Composites (1242), (1243), (1300), (1301), (1338)



13.31. CONNECTOR COMPOSITES (1378), (1400), (1401), (1402), P. 26

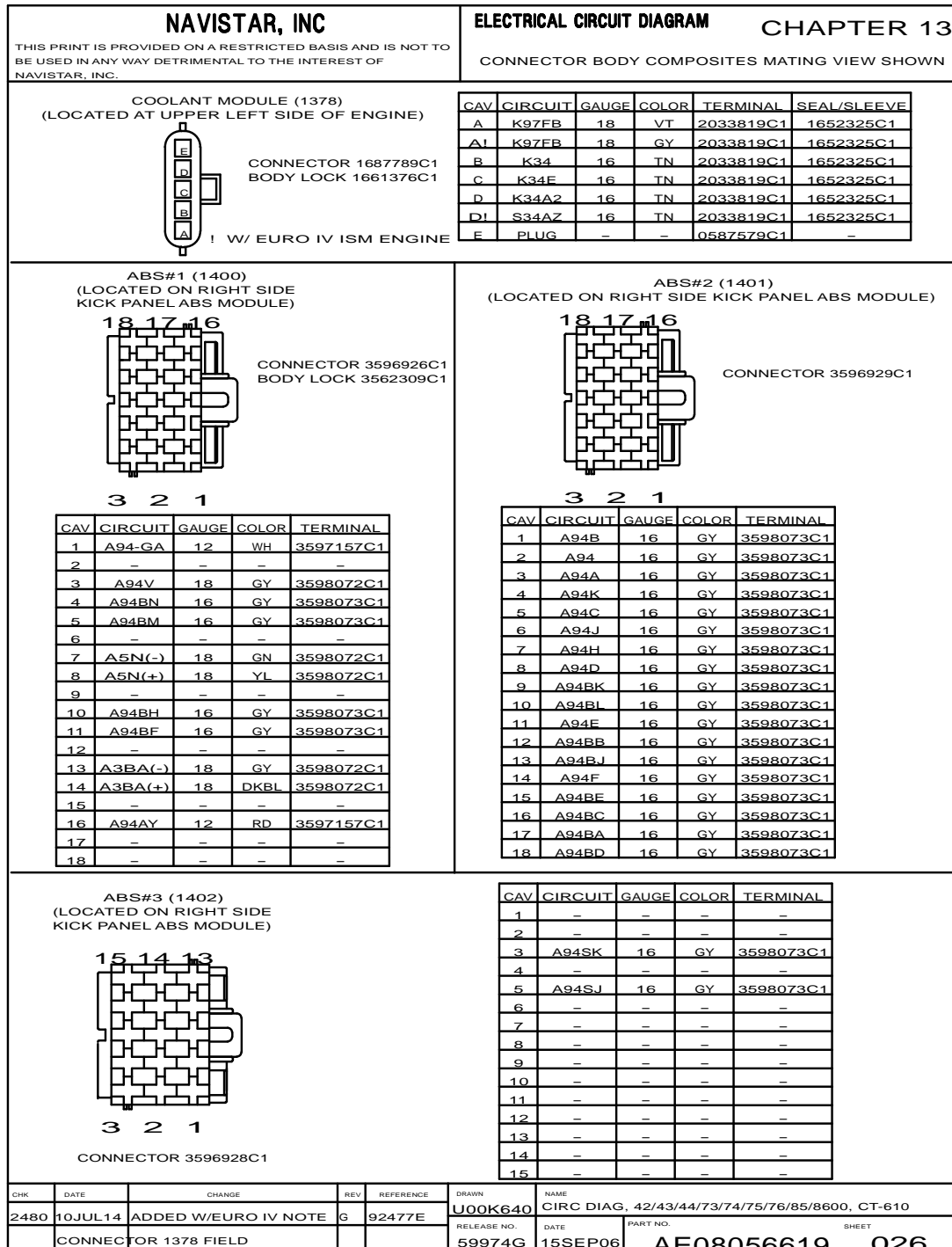


Figure 285 Connector Composites (1378), (1400), (1401), (1402)

13.32. CONNECTOR COMPOSITES (1403), (1410), P. 26A

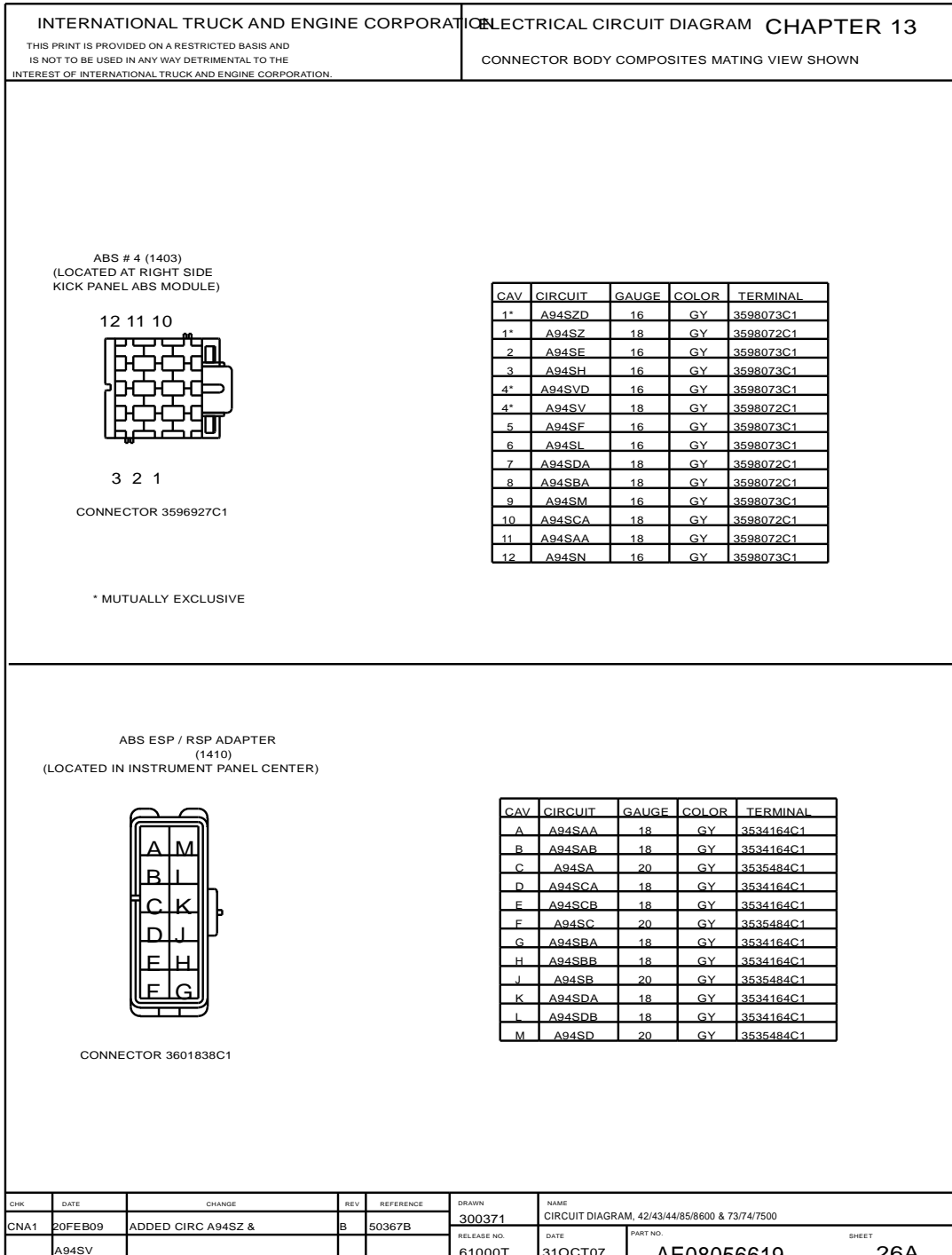


Figure 286 Connector Composites (1403), (1410)

13.33. CONNECTOR COMPOSITES (1420), (1421), (1500), P. 27

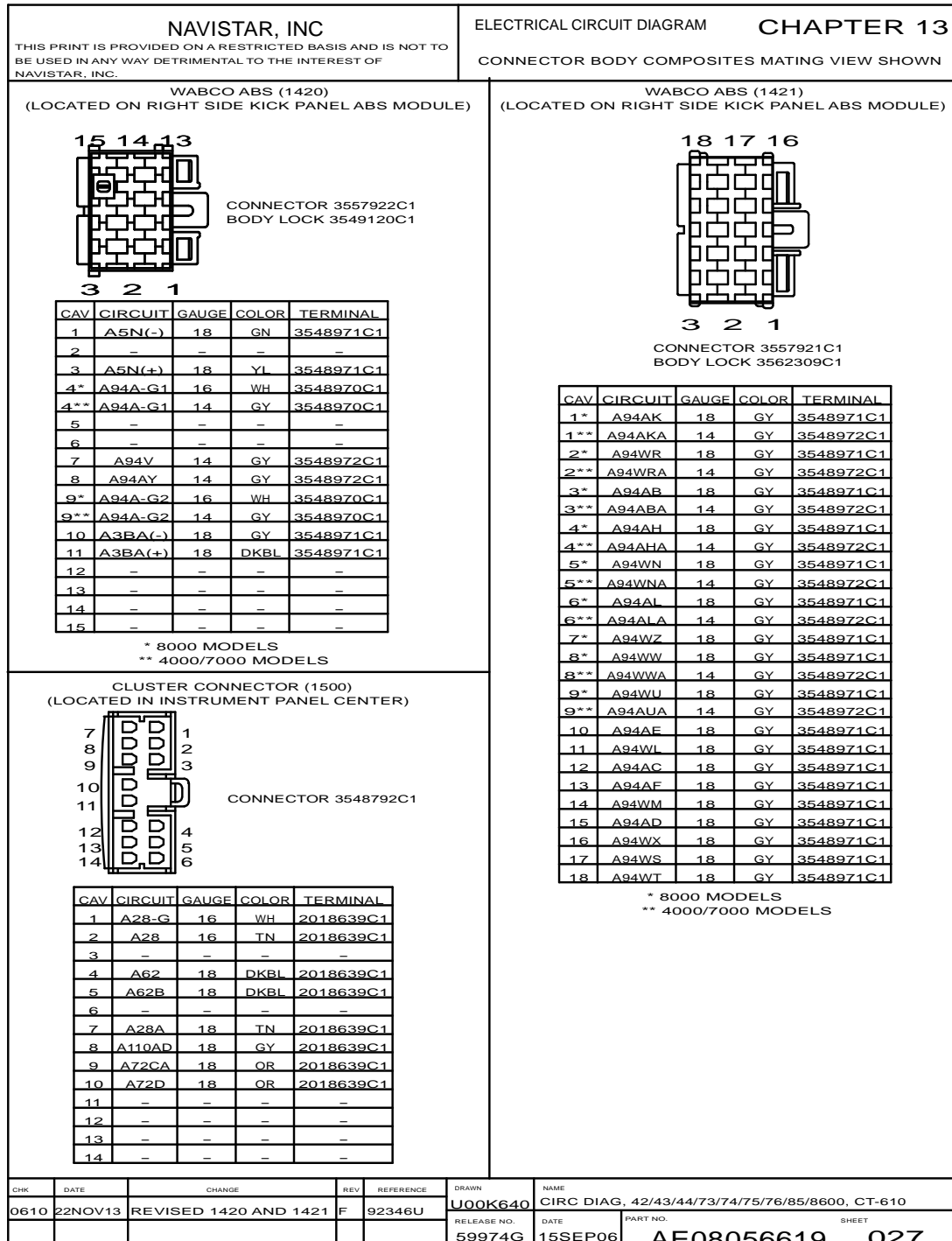


Figure 287 Connector Composites (1420), (1421), (1500)

13.34. CONNECTOR COMPOSITES (1501), (1510), (1511), (1512), P. 28

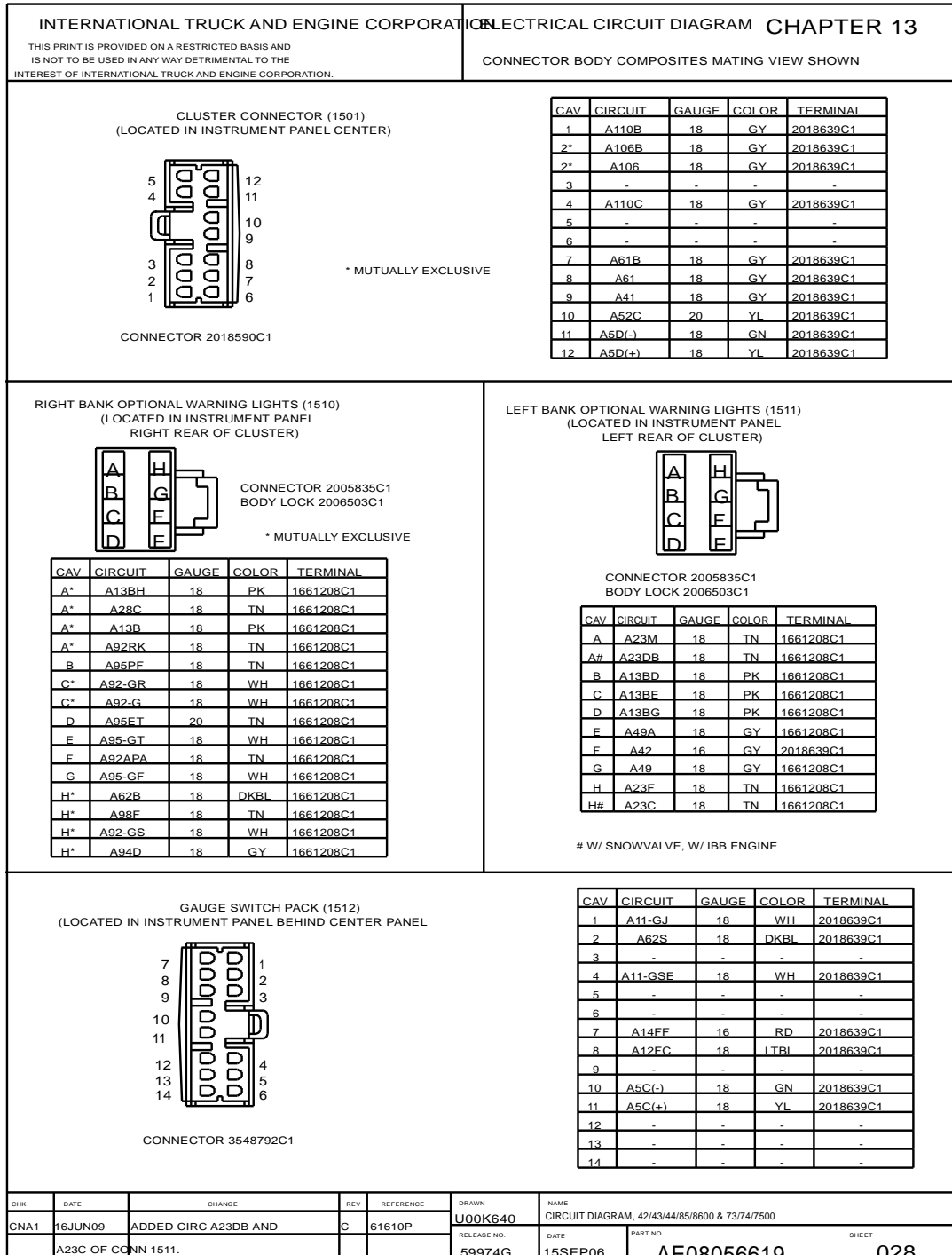


Figure 288 Connector Composites (1501), (1510), (1511), (1512)

13.35. CONNECTOR COMPOSITES (1556), (1557), (1558), (1600), P. 29

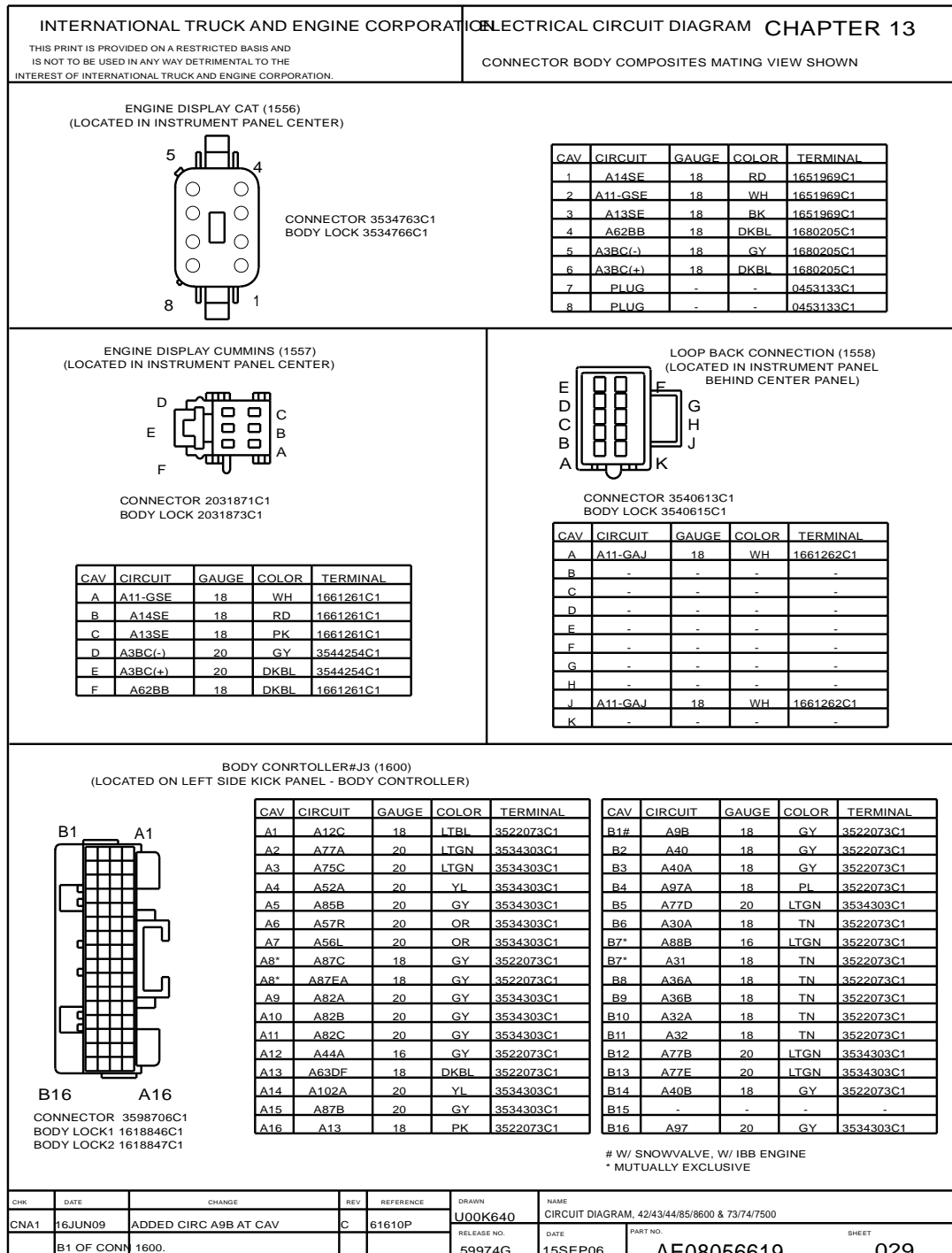


Figure 289 Connector Composites (1556), (1557), (1558), (1600)

13.36. CONNECTOR COMPOSITE (1601), P. 30

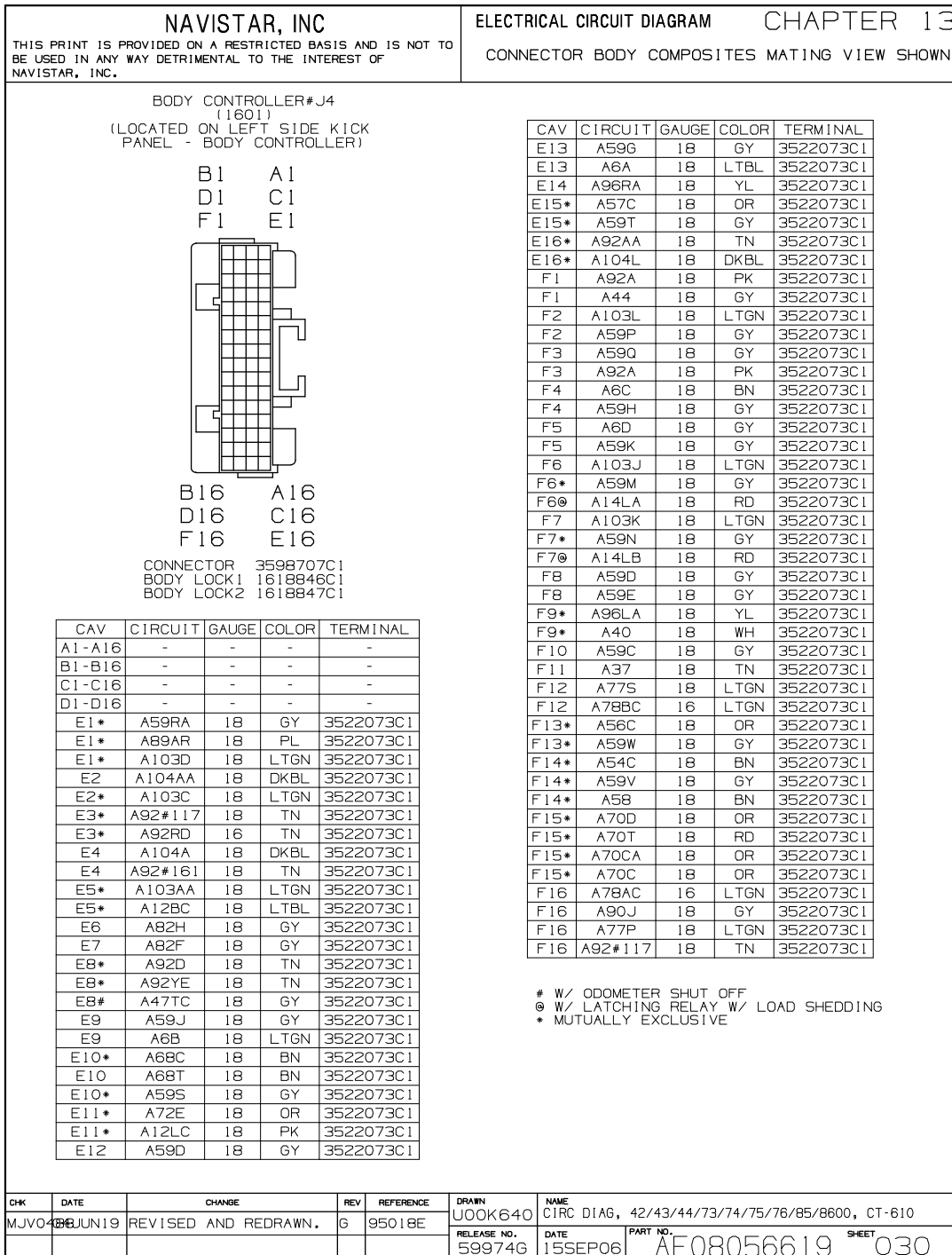


Figure 290 Connector Composite (1601)

13.37. CONNECTOR COMPOSITE (1602), P. 31

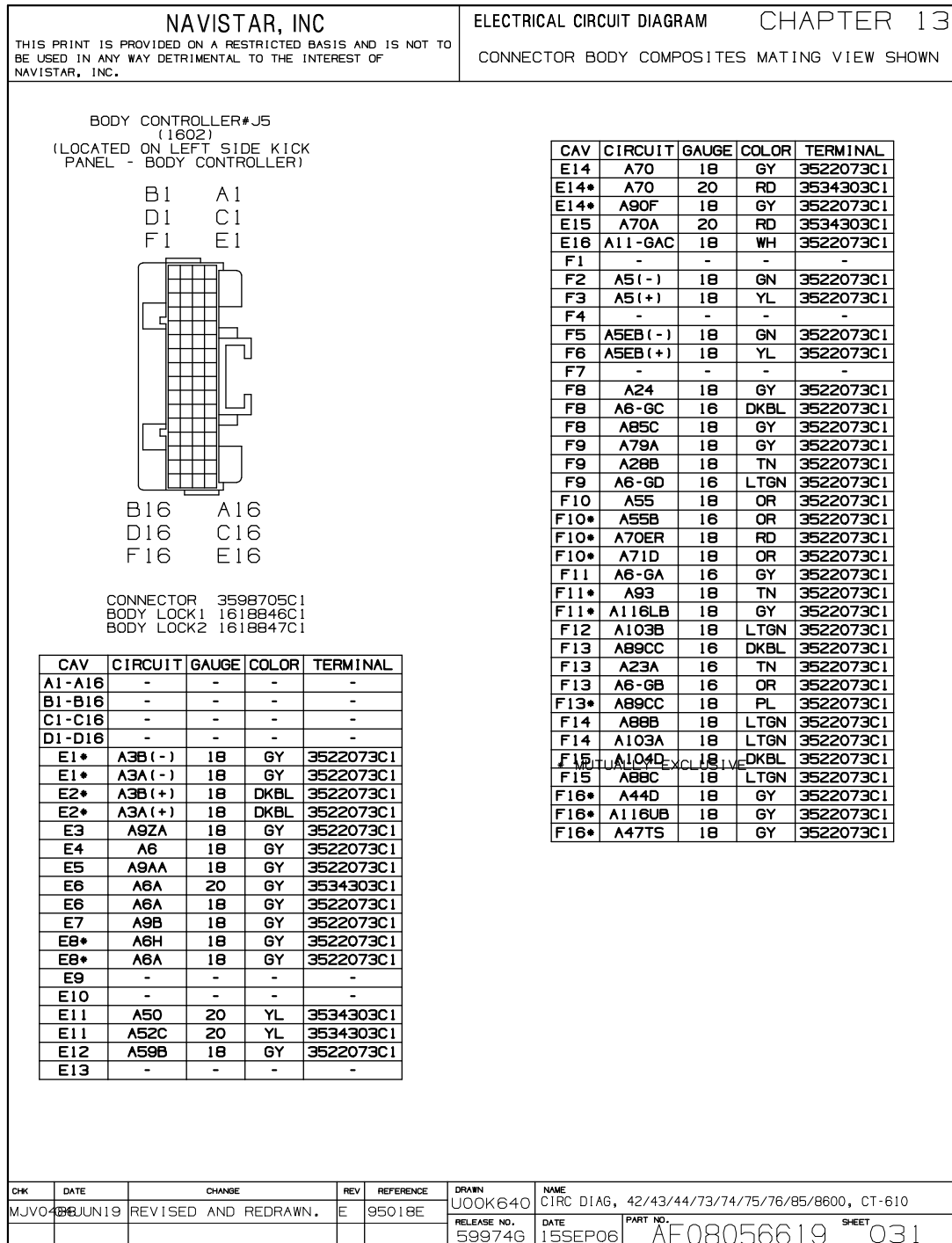


Figure 291 Connector Composite (1602)

13.38. CONNECTOR COMPOSITES (1603), (1604), (1620), (1623), P. 32

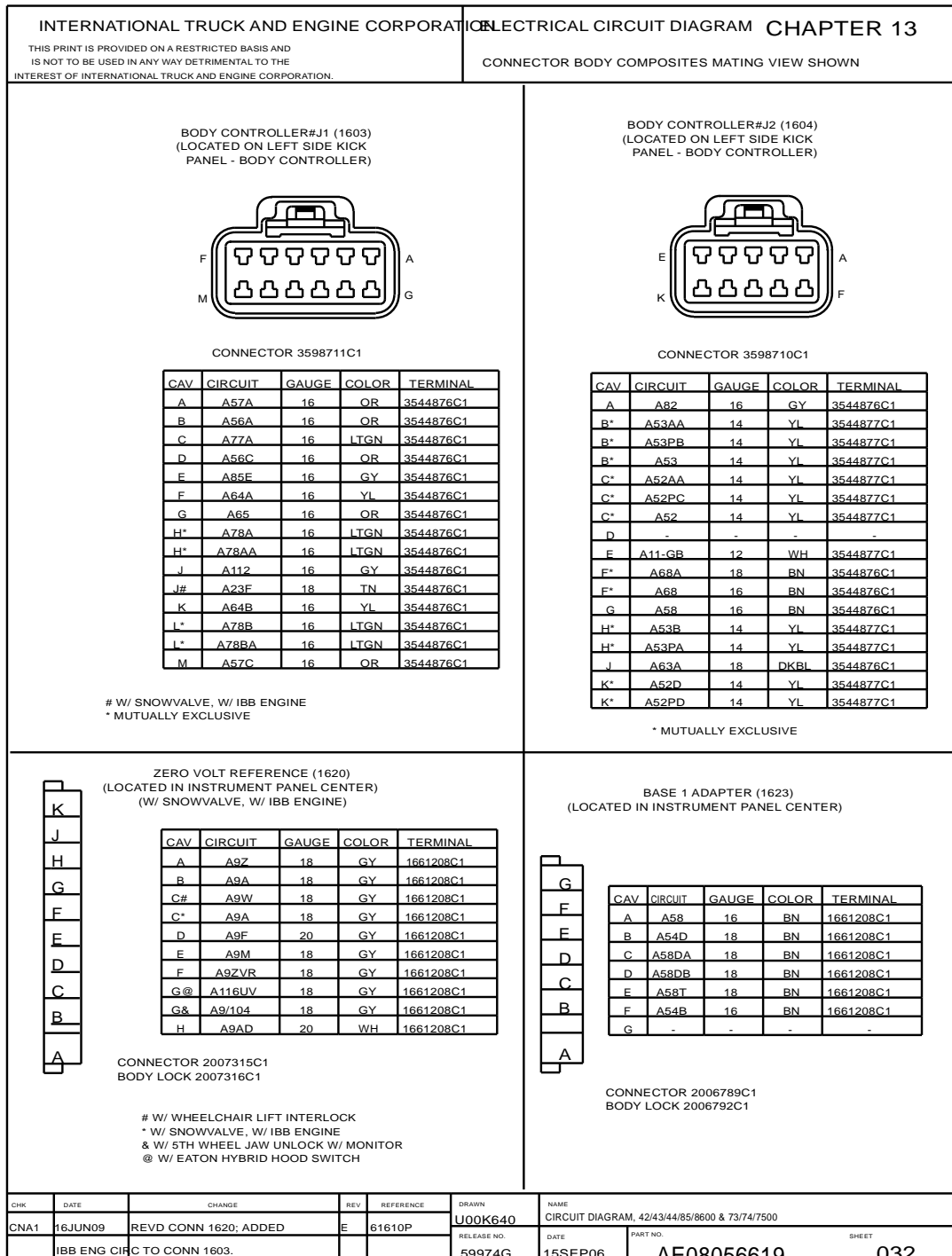


Figure 292 Connector Composites (1603), (1604), (1620), (1623)



13.39. CONNECTOR COMPOSITES (1625), (1626), (1650), (1657), P. 33

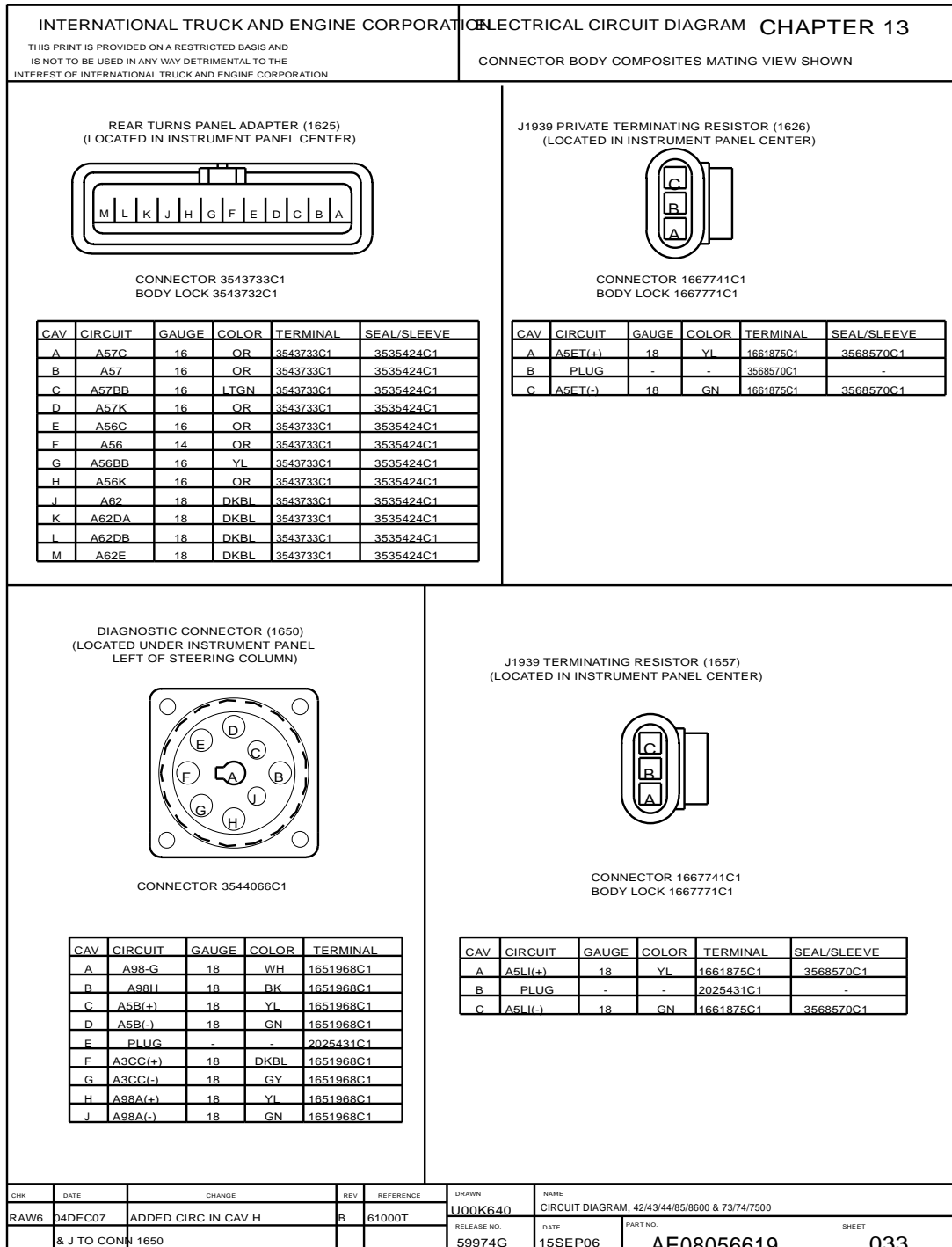


Figure 293 Connector Composites (1625), (1626), (1650), (1657)

13.40. CONNECTOR COMPOSITES (1660), (1661), P. 34

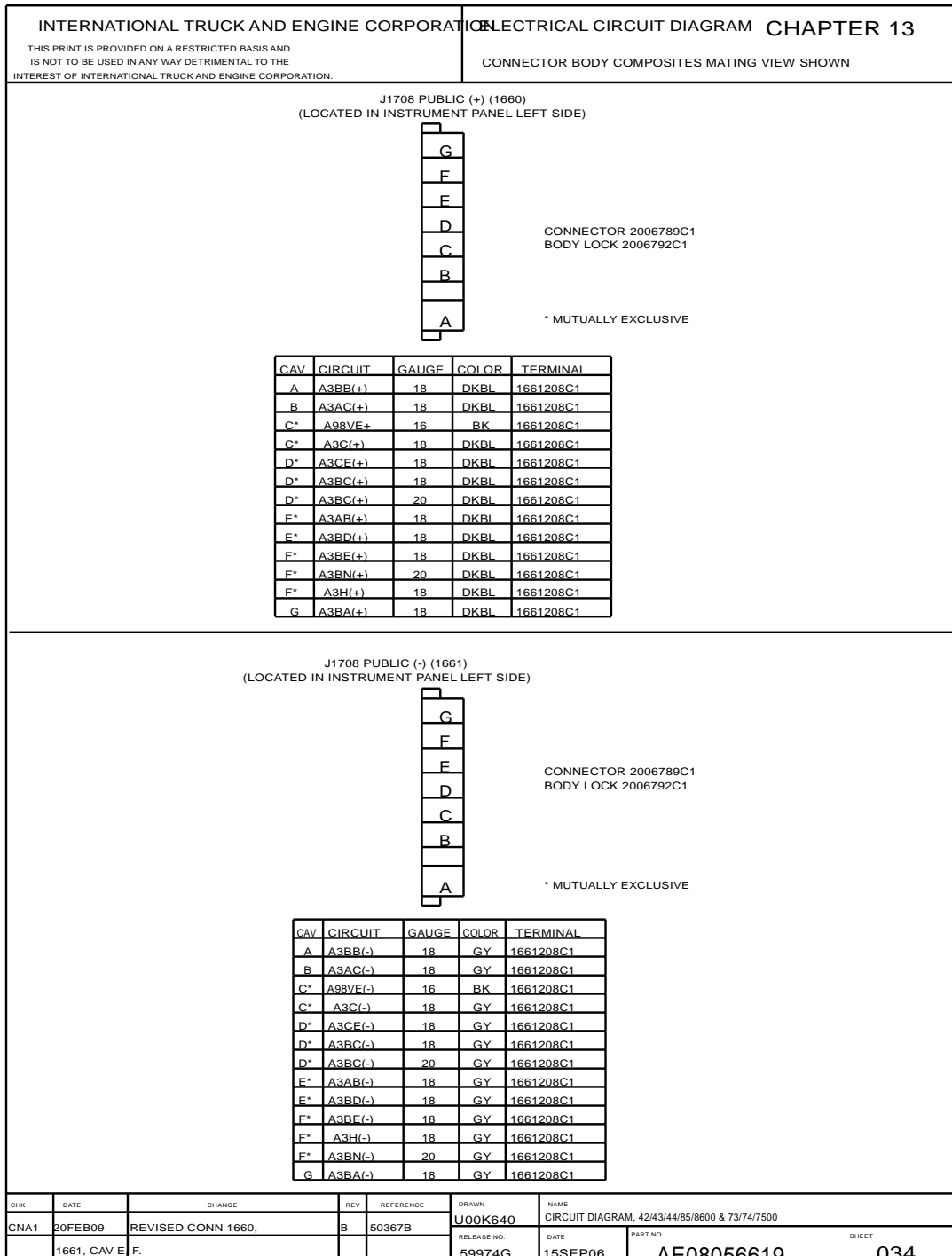


Figure 294 Connector Composites (1660), (1661)

13.41. CONNECTOR COMPOSITE (1700), P. 35

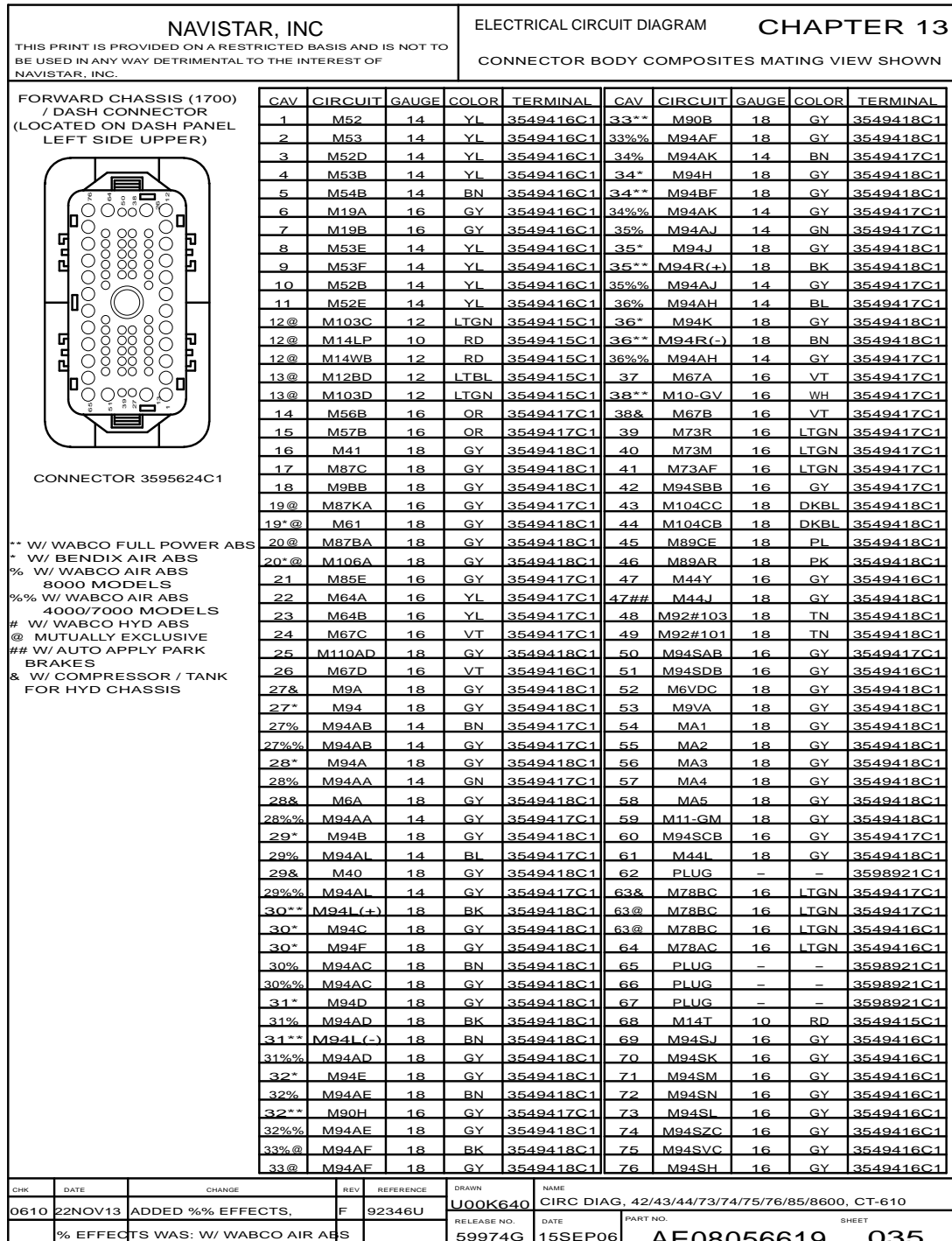


Figure 295 Connector Composite (1700)

13.42. CONNECTOR COMPOSITE (1700), P. 36

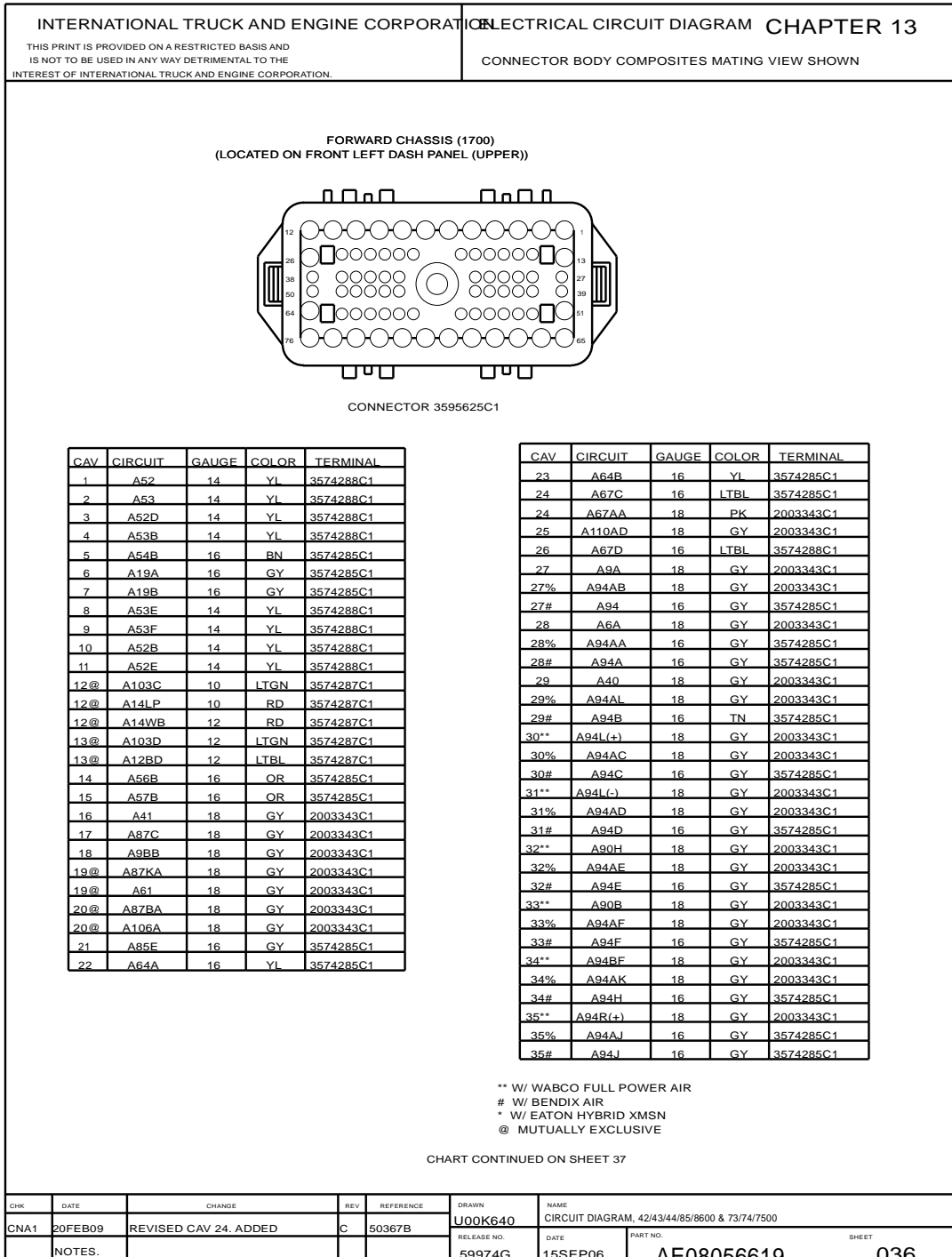


Figure 296 Connector Composite (1700)

13.43. CONNECTOR COMPOSITE (1700), P. 37

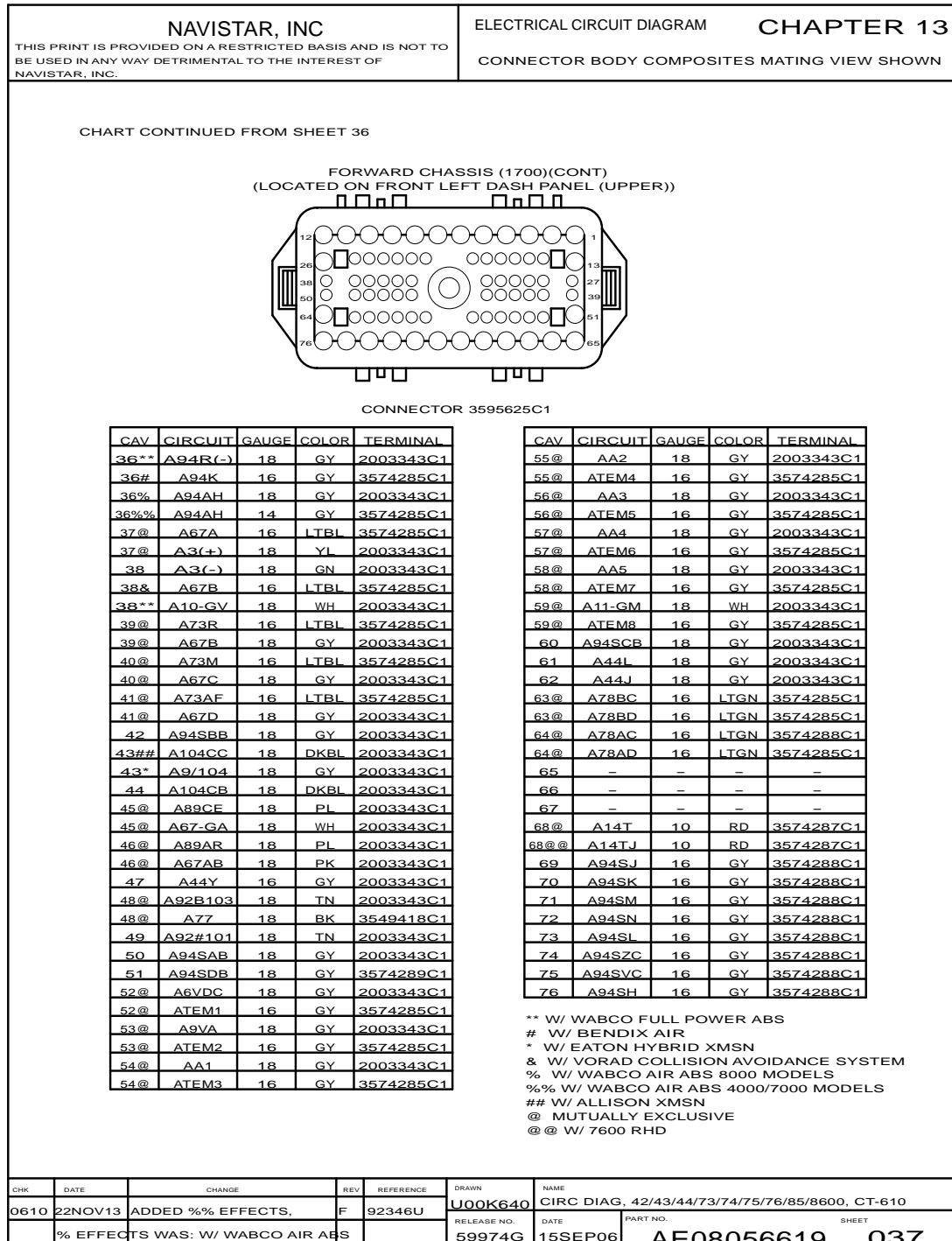


Figure 297 Connector Composite (1700)

13.44. CONNECTOR COMPOSITE (1701), P. 38

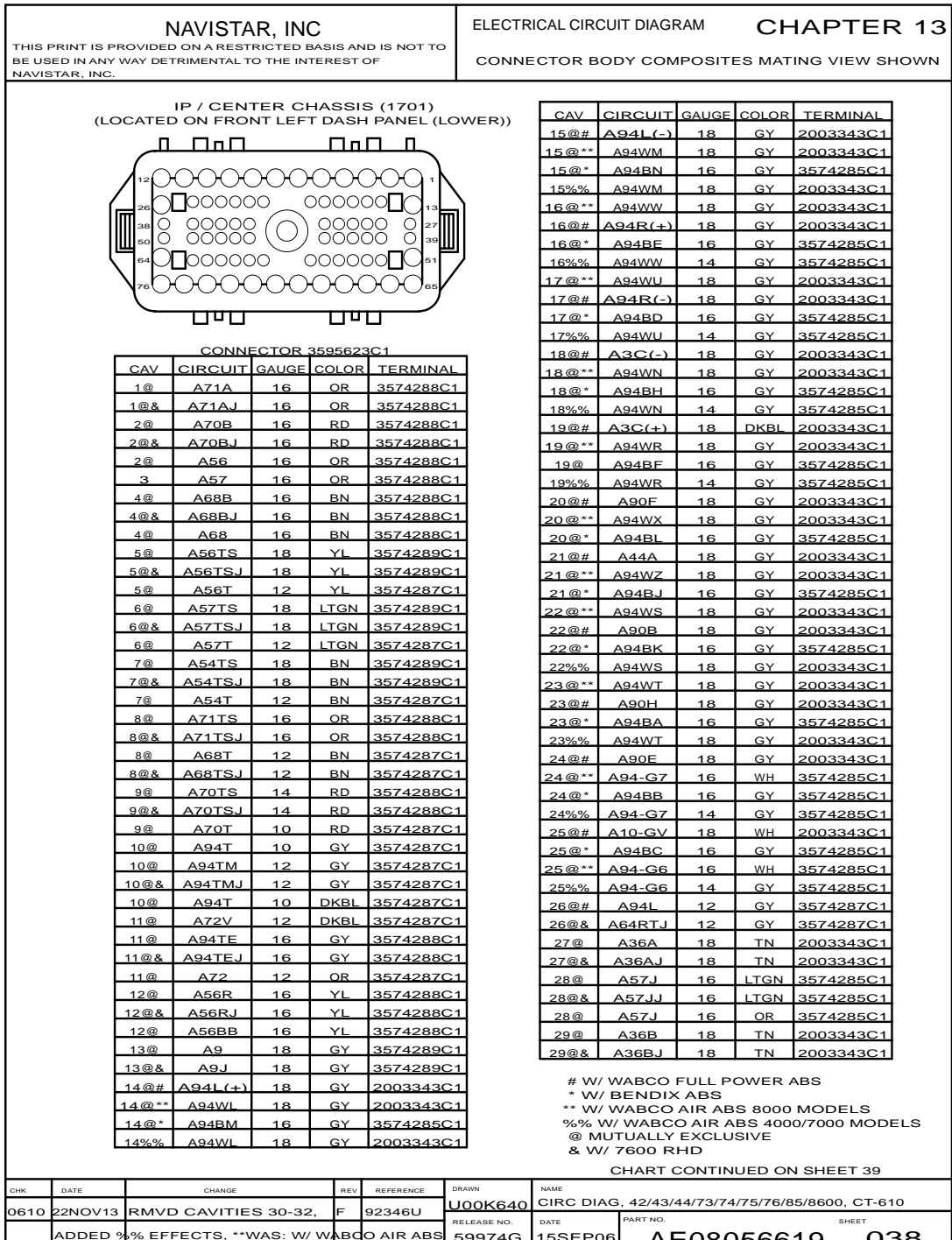


Figure 298 Connector Composite (1701)

13.45. CONNECTOR COMPOSITE (1701), P. 39

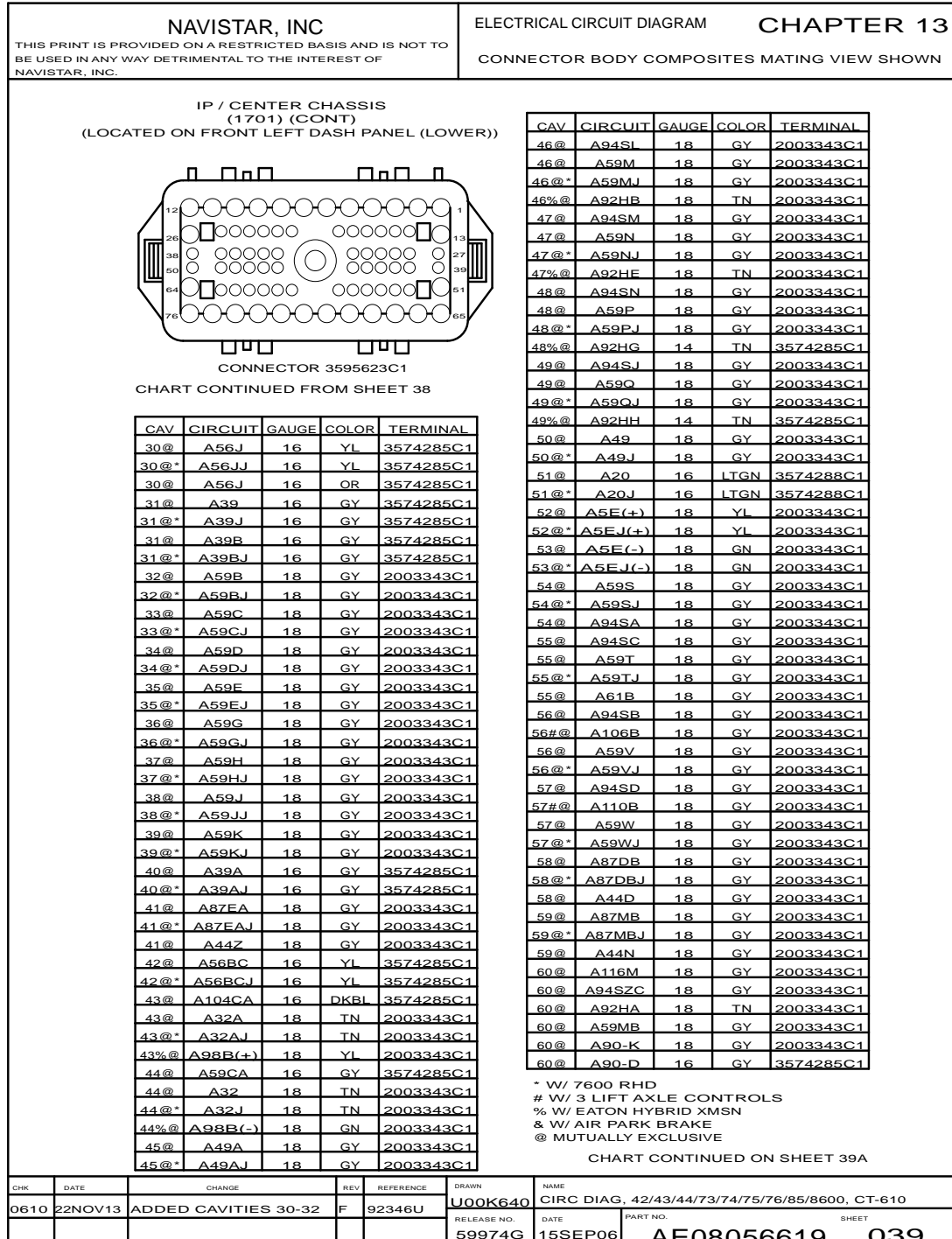


Figure 299 Connector Composite (1701)

13.46. CONNECTOR COMPOSITE (1701), P. 40

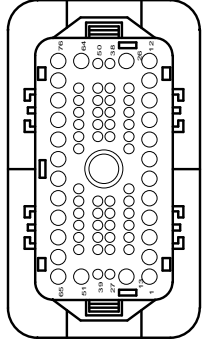
NAVISTAR, INC					ELECTRICAL CIRCUIT DIAGRAM					CHAPTER 13									
THIS PRINT IS PROVIDED ON A RESTRICTED BASIS AND IS NOT TO BE USED IN ANY WAY DETRIMENTAL TO THE INTEREST OF NAVISTAR, INC.										CONNECTOR BODY COMPOSITES MATING VIEW SHOWN									

CAV	CIRC	GA	COLOR	TERMINAL	CAV	CIRC	GA	COLOR	TERMINAL
1	N71A	14	OR	3549416C1	25%	N10-GV	16	WH	3549418C1
2	N56	14	OR	3549416C1	25#	N10-GV	16	WH	3549418C1
3	N57	14	OR	3549416C1	25**	N94-G6	16	WH	3549417C1
4	N68	14	BN	3549416C1	25%#	N94-G6	14	GY	3549417C1
5	N56T	10	YL	3549415C1	26#	N94L	12	GY	3549415C1
6	N57T	10	LTGN	3549415C1	27	N36A	18	TN	3549418C1
7	N54T	10	BN	3549415C1	28@	N57J	16	OR	3549417C1
8	N68T	10	BN	3549415C1	28@	N59EB	18	GY	3549418C1
9	N70T	10	RD	3549415C1	29	N36B	18	TN	3549418C1
10	N94T	10	GY	3549415C1	30	N56J	16	OR	3549417C1
11@	N72	12	OR	3549415C1	31	N39B	16	GY	3549417C1
11@	N72	10	OR	3549415C1	32	N59B	18	GY	3549418C1
12	N56BB	16	YL	3549416C1	33	N59C	18	GY	3549418C1
13	N9	16	GY	3549416C1	34	N59D	18	GY	3549418C1
14#	N94L(+)	18	GY	3549418C1	35	N59E	18	GY	3549418C1
14*	N94BM	16	GY	3549417C1	36	N59G	18	GY	3549418C1
14**	N94WL	16	GY	3549417C1	37	N59H	18	GY	3549418C1
14%#	N94WL	16	GY	3549417C1	38	N59J	18	GY	3549418C1
15#	N94L(-)	18	GY	3549418C1	39	N59K	18	GY	3549418C1
15*	N94BN	16	GY	3549417C1	40	N39A	18	GY	3549418C1
15**	N94WM	16	GY	3549417C1	41@	N87EA	18	GY	3549418C1
15%#	N94WM	16	GY	3549417C1	41&@	N92HA	18	TN	3549418C1
16*	N94BE	16	GY	3549417C1	42	N56BC	16	YL	3549417C1
16#	N94R(+)	18	GY	3549418C1	43@	N32A	18	TN	3549418C1
16**	N94WW	16	GY	3549417C1	43@	N104CA	16	DKBL	3549417C1
16%#	N94WW	14	GY	3549417C1	43&@	N98B(+)	18	YL	3549418C1
17*	N94BD	16	GY	3549417C1	44@	N32	18	TN	3549418C1
17#	N94R(-)	18	GY	3549418C1	44@	N59CA	16	GY	3549417C1
17**	N94WU	16	GY	3549417C1	44&@	N98B(-)	18	GN	3549418C1
17%#	N94WU	14	GY	3549417C1	45	N49A	18	GY	3549418C1
18*	N94BH	16	GY	3549417C1	46@	N59M	18	GY	3549418C1
18#	N3C(-)	18	GY	3549418C1	46&@	N92HB	18	TN	3549418C1
18**	N94WN	16	GY	3549417C1	47@	N59N	18	GY	3549418C1
18%#	N94WN	14	GY	3549417C1	47&@	N92HE	18	TN	3549418C1
19*	N94BF	16	GY	3549417C1	47@	N59EB	18	GY	3549418C1
19#	N3C(+)	18	DKBL	3549418C1	48@	N59P	18	GY	3549418C1
19**	N94WR	16	GY	3549417C1	48&@	N92HG	14	TN	3549417C1
19%#	N94WR	14	GY	3549417C1	49@	N59Q	18	GY	3549418C1
20*	N94BL	16	GY	3549417C1	49&@	N92HH	14	TN	3549417C1
20#	N90F	18	GY	3549418C1	50	N49	18	GY	3549418C1
20**	N94WX	18	GY	3549418C1	51	N20	16	LTGN	3549416C1
21*	N94BJ	16	GY	3549417C1	52	N5E(+)	18	YL	3549418C1
21#	N44A	18	GY	3549418C1	53	N5E(-)	18	GN	3549418C1
21**	N94WZ	18	GY	3549418C1	54	N59S	18	GY	3549418C1
22*	N94BK	16	GY	3549417C1	55@	N61B	18	GY	3549418C1
22#	N90B	18	GY	3549418C1	55@	N59T	18	GY	3549418C1
22**	N94WS	16	GY	3549417C1	56@	N106B	18	GY	3549418C1
22%#	N94WS	16	GY	3549417C1	56@	N59V	18	GY	3549418C1
23*	N94BA	16	GY	3549417C1	57@	N110B	18	GY	3549418C1
23#	N90H	18	GY	3549418C1	57@	N59W	18	GY	3549418C1
23**	N94WT	16	GY	3549417C1	58@	N87DB	18	GY	3549418C1
23%#	N94WT	16	GY	3549417C1	58@	N44M	18	GY	3549418C1
24*	N94BB	16	GY	3549417C1	59@	N87MB	16	GY	3549417C1
24%	N90E	18	GY	3549418C1	59@	N87MB	18	GY	3549418C1
24#	N90F	16	GY	3549418C1	60@	N90K	18	GY	3549418C1
24**	N94-G7	16	WH	3549417C1	60@	N59EF	18	GY	3549418C1
24%#	N94-G7	14	GY	3549417C1	61#@	N5A(-)	18	GN	3549418C1
25*	N94BC	16	GY	3549417C1	61@	N59EC	18	GY	3549418C1

IP / CENTER CHASSIS (1701)  
IP / CENTER CHASSIS (1701F) W/ CT-610 (CONT)  
(LOCATED ON FRONT LEFT DASH PANEL (LOWER))



CONNECTOR 3595622C1

\*\* W/ WABCO AIR ABS 8000 MODELS  
%# W/ WABCO AIR ABS 4000/7000 MODELS  
# W/ WABCO FULL POWER ABS  
\* W/ BENDIX AIR ABS  
% W/ AIR ACTUATED POWER PARK BRAKE & W/ EATON HYBRID XMSN  
@ MUTUALLY EXCLUSIVE

CAV	CIRC	GA	COLOR	TERMINAL
62#@	N5A(+)	18	YL	3549418C1
62@	N59ED	18	GY	3549418C1
63	N57BB	16	LTGN	3549417C1
64	N57BC	16	LTGN	3549416C1
65@	N42	16	GY	3549416C1
65&@	N92HD	12	TN	3549415C1
66	N112	16	GY	3549416C1
66&	N92HJ	12	TN	3549415C1
67	N19	16	GY	3549416C1
68	N65	16	OR	3549416C1
69	N44	16	GY	3549416C1
70#@	N94A	16	GY	3549416C1
70@	N71N	16	OR	3549416C1
70&@	N92HC	12	TN	3549415C1
71	N68BB	14	BN	3549416C1
72	N70BB	14	RD	3549416C1
73	N71BB	16	LTBL	3549416C1
74	N54BB	14	BN	3549416C1
75	N12BB	14	LTBL	3549416C1
76	N37D	16	TN	3549416C1

CHK	DATE	CHANGE	REV	REFERENCE	DRAWN	NAME
0610	22NOV13	ADDED %% EFFECTS,	F	92346U	U00K640	CIRC DIAG, 42/43/44/73/74/75/76/85/8600, CT-610
	**	EFFECTS WAS: W/ WABCO AIR ABS			59974G	15SEP06
						PART NO. AE08056619 SHEET 040

Figure 300 Connector Composite (1701)



13.47. CONNECTOR COMPOSITE (1702), P. 41

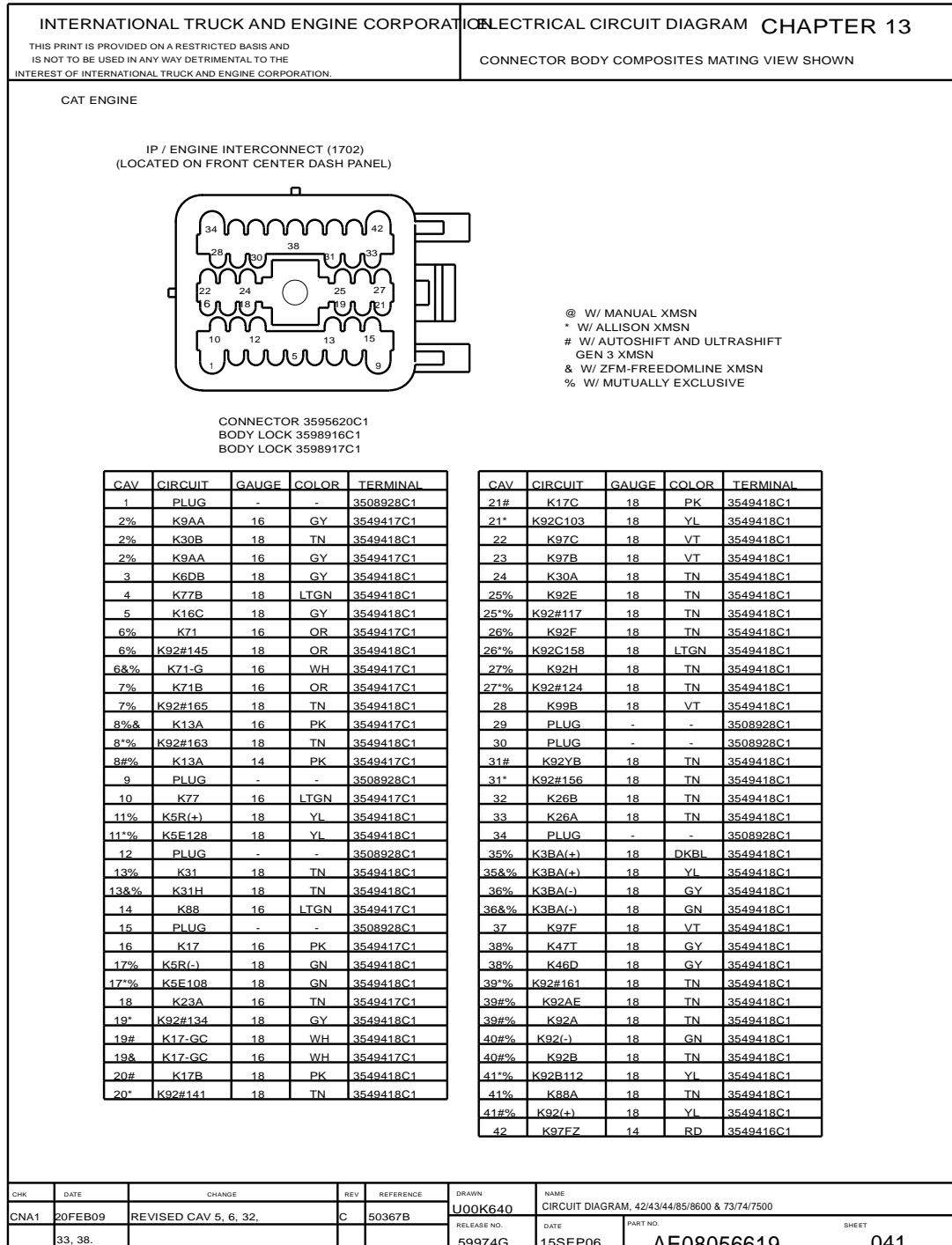


Figure 301 Connector Composite (1702)

13.48. CONNECTOR COMPOSITE (1702), P. 41A

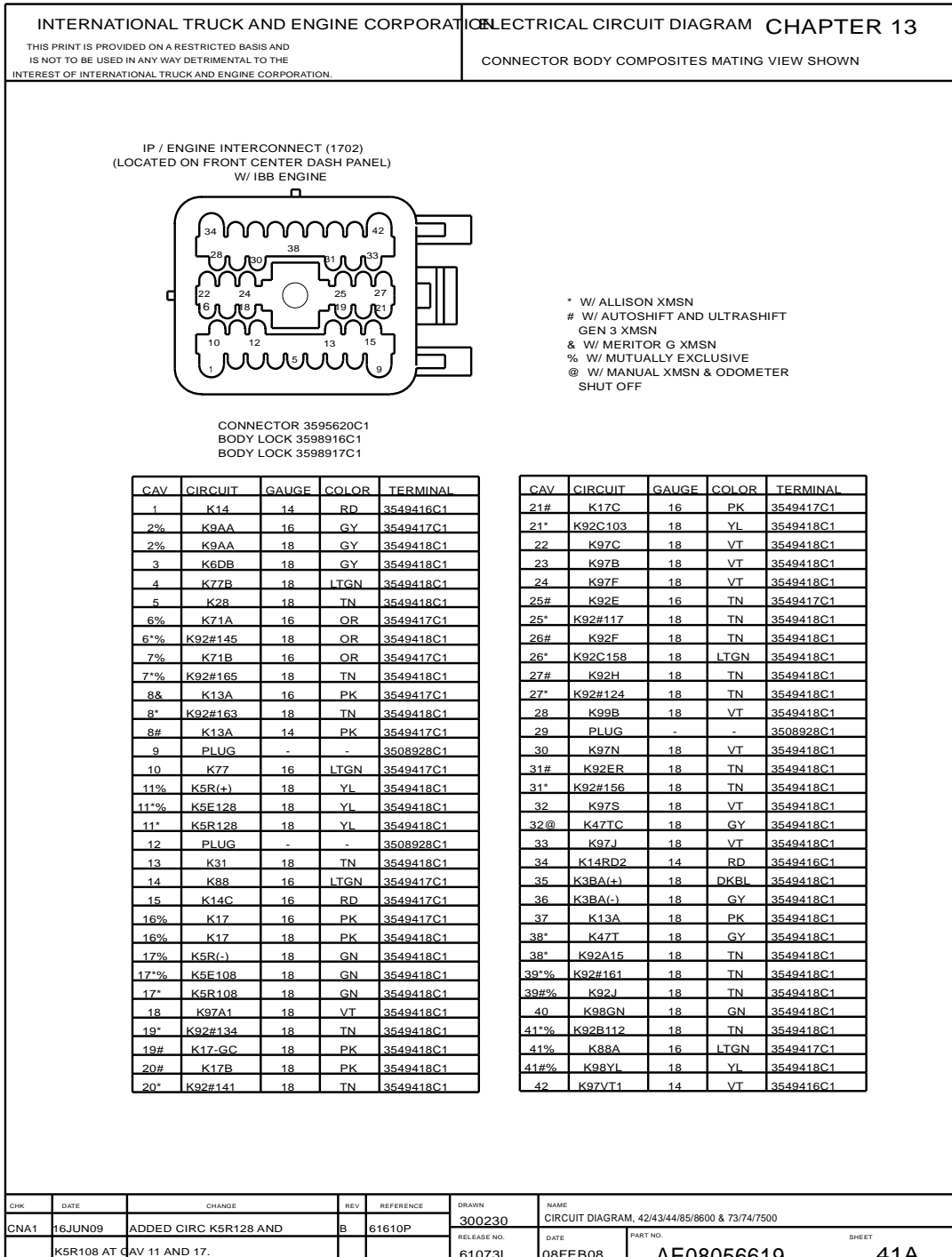


Figure 302 Connector Composite (1702)

13.49. CONNECTOR COMPOSITE (1702), P. 42

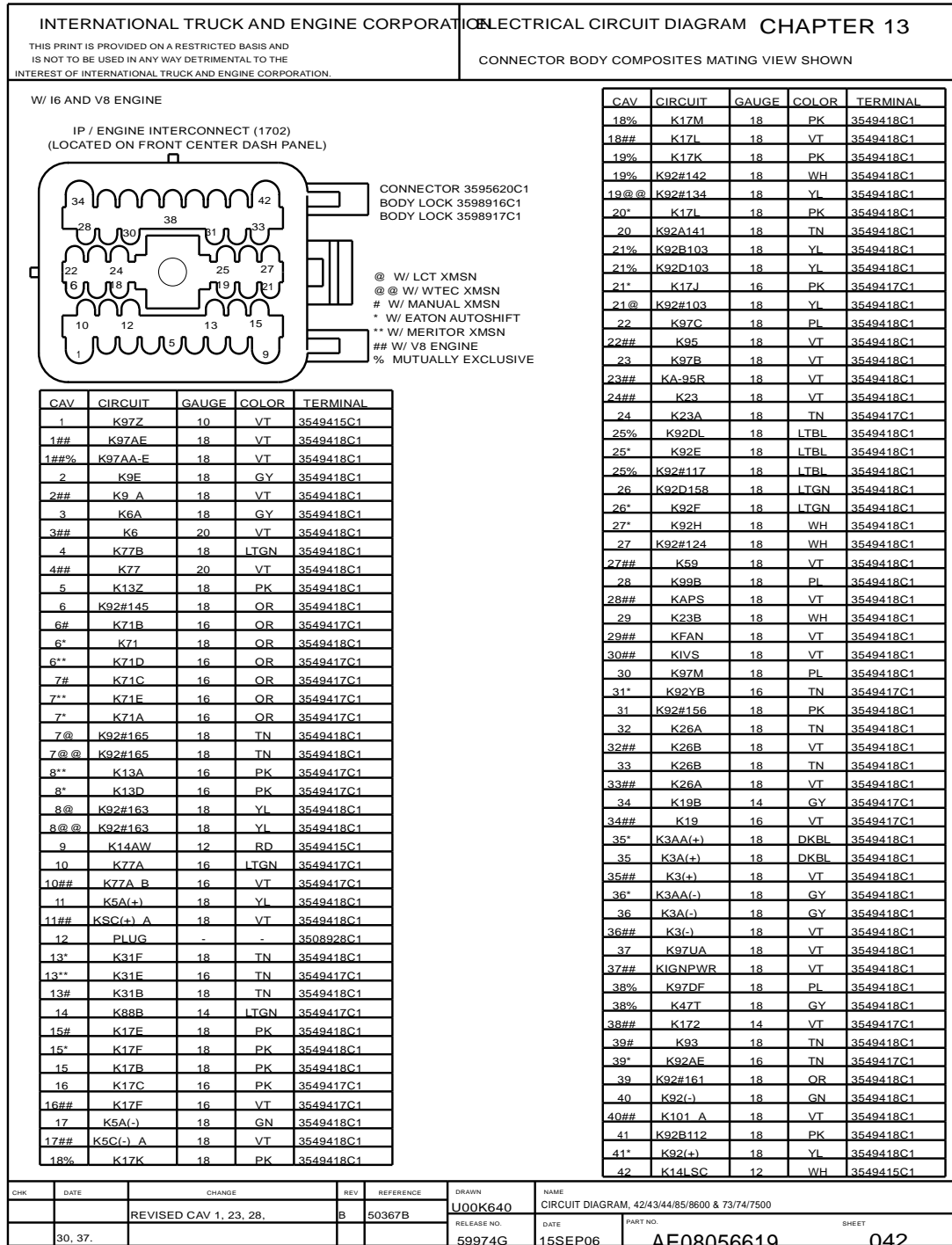


Figure 303 Connector Composite (1702)

13.50. CONNECTOR COMPOSITE (1702), P. 43

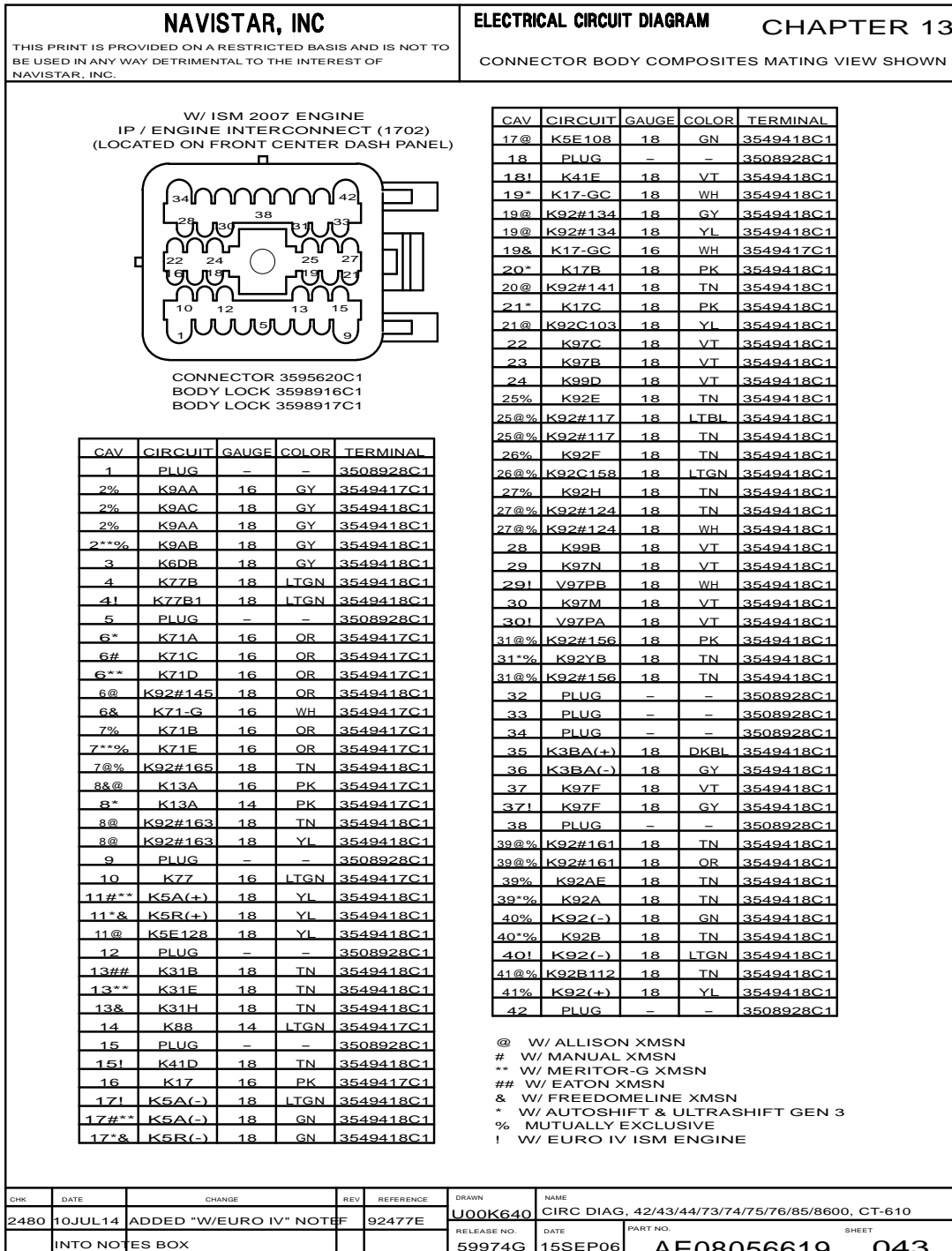


Figure 304 Connector Composite (1702)

13.51. CONNECTOR COMPOSITE (1809), (1810), (1811), (1812), (1813), (1814), P. 44

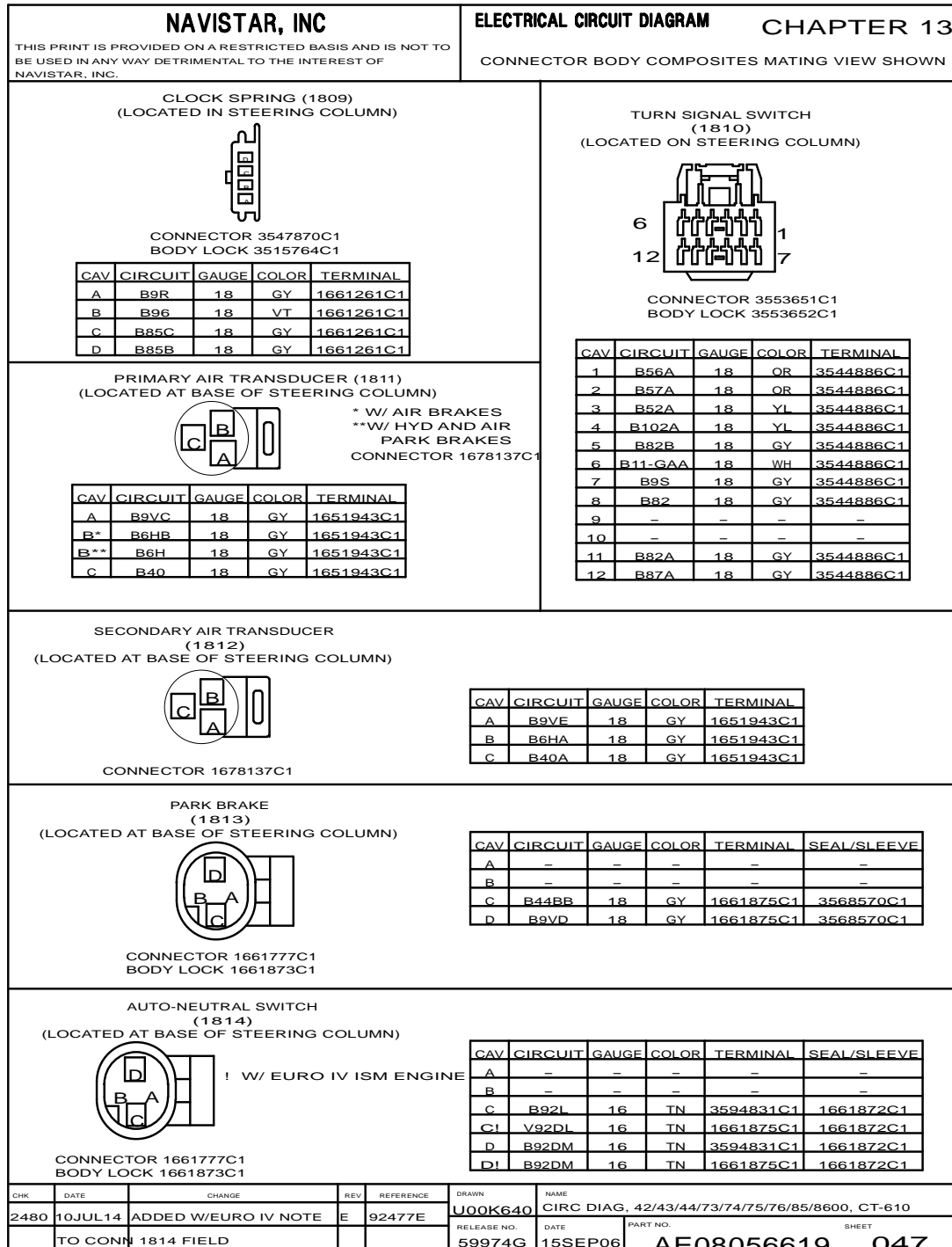


Figure 305 Connector Composite (1809), (1810), (1811), (1812), (1813), (1814)

13.52. CONNECTOR COMPOSITES (1800), P. 45

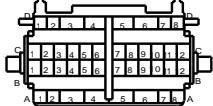
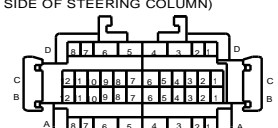
<p>INTERNATIONAL TRUCK AND ENGINE CORPORATION</p> <p>THIS PRINT IS PROVIDED ON A RESTRICTED BASIS AND IS NOT TO BE USED IN ANY WAY DETRIMENTAL TO THE INTEREST OF INTERNATIONAL TRUCK AND ENGINE CORPORATION.</p>  <p>CAB CONNECTION (1800) (LOCATED IN INSTRUMENT PANEL TO THE RIGHT OF STEERING COLUMN) CONNECTOR 3553649C1 BODY LOCK 3553650C1</p>	<p>ELECTRICAL CIRCUIT DIAGRAM CHAPTER 13</p> <p>CONNECTOR BODY COMPOSITES MATING VIEW SHOWN</p>  <p>DCM HARNESS CONNECTOR (1800) (LOCATED IN INSTRUMENT PANEL TO THE RIGHT SIDE OF STEERING COLUMN) CONNECTOR 3612512C1 BODY LOCK1 3553652C1 BODY LOCK2 3612513C1</p>																																																																																																																																																																																																																																																																																																																																																																																																																																																																																																					
<table border="1" style="width:100%; border-collapse: collapse;"> <thead> <tr> <th>CAV</th> <th>CIRCUIT</th> <th>GAUGE</th> <th>COLOR</th> <th>TERMINAL</th> </tr> </thead> <tbody> <tr><td>A1</td><td>A56L</td><td>20</td><td>OR</td><td>3544883C1</td></tr> <tr><td>A2</td><td>A57R</td><td>20</td><td>OR</td><td>3544883C1</td></tr> <tr><td>A3</td><td>A11-GA</td><td>18</td><td>WH</td><td>3544884C1</td></tr> <tr><td>A4</td><td>A9V</td><td>18</td><td>GY</td><td>3544884C1</td></tr> <tr><td>A5@</td><td>A87A</td><td>18</td><td>GY</td><td>3544884C1</td></tr> <tr><td>A5@</td><td>A87A</td><td>20</td><td>GY</td><td>3544883C1</td></tr> <tr><td>A6</td><td>A70A</td><td>20</td><td>RD</td><td>3544883C1</td></tr> <tr><td>A7</td><td>A52A</td><td>20</td><td>YL</td><td>3544883C1</td></tr> <tr><td>A8</td><td>A102A</td><td>20</td><td>YL</td><td>3544883C1</td></tr> <tr><td>B1</td><td>A82C</td><td>20</td><td>GY</td><td>3544883C1</td></tr> <tr><td>B2</td><td>A40A</td><td>18</td><td>GY</td><td>3544884C1</td></tr> <tr><td>B3@</td><td>A6</td><td>18</td><td>GY</td><td>3544884C1</td></tr> <tr><td>B3@</td><td>A6H</td><td>18</td><td>GY</td><td>3544884C1</td></tr> <tr><td>B4</td><td>A97B</td><td>18</td><td>PL</td><td>3544884C1</td></tr> <tr><td>B5</td><td>A97M</td><td>18</td><td>PL</td><td>3544884C1</td></tr> <tr><td>B5&amp;</td><td>A97N</td><td>18</td><td>PL</td><td>3544884C1</td></tr> <tr><td>B6</td><td>A97N</td><td>18</td><td>PL</td><td>3544884C1</td></tr> <tr><td>B7</td><td>A44A</td><td>16</td><td>GY</td><td>3544884C1</td></tr> <tr><td>B8</td><td>-</td><td>-</td><td>-</td><td>-</td></tr> <tr><td>B9</td><td>A70</td><td>20</td><td>RD</td><td>3544883C1</td></tr> <tr><td>B10</td><td>A85B</td><td>20</td><td>GY</td><td>3544883C1</td></tr> <tr><td>B11@</td><td>A85K</td><td>18</td><td>GY</td><td>3544884C1</td></tr> <tr><td>B11@</td><td>A85C</td><td>18</td><td>GY</td><td>3544884C1</td></tr> <tr><td>B12</td><td>A97</td><td>20</td><td>GY</td><td>3544883C1</td></tr> <tr><td>C1</td><td>A82B</td><td>20</td><td>GY</td><td>3544883C1</td></tr> <tr><td>C2</td><td>A40B</td><td>18</td><td>GY</td><td>3544884C1</td></tr> <tr><td>C3@</td><td>A94SV</td><td>18</td><td>GY</td><td>3544884C1</td></tr> <tr><td>C3@</td><td>A94SVE</td><td>18</td><td>GY</td><td>3544884C1</td></tr> <tr><td>C4</td><td>A99B</td><td>18</td><td>PL</td><td>3544884C1</td></tr> <tr><td>C5</td><td>A97C</td><td>18</td><td>PL</td><td>3544884C1</td></tr> <tr><td>C6*</td><td>A99E</td><td>18</td><td>PL</td><td>3544884C1</td></tr> <tr><td>C6**</td><td>A99D</td><td>18</td><td>PL</td><td>3544884C1</td></tr> <tr><td>C7</td><td>-</td><td>-</td><td>-</td><td>-</td></tr> <tr><td>C8</td><td>-</td><td>-</td><td>-</td><td>-</td></tr> <tr><td>C9</td><td>A82A</td><td>20</td><td>GY</td><td>3544883C1</td></tr> <tr><td>C10@</td><td>A94SZ</td><td>18</td><td>GY</td><td>3544884C1</td></tr> <tr><td>C10@</td><td>A94SZF</td><td>18</td><td>GY</td><td>3544884C1</td></tr> <tr><td>C11</td><td>A97A</td><td>18</td><td>PL</td><td>3544884C1</td></tr> <tr><td>C12</td><td>A40</td><td>18</td><td>GY</td><td>3544884C1</td></tr> <tr><td>D1@</td><td>A70EA</td><td>18</td><td>OR</td><td>3544884C1</td></tr> <tr><td>D1@</td><td>A14EB</td><td>18</td><td>RD</td><td>3544884C1</td></tr> <tr><td>D1@</td><td>A70R</td><td>18</td><td>OR</td><td>3544884C1</td></tr> <tr><td>D2@</td><td>A70DA</td><td>18</td><td>GY</td><td>3544884C1</td></tr> <tr><td>D2@</td><td>A14EBA</td><td>18</td><td>RD</td><td>3544884C1</td></tr> <tr><td>D2@</td><td>A70CD</td><td>16</td><td>LTBL</td><td>3544884C1</td></tr> <tr><td>D3</td><td>-</td><td>-</td><td>-</td><td>-</td></tr> <tr><td>D4</td><td>-</td><td>-</td><td>-</td><td>-</td></tr> <tr><td>D5</td><td>A94SE</td><td>16</td><td>GY</td><td>3544876C1</td></tr> <tr><td>D6</td><td>A94SF</td><td>16</td><td>GY</td><td>3544876C1</td></tr> <tr><td>D7#</td><td>A17A</td><td>18</td><td>PK</td><td>3544884C1</td></tr> <tr><td>D7*</td><td>A17B</td><td>18</td><td>PK</td><td>3544884C1</td></tr> <tr><td>D8*</td><td>A17HB</td><td>18</td><td>PK</td><td>3544884C1</td></tr> <tr><td>D8#</td><td>A17D</td><td>18</td><td>PK</td><td>3544884C1</td></tr> </tbody> </table>	CAV	CIRCUIT	GAUGE	COLOR	TERMINAL	A1	A56L	20	OR	3544883C1	A2	A57R	20	OR	3544883C1	A3	A11-GA	18	WH	3544884C1	A4	A9V	18	GY	3544884C1	A5@	A87A	18	GY	3544884C1	A5@	A87A	20	GY	3544883C1	A6	A70A	20	RD	3544883C1	A7	A52A	20	YL	3544883C1	A8	A102A	20	YL	3544883C1	B1	A82C	20	GY	3544883C1	B2	A40A	18	GY	3544884C1	B3@	A6	18	GY	3544884C1	B3@	A6H	18	GY	3544884C1	B4	A97B	18	PL	3544884C1	B5	A97M	18	PL	3544884C1	B5&	A97N	18	PL	3544884C1	B6	A97N	18	PL	3544884C1	B7	A44A	16	GY	3544884C1	B8	-	-	-	-	B9	A70	20	RD	3544883C1	B10	A85B	20	GY	3544883C1	B11@	A85K	18	GY	3544884C1	B11@	A85C	18	GY	3544884C1	B12	A97	20	GY	3544883C1	C1	A82B	20	GY	3544883C1	C2	A40B	18	GY	3544884C1	C3@	A94SV	18	GY	3544884C1	C3@	A94SVE	18	GY	3544884C1	C4	A99B	18	PL	3544884C1	C5	A97C	18	PL	3544884C1	C6*	A99E	18	PL	3544884C1	C6**	A99D	18	PL	3544884C1	C7	-	-	-	-	C8	-	-	-	-	C9	A82A	20	GY	3544883C1	C10@	A94SZ	18	GY	3544884C1	C10@	A94SZF	18	GY	3544884C1	C11	A97A	18	PL	3544884C1	C12	A40	18	GY	3544884C1	D1@	A70EA	18	OR	3544884C1	D1@	A14EB	18	RD	3544884C1	D1@	A70R	18	OR	3544884C1	D2@	A70DA	18	GY	3544884C1	D2@	A14EBA	18	RD	3544884C1	D2@	A70CD	16	LTBL	3544884C1	D3	-	-	-	-	D4	-	-	-	-	D5	A94SE	16	GY	3544876C1	D6	A94SF	16	GY	3544876C1	D7#	A17A	18	PK	3544884C1	D7*	A17B	18	PK	3544884C1	D8*	A17HB	18	PK	3544884C1	D8#	A17D	18	PK	3544884C1	<table border="1" style="width:100%; border-collapse: collapse;"> <thead> <tr> <th>CAV</th> <th>CIRCUIT</th> <th>GAUGE</th> <th>COLOR</th> <th>TERMINAL</th> </tr> </thead> <tbody> <tr><td>A1</td><td>B56A</td><td>18</td><td>OR</td><td>3544886C1</td></tr> <tr><td>A2</td><td>B57A</td><td>18</td><td>OR</td><td>3544886C1</td></tr> <tr><td>A3</td><td>B11-GAA</td><td>18</td><td>WH</td><td>3544880C1</td></tr> <tr><td>A4</td><td>B9V</td><td>18</td><td>GY</td><td>3544880C1</td></tr> <tr><td>A5</td><td>B87A</td><td>18</td><td>GY</td><td>3544880C1</td></tr> <tr><td>A6</td><td>B70A</td><td>18</td><td>OR</td><td>3544880C1</td></tr> <tr><td>A7</td><td>B52A</td><td>18</td><td>YL</td><td>3544886C1</td></tr> <tr><td>A8</td><td>B102A</td><td>18</td><td>YL</td><td>3544886C1</td></tr> <tr><td>B1</td><td>B82B</td><td>18</td><td>GY</td><td>3544886C1</td></tr> <tr><td>B2</td><td>B40A</td><td>18</td><td>GY</td><td>3544886C1</td></tr> <tr><td>B3</td><td>B6H</td><td>18</td><td>GY</td><td>3544886C1</td></tr> <tr><td>B4</td><td>B97Y</td><td>18</td><td>PL</td><td>3544886C1</td></tr> <tr><td>B5</td><td>B99U</td><td>18</td><td>PL</td><td>3544886C1</td></tr> <tr><td>B6%</td><td>B40G</td><td>18</td><td>BK</td><td>3544886C1</td></tr> <tr><td>B6%#</td><td>B99W</td><td>18</td><td>PL</td><td>3544886C1</td></tr> <tr><td>B7</td><td>B44BB</td><td>18</td><td>GY</td><td>3544886C1</td></tr> <tr><td>B8</td><td>-</td><td>-</td><td>-</td><td>-</td></tr> <tr><td>B9</td><td>B70</td><td>18</td><td>OR</td><td>3544886C1</td></tr> <tr><td>B10</td><td>B85B</td><td>18</td><td>GY</td><td>3544886C1</td></tr> <tr><td>B11</td><td>B85C</td><td>18</td><td>GY</td><td>3544886C1</td></tr> <tr><td>B12</td><td>B96</td><td>18</td><td>PL</td><td>3544886C1</td></tr> <tr><td>C1</td><td>B82A</td><td>18</td><td>GY</td><td>3544886C1</td></tr> <tr><td>C2</td><td>B40F</td><td>18</td><td>GY</td><td>3544886C1</td></tr> <tr><td>C3</td><td>B94SV</td><td>18</td><td>GY</td><td>3544886C1</td></tr> <tr><td>C4</td><td>B99V</td><td>18</td><td>PL</td><td>3544886C1</td></tr> <tr><td>C5</td><td>B97P</td><td>18</td><td>PL</td><td>3544886C1</td></tr> <tr><td>C6</td><td>B99E</td><td>18</td><td>PL</td><td>3544886C1</td></tr> <tr><td>C7</td><td>-</td><td>-</td><td>-</td><td>-</td></tr> <tr><td>C8</td><td>-</td><td>-</td><td>-</td><td>-</td></tr> <tr><td>C9</td><td>B82</td><td>18</td><td>GY</td><td>3544886C1</td></tr> <tr><td>C10</td><td>B94SZ</td><td>18</td><td>GY</td><td>3544886C1</td></tr> <tr><td>C11</td><td>B96A</td><td>18</td><td>PL</td><td>3544886C1</td></tr> <tr><td>C12%</td><td>B40G</td><td>18</td><td>BK</td><td>3544886C1</td></tr> <tr><td>C12%#</td><td>B40</td><td>18</td><td>GY</td><td>3544886C1</td></tr> <tr><td>D1</td><td>B70R</td><td>18</td><td>OR</td><td>3544886C1</td></tr> <tr><td>D2</td><td>B70CD</td><td>18</td><td>GY</td><td>3544886C1</td></tr> <tr><td>D3</td><td>-</td><td>-</td><td>-</td><td>-</td></tr> <tr><td>D4</td><td>-</td><td>-</td><td>-</td><td>-</td></tr> <tr><td>D5</td><td>B94SE</td><td>18</td><td>GY</td><td>3544880C1</td></tr> <tr><td>D6</td><td>B94SF</td><td>18</td><td>GY</td><td>3544880C1</td></tr> <tr><td>D7</td><td>B17J</td><td>18</td><td>PK</td><td>3544886C1</td></tr> <tr><td>D8</td><td>B17H</td><td>18</td><td>PK</td><td>3544886C1</td></tr> </tbody> </table>	CAV	CIRCUIT	GAUGE	COLOR	TERMINAL	A1	B56A	18	OR	3544886C1	A2	B57A	18	OR	3544886C1	A3	B11-GAA	18	WH	3544880C1	A4	B9V	18	GY	3544880C1	A5	B87A	18	GY	3544880C1	A6	B70A	18	OR	3544880C1	A7	B52A	18	YL	3544886C1	A8	B102A	18	YL	3544886C1	B1	B82B	18	GY	3544886C1	B2	B40A	18	GY	3544886C1	B3	B6H	18	GY	3544886C1	B4	B97Y	18	PL	3544886C1	B5	B99U	18	PL	3544886C1	B6%	B40G	18	BK	3544886C1	B6%#	B99W	18	PL	3544886C1	B7	B44BB	18	GY	3544886C1	B8	-	-	-	-	B9	B70	18	OR	3544886C1	B10	B85B	18	GY	3544886C1	B11	B85C	18	GY	3544886C1	B12	B96	18	PL	3544886C1	C1	B82A	18	GY	3544886C1	C2	B40F	18	GY	3544886C1	C3	B94SV	18	GY	3544886C1	C4	B99V	18	PL	3544886C1	C5	B97P	18	PL	3544886C1	C6	B99E	18	PL	3544886C1	C7	-	-	-	-	C8	-	-	-	-	C9	B82	18	GY	3544886C1	C10	B94SZ	18	GY	3544886C1	C11	B96A	18	PL	3544886C1	C12%	B40G	18	BK	3544886C1	C12%#	B40	18	GY	3544886C1	D1	B70R	18	OR	3544886C1	D2	B70CD	18	GY	3544886C1	D3	-	-	-	-	D4	-	-	-	-	D5	B94SE	18	GY	3544880C1	D6	B94SF	18	GY	3544880C1	D7	B17J	18	PK	3544886C1	D8	B17H	18	PK	3544886C1
CAV	CIRCUIT	GAUGE	COLOR	TERMINAL																																																																																																																																																																																																																																																																																																																																																																																																																																																																																																		
A1	A56L	20	OR	3544883C1																																																																																																																																																																																																																																																																																																																																																																																																																																																																																																		
A2	A57R	20	OR	3544883C1																																																																																																																																																																																																																																																																																																																																																																																																																																																																																																		
A3	A11-GA	18	WH	3544884C1																																																																																																																																																																																																																																																																																																																																																																																																																																																																																																		
A4	A9V	18	GY	3544884C1																																																																																																																																																																																																																																																																																																																																																																																																																																																																																																		
A5@	A87A	18	GY	3544884C1																																																																																																																																																																																																																																																																																																																																																																																																																																																																																																		
A5@	A87A	20	GY	3544883C1																																																																																																																																																																																																																																																																																																																																																																																																																																																																																																		
A6	A70A	20	RD	3544883C1																																																																																																																																																																																																																																																																																																																																																																																																																																																																																																		
A7	A52A	20	YL	3544883C1																																																																																																																																																																																																																																																																																																																																																																																																																																																																																																		
A8	A102A	20	YL	3544883C1																																																																																																																																																																																																																																																																																																																																																																																																																																																																																																		
B1	A82C	20	GY	3544883C1																																																																																																																																																																																																																																																																																																																																																																																																																																																																																																		
B2	A40A	18	GY	3544884C1																																																																																																																																																																																																																																																																																																																																																																																																																																																																																																		
B3@	A6	18	GY	3544884C1																																																																																																																																																																																																																																																																																																																																																																																																																																																																																																		
B3@	A6H	18	GY	3544884C1																																																																																																																																																																																																																																																																																																																																																																																																																																																																																																		
B4	A97B	18	PL	3544884C1																																																																																																																																																																																																																																																																																																																																																																																																																																																																																																		
B5	A97M	18	PL	3544884C1																																																																																																																																																																																																																																																																																																																																																																																																																																																																																																		
B5&	A97N	18	PL	3544884C1																																																																																																																																																																																																																																																																																																																																																																																																																																																																																																		
B6	A97N	18	PL	3544884C1																																																																																																																																																																																																																																																																																																																																																																																																																																																																																																		
B7	A44A	16	GY	3544884C1																																																																																																																																																																																																																																																																																																																																																																																																																																																																																																		
B8	-	-	-	-																																																																																																																																																																																																																																																																																																																																																																																																																																																																																																		
B9	A70	20	RD	3544883C1																																																																																																																																																																																																																																																																																																																																																																																																																																																																																																		
B10	A85B	20	GY	3544883C1																																																																																																																																																																																																																																																																																																																																																																																																																																																																																																		
B11@	A85K	18	GY	3544884C1																																																																																																																																																																																																																																																																																																																																																																																																																																																																																																		
B11@	A85C	18	GY	3544884C1																																																																																																																																																																																																																																																																																																																																																																																																																																																																																																		
B12	A97	20	GY	3544883C1																																																																																																																																																																																																																																																																																																																																																																																																																																																																																																		
C1	A82B	20	GY	3544883C1																																																																																																																																																																																																																																																																																																																																																																																																																																																																																																		
C2	A40B	18	GY	3544884C1																																																																																																																																																																																																																																																																																																																																																																																																																																																																																																		
C3@	A94SV	18	GY	3544884C1																																																																																																																																																																																																																																																																																																																																																																																																																																																																																																		
C3@	A94SVE	18	GY	3544884C1																																																																																																																																																																																																																																																																																																																																																																																																																																																																																																		
C4	A99B	18	PL	3544884C1																																																																																																																																																																																																																																																																																																																																																																																																																																																																																																		
C5	A97C	18	PL	3544884C1																																																																																																																																																																																																																																																																																																																																																																																																																																																																																																		
C6*	A99E	18	PL	3544884C1																																																																																																																																																																																																																																																																																																																																																																																																																																																																																																		
C6**	A99D	18	PL	3544884C1																																																																																																																																																																																																																																																																																																																																																																																																																																																																																																		
C7	-	-	-	-																																																																																																																																																																																																																																																																																																																																																																																																																																																																																																		
C8	-	-	-	-																																																																																																																																																																																																																																																																																																																																																																																																																																																																																																		
C9	A82A	20	GY	3544883C1																																																																																																																																																																																																																																																																																																																																																																																																																																																																																																		
C10@	A94SZ	18	GY	3544884C1																																																																																																																																																																																																																																																																																																																																																																																																																																																																																																		
C10@	A94SZF	18	GY	3544884C1																																																																																																																																																																																																																																																																																																																																																																																																																																																																																																		
C11	A97A	18	PL	3544884C1																																																																																																																																																																																																																																																																																																																																																																																																																																																																																																		
C12	A40	18	GY	3544884C1																																																																																																																																																																																																																																																																																																																																																																																																																																																																																																		
D1@	A70EA	18	OR	3544884C1																																																																																																																																																																																																																																																																																																																																																																																																																																																																																																		
D1@	A14EB	18	RD	3544884C1																																																																																																																																																																																																																																																																																																																																																																																																																																																																																																		
D1@	A70R	18	OR	3544884C1																																																																																																																																																																																																																																																																																																																																																																																																																																																																																																		
D2@	A70DA	18	GY	3544884C1																																																																																																																																																																																																																																																																																																																																																																																																																																																																																																		
D2@	A14EBA	18	RD	3544884C1																																																																																																																																																																																																																																																																																																																																																																																																																																																																																																		
D2@	A70CD	16	LTBL	3544884C1																																																																																																																																																																																																																																																																																																																																																																																																																																																																																																		
D3	-	-	-	-																																																																																																																																																																																																																																																																																																																																																																																																																																																																																																		
D4	-	-	-	-																																																																																																																																																																																																																																																																																																																																																																																																																																																																																																		
D5	A94SE	16	GY	3544876C1																																																																																																																																																																																																																																																																																																																																																																																																																																																																																																		
D6	A94SF	16	GY	3544876C1																																																																																																																																																																																																																																																																																																																																																																																																																																																																																																		
D7#	A17A	18	PK	3544884C1																																																																																																																																																																																																																																																																																																																																																																																																																																																																																																		
D7*	A17B	18	PK	3544884C1																																																																																																																																																																																																																																																																																																																																																																																																																																																																																																		
D8*	A17HB	18	PK	3544884C1																																																																																																																																																																																																																																																																																																																																																																																																																																																																																																		
D8#	A17D	18	PK	3544884C1																																																																																																																																																																																																																																																																																																																																																																																																																																																																																																		
CAV	CIRCUIT	GAUGE	COLOR	TERMINAL																																																																																																																																																																																																																																																																																																																																																																																																																																																																																																		
A1	B56A	18	OR	3544886C1																																																																																																																																																																																																																																																																																																																																																																																																																																																																																																		
A2	B57A	18	OR	3544886C1																																																																																																																																																																																																																																																																																																																																																																																																																																																																																																		
A3	B11-GAA	18	WH	3544880C1																																																																																																																																																																																																																																																																																																																																																																																																																																																																																																		
A4	B9V	18	GY	3544880C1																																																																																																																																																																																																																																																																																																																																																																																																																																																																																																		
A5	B87A	18	GY	3544880C1																																																																																																																																																																																																																																																																																																																																																																																																																																																																																																		
A6	B70A	18	OR	3544880C1																																																																																																																																																																																																																																																																																																																																																																																																																																																																																																		
A7	B52A	18	YL	3544886C1																																																																																																																																																																																																																																																																																																																																																																																																																																																																																																		
A8	B102A	18	YL	3544886C1																																																																																																																																																																																																																																																																																																																																																																																																																																																																																																		
B1	B82B	18	GY	3544886C1																																																																																																																																																																																																																																																																																																																																																																																																																																																																																																		
B2	B40A	18	GY	3544886C1																																																																																																																																																																																																																																																																																																																																																																																																																																																																																																		
B3	B6H	18	GY	3544886C1																																																																																																																																																																																																																																																																																																																																																																																																																																																																																																		
B4	B97Y	18	PL	3544886C1																																																																																																																																																																																																																																																																																																																																																																																																																																																																																																		
B5	B99U	18	PL	3544886C1																																																																																																																																																																																																																																																																																																																																																																																																																																																																																																		
B6%	B40G	18	BK	3544886C1																																																																																																																																																																																																																																																																																																																																																																																																																																																																																																		
B6%#	B99W	18	PL	3544886C1																																																																																																																																																																																																																																																																																																																																																																																																																																																																																																		
B7	B44BB	18	GY	3544886C1																																																																																																																																																																																																																																																																																																																																																																																																																																																																																																		
B8	-	-	-	-																																																																																																																																																																																																																																																																																																																																																																																																																																																																																																		
B9	B70	18	OR	3544886C1																																																																																																																																																																																																																																																																																																																																																																																																																																																																																																		
B10	B85B	18	GY	3544886C1																																																																																																																																																																																																																																																																																																																																																																																																																																																																																																		
B11	B85C	18	GY	3544886C1																																																																																																																																																																																																																																																																																																																																																																																																																																																																																																		
B12	B96	18	PL	3544886C1																																																																																																																																																																																																																																																																																																																																																																																																																																																																																																		
C1	B82A	18	GY	3544886C1																																																																																																																																																																																																																																																																																																																																																																																																																																																																																																		
C2	B40F	18	GY	3544886C1																																																																																																																																																																																																																																																																																																																																																																																																																																																																																																		
C3	B94SV	18	GY	3544886C1																																																																																																																																																																																																																																																																																																																																																																																																																																																																																																		
C4	B99V	18	PL	3544886C1																																																																																																																																																																																																																																																																																																																																																																																																																																																																																																		
C5	B97P	18	PL	3544886C1																																																																																																																																																																																																																																																																																																																																																																																																																																																																																																		
C6	B99E	18	PL	3544886C1																																																																																																																																																																																																																																																																																																																																																																																																																																																																																																		
C7	-	-	-	-																																																																																																																																																																																																																																																																																																																																																																																																																																																																																																		
C8	-	-	-	-																																																																																																																																																																																																																																																																																																																																																																																																																																																																																																		
C9	B82	18	GY	3544886C1																																																																																																																																																																																																																																																																																																																																																																																																																																																																																																		
C10	B94SZ	18	GY	3544886C1																																																																																																																																																																																																																																																																																																																																																																																																																																																																																																		
C11	B96A	18	PL	3544886C1																																																																																																																																																																																																																																																																																																																																																																																																																																																																																																		
C12%	B40G	18	BK	3544886C1																																																																																																																																																																																																																																																																																																																																																																																																																																																																																																		
C12%#	B40	18	GY	3544886C1																																																																																																																																																																																																																																																																																																																																																																																																																																																																																																		
D1	B70R	18	OR	3544886C1																																																																																																																																																																																																																																																																																																																																																																																																																																																																																																		
D2	B70CD	18	GY	3544886C1																																																																																																																																																																																																																																																																																																																																																																																																																																																																																																		
D3	-	-	-	-																																																																																																																																																																																																																																																																																																																																																																																																																																																																																																		
D4	-	-	-	-																																																																																																																																																																																																																																																																																																																																																																																																																																																																																																		
D5	B94SE	18	GY	3544880C1																																																																																																																																																																																																																																																																																																																																																																																																																																																																																																		
D6	B94SF	18	GY	3544880C1																																																																																																																																																																																																																																																																																																																																																																																																																																																																																																		
D7	B17J	18	PK	3544886C1																																																																																																																																																																																																																																																																																																																																																																																																																																																																																																		
D8	B17H	18	PK	3544886C1																																																																																																																																																																																																																																																																																																																																																																																																																																																																																																		
<p>** W/ CUMMINS ENGINE # W/ CAT &amp; CUMMINS ENGINES * W/ I6 &amp; V8 ENGINES % W/ AIR BRAKES % W/ HYD BRAKES @ MUTUALLY EXCLUSIVE &amp; W/ IBB ENGINE</p>																																																																																																																																																																																																																																																																																																																																																																																																																																																																																																						
CHK	DATE	CHANGE	REV	REFERENCE	DRAWN	NAME																																																																																																																																																																																																																																																																																																																																																																																																																																																																																																
CNA1	20FEB09	REVISED CAB CONN B6.	C	50367B	U00K640	CIRCUIT DIAGRAM, 42/43/44/85/8600 & 73/74/7500																																																																																																																																																																																																																																																																																																																																																																																																																																																																																																
	C3, C5, C10.				RELEASE NO.	DATE																																																																																																																																																																																																																																																																																																																																																																																																																																																																																																
					59974G	15SEP06																																																																																																																																																																																																																																																																																																																																																																																																																																																																																																
					PART NO.	SHEET																																																																																																																																																																																																																																																																																																																																																																																																																																																																																																
					AE08056619	045																																																																																																																																																																																																																																																																																																																																																																																																																																																																																																

Figure 306 Connector Composites (1800)

13.53. CONNECTOR COMPOSITES (1804), (1807), (1808), P. 46

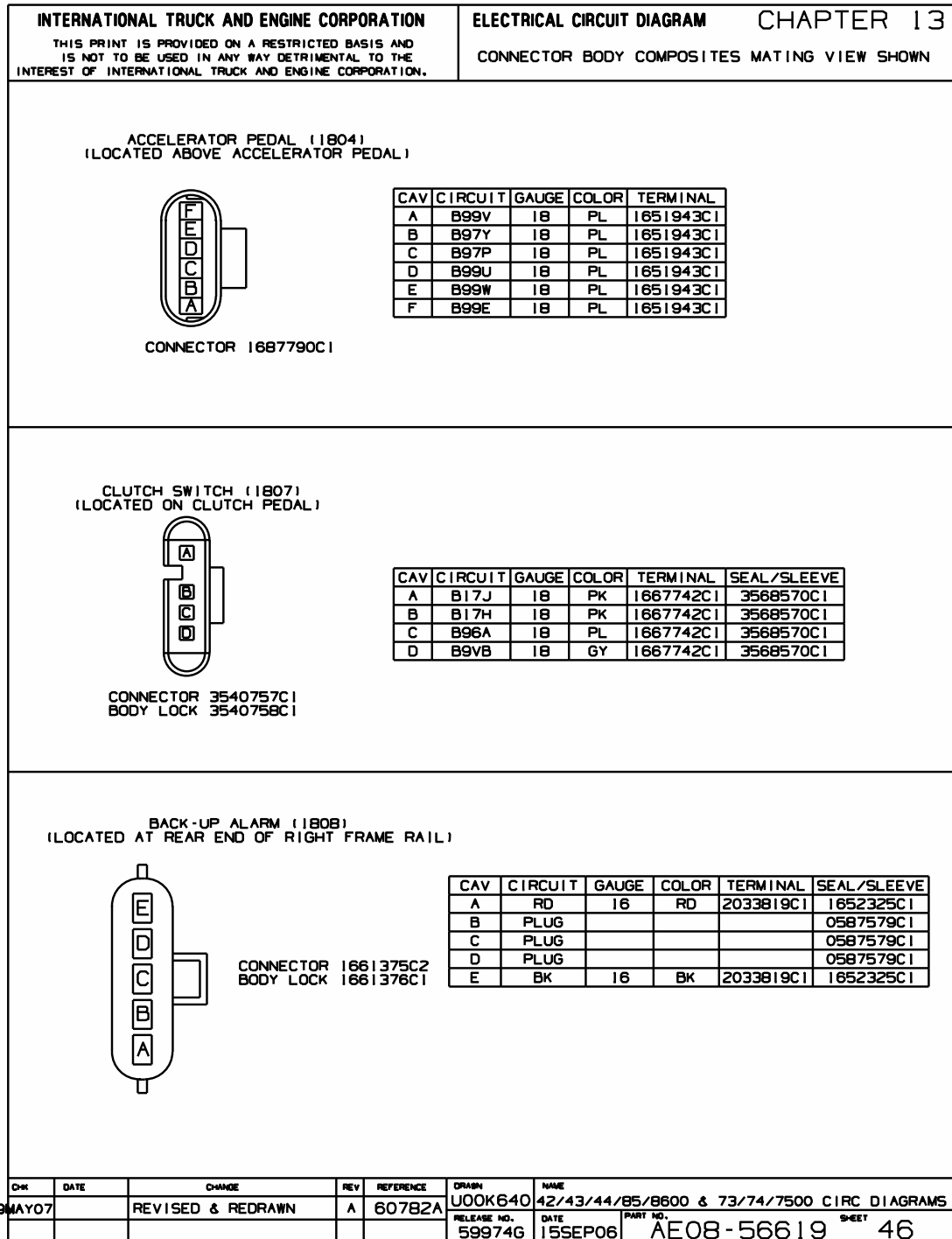


Figure 307 Connector Composites (1804), (1807), (1808)

13.54. CONNECTOR COMPOSITES (1809), (1810), (1811), (1812), (1813), (1815), (1822), P. 47

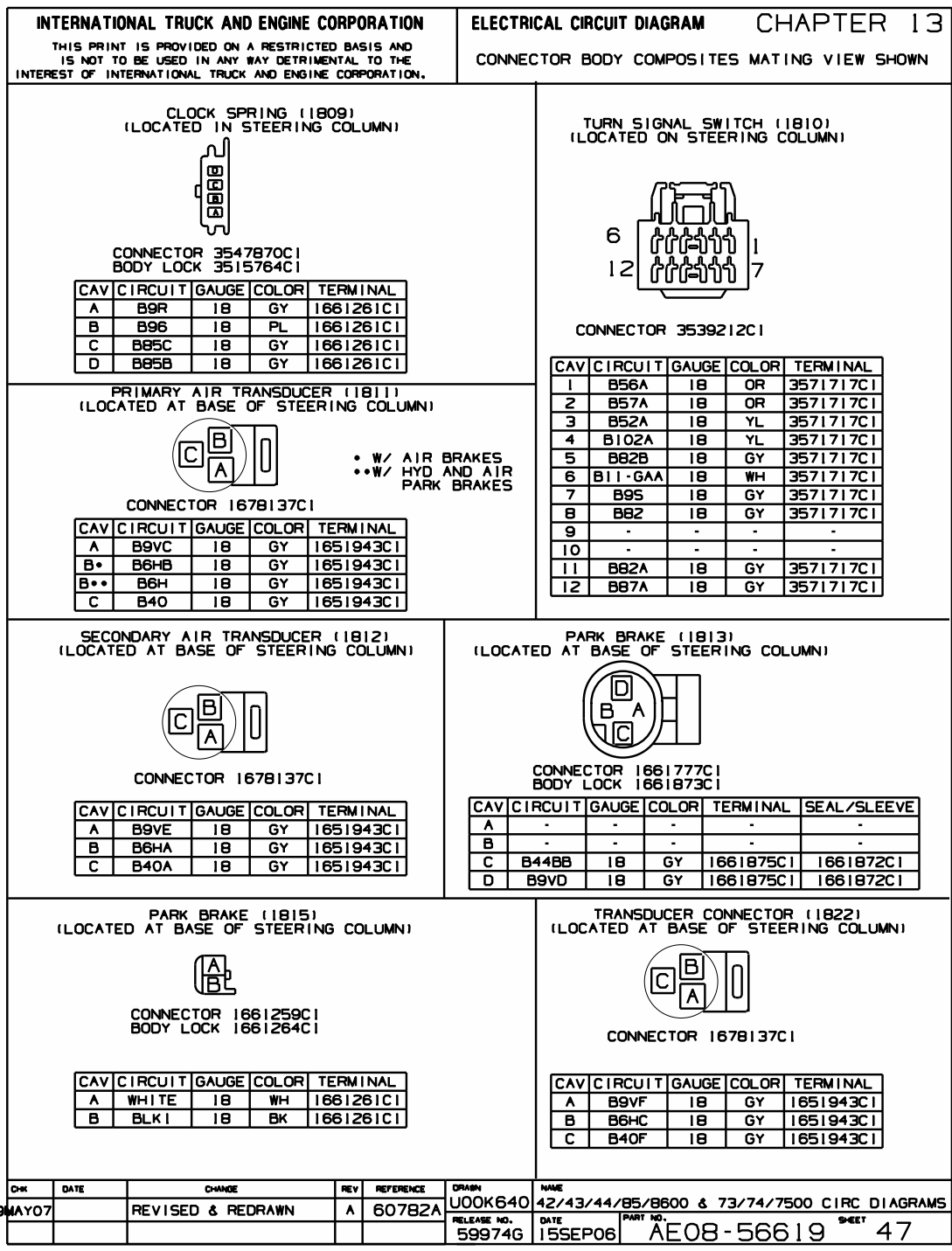


Figure 308 Connector Composites (1809), (1810), (1811), (1812), (1813), (1815), (1822)



13.55. CONNECTOR COMPOSITES (1820), (1821), P. 47A

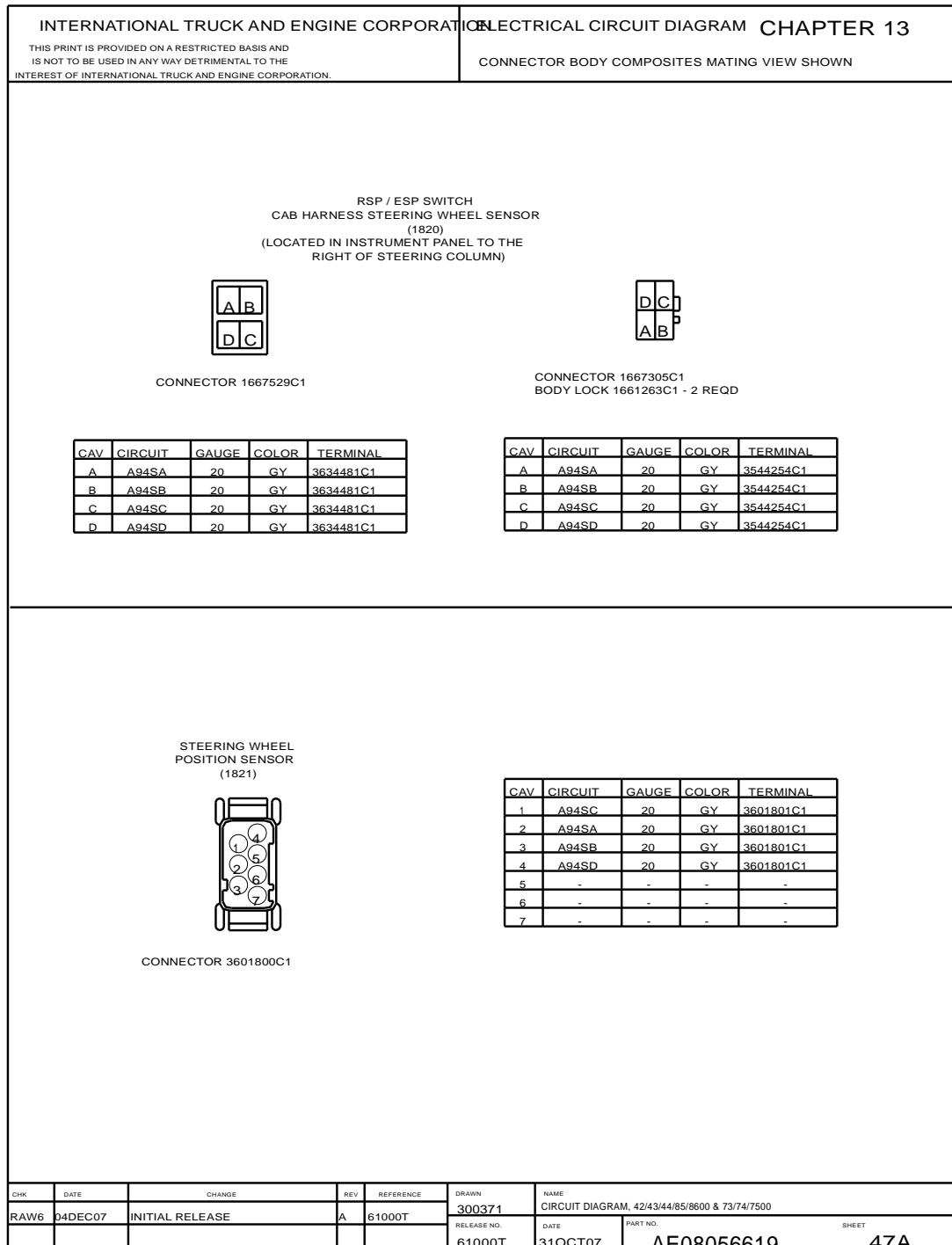


Figure 309 Connector Composites (1820), (1821)

13.56. CONNECTOR COMPOSITES (1823), (1824), (1825), (1826), (1827), P. 48

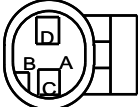
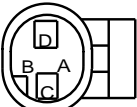
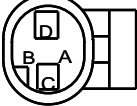
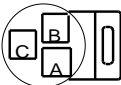
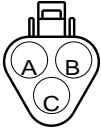
INTERNATIONAL TRUCK AND ENGINE CORPORATION				ELECTRICAL CIRCUIT DIAGRAM CHAPTER 13																																	
THIS PRINT IS PROVIDED ON A RESTRICTED BASIS AND IS NOT TO BE USED IN ANY WAY DETRIMENTAL TO THE INTEREST OF INTERNATIONAL TRUCK AND ENGINE CORPORATION.				CONNECTOR BODY COMPOSITES MATING VIEW SHOWN																																	
STOP LIGHT # 1 (1823) (LOCATED AT BASE OF STEERING COLUMN)																																					
				<table border="1" style="width:100%; border-collapse: collapse; font-size: x-small;"> <thead> <tr> <th>GAV</th> <th>CIRCUIT</th> <th>GAUGE</th> <th>COLOR</th> <th>TERMINAL</th> <th>SEAL/SLEEVE</th> </tr> </thead> <tbody> <tr> <td>A</td> <td>-</td> <td>-</td> <td>-</td> <td>-</td> <td>-</td> </tr> <tr> <td>B</td> <td>-</td> <td>-</td> <td>-</td> <td>-</td> <td>-</td> </tr> <tr> <td>C</td> <td>B70A</td> <td>18</td> <td>OR</td> <td>1661875C1</td> <td>1661872C1</td> </tr> <tr> <td>D</td> <td>B9VG</td> <td>18</td> <td>GY</td> <td>1661875C1</td> <td>1661872C1</td> </tr> </tbody> </table>				GAV	CIRCUIT	GAUGE	COLOR	TERMINAL	SEAL/SLEEVE	A	-	-	-	-	-	B	-	-	-	-	-	C	B70A	18	OR	1661875C1	1661872C1	D	B9VG	18	GY	1661875C1	1661872C1
GAV	CIRCUIT	GAUGE	COLOR	TERMINAL	SEAL/SLEEVE																																
A	-	-	-	-	-																																
B	-	-	-	-	-																																
C	B70A	18	OR	1661875C1	1661872C1																																
D	B9VG	18	GY	1661875C1	1661872C1																																
CONNECTOR 1661777C1 BODY LOCK 1661873C1																																					
STOP LIGHT # 2 (1824) (LOCATED AT BASE OF STEERING COLUMN)																																					
				<table border="1" style="width:100%; border-collapse: collapse; font-size: x-small;"> <thead> <tr> <th>GAV</th> <th>CIRCUIT</th> <th>GAUGE</th> <th>COLOR</th> <th>TERMINAL</th> <th>SEAL/SLEEVE</th> </tr> </thead> <tbody> <tr> <td>A</td> <td>-</td> <td>-</td> <td>-</td> <td>-</td> <td>-</td> </tr> <tr> <td>B</td> <td>-</td> <td>-</td> <td>-</td> <td>-</td> <td>-</td> </tr> <tr> <td>C</td> <td>B70</td> <td>18</td> <td>OR</td> <td>1661875C1</td> <td>1661872C1</td> </tr> <tr> <td>D</td> <td>B9VH</td> <td>18</td> <td>GY</td> <td>1661875C1</td> <td>1661872C1</td> </tr> </tbody> </table>				GAV	CIRCUIT	GAUGE	COLOR	TERMINAL	SEAL/SLEEVE	A	-	-	-	-	-	B	-	-	-	-	-	C	B70	18	OR	1661875C1	1661872C1	D	B9VH	18	GY	1661875C1	1661872C1
GAV	CIRCUIT	GAUGE	COLOR	TERMINAL	SEAL/SLEEVE																																
A	-	-	-	-	-																																
B	-	-	-	-	-																																
C	B70	18	OR	1661875C1	1661872C1																																
D	B9VH	18	GY	1661875C1	1661872C1																																
CONNECTOR 1661777C1 BODY LOCK 1661873C1																																					
BRAKE PRESSURE SWITCH (1825) (LOCATED AT BASE OF STEERING COLUMN)																																					
				<table border="1" style="width:100%; border-collapse: collapse; font-size: x-small;"> <thead> <tr> <th>GAV</th> <th>CIRCUIT</th> <th>GAUGE</th> <th>COLOR</th> <th>TERMINAL</th> <th>SEAL/SLEEVE</th> </tr> </thead> <tbody> <tr> <td>A</td> <td>-</td> <td>-</td> <td>-</td> <td>-</td> <td>-</td> </tr> <tr> <td>B</td> <td>-</td> <td>-</td> <td>-</td> <td>-</td> <td>-</td> </tr> <tr> <td>C</td> <td>B70R</td> <td>18</td> <td>OR</td> <td>1661875C1</td> <td>1661872C1</td> </tr> <tr> <td>D</td> <td>B70CD</td> <td>18</td> <td>GY</td> <td>1661875C1</td> <td>1661872C1</td> </tr> </tbody> </table>				GAV	CIRCUIT	GAUGE	COLOR	TERMINAL	SEAL/SLEEVE	A	-	-	-	-	-	B	-	-	-	-	-	C	B70R	18	OR	1661875C1	1661872C1	D	B70CD	18	GY	1661875C1	1661872C1
GAV	CIRCUIT	GAUGE	COLOR	TERMINAL	SEAL/SLEEVE																																
A	-	-	-	-	-																																
B	-	-	-	-	-																																
C	B70R	18	OR	1661875C1	1661872C1																																
D	B70CD	18	GY	1661875C1	1661872C1																																
CONNECTOR 1661777C1 BODY LOCK 1661873C1																																					
ABS PRIMARY AIR TRANSDUCER (1826)																																					
				<table border="1" style="width:100%; border-collapse: collapse; font-size: x-small;"> <thead> <tr> <th>GAV</th> <th>CIRCUIT</th> <th>GAUGE</th> <th>COLOR</th> <th>TERMINAL</th> </tr> </thead> <tbody> <tr> <td>A</td> <td>A94SZA</td> <td>18</td> <td>GY</td> <td>1651943C1</td> </tr> <tr> <td>B</td> <td>A94SVA</td> <td>18</td> <td>GY</td> <td>1651943C1</td> </tr> <tr> <td>C</td> <td>A94SE</td> <td>18</td> <td>GY</td> <td>1651943C1</td> </tr> </tbody> </table>				GAV	CIRCUIT	GAUGE	COLOR	TERMINAL	A	A94SZA	18	GY	1651943C1	B	A94SVA	18	GY	1651943C1	C	A94SE	18	GY	1651943C1										
GAV	CIRCUIT	GAUGE	COLOR	TERMINAL																																	
A	A94SZA	18	GY	1651943C1																																	
B	A94SVA	18	GY	1651943C1																																	
C	A94SE	18	GY	1651943C1																																	
CONNECTOR 1678137C1																																					
ACCELERATOR PEDAL MODULE (1827) (LOCATED ABOVE ACCELERATOR PEDAL)																																					
				<table border="1" style="width:100%; border-collapse: collapse; font-size: x-small;"> <thead> <tr> <th>GAV</th> <th>CIRCUIT</th> <th>GAUGE</th> <th>COLOR</th> <th>TERMINAL</th> </tr> </thead> <tbody> <tr> <td>A</td> <td>B97P</td> <td>18</td> <td>PL</td> <td>1680205C1</td> </tr> <tr> <td>B</td> <td>B97Y</td> <td>18</td> <td>PL</td> <td>1680205C1</td> </tr> <tr> <td>C</td> <td>B99V</td> <td>18</td> <td>PL</td> <td>1680205C1</td> </tr> </tbody> </table>				GAV	CIRCUIT	GAUGE	COLOR	TERMINAL	A	B97P	18	PL	1680205C1	B	B97Y	18	PL	1680205C1	C	B99V	18	PL	1680205C1										
GAV	CIRCUIT	GAUGE	COLOR	TERMINAL																																	
A	B97P	18	PL	1680205C1																																	
B	B97Y	18	PL	1680205C1																																	
C	B99V	18	PL	1680205C1																																	
CONNECTOR 3601919C1																																					
CHK	DATE	CHANGE	REV	REFERENCE	DRAWN	NAME																															
RAW6	04DEC07	REVISED AND REDRAWN	B	61000T	U00K640	CIRCUIT DIAGRAM, 42/43/44/85/8600 & 73/74/7500																															
					RELEASE NO.	DATE	PART NO.																														
					59974G	15SEP06	AE08056619																														
						SHEET	048																														

Figure 310 Connector Composites (1823), (1824), (1825), (1826), (1827)

13.57. CONNECTOR COMPOSITES (1828), (1852), (1860), P. 48A

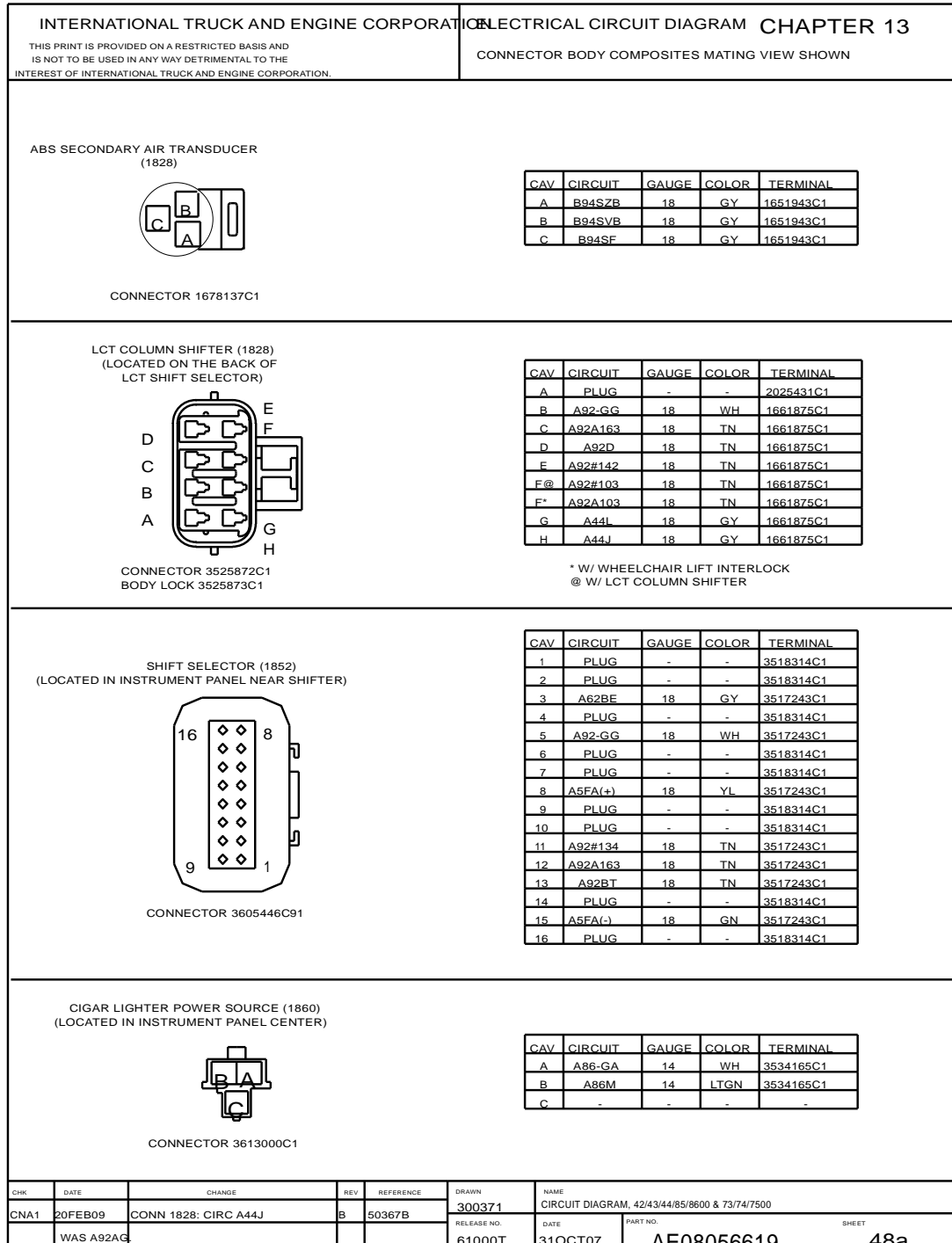


Figure 311 Connector Composites (1828), (1852), (1860)

13.58. CONNECTOR COMPOSITES (1861), (1872), (1873), (1874), (1875), (1900), P. 49

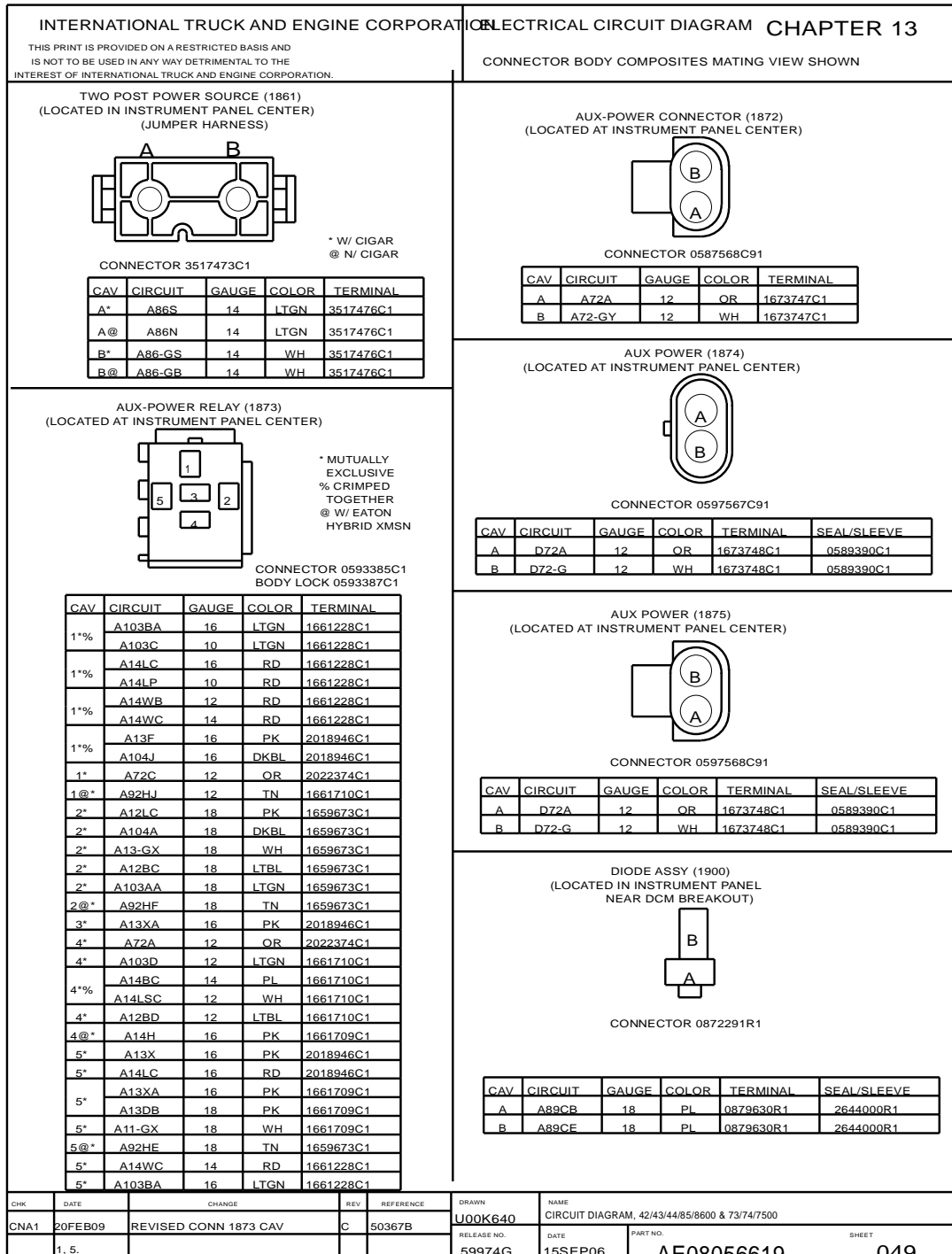


Figure 312 Connector Composites (1861), (1872), (1873), (1874), (1875), (1900)

13.59. CONNECTOR COMPOSITES (1901), (1902), (1910), (1912), (1916), P. 50

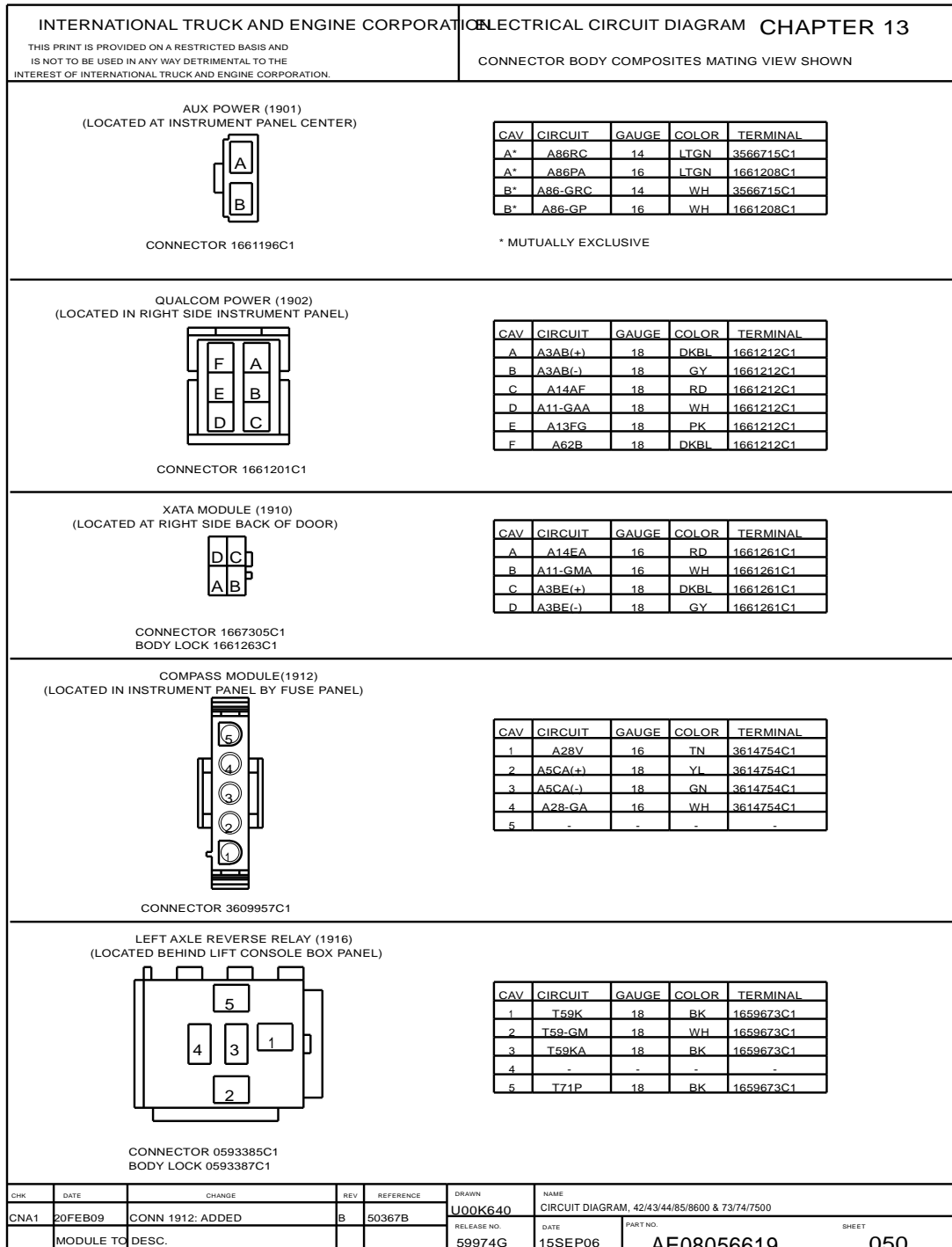


Figure 313 Connector Composites (1901), (1902), (1910), (1912), (1916)

13.60. CONNECTOR COMPOSITES (1918), (1927), (1929), (1935), (2000), P. 51

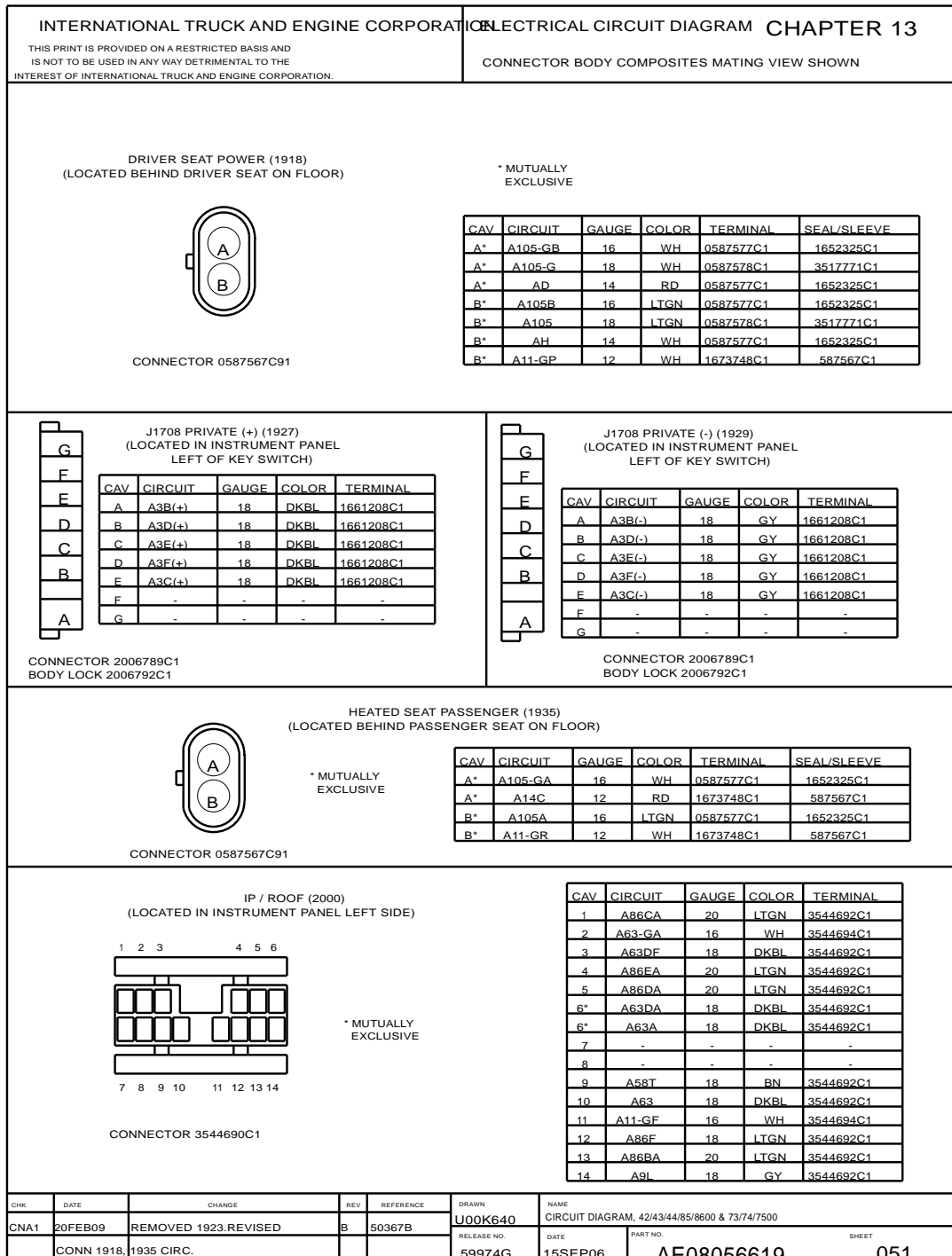


Figure 314 Connector Composites (1918), (1927), (1929), (1935), (2000)

13.61. CONNECTOR COMPOSITES (2000), (2002), (2003), (2004), (2005), (2006), P. 52

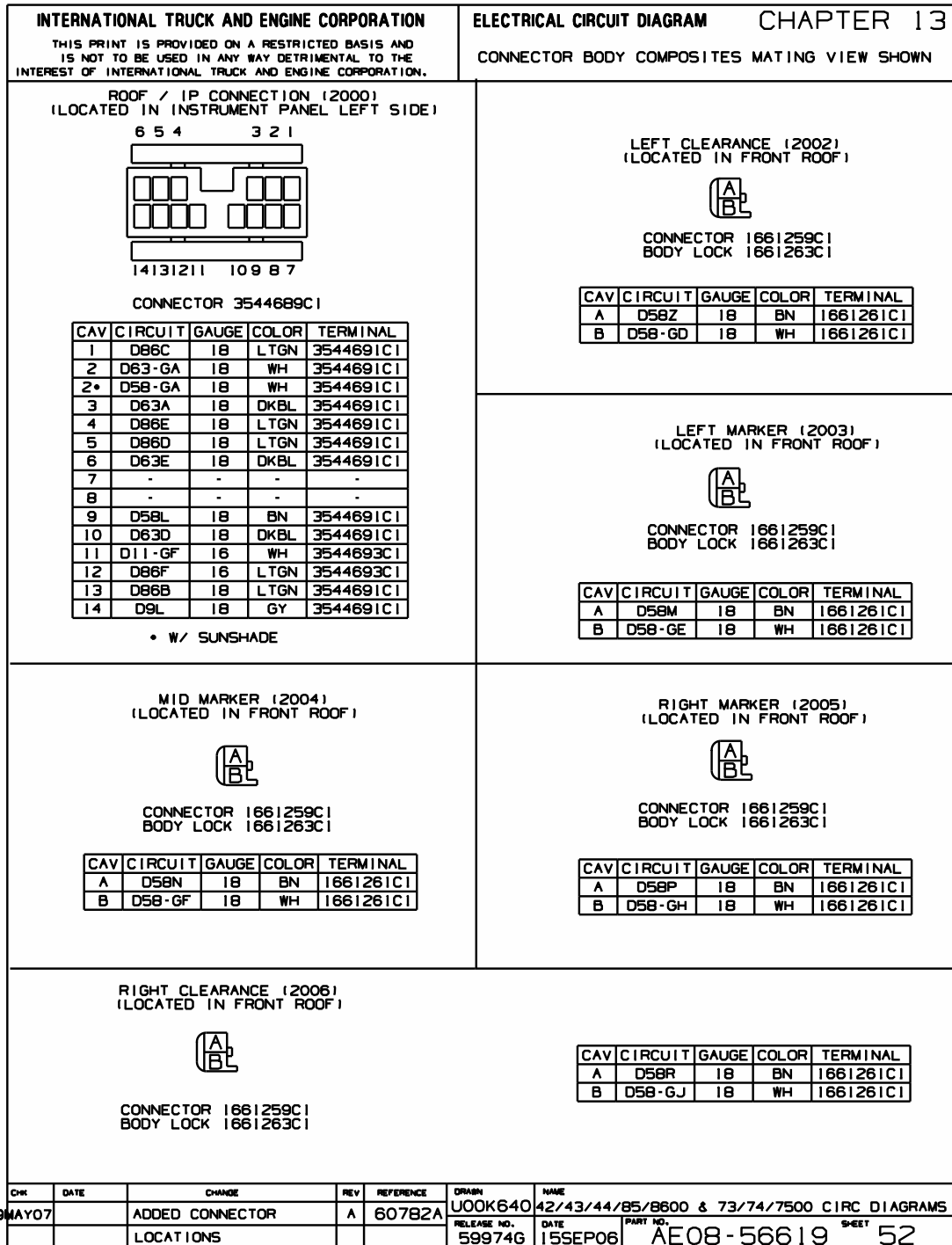


Figure 315 Connector Composites (2000), (2002), (2003), (2004), (2005), (2006)

13.62. CONNECTOR COMPOSITES (2020), (2021), (2022), (2115), (2116), (2116M), (2117), (2117M), P. 53

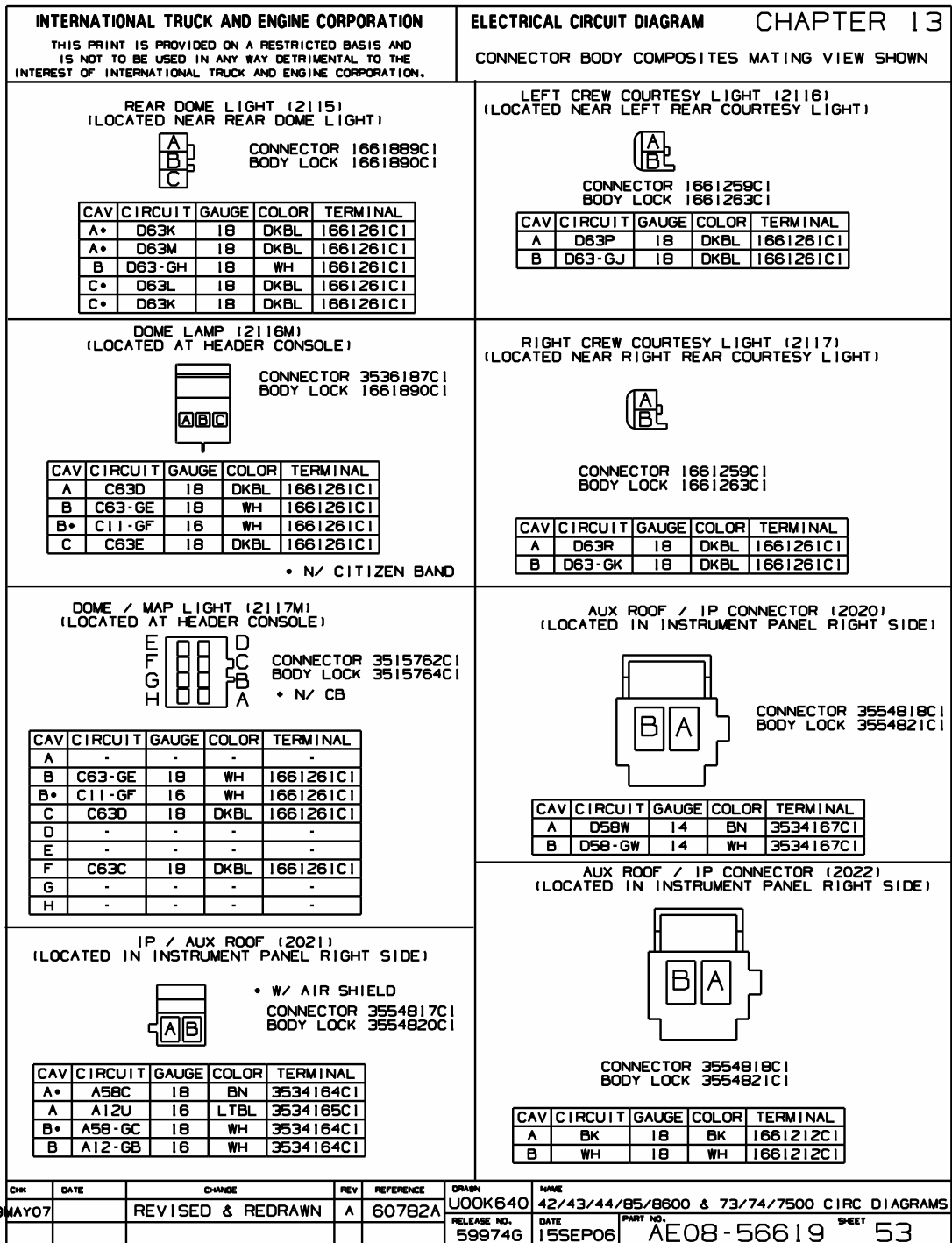


Figure 316 Connector Composites (2020), (2021), (2022), (2115), (2116), (2116M), (2117), (2117M)



13.63. CONNECTOR COMPOSITES (2301), (2302), (2303), (2304), (2305), (2502), P. 54

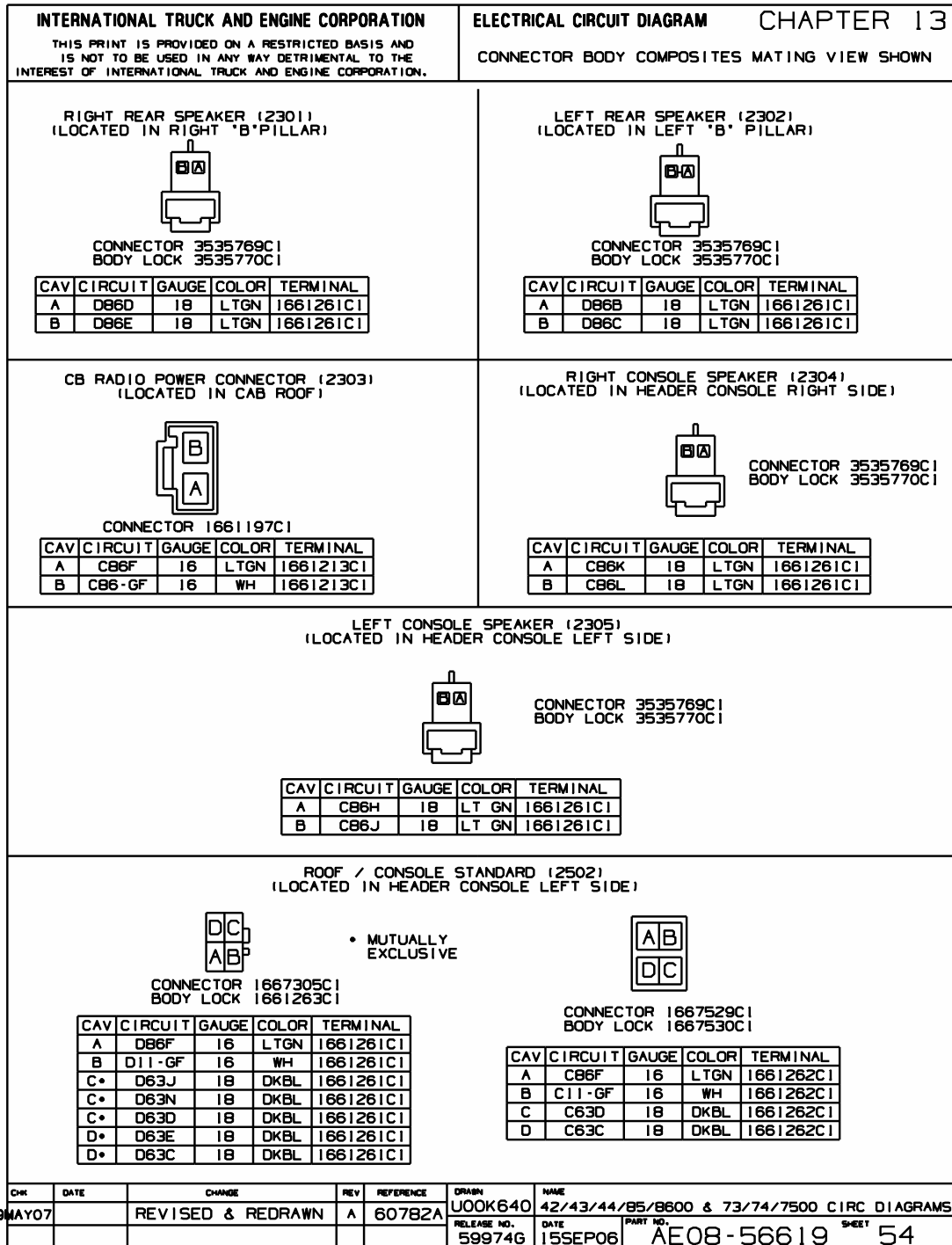


Figure 317 Connector Composites (2301), (2302), (2303), (2304), (2305), (2502)

13.64. CONNECTOR COMPOSITES (2503), (2600), (2601), (2602), P. 55

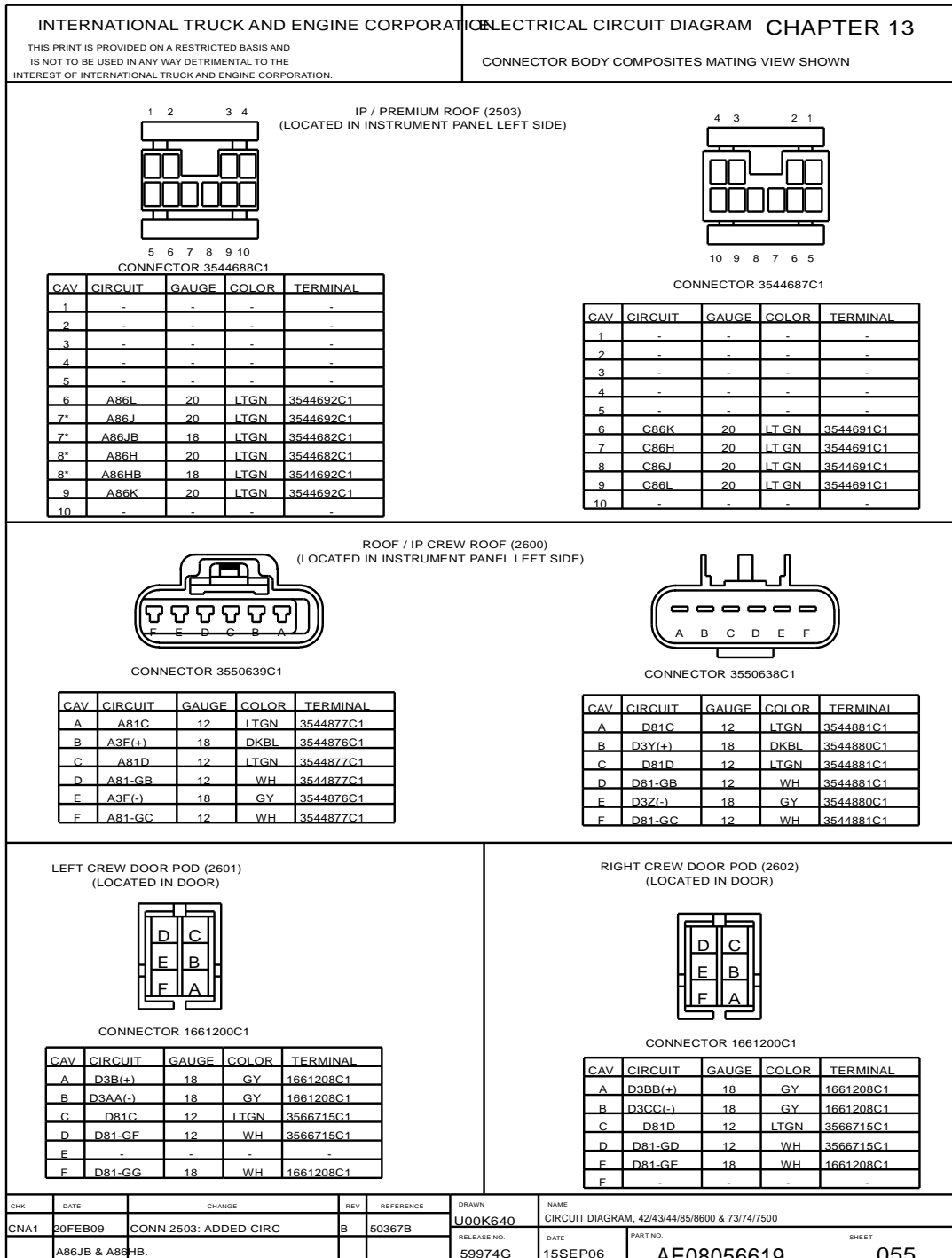


Figure 318 Connector Composites (2503), (2600), (2601), (2602)

13.65. CONNECTOR COMPOSITES (2700), (2700M), P. 56

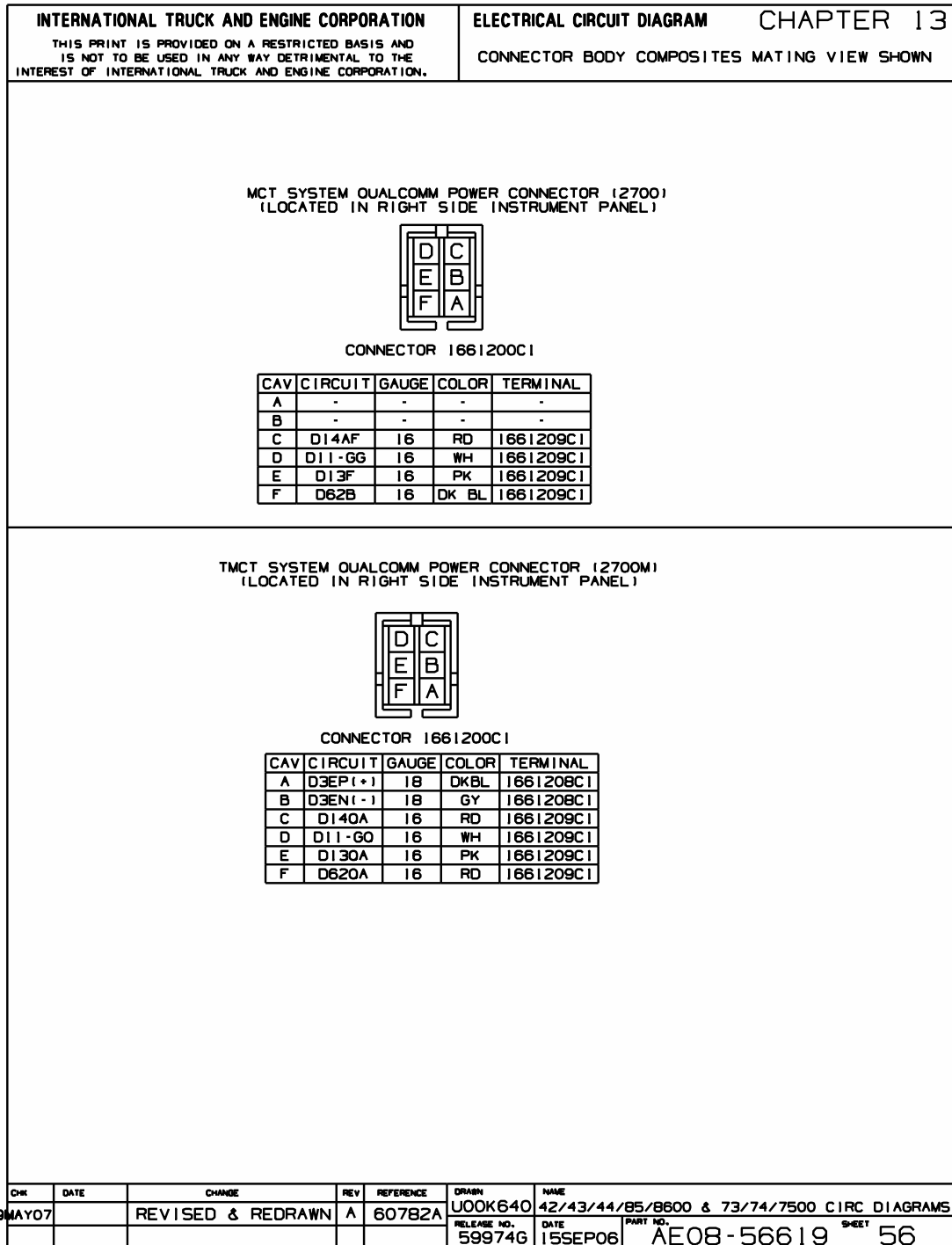


Figure 319 Connector Composites (2700), (2700M)

13.66. CONNECTOR COMPOSITES (2701), (2701F), (2701G), (2702), P. 57

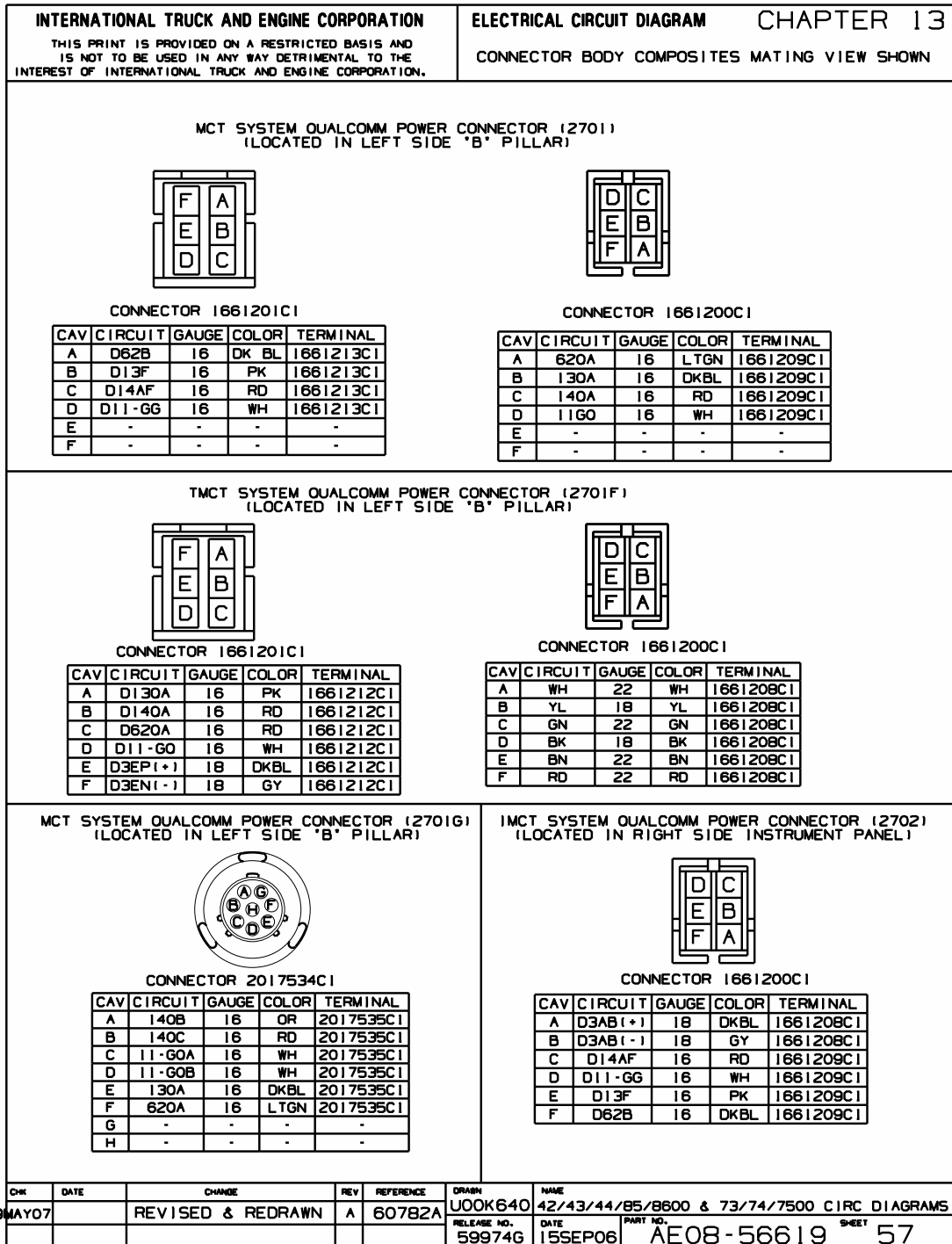


Figure 320 Connector Composites (2701), (2701F), (2701G), (2702)

13.67. CONNECTOR COMPOSITES (2990), (2991), (2992), (2993), (2994), (2995), (2996), (2997), (2998), (2999), (3000), (3001), P. 57A

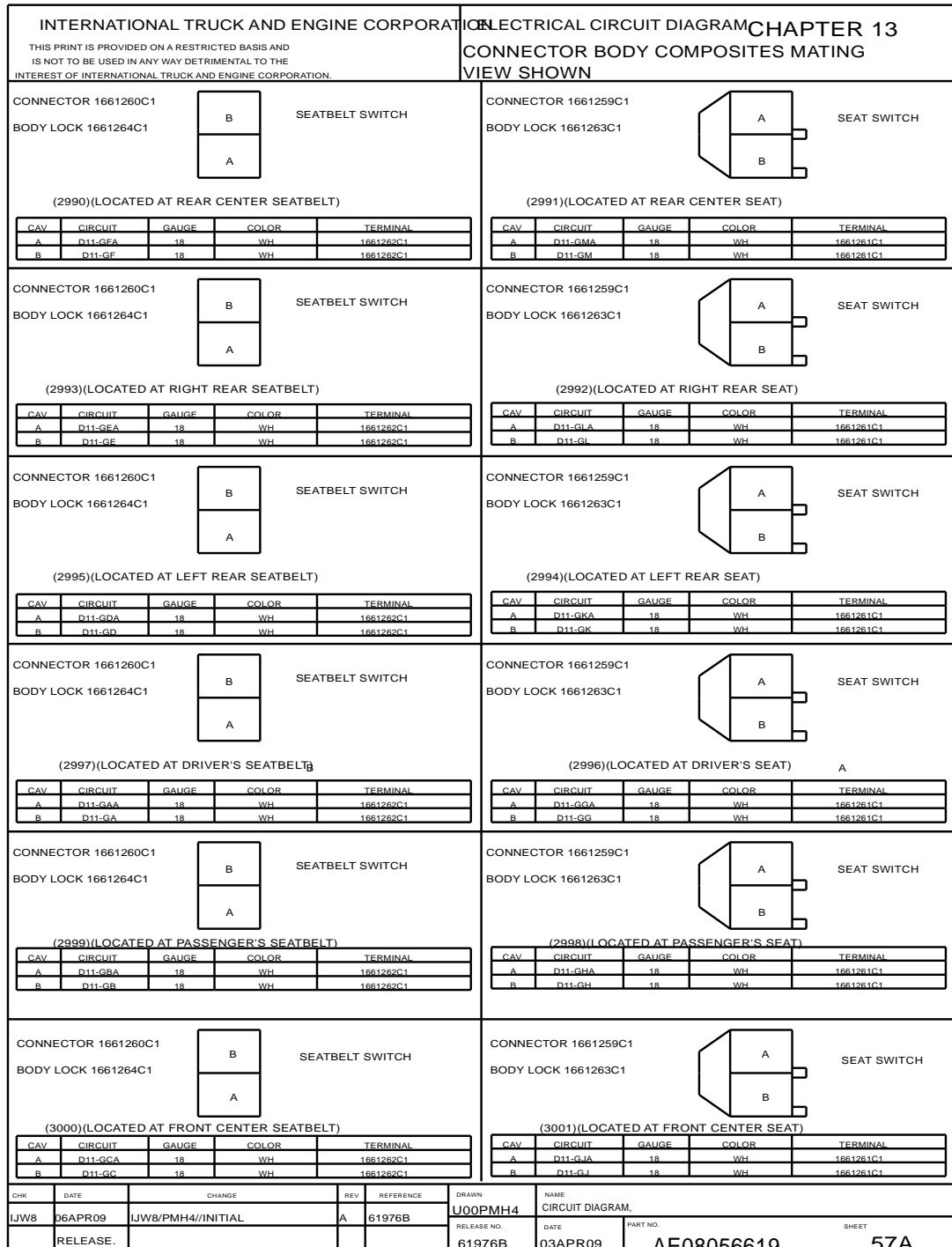


Figure 321 Connector Composites (2990), (2991), (2992), (2993), (2994), (2995), (2996), (2997), (2998), (2999), (3000), (3001)

13.68. CONNECTOR COMPOSITES (2703), (3000), (3002), (3003), P. 58

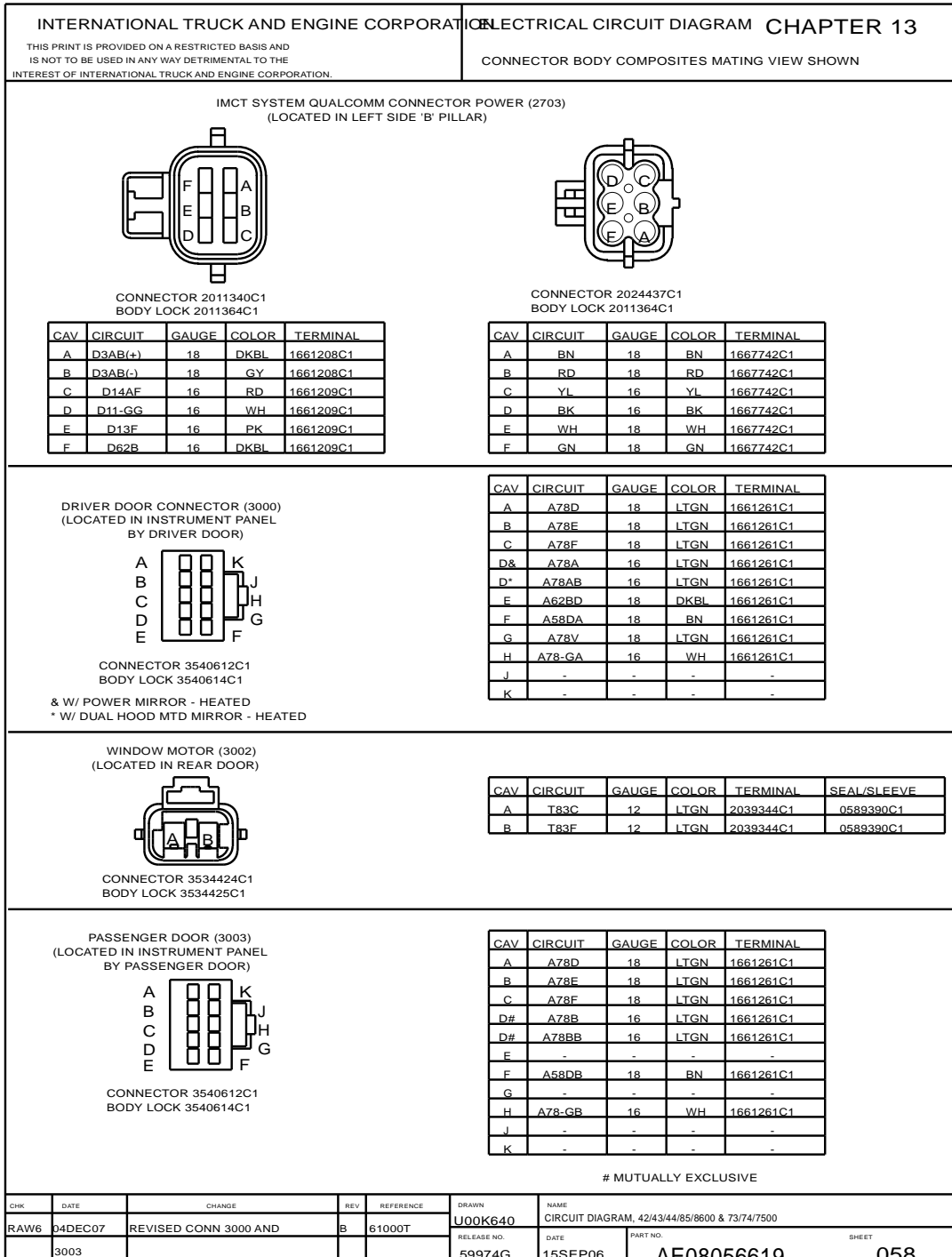


Figure 322 Connector Composites (2703), (3000), (3002), (3003)

13.69. CONNECTOR COMPOSITES (3100), (3200), (3201), P. 59

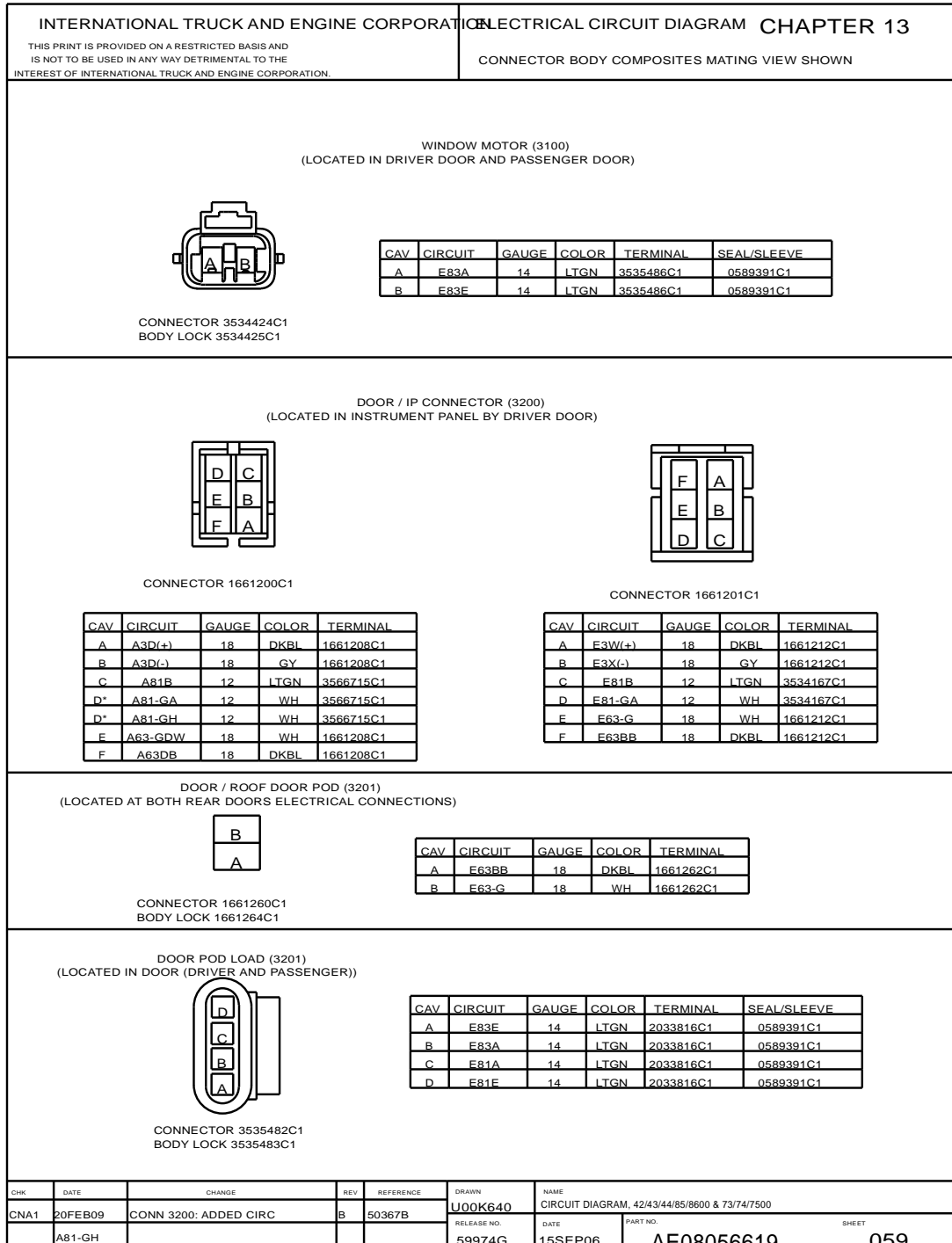


Figure 323 Connector Composites (3100), (3200), (3201)

13.70. CONNECTOR COMPOSITES (3202), (3203), (3204), (3208), P. 60

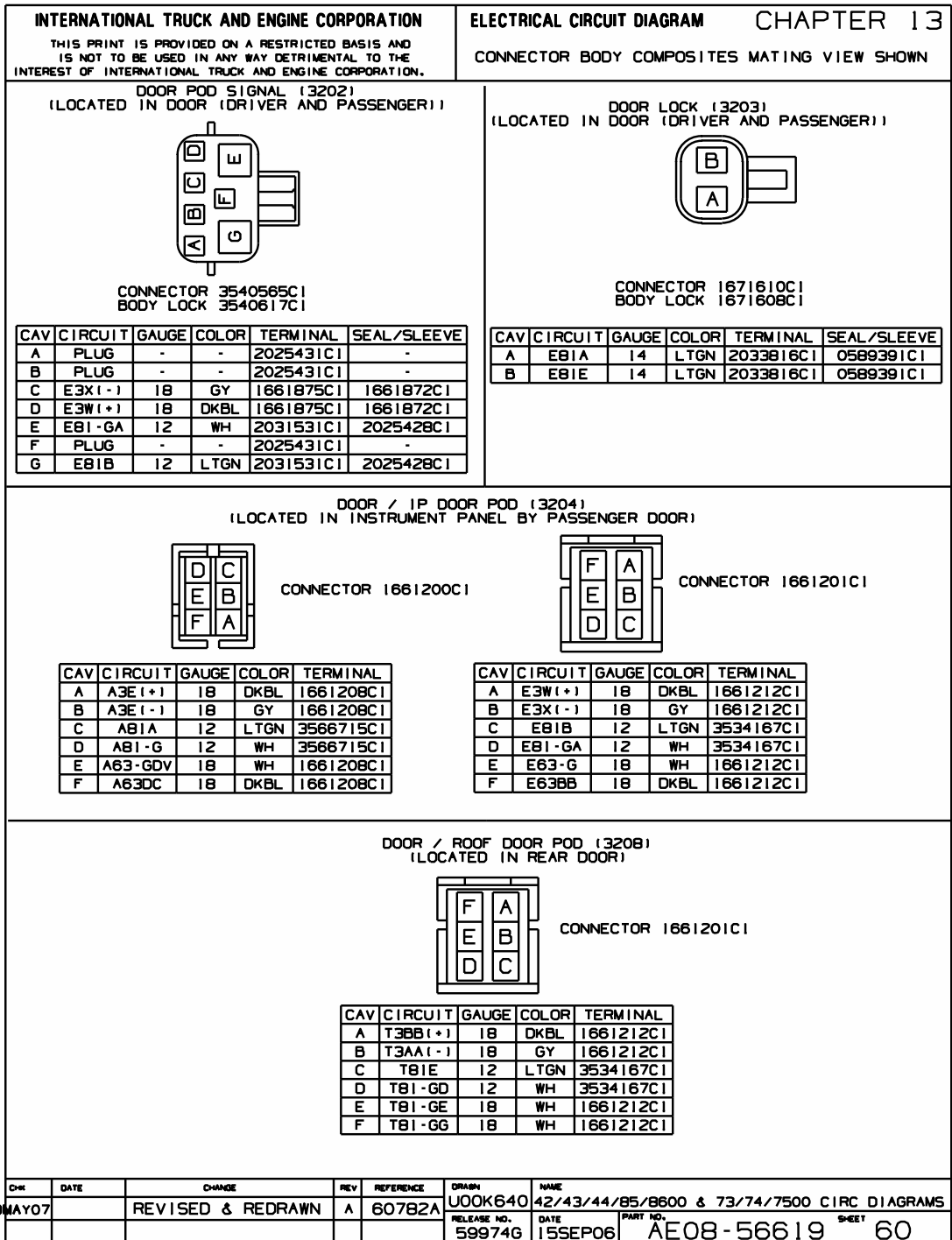


Figure 324 Connector Composites (3202), (3203), (3204), (3208)



13.71. CONNECTOR COMPOSITES (3209), (3210), (3211), (3400), (4003), (4004), P. 61

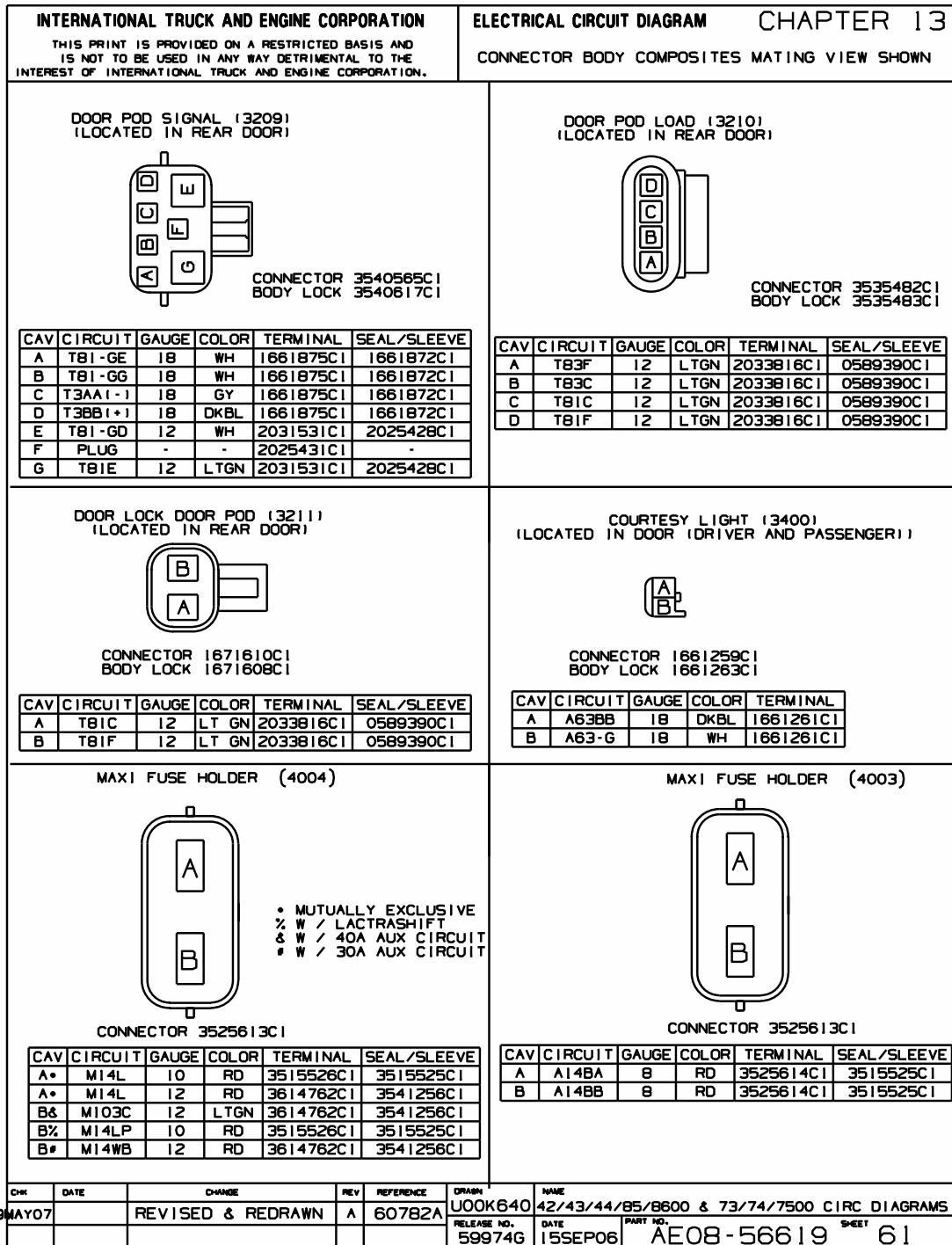


Figure 325 Connector Composites (3209), (3210), (3211), (3400), (4003), (4004)

13.72. CONNECTOR COMPOSITES (4017), (4018), (4019), (4021), (4022), (4037), (4038), (4070), (4071), P. 62

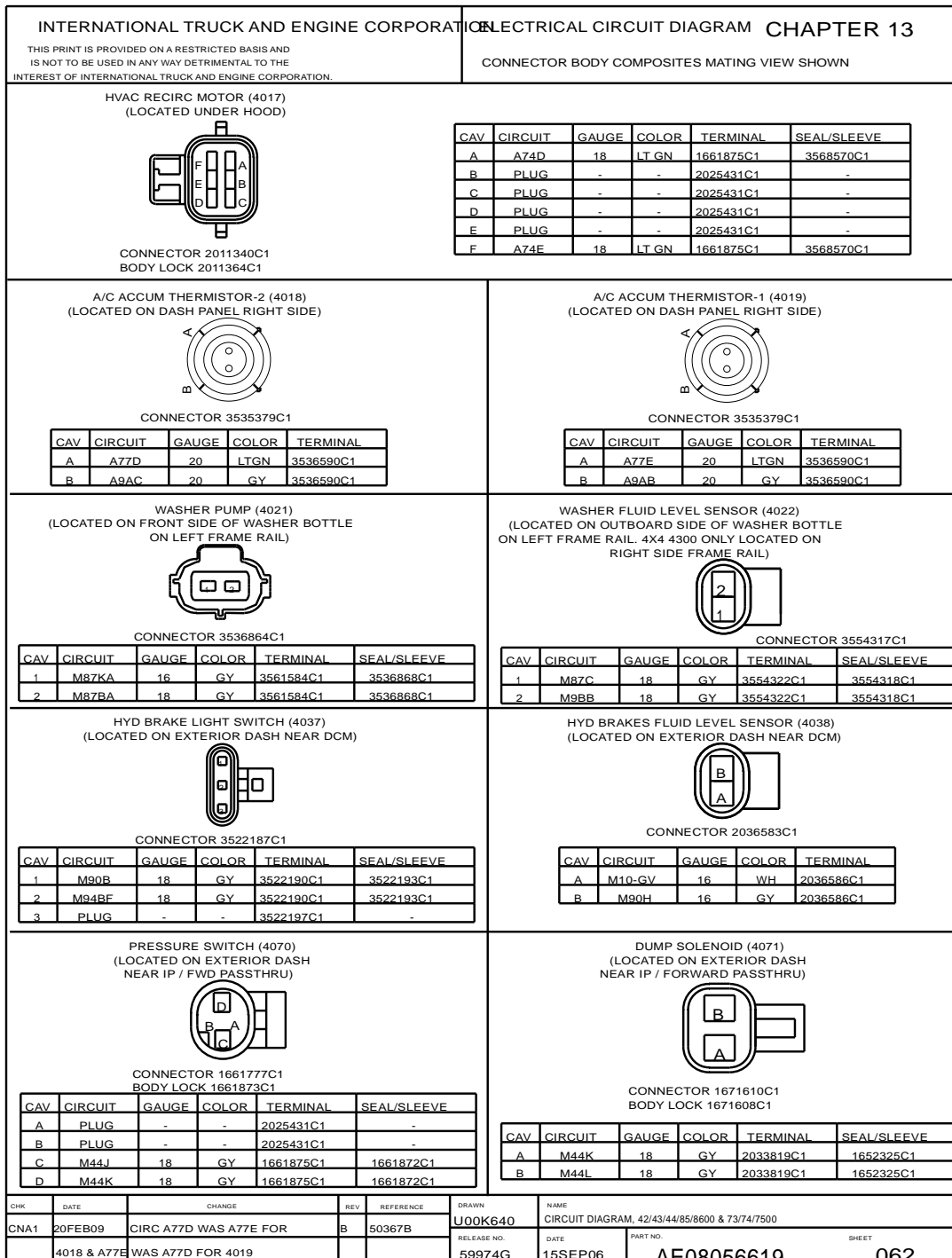


Figure 326 Connector Composites (4017), (4018), (4019), (4021), (4022), (4037), (4038), (4070), (4071)

13.73. CONNECTOR COMPOSITES (4087 / 4087A), (4111M), (4120), P. 63

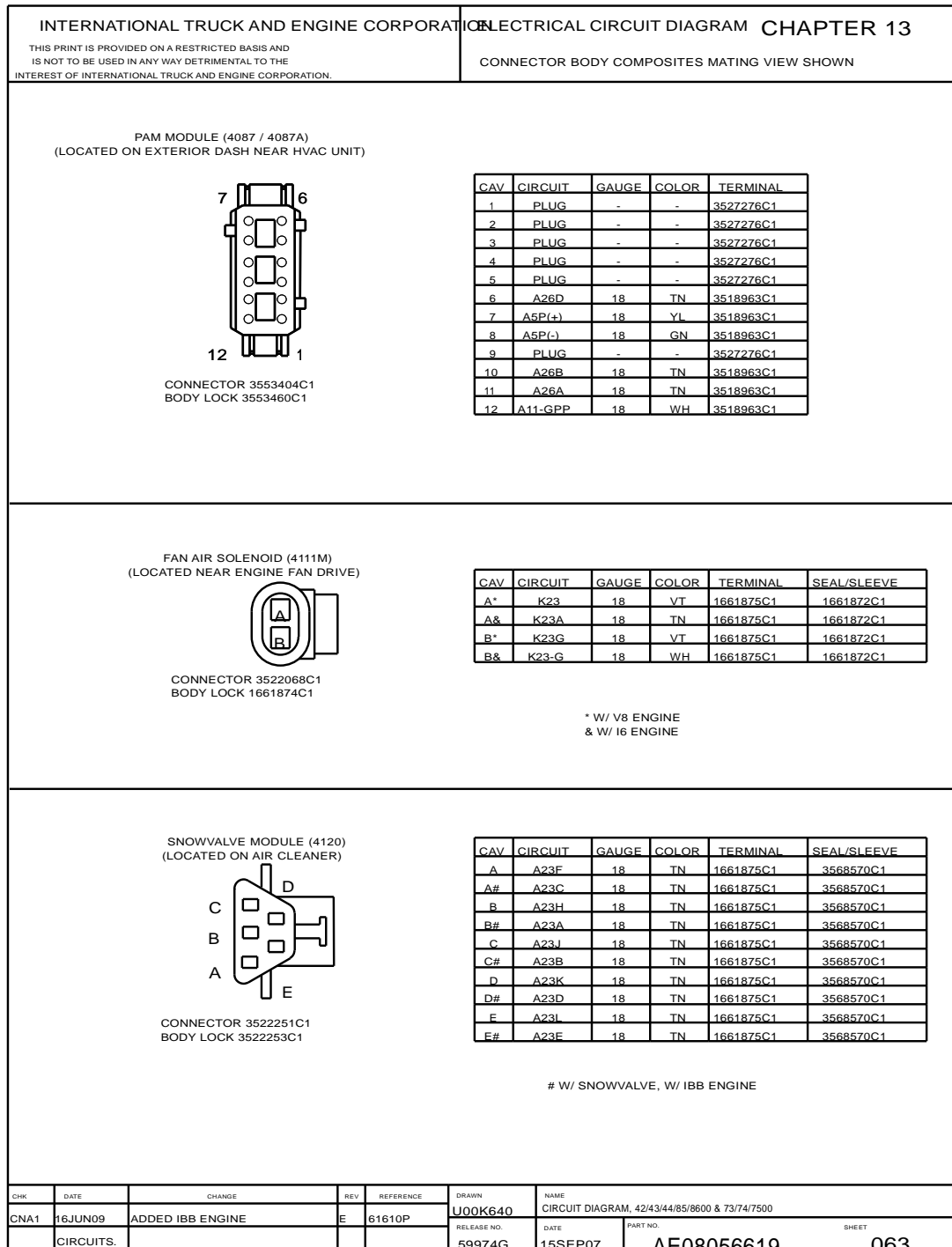


Figure 327 Connector Composites (4087 / 4087A), (4111M), (4120)

13.74. CONNECTOR COMPOSITES (4328), (4410D), (4410E), P. 64

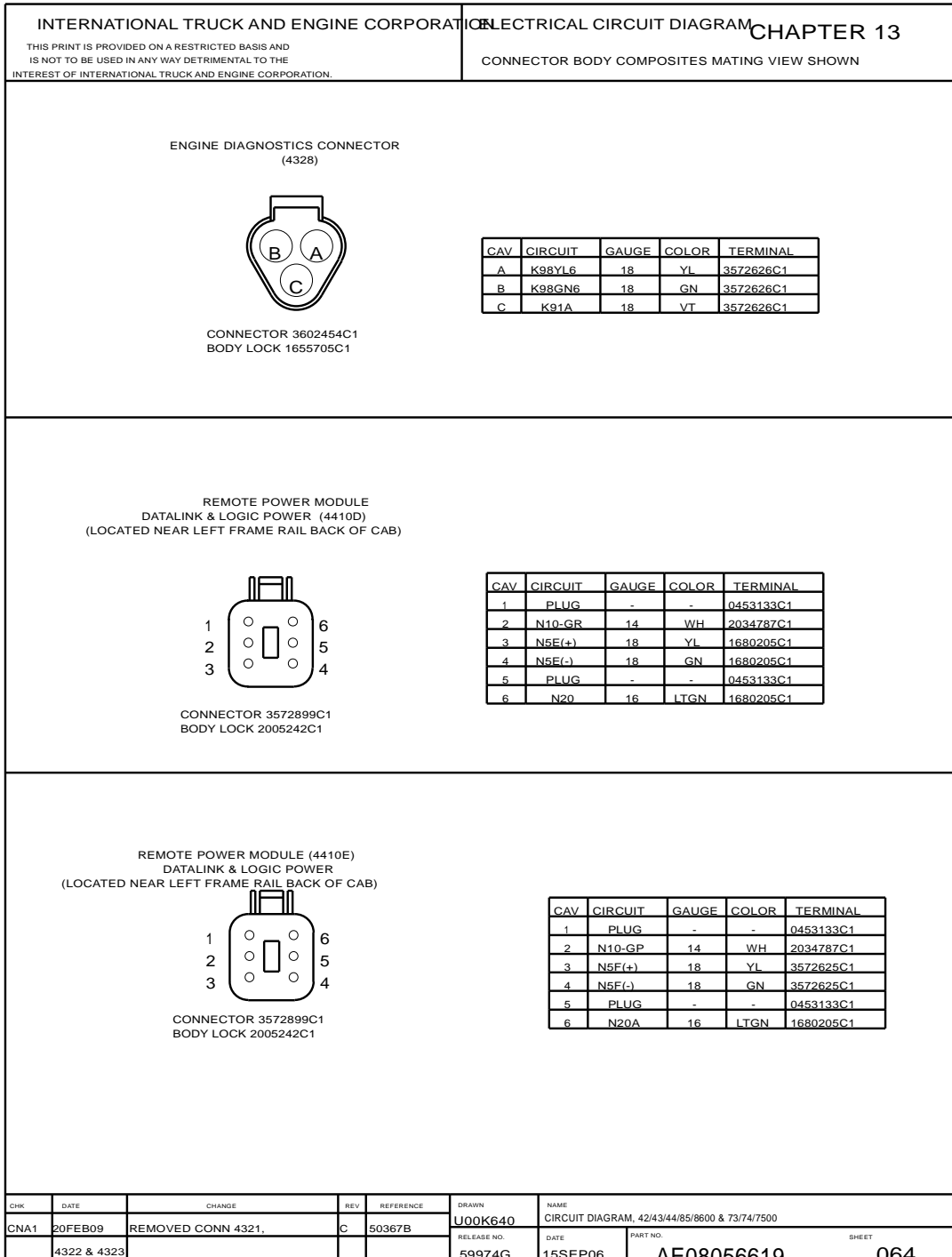


Figure 328 Connector Composites (4328), (4410D), (4410E)

13.75. CONNECTOR COMPOSITES (4410F), (4410H), (4410K), (4410L), (4410M), P. 65

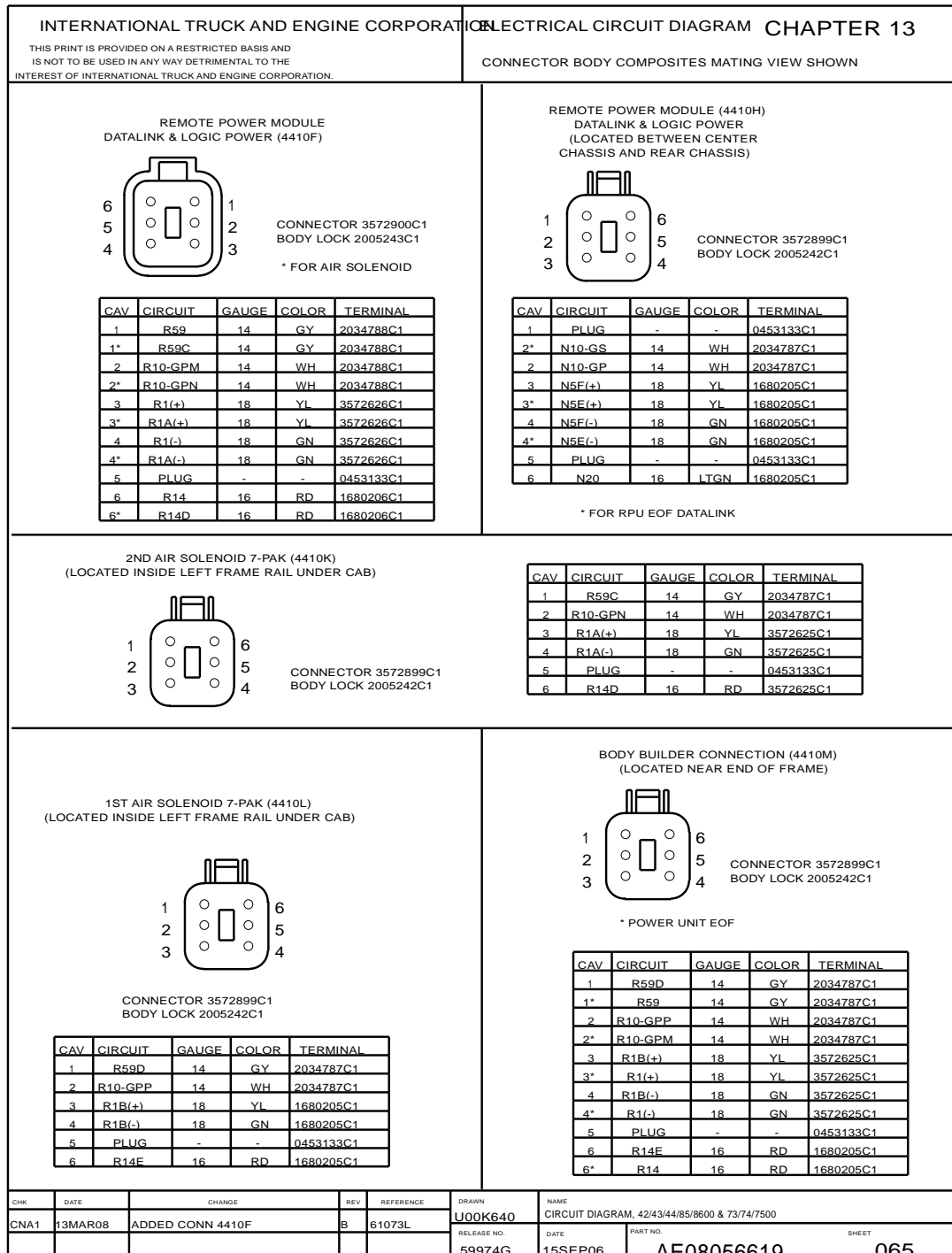


Figure 329 Connector Composites (4410F), (4410H), (4410K), (4410L), (4410M)

13.76. CONNECTOR COMPOSITES (4450AM), (4450BM), (4450M), (4460AM), (4460BF), P. 66

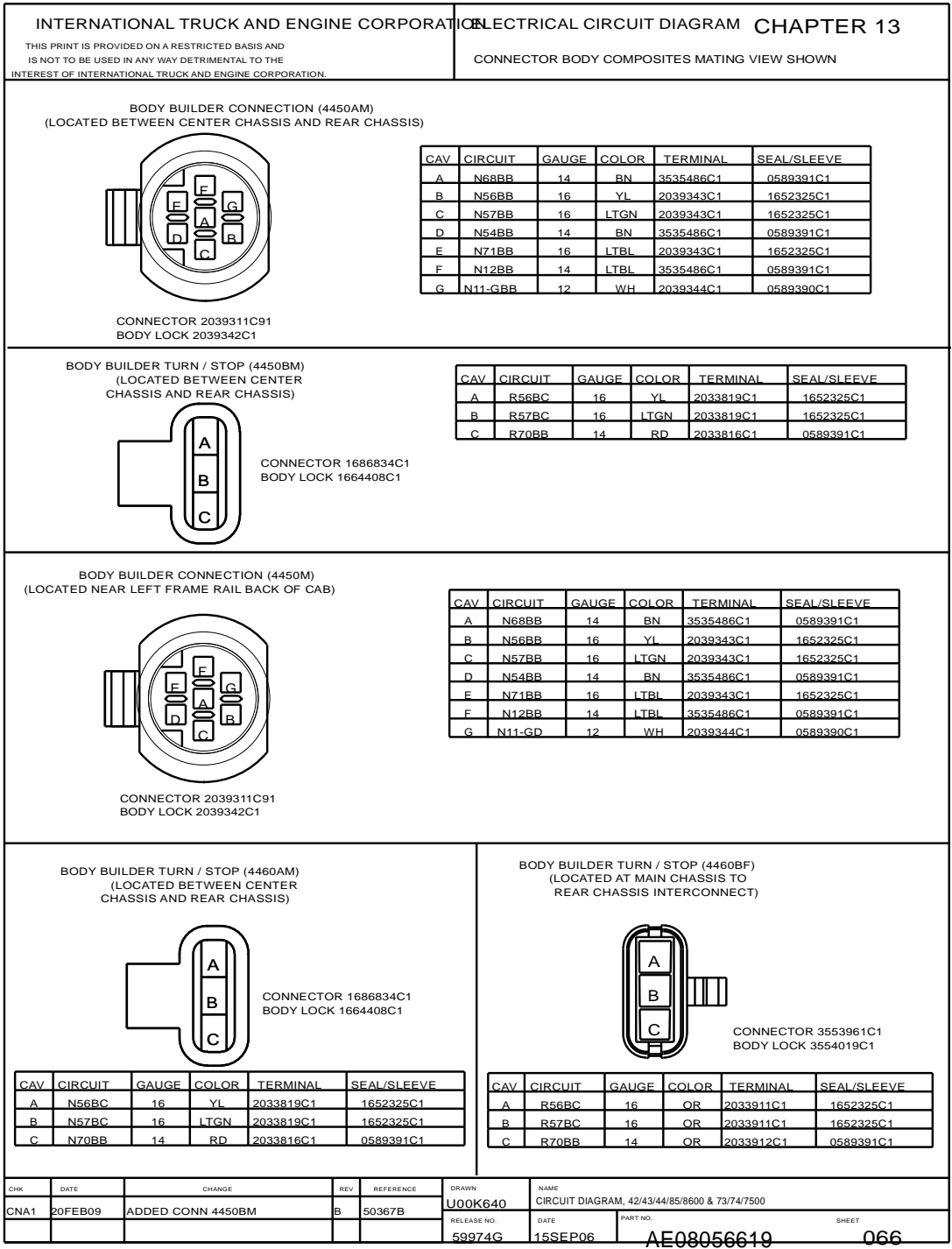


Figure 330 Connector Composites (4450AM), (4450BM), (4450M), (4460AM), (4460BF)

13.77. CONNECTOR COMPOSITES (4460BM / 4450BF), (4460M), (4500), (4705), P. 67

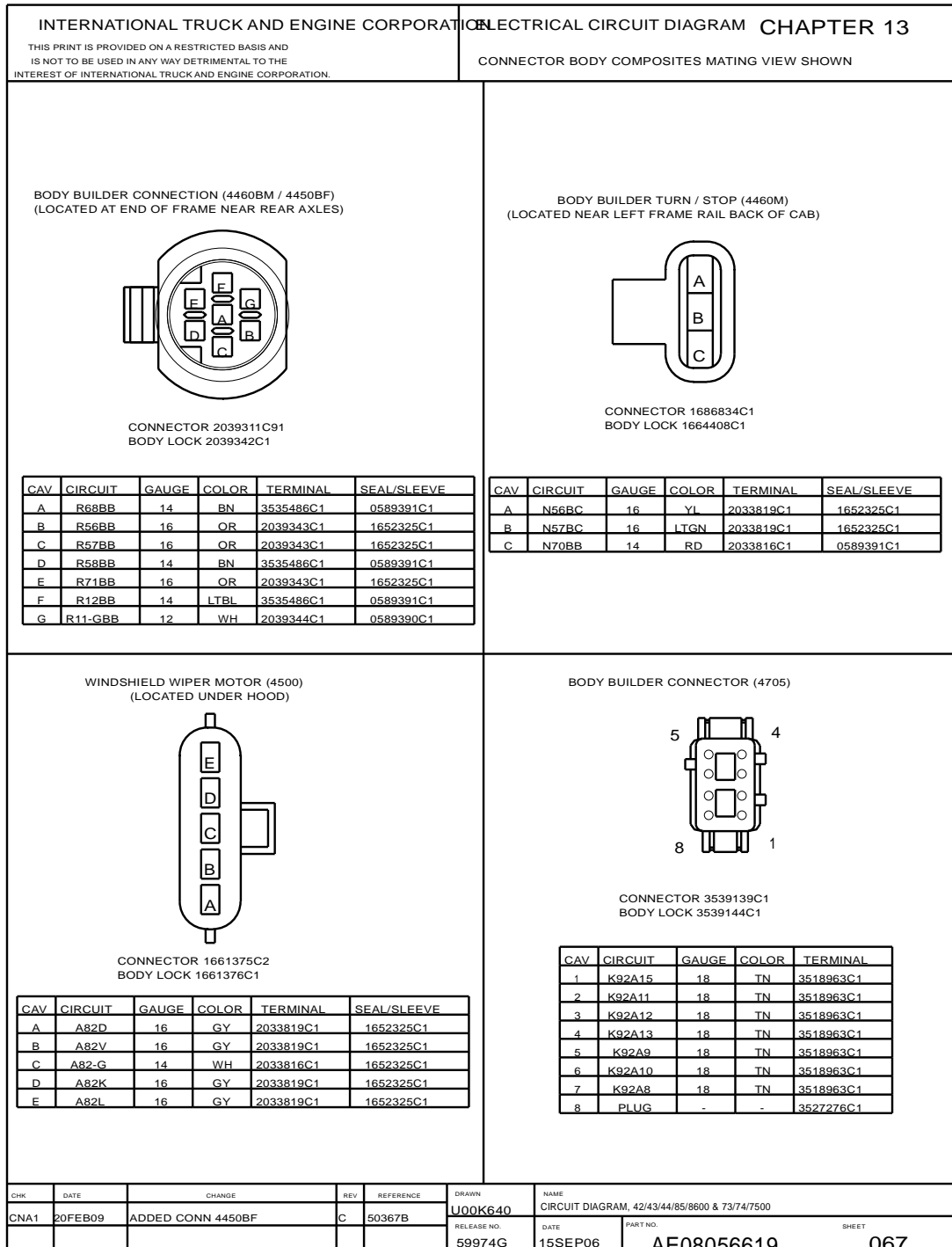


Figure 331 Connector Composites (4460BM / 4450BF), (4460M), (4500), (4705)

13.78. CONNECTOR COMPOSITES (4706), (4905), (4906), (4950), (4951), (5117), P. 68

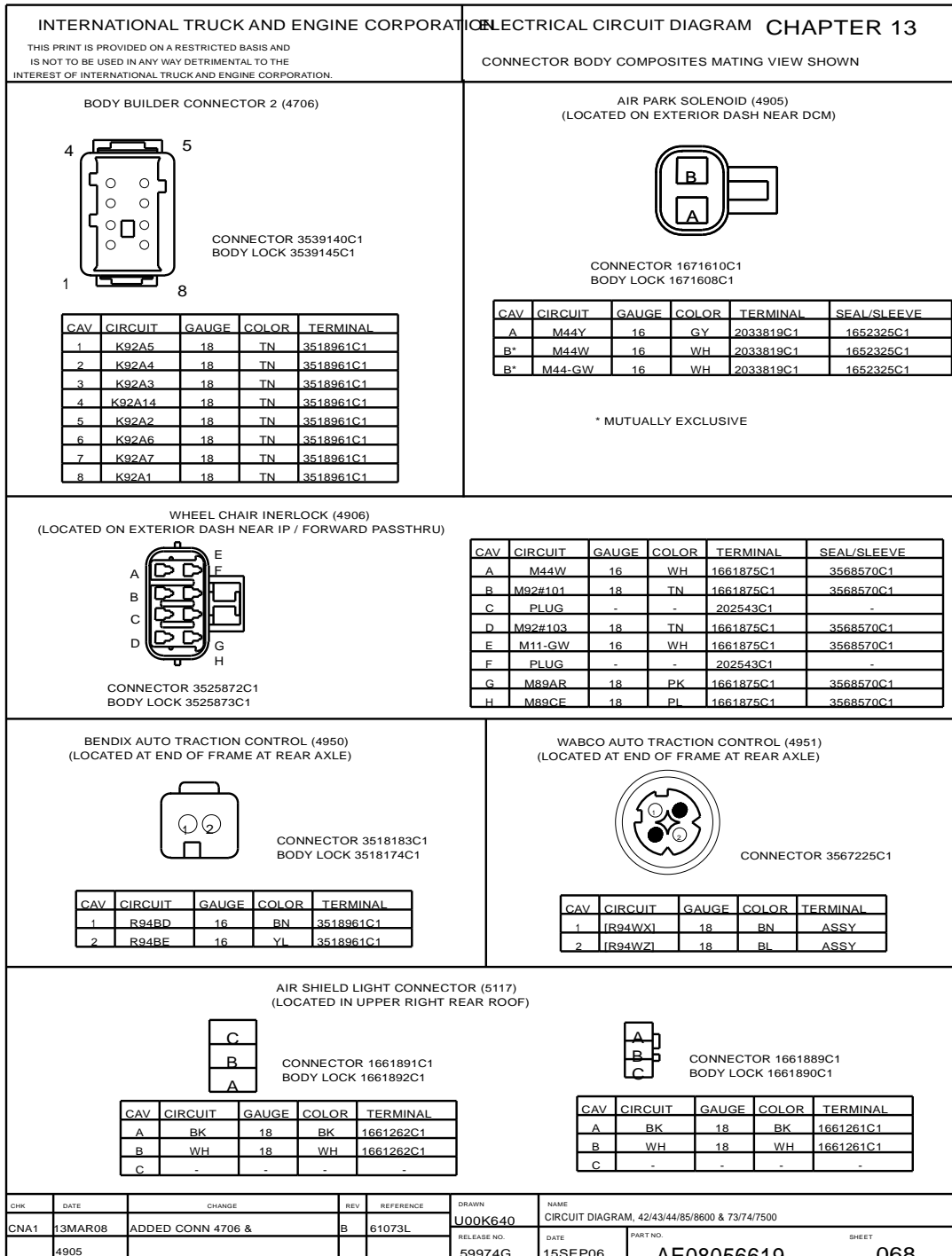


Figure 332 Connector Composites (4706), (4905), (4906), (4950), (4951), (5117)



13.79. CONNECTOR COMPOSITES (6000), (6001), P. 69

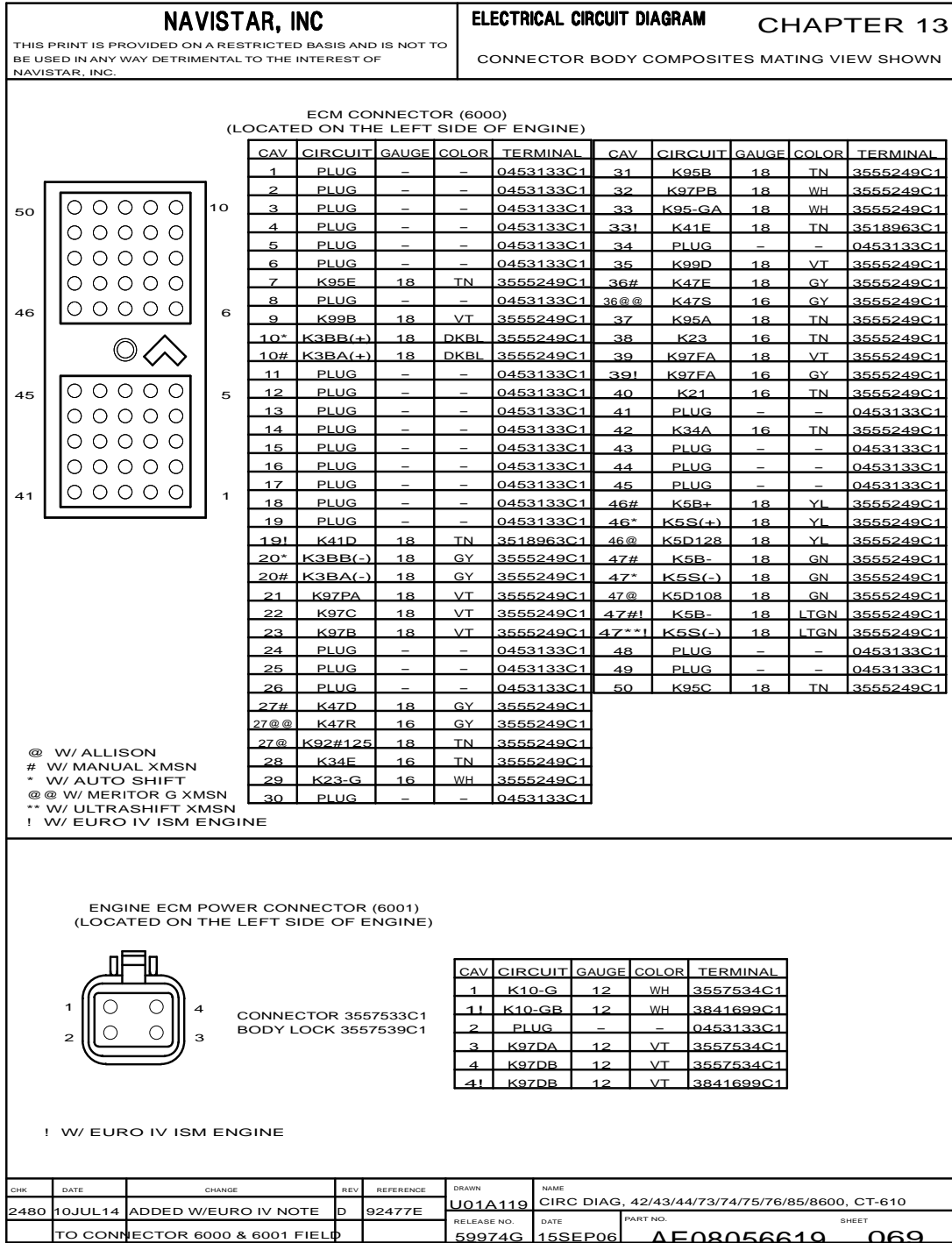


Figure 333 Connector Composites (6000), (6001)

13.80. CONNECTOR COMPOSITES (6010), (6011), P. 70

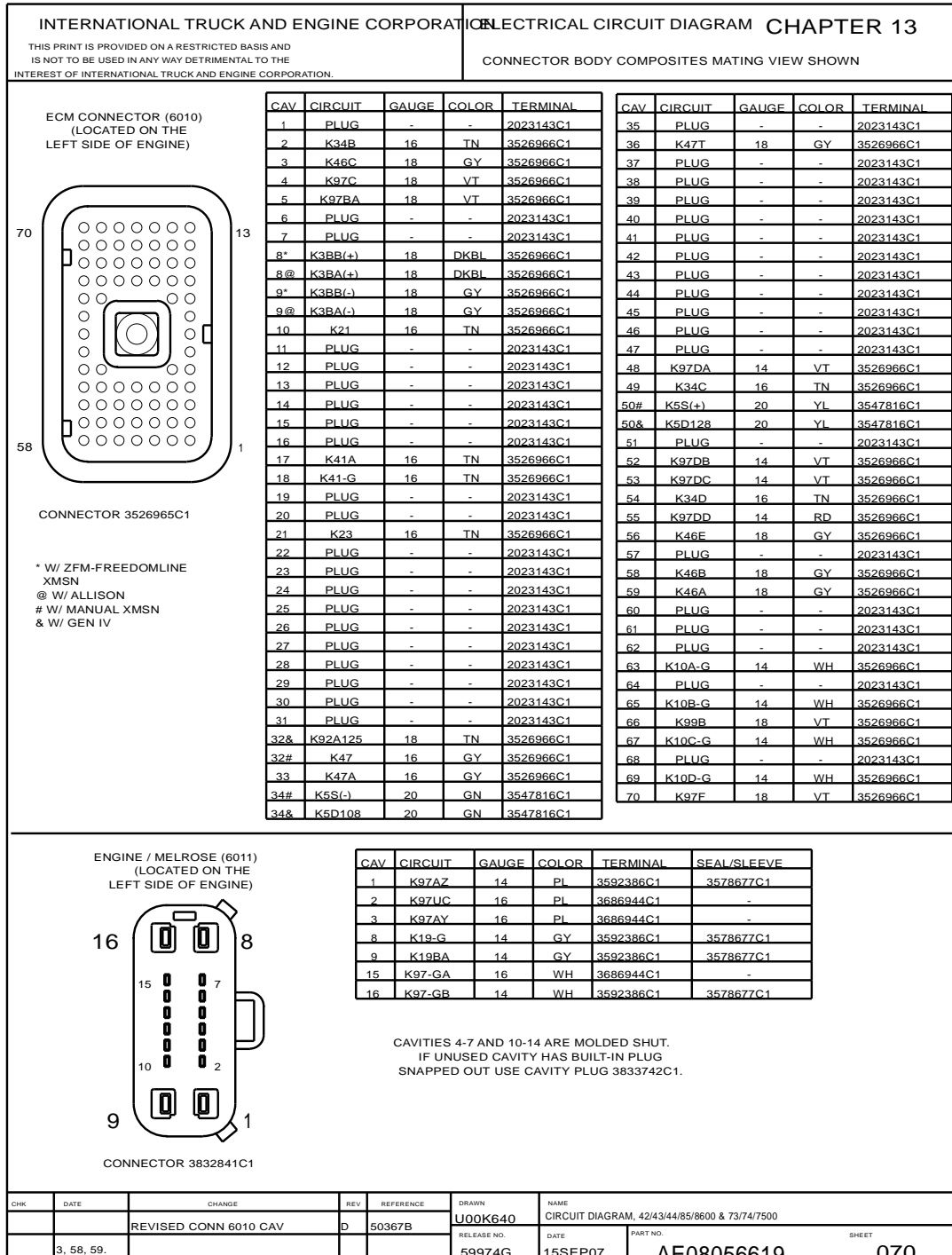


Figure 334 Connector Composites (6010), (6011)

13.81. CONNECTOR COMPOSITES (6018), (6019), (6020), P. 70A

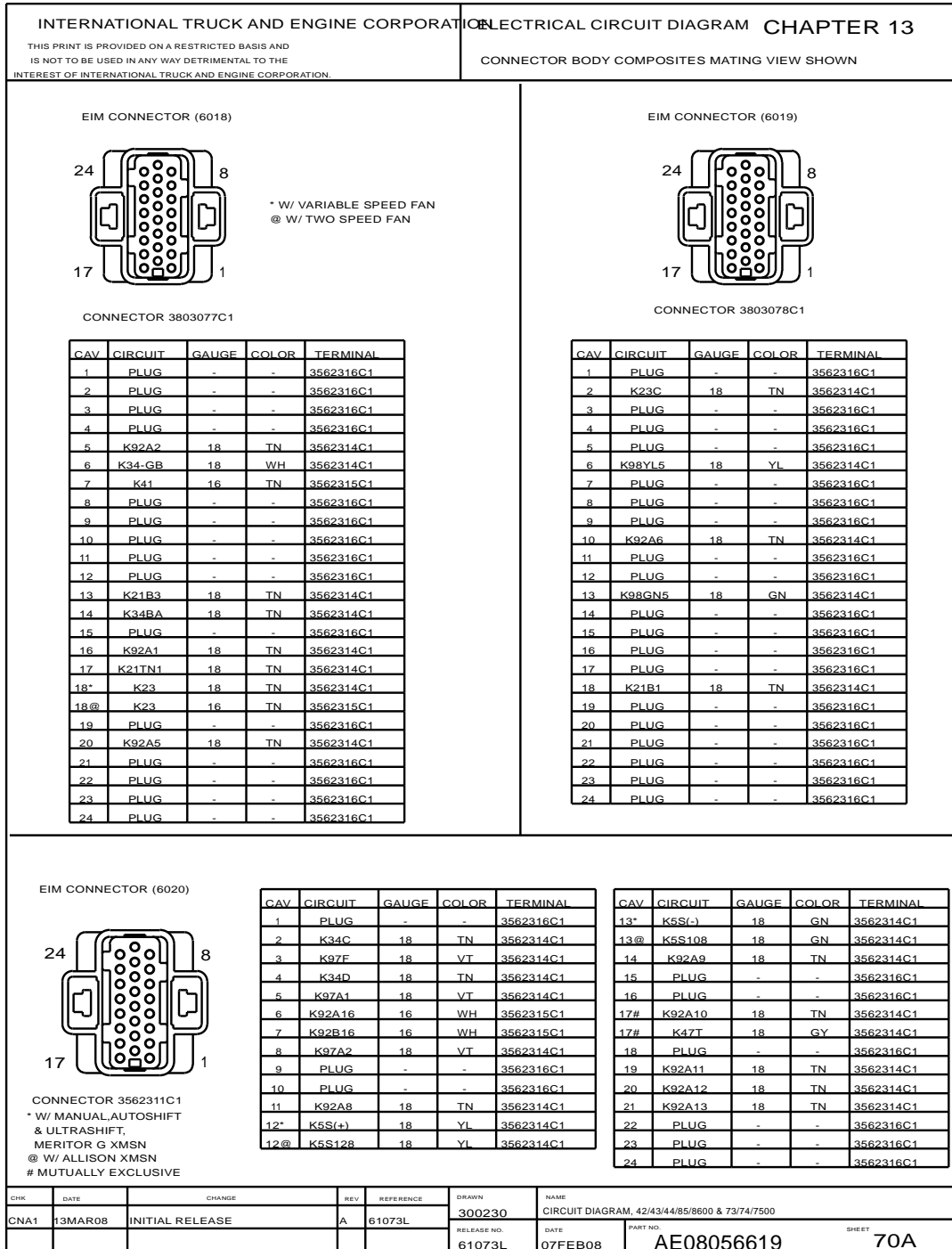


Figure 335 Connector Composites (6018), (6019), (6020)

13.82. CONNECTOR COMPOSITES (6020M), P. 71

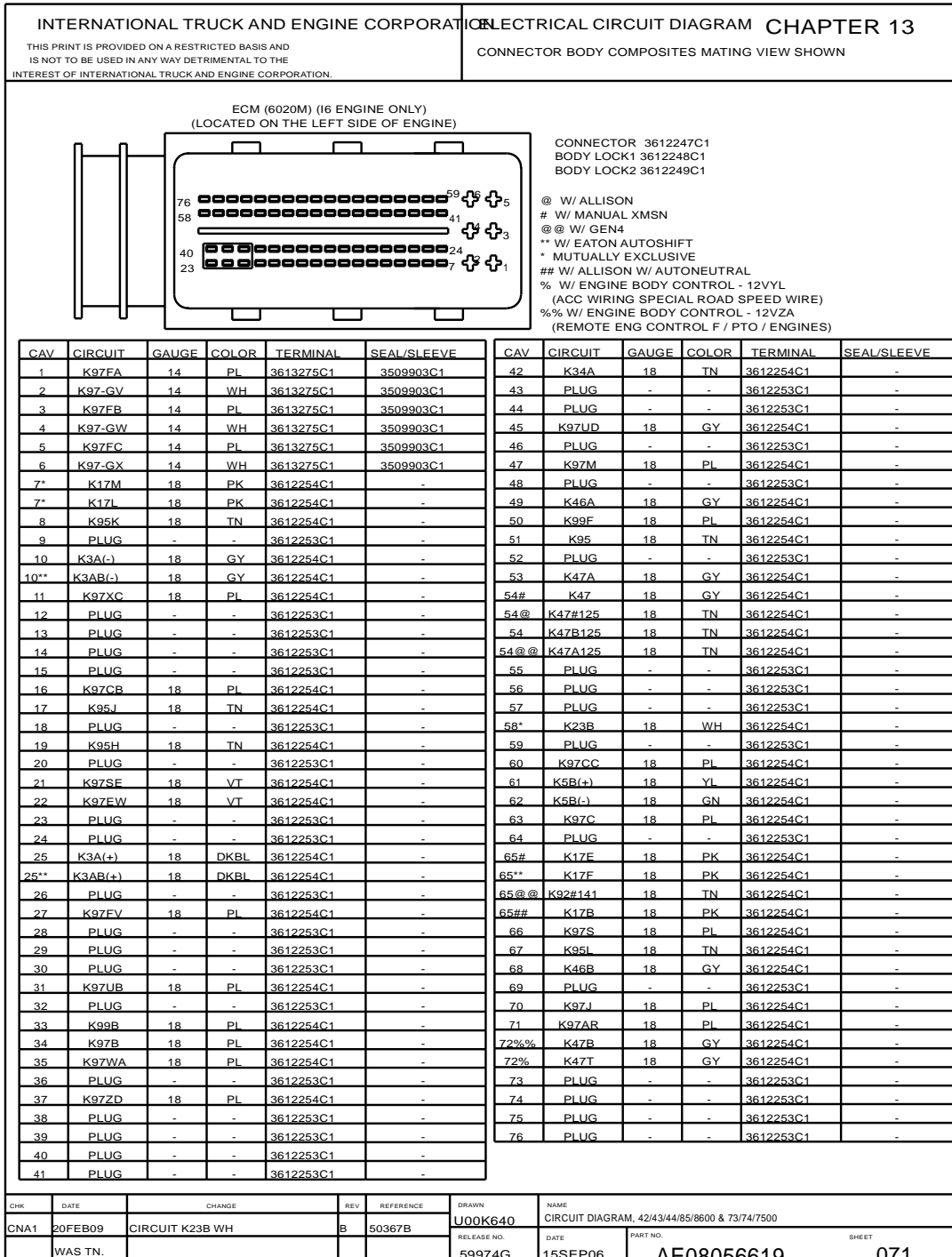


Figure 336 Connector Composites (6020M)

13.83. CONNECTOR COMPOSITES (6020M), P. 72

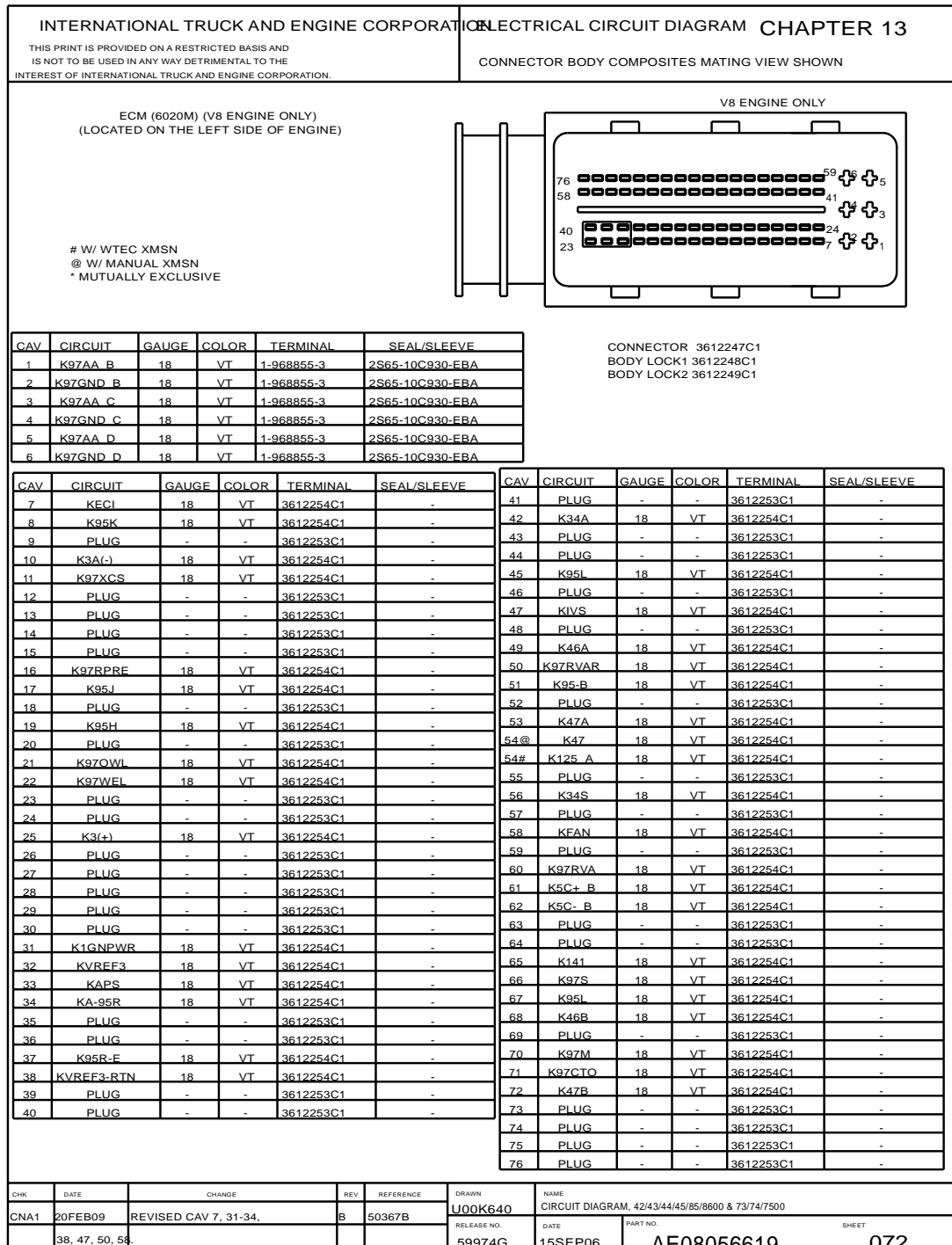


Figure 337 Connector Composites (6020M)

13.84. CONNECTOR COMPOSITES (6021), (6022), (6023), (6033), P. 73

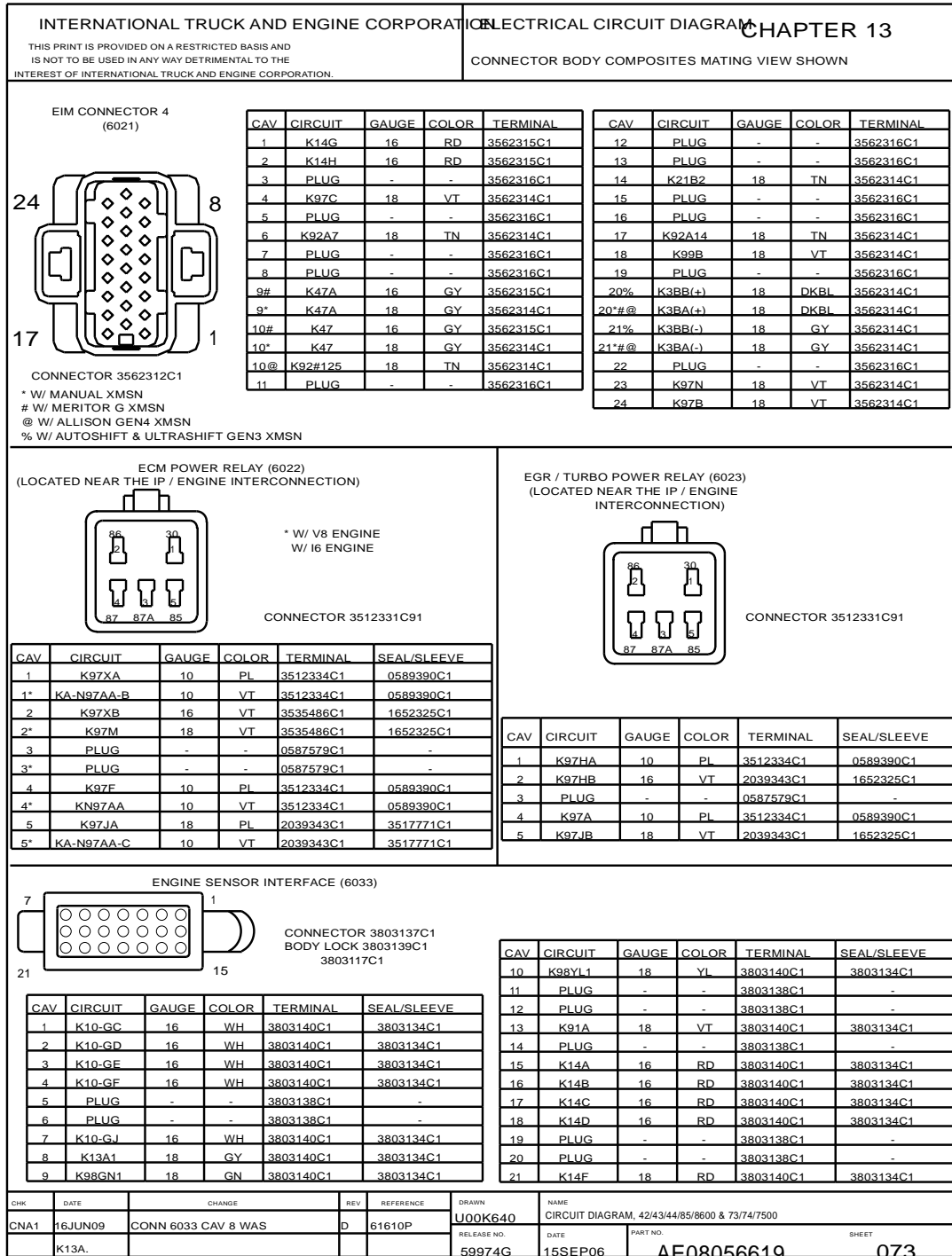


Figure 338 Connector Composites (6021), (6022), (6023), (6033)

13.85. CONNECTOR COMPOSITES (6200), (6201), (6259), P. 74

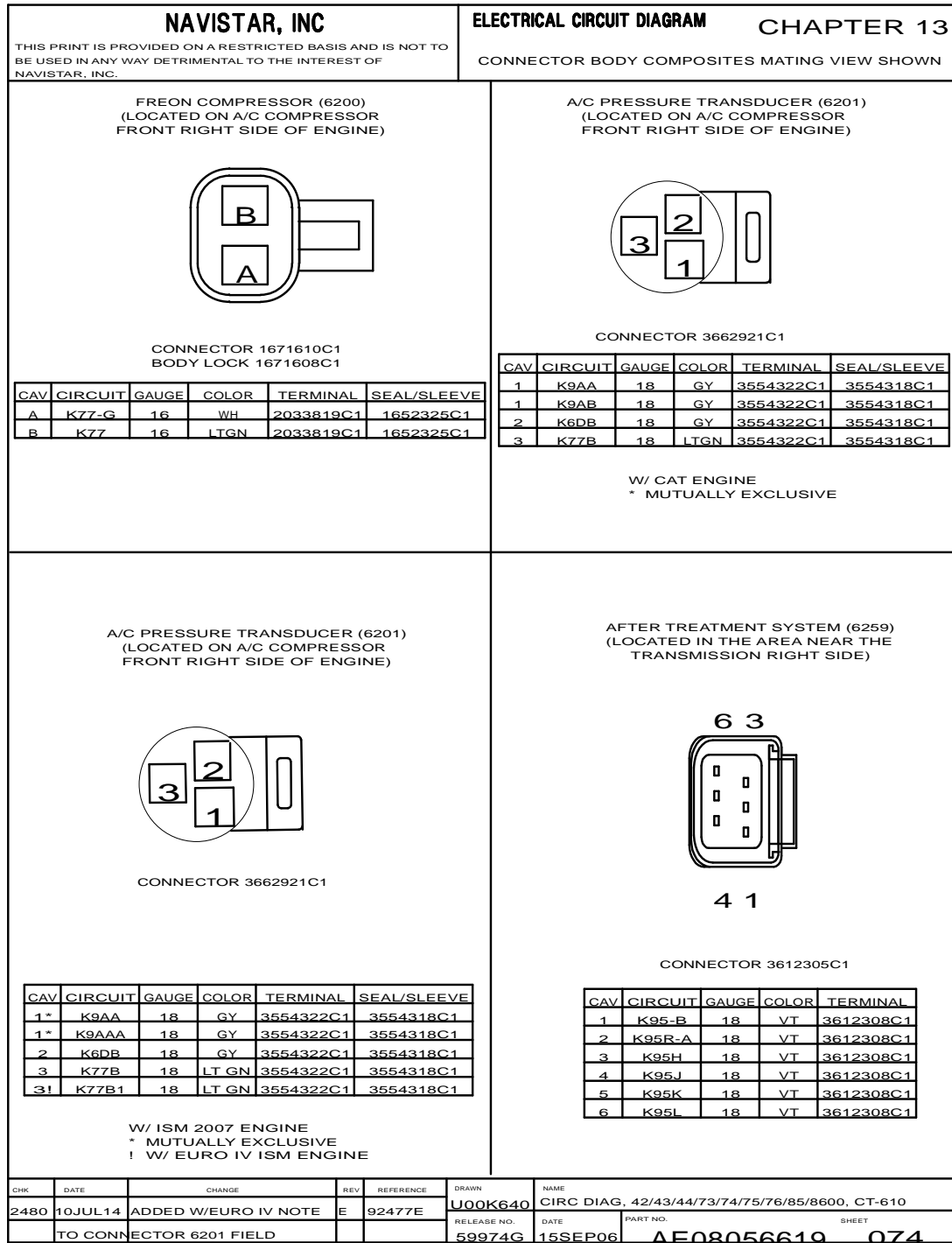


Figure 339 Connector Composites (6200), (6201), (6259)

13.86. CONNECTOR COMPOSITES (6261), (6262), (6263), (6304), (6316M), (6323), P. 75

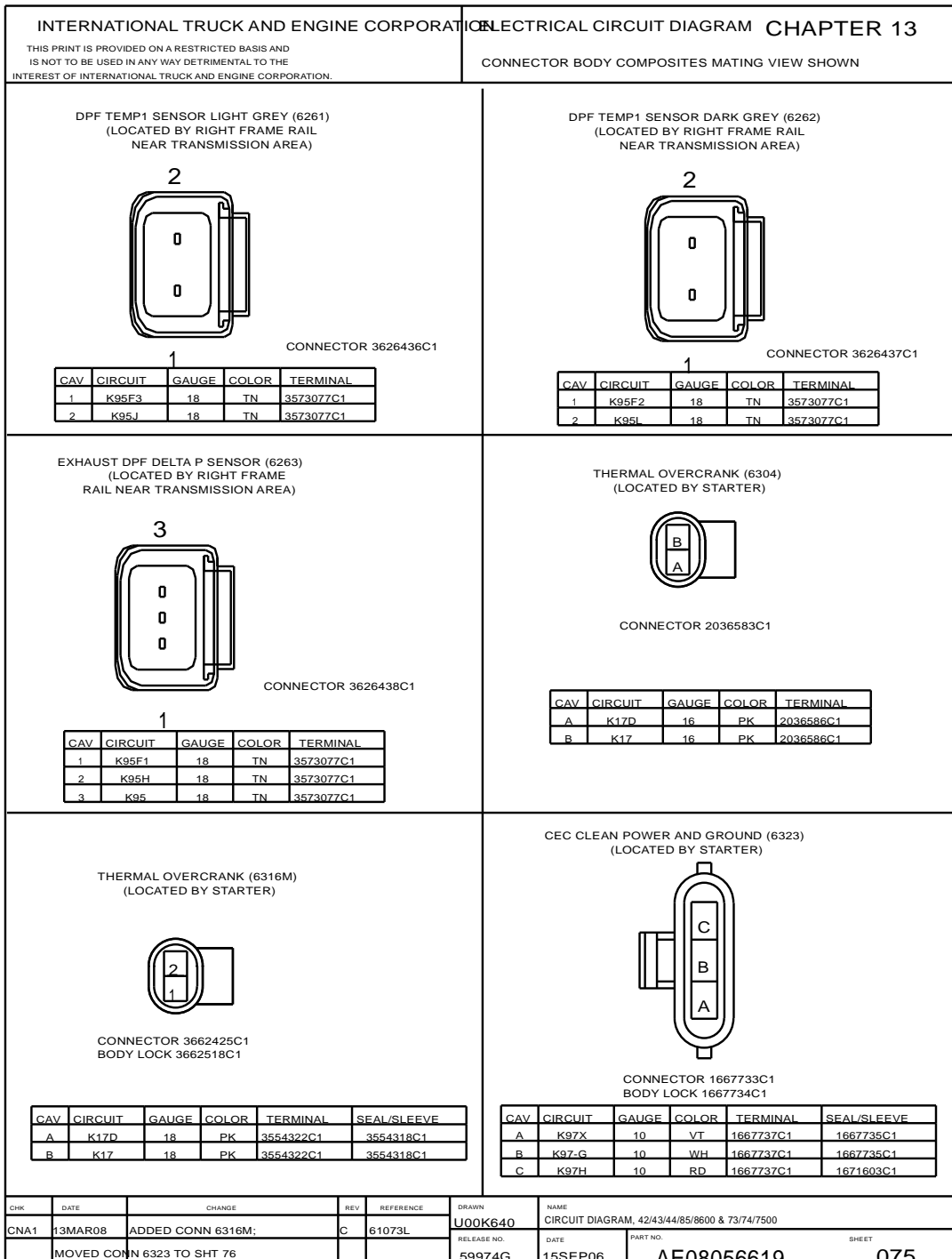


Figure 340 Connector Composites (6261), (6262), (6263), (6304), (6316M), (6323)



13.87. CONNECTOR COMPOSITES (6323), (6334), (6400), (6401), P. 76

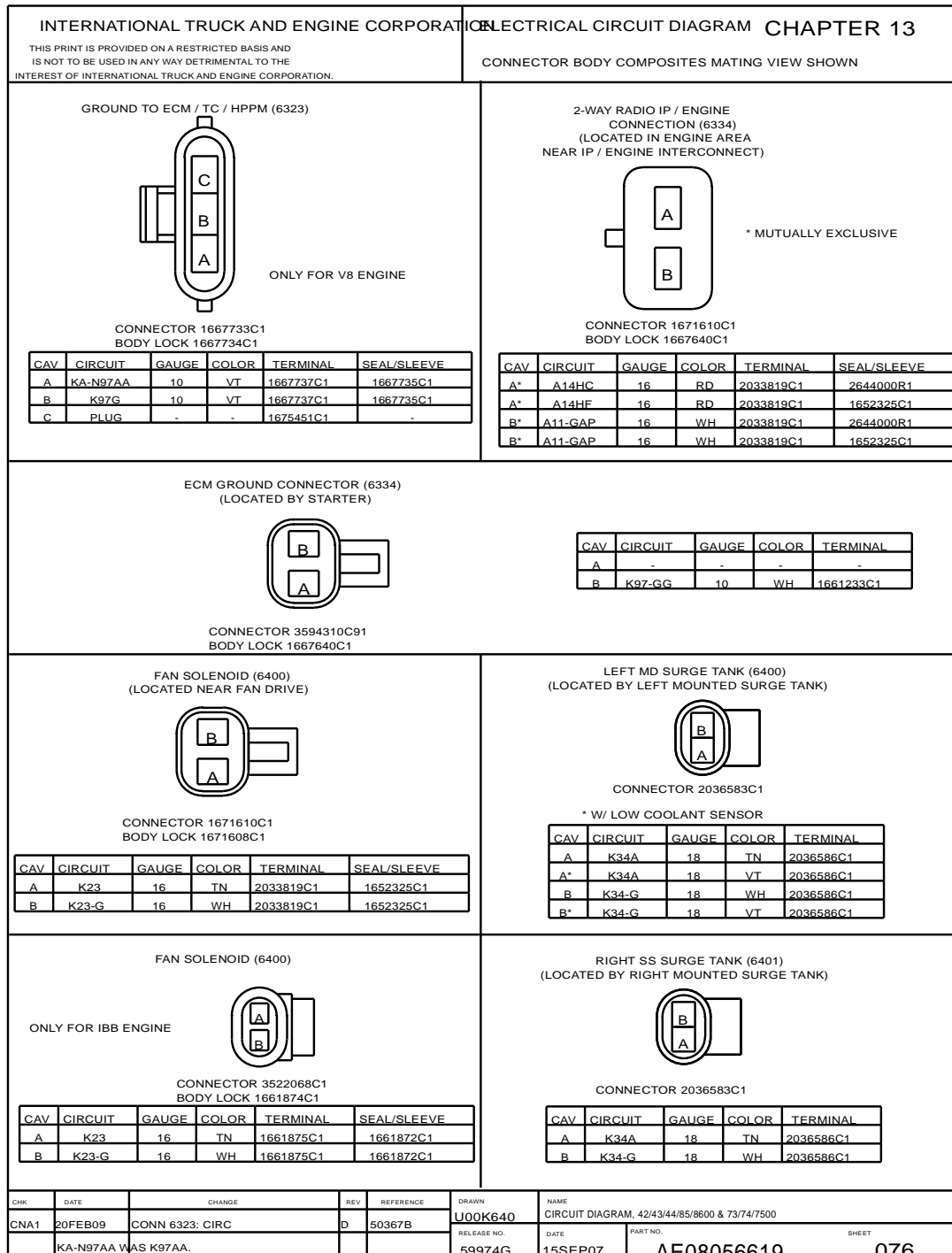


Figure 341 Connector Composites (6323), (6334), (6400), (6401)

13.88. CONNECTOR COMPOSITES (6401), (6401 / 6407), (6402), (6403), P. 77

<b>NAVISTAR, INC</b>		<b>ELECTRICAL CIRCUIT DIAGRAM</b>		<b>CHAPTER 13</b>				
THIS PRINT IS PROVIDED ON A RESTRICTED BASIS AND IS NOT TO BE USED IN ANY WAY DETRIMENTAL TO THE INTEREST OF NAVISTAR, INC.		CONNECTOR BODY COMPOSITES MATING VIEW SHOWN						
LOW COOLANT SENSOR (6401) (LOCATED ON COOLANT RESERVOIR)			LOW COOLANT SENSOR 8600 / LOW COOLANT SENSOR 7000 (6401 / 6407)					
CONNECTOR 1671610C1 BODY LOCK 1671608C1			WITH IBB ENGINE # W/ISM 2007 ENGINE * W/ CAT ENGINE CONNECTOR 1673746C1 BODY LOCK 1667873C1					
CAV	CIRCUIT	GAUGE	COLOR	TERMINAL	SEAL/SLEEVE			
A*	K34	16	TN	2033819C1	1652325C1			
AI	S34	16	TN	2033819C1	1652325C1			
B*	K34A1	16	TN	2033819C1	1652325C1			
BI	S34A1	16	TN	2033819C1	1652325C1			
! W/ EURO IV ISM ENGINE * W/ ISM ENGINE 2007								
LOW COOLANT SOLENOID (6402)			VARIABLE SPEED FAN DRIVE (6402) (ISM ENGINE)					
CONNECTOR 3582941C1 BODY LOCK 1661874C1			CONNECTOR 3540757C1 BODY LOCK 3540758C1					
CAV	CIRCUIT	GAUGE	COLOR	TERMINAL	SEAL/SLEEVE			
A	K59	18	VT	1667742C1	1661872C1			
B	K34S	18	VT	1667742C1	1661872C1			
CAV	CIRCUIT	GAUGE	COLOR	TERMINAL	SEAL/SLEEVE			
A	K23	16	TN	1667742C1	1661872C1			
B	K9AD	18	GY	1667742C1	1661872C1			
C	K23A	16	TN	1667742C1	1661872C1			
D	K23-G	16	WH	1667742C1	1661872C1			
VARIABLE SPEED FAN DRIVE (6402) (CAT ENGINE) (LOCATED ON FRONT RIGHT SIDE OF ENGINE)			LOW COOLANT SENDER (6403) (LOCATED ON COOLANT RESERVOIR)					
CONNECTOR 3540756C1 BODY LOCK 3540758C1			CONNECTOR 1673746C1 BODY LOCK 1661873C1					
CAV	CIRCUIT	GAUGE	COLOR	TERMINAL	SEAL/SLEEVE			
A	K23	16	TN	1661875C1	1661872C1			
B	K9AD	18	GY	1661875C1	1661872C1			
C	K23A	16	TN	1661875C1	1661872C1			
D	K23-G	16	WH	1661875C1	1661872C1			
CAV	CIRCUIT	GAUGE	COLOR	TERMINAL	SEAL/SLEEVE			
A	K34D	16	TN	1661875C1	1661872C1			
B	K34-GA	16	WH	1661875C1	1661872C1			
C	K34B	16	TN	1661875C1	1661872C1			
D	K34C	16	TN	1661875C1	1661872C1			
CHK	DATE	CHANGE	REV	REFERENCE	DRAWN	NAME		
2480	10JUL14	ADDED W/EURO IV NOTE	G	92477E	U00K640	CIRC DIAG, 42/43/44/73/74/75/76/85/8600, CT-610		
		TO CONN	6401 FIELD		RELEASE NO.	DATE	PART NO.	SHEET
				59974G	15SEP07	AE08056619	077	

Figure 342 Connector Composites (6401), (6401 / 6407), (6402), (6403)

13.89. CONNECTOR COMPOSITES (6406A), (6407M), (6420), (6550), (6561), (6650), (6701), P. 77A

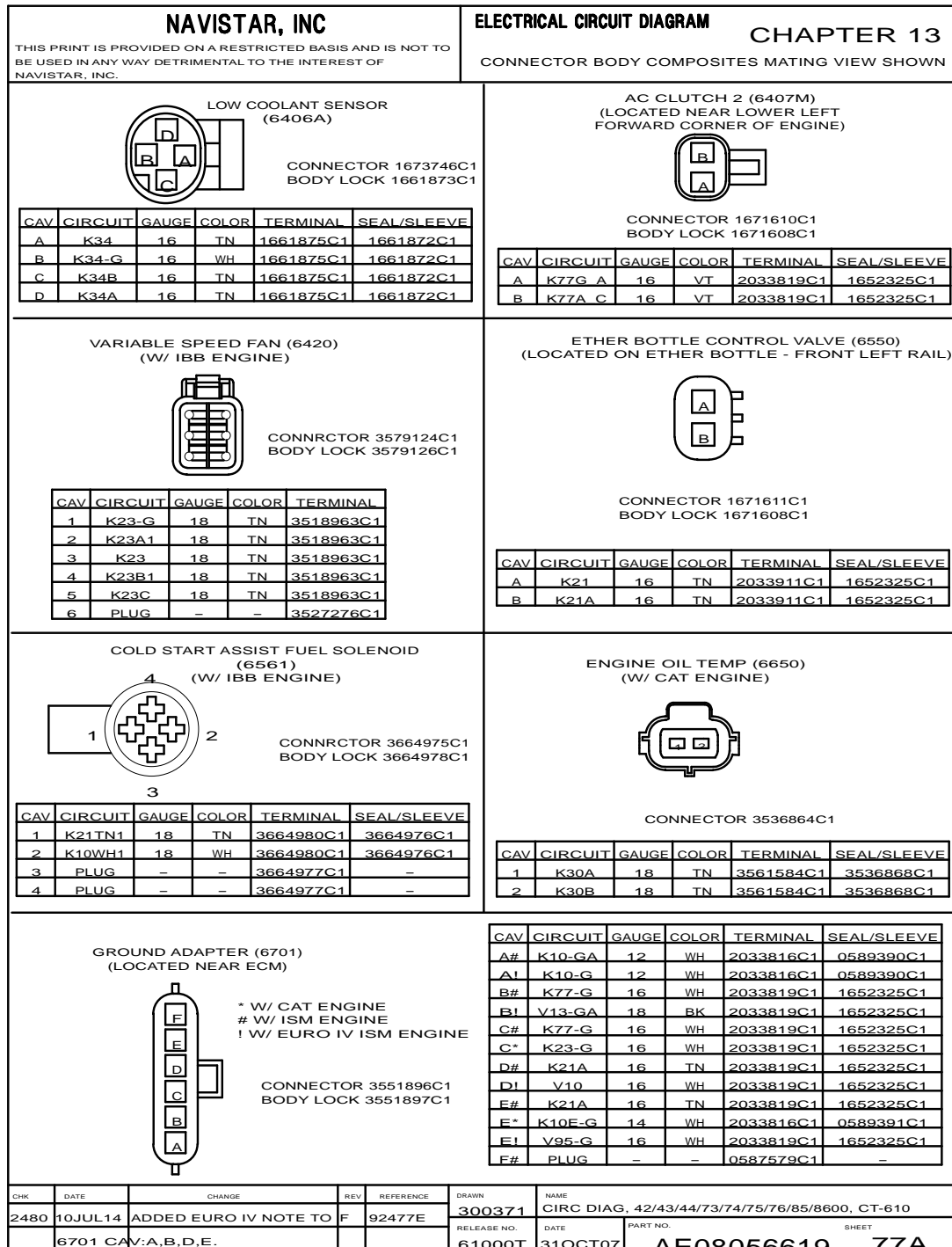


Figure 343 Connector Composites (6406A), (6407M), (6420), (6550), (6561), (6650), (6701)

13.90. CONNECTOR COMPOSITES (6702), (6703A), (6703), (6704), P. 78

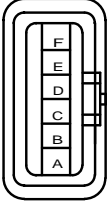
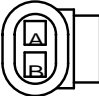

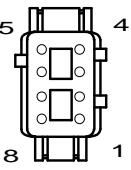
<b>NAVISTAR, INC</b>				<b>ELECTRICAL CIRCUIT DIAGRAM</b>		<b>CHAPTER 13</b>																																																																																											
THIS PRINT IS PROVIDED ON A RESTRICTED BASIS AND IS NOT TO BE USED IN ANY WAY DETRIMENTAL TO THE INTEREST OF NAVISTAR, INC.				CONNECTOR BODY COMPOSITES MATING VIEW SHOWN																																																																																													
ZERO VOLT REFERENCE (6702) (LOCATED AT UPPER REAR SIDE OF ENGINE)				<table border="1" style="width:100%; border-collapse: collapse; font-size: x-small;"> <thead> <tr> <th>CAV</th><th>CIRCUIT</th><th>GAUGE</th><th>COLOR</th><th>TERMINAL</th><th>SEAL/SLEEVE</th></tr> </thead> <tbody> <tr><td>A</td><td>K9AA</td><td>16</td><td>GY</td><td>3535303C1</td><td>3535424C1</td></tr> <tr><td>B*</td><td>K9AB</td><td>16</td><td>GY</td><td>3535303C1</td><td>3535424C1</td></tr> <tr><td>B#</td><td>K9AAA</td><td>16</td><td>GY</td><td>3535303C1</td><td>3535424C1</td></tr> <tr><td>B&amp;</td><td>K9AAA</td><td>18</td><td>GY</td><td>3535303C1</td><td>3535424C1</td></tr> <tr><td>C%*</td><td>K9AC</td><td>18</td><td>GY</td><td>3535303C1</td><td>3535424C1</td></tr> <tr><td>C#</td><td>K9AB</td><td>18</td><td>TN</td><td>3535303C1</td><td>3535424C1</td></tr> <tr><td>C*@</td><td>K9AAD</td><td>18</td><td>GY</td><td>3535303C1</td><td>3535424C1</td></tr> <tr><td>C&amp;</td><td>K9AAD</td><td>18</td><td>GY</td><td>3535303C1</td><td>3535424C1</td></tr> <tr><td>C!</td><td>T9AC</td><td>18</td><td>TN</td><td>3535303C1</td><td>3535424C1</td></tr> <tr><td>D#&amp;</td><td>K9AAB</td><td>18</td><td>GY</td><td>3535303C1</td><td>3535424C1</td></tr> <tr><td>D*</td><td>K30B</td><td>18</td><td>TN</td><td>3535303C1</td><td>3535424C1</td></tr> <tr><td>E</td><td>K9AD</td><td>18</td><td>GY</td><td>3535303C1</td><td>3535424C1</td></tr> <tr><td>F#</td><td>K9AAD</td><td>18</td><td>GY</td><td>3535303C1</td><td>3535424C1</td></tr> <tr><td>F*</td><td>K9AAB</td><td>18</td><td>GY</td><td>3535303C1</td><td>3535424C1</td></tr> </tbody> </table>				CAV	CIRCUIT	GAUGE	COLOR	TERMINAL	SEAL/SLEEVE	A	K9AA	16	GY	3535303C1	3535424C1	B*	K9AB	16	GY	3535303C1	3535424C1	B#	K9AAA	16	GY	3535303C1	3535424C1	B&	K9AAA	18	GY	3535303C1	3535424C1	C%*	K9AC	18	GY	3535303C1	3535424C1	C#	K9AB	18	TN	3535303C1	3535424C1	C*@	K9AAD	18	GY	3535303C1	3535424C1	C&	K9AAD	18	GY	3535303C1	3535424C1	C!	T9AC	18	TN	3535303C1	3535424C1	D#&	K9AAB	18	GY	3535303C1	3535424C1	D*	K30B	18	TN	3535303C1	3535424C1	E	K9AD	18	GY	3535303C1	3535424C1	F#	K9AAD	18	GY	3535303C1	3535424C1	F*	K9AAB	18	GY	3535303C1	3535424C1
CAV	CIRCUIT	GAUGE	COLOR	TERMINAL	SEAL/SLEEVE																																																																																												
A	K9AA	16	GY	3535303C1	3535424C1																																																																																												
B*	K9AB	16	GY	3535303C1	3535424C1																																																																																												
B#	K9AAA	16	GY	3535303C1	3535424C1																																																																																												
B&	K9AAA	18	GY	3535303C1	3535424C1																																																																																												
C%*	K9AC	18	GY	3535303C1	3535424C1																																																																																												
C#	K9AB	18	TN	3535303C1	3535424C1																																																																																												
C*@	K9AAD	18	GY	3535303C1	3535424C1																																																																																												
C&	K9AAD	18	GY	3535303C1	3535424C1																																																																																												
C!	T9AC	18	TN	3535303C1	3535424C1																																																																																												
D#&	K9AAB	18	GY	3535303C1	3535424C1																																																																																												
D*	K30B	18	TN	3535303C1	3535424C1																																																																																												
E	K9AD	18	GY	3535303C1	3535424C1																																																																																												
F#	K9AAD	18	GY	3535303C1	3535424C1																																																																																												
F*	K9AAB	18	GY	3535303C1	3535424C1																																																																																												
 <p>CONNECTOR 3543729C1 BODY LOCK 3543731C1</p> <p>* W/ CAT ENGINE # W/ ISM ENGINE @ W/ FREEDOMLINE XMSN % W/ TRANS OIL TEMP GAUGE AND AC &amp; W/ IBB ENGINE ! W/ EURO IV ISM ENGINE</p>																																																																																																	
AIR RESTRICTION GAUGE (6703A)				<table border="1" style="width:100%; border-collapse: collapse; font-size: x-small;"> <thead> <tr> <th>CAV</th><th>CIRCUIT</th><th>GAUGE</th><th>COLOR</th><th>TERMINAL</th><th>SEAL/SLEEVE</th></tr> </thead> <tbody> <tr><td>A</td><td>K9AAB</td><td>18</td><td>GY</td><td>1661875C1</td><td>1661872C1</td></tr> <tr><td>B</td><td>K28</td><td>18</td><td>TN</td><td>1661875C1</td><td>1661872C1</td></tr> </tbody> </table>				CAV	CIRCUIT	GAUGE	COLOR	TERMINAL	SEAL/SLEEVE	A	K9AAB	18	GY	1661875C1	1661872C1	B	K28	18	TN	1661875C1	1661872C1																																																																								
CAV	CIRCUIT	GAUGE	COLOR	TERMINAL	SEAL/SLEEVE																																																																																												
A	K9AAB	18	GY	1661875C1	1661872C1																																																																																												
B	K28	18	TN	1661875C1	1661872C1																																																																																												
 <p>CONNECTOR 3522068C1 BODY LOCK 1661874C1</p>																																																																																																	
INTAKE AIR TEMP (6703) (LOCATED ON AIR FILTER HOUSING)				<table border="1" style="width:100%; border-collapse: collapse; font-size: x-small;"> <thead> <tr> <th>CAV</th><th>CIRCUIT</th><th>GAUGE</th><th>COLOR</th><th>TERMINAL</th><th>SEAL/SLEEVE</th></tr> </thead> <tbody> <tr><td>1#</td><td>K97R</td><td>18</td><td>VT</td><td>1689464C1</td><td>3536868C1</td></tr> <tr><td>1&amp;</td><td>K41</td><td>16</td><td>TN</td><td>1689464C1</td><td>3536868C1</td></tr> <tr><td>1@</td><td>K97EE</td><td>16</td><td>VT</td><td>3536865C1</td><td>3536868C1</td></tr> <tr><td>2&amp;</td><td>K41-G</td><td>16</td><td>WH</td><td>1689464C1</td><td>3536868C1</td></tr> <tr><td>2#</td><td>K97S</td><td>18</td><td>VT</td><td>1689464C1</td><td>3536868C1</td></tr> <tr><td>2@</td><td>K97SA</td><td>16</td><td>VT</td><td>3536865C1</td><td>3536868C1</td></tr> </tbody> </table>				CAV	CIRCUIT	GAUGE	COLOR	TERMINAL	SEAL/SLEEVE	1#	K97R	18	VT	1689464C1	3536868C1	1&	K41	16	TN	1689464C1	3536868C1	1@	K97EE	16	VT	3536865C1	3536868C1	2&	K41-G	16	WH	1689464C1	3536868C1	2#	K97S	18	VT	1689464C1	3536868C1	2@	K97SA	16	VT	3536865C1	3536868C1																																																
CAV	CIRCUIT	GAUGE	COLOR	TERMINAL	SEAL/SLEEVE																																																																																												
1#	K97R	18	VT	1689464C1	3536868C1																																																																																												
1&	K41	16	TN	1689464C1	3536868C1																																																																																												
1@	K97EE	16	VT	3536865C1	3536868C1																																																																																												
2&	K41-G	16	WH	1689464C1	3536868C1																																																																																												
2#	K97S	18	VT	1689464C1	3536868C1																																																																																												
2@	K97SA	16	VT	3536865C1	3536868C1																																																																																												
 <p>CONNECTOR 3915159C1</p> <p># W/ V8 ENGINE &amp; W/ IBB ENGINE @ W/ I6 ENGINE</p>																																																																																																	
FLEETGUARD AFTERTREATMENT (6704) (LOCATED AT UNDER SIDE OF TRANSMISSION)				<table border="1" style="width:100%; border-collapse: collapse; font-size: x-small;"> <thead> <tr> <th>CAV</th><th>CIRCUIT</th><th>GAUGE</th><th>COLOR</th><th>TERMINAL</th></tr> </thead> <tbody> <tr><td>1</td><td>K95A</td><td>18</td><td>TN</td><td>3555249C1</td></tr> <tr><td>2</td><td>K95B</td><td>18</td><td>TN</td><td>3555249C1</td></tr> <tr><td>3</td><td>K95C</td><td>18</td><td>TN</td><td>3555249C1</td></tr> <tr><td>4</td><td>K95-GA</td><td>18</td><td>WH</td><td>3555249C1</td></tr> <tr><td>5</td><td>K95D</td><td>18</td><td>TN</td><td>3555249C1</td></tr> <tr><td>6</td><td>K95E</td><td>18</td><td>TN</td><td>3555249C1</td></tr> <tr><td>7</td><td>K95-GB</td><td>18</td><td>WH</td><td>3555249C1</td></tr> <tr><td>8</td><td>PLUG</td><td>-</td><td>-</td><td>3527276C1</td></tr> </tbody> </table>				CAV	CIRCUIT	GAUGE	COLOR	TERMINAL	1	K95A	18	TN	3555249C1	2	K95B	18	TN	3555249C1	3	K95C	18	TN	3555249C1	4	K95-GA	18	WH	3555249C1	5	K95D	18	TN	3555249C1	6	K95E	18	TN	3555249C1	7	K95-GB	18	WH	3555249C1	8	PLUG	-	-	3527276C1																																													
CAV	CIRCUIT	GAUGE	COLOR	TERMINAL																																																																																													
1	K95A	18	TN	3555249C1																																																																																													
2	K95B	18	TN	3555249C1																																																																																													
3	K95C	18	TN	3555249C1																																																																																													
4	K95-GA	18	WH	3555249C1																																																																																													
5	K95D	18	TN	3555249C1																																																																																													
6	K95E	18	TN	3555249C1																																																																																													
7	K95-GB	18	WH	3555249C1																																																																																													
8	PLUG	-	-	3527276C1																																																																																													
 <p>CONNECTOR 3539139C1 BODY LOCK 3539144C1</p>																																																																																																	
CHK	DATE	CHANGE	REV	REFERENCE	DRAWN	NAME																																																																																											
2480	10JUL14	ADDED W/EURO IV NOTE	H	92477E	U00K640	CIRC DIAG, 42/43/44/73/74/75/76/85/8600, CT-610																																																																																											
					RELEASE NO.	DATE	PART NO.	SHEET																																																																																									
					59974G	15SEP06	AE08056619	078																																																																																									

Figure 344 Connector Composites (6702), (6703A), (6703), (6704)

13.91. CONNECTOR COMPOSITES (6704A), (6704M), (6706), (6707), (6708 / 6709), (6712), P. 78A

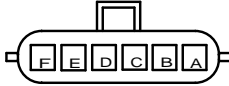
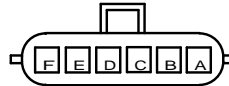
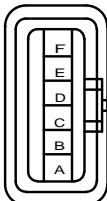
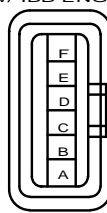
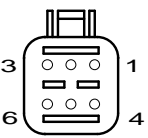
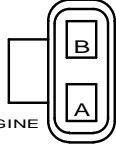
NAVISTAR, INC					ELECTRICAL CIRCUIT DIAGRAM		CHAPTER 13				
THIS PRINT IS PROVIDED ON A RESTRICTED BASIS AND IS NOT TO BE USED IN ANY WAY DETRIMENTAL TO THE INTEREST OF NAVISTAR, INC.					CONNECTOR BODY COMPOSITES MATING VIEW SHOWN						
<b>GROUND ADAPTER (6704A)</b> (W/ IBB ENGINE)					<b>GROUND ADAPTER (6704M)</b> (LOCATED NEAR THE ENGINE ECM CONNECTION)						
											
CONNRCTOR 3551896C1 BODY LOCK 3551897C1  * MUTUALLY EXCLUSIVE					CONNECTOR 3551896C1 BODY LOCK 3551897C1						
CAV	CIRCUIT	GAUGE	COLOR	TERMINAL	SEAL/SLEEVE	CAV	CIRCUIT	GAUGE	COLOR	TERMINAL	SEAL/SLEEVE
A	K10-GB	10	WH	1687847C1	0589390C1	A	PLUG	-	-	0587579C1	-
B	K10WH1	18	WH	2033819C1	3517771C1	B	K77-G	16	WH	2033819C1	1652325C1
C	K77-G	16	WH	2033819C1	1652325C1	C	K10-GB	14	WH	2033816C1	0589391C1
D	K10-G	16	WH	2033819C1	1652325C1	D	PLUG	-	-	0587579C1	-
E*	K23-G	16	WH	2033819C1	1652325C1	E	K34-G	18	WH	2033819C1	1652325C1
E*	K23-G	18	TN	2033819C1	1652325C1	F	K23-G	18	WH	2033819C1	1652325C1
F	PLUG	-	-	0587579C1	-						
<b>EIM 5V ADAPTER (6706)</b> (W/ IBB ENGINE)					<b>EIM OV ADAPTER (6707)</b> (W/ IBB ENGINE)						
											
CONNECTOR 3543729C1 BODY LOCK 3543731C1					*W/ ULTRASHIFT PLUS #N/ ULTRASHIFT PLUS  CONNECTOR 3543729C1 BODY LOCK 3543731C1						
CAV	CIRCUIT	GAUGE	COLOR	TERMINAL	SEAL/SLEEVE	CAV	CIRCUIT	GAUGE	COLOR	TERMINAL	SEAL/SLEEVE
A	K34BA	18	TN	3535303C1	3535424C1	A	K34-GA	18	WH	3535303C1	3535424C1
B	PLUG	-	-	3535425C1	-	B	PLUG	-	-	3535425C1	-
C	K34B	18	TN	3535303C1	3535424C1	C	K34-GA	18	WH	3535303C1	3535424C1
D	K23A1	18	TN	3535303C1	3535424C1	D	K23B1	18	TN	3535303C1	3535424C1
E	K92A4	18	TN	3535303C1	3535424C1	E#	K92A3	18	TN	3535303C1	3535424C1
F	PLUG	-	-	3535425C1	-	E*	K92A17	18	TN	3535303C1	3535424C1
						F	PLUG	-	-	3535425C1	-
<b>AFTERTREATMENT DPF 1 / ENGINE DPF 1</b> (6708 / 6709)					<b>ECM FUSE (6712)</b> LOCATED ON IP/ENG INTERCONN SUPPORT						
											
CONNECTOR 3662015C1					* W/ CUMMINS ENGINE # W/ CAT ENGINE ! W/ ISM 2007 & EURO IV ISM ENGINE  CONNECTOR 3512967C1 BODY LOCK 1675451C1						
CAV	CIRCUIT	GAUGE	COLOR	TERMINAL	CAV	CIRCUIT	GAUGE	COLOR	TERMINAL		
1	K95D	16	TN	1651988C1	A*	K14AF	10	RD	1661708C1		
2	K95-GB	16	WH	1651988C1	A#	K97DF	10	VT	1661708C1		
3	K95E	16	TN	1651988C1	A!	K14A	12	RD	3679001C1		
4	K95A	16	TN	1651988C1	B*	K14	10	RD	1661708C1		
5	K95C	16	TN	1651988C1	B#	K97D	10	VT	1661708C1		
6	K95-GA	16	WH	1651988C1	B!	K97FX	10	GY	3679001C1		
CHK	DATE	CHANGE	REV	REFERENCE	DRAWN	NAME					
2480	10JUL14	ADDED EURO IV NOTE TO	E	92477E	300230	CIRC DIAG, 42/43/44/73/74/75/76/85/8600, CT-610					
					RELEASE NO.	DATE	PART NO.	SHEET			
					6712 CAV: A & B.	610731	08FEB08	AE08056619	78A		

Figure 345 Connector Composites (6704A), (6704M), (6706), (6707), (6708 / 6709), (6712)

13.92. CONNECTOR COMPOSITES (6713), (6714), (6716), (6716A), (6720 / 6721), (6725), P. 79

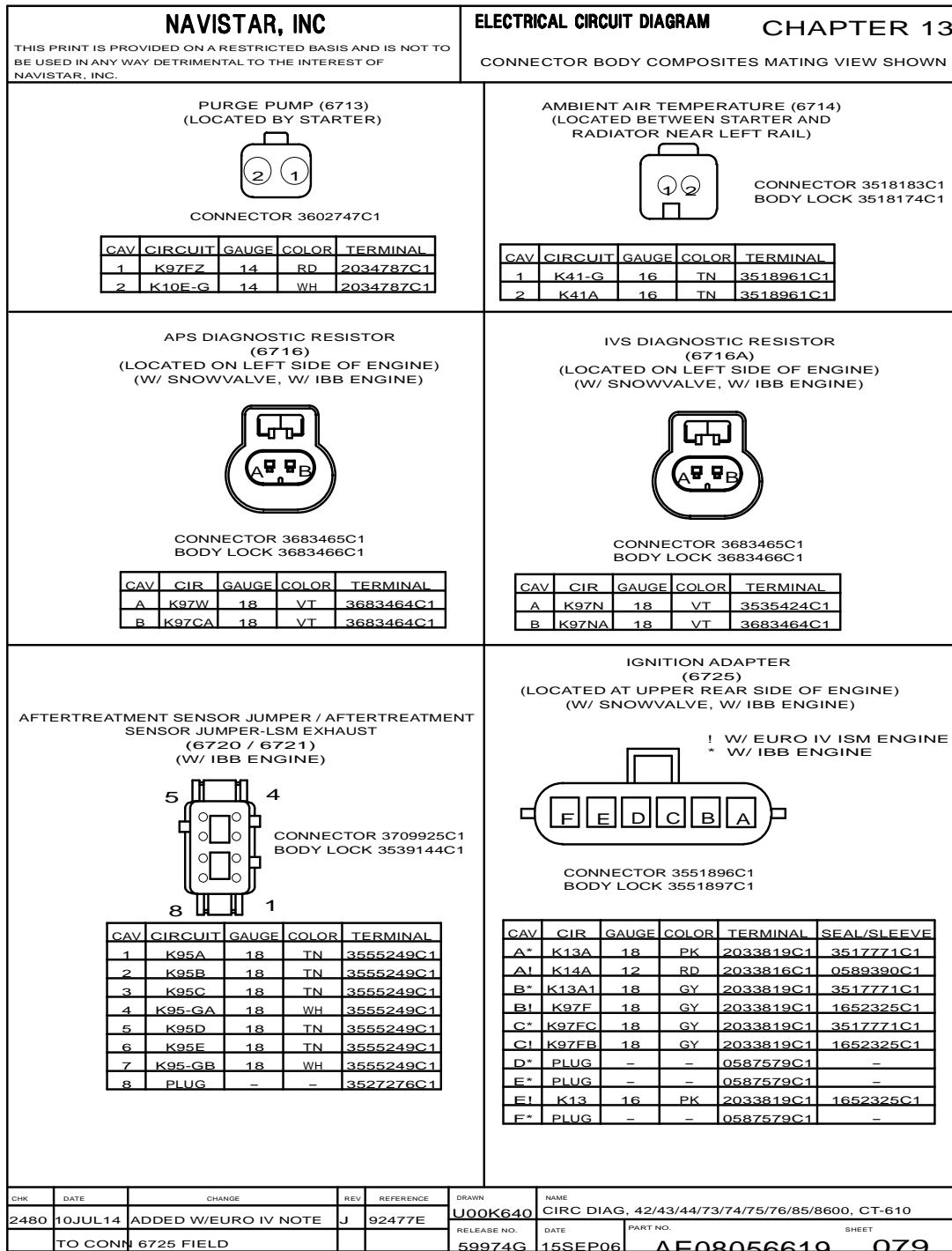


Figure 346 Connector Composites (6713), (6714), (6716), (6716A), (6720 / 6721), (6725)

13.93. CONNECTOR COMPOSITES (6730), (6731), P. 79A

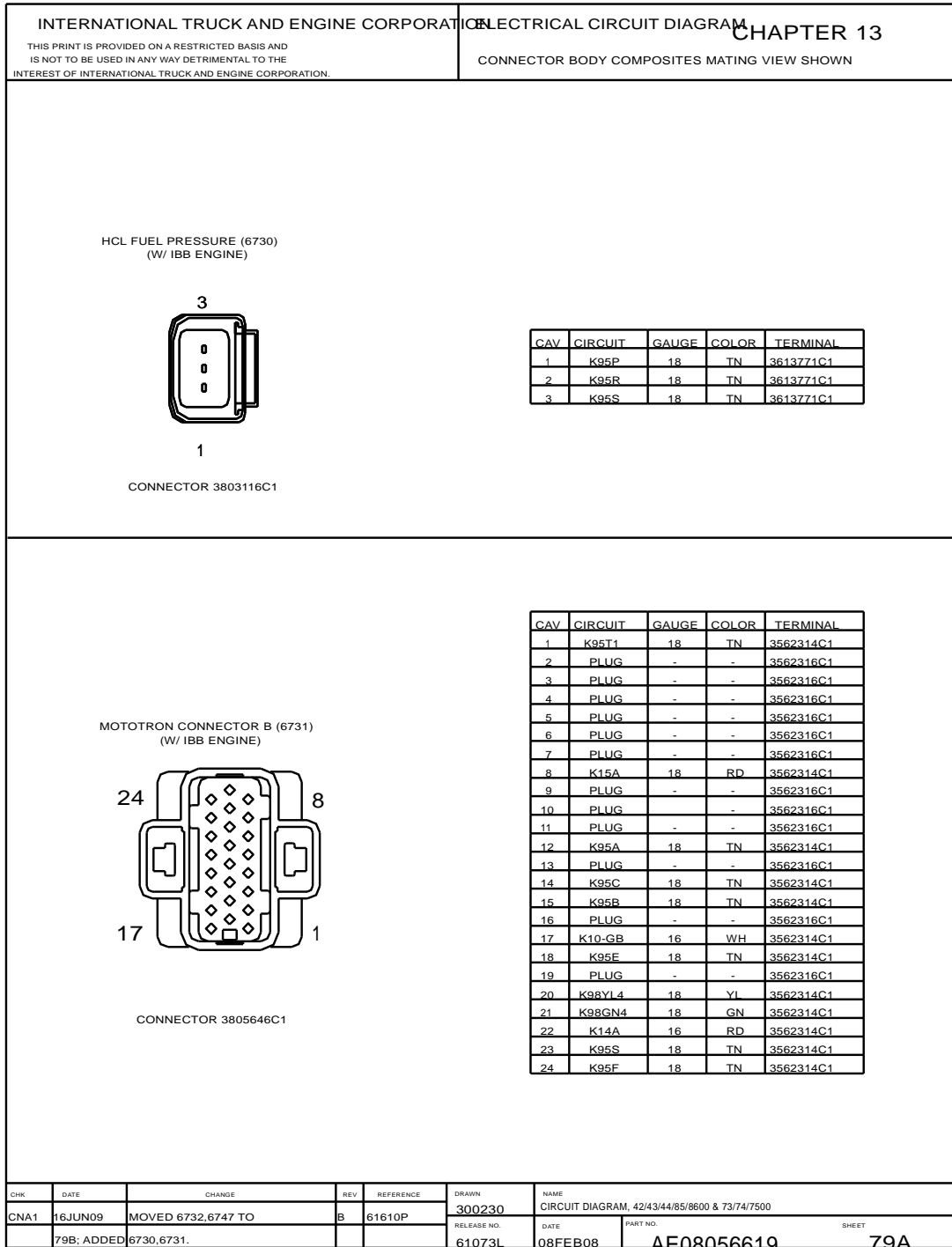


Figure 347 Connector Composites (6730), (6731)

13.94. CONNECTOR COMPOSITES (6732), (6747), P. 79B

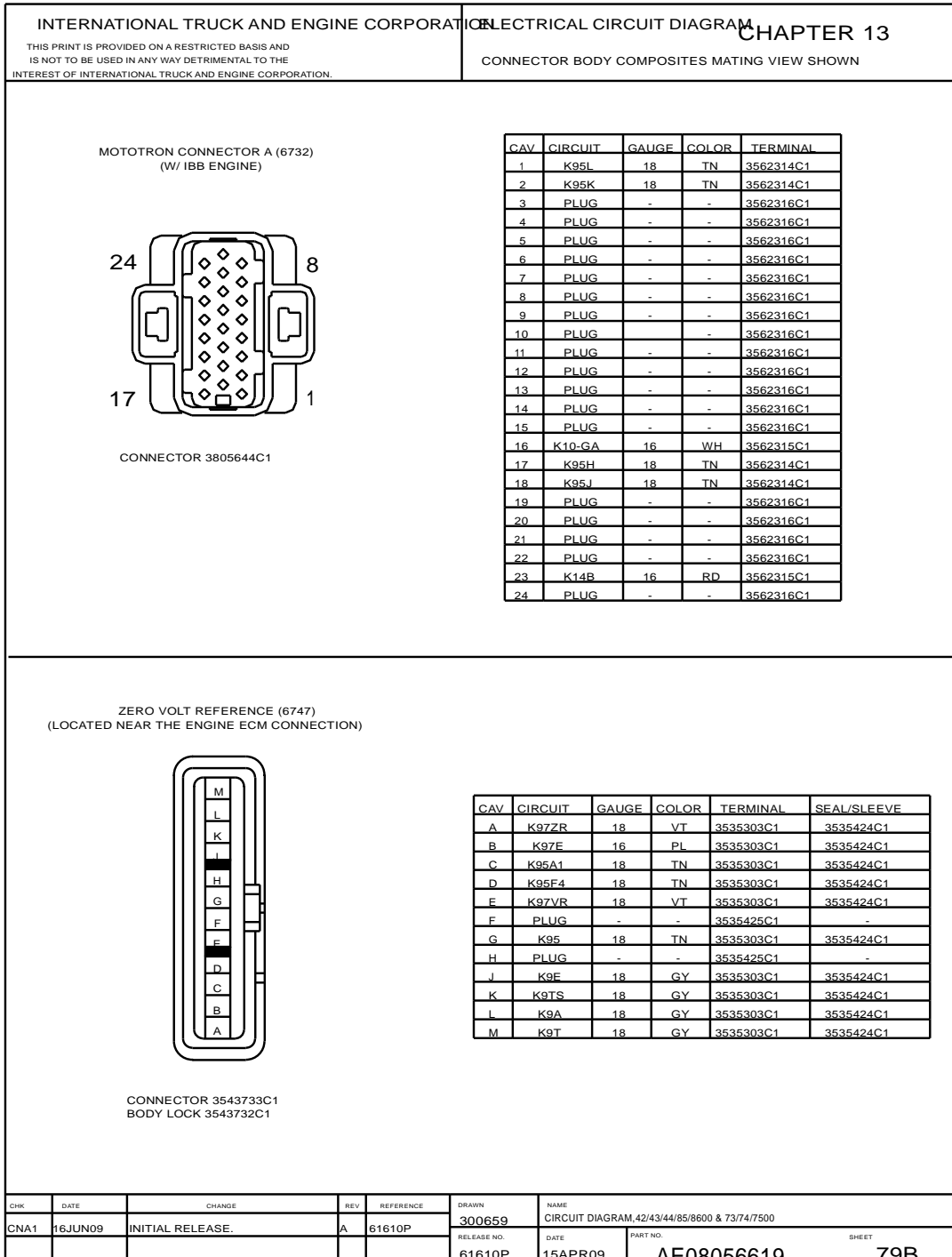


Figure 348 Connector Composites (6732), (6747)



13.95. CONNECTOR COMPOSITES (6900), (6901), (7103), (7103M), (7104), P. 80

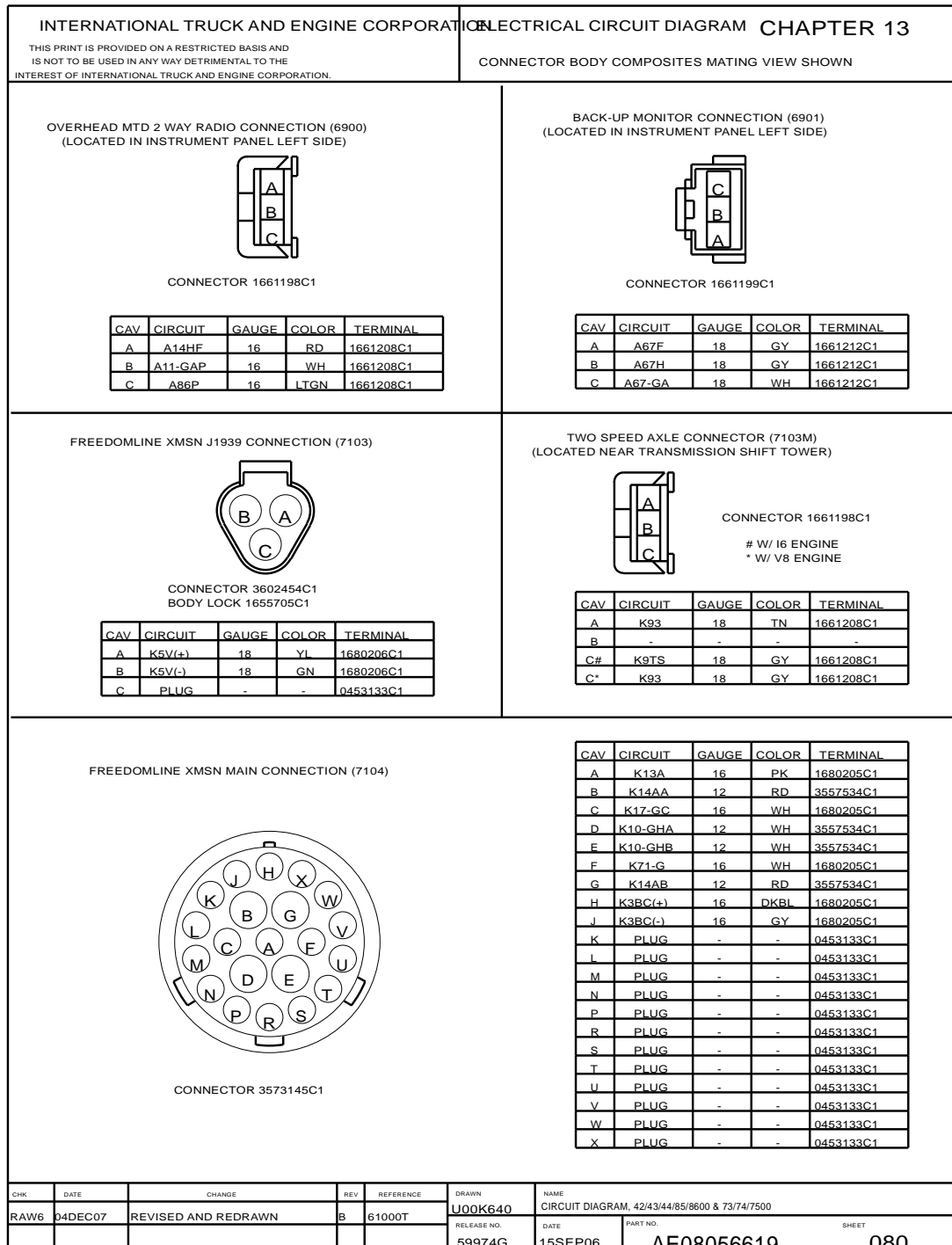


Figure 349 Connector Composites (6900), (6901), (7103), (7103M), (7104)

13.96. CONNECTOR COMPOSITES (7104), (7104 / &7104F), (7105), P. 81

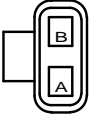
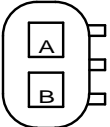
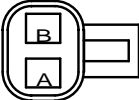
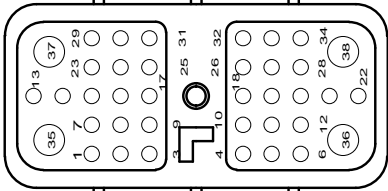
<b>NAVISTAR, INC</b>				<b>ELECTRICAL CIRCUIT DIAGRAM</b>				<b>CHAPTER 13</b>																																																																																																																																																																																																																																																																																																																				
THIS PRINT IS PROVIDED ON A RESTRICTED BASIS AND IS NOT TO BE USED IN ANY WAY DETRIMENTAL TO THE INTEREST OF NAVISTAR, INC.								CONNECTOR BODY COMPOSITES MATING VIEW SHOWN																																																																																																																																																																																																																																																																																																																				
<p>CLEAN BATTERY FEED (7104) FOR I6 &amp; V8 ENGINE</p> <p>CONNECTOR 3512967C1</p> <p>* W/ ALLISON GEN4 1000/2000 XMSN ** W/ XMSN ALLISON MD</p> 								<table border="1" style="width:100%; border-collapse: collapse;"> <thead> <tr> <th>CAV</th> <th>CIRCUIT</th> <th>GAUGE</th> <th>COLOR</th> <th>TERMINAL</th> </tr> </thead> <tbody> <tr> <td>A*</td> <td>K92#110</td> <td>10</td> <td>PK</td> <td>1661708C1</td> </tr> <tr> <td>A**</td> <td>K92D170</td> <td>10</td> <td>PK</td> <td>1661708C1</td> </tr> <tr> <td>B*</td> <td>K92-G</td> <td>10</td> <td>GY</td> <td>1661708C1</td> </tr> <tr> <td>B**</td> <td>K92-G</td> <td>18</td> <td>GY</td> <td>1661708C1</td> </tr> </tbody> </table>				CAV	CIRCUIT	GAUGE	COLOR	TERMINAL	A*	K92#110	10	PK	1661708C1	A**	K92D170	10	PK	1661708C1	B*	K92-G	10	GY	1661708C1	B**	K92-G	18	GY	1661708C1																																																																																																																																																																																																																																																																																								
CAV	CIRCUIT	GAUGE	COLOR	TERMINAL																																																																																																																																																																																																																																																																																																																								
A*	K92#110	10	PK	1661708C1																																																																																																																																																																																																																																																																																																																								
A**	K92D170	10	PK	1661708C1																																																																																																																																																																																																																																																																																																																								
B*	K92-G	10	GY	1661708C1																																																																																																																																																																																																																																																																																																																								
B**	K92-G	18	GY	1661708C1																																																																																																																																																																																																																																																																																																																								
<p>TRANSMISSION CLEAN POWER (7104 / &amp;7104F) FOR XMSN ALLISON MD (WTEC) (LOCATED BY STARTER)</p> <p>CONNECTOR 1671611C1 * W/ CAT ENGINE BODY LOCK 1671608C1 ** W/ ISM 2007 ENGINE &amp; W/ IBB ENGINE</p>  								<table border="1" style="width:100%; border-collapse: collapse;"> <thead> <tr> <th>CAV</th> <th>CIRCUIT</th> <th>GAUGE</th> <th>COLOR</th> <th>TERMINAL</th> <th>SEAL/SLEEVE</th> </tr> </thead> <tbody> <tr> <td>A*&amp;</td> <td>K92A170</td> <td>14</td> <td>RD</td> <td>2033912C1</td> <td>0589391C1</td> </tr> <tr> <td>A**</td> <td>K92A170</td> <td>18</td> <td>TN</td> <td>2033911C1</td> <td>3517771C1</td> </tr> <tr> <td>B*&amp;</td> <td>K92-G</td> <td>14</td> <td>WH</td> <td>2033912C1</td> <td>0589391C1</td> </tr> <tr> <td>B**</td> <td>K92-G</td> <td>14</td> <td>TN</td> <td>2033912C1</td> <td>0589391C1</td> </tr> </tbody> </table>				CAV	CIRCUIT	GAUGE	COLOR	TERMINAL	SEAL/SLEEVE	A*&	K92A170	14	RD	2033912C1	0589391C1	A**	K92A170	18	TN	2033911C1	3517771C1	B*&	K92-G	14	WH	2033912C1	0589391C1	B**	K92-G	14	TN	2033912C1	0589391C1																																																																																																																																																																																																																																																																																			
CAV	CIRCUIT	GAUGE	COLOR	TERMINAL	SEAL/SLEEVE																																																																																																																																																																																																																																																																																																																							
A*&	K92A170	14	RD	2033912C1	0589391C1																																																																																																																																																																																																																																																																																																																							
A**	K92A170	18	TN	2033911C1	3517771C1																																																																																																																																																																																																																																																																																																																							
B*&	K92-G	14	WH	2033912C1	0589391C1																																																																																																																																																																																																																																																																																																																							
B**	K92-G	14	TN	2033912C1	0589391C1																																																																																																																																																																																																																																																																																																																							
<p>EATON GEN 3 TCM CONNECTOR (7105) (LOCATED ON LEFT SIDE OF TRANSMISSION)</p>  <p>CONNECTOR 3599542C1</p> <table border="1" style="width:100%; border-collapse: collapse;"> <thead> <tr> <th>CAV</th> <th>CIRCUIT</th> <th>GAUGE</th> <th>COLOR</th> <th>TERMINAL</th> </tr> </thead> <tbody> <tr><td>1</td><td>PLUG</td><td>-</td><td>-</td><td>3527276C1</td></tr> <tr><td>2@</td><td>K5V(-)</td><td>18</td><td>GN</td><td>3555249C1</td></tr> <tr><td>2!</td><td>K5V(-)</td><td>18</td><td>LTGN</td><td>3555249C1</td></tr> <tr><td>3@</td><td>K5V(+)</td><td>18</td><td>YL</td><td>3555249C1</td></tr> <tr><td>4*@</td><td>K17-GC</td><td>18</td><td>WH</td><td>3555249C1</td></tr> <tr><td>4*</td><td>K17-GC</td><td>18</td><td>PK</td><td>3555249C1</td></tr> <tr><td>5</td><td>PLUG</td><td>-</td><td>-</td><td>3527276C1</td></tr> <tr><td>6</td><td>PLUG</td><td>-</td><td>-</td><td>3527276C1</td></tr> <tr><td>7</td><td>PLUG</td><td>-</td><td>-</td><td>3527276C1</td></tr> <tr><td>8</td><td>PLUG</td><td>-</td><td>-</td><td>3527276C1</td></tr> <tr><td>9</td><td>PLUG</td><td>-</td><td>-</td><td>3527276C1</td></tr> <tr><td>10@</td><td>K3BC(+)</td><td>18</td><td>DKBL</td><td>3555249C1</td></tr> <tr><td>11@</td><td>K3BC(-)</td><td>18</td><td>GY</td><td>3555249C1</td></tr> <tr><td>12</td><td>PLUG</td><td>-</td><td>-</td><td>3527276C1</td></tr> <tr><td>13</td><td>PLUG</td><td>-</td><td>-</td><td>3527276C1</td></tr> <tr><td>14</td><td>PLUG</td><td>-</td><td>-</td><td>3527276C1</td></tr> <tr><td>15</td><td>PLUG</td><td>-</td><td>-</td><td>3527276C1</td></tr> <tr><td>16</td><td>K92A</td><td>18</td><td>TN</td><td>3555249C1</td></tr> <tr><td>17</td><td>K92B</td><td>18</td><td>TN</td><td>3555249C1</td></tr> <tr><td>18</td><td>PLUG</td><td>-</td><td>-</td><td>3527276C1</td></tr> <tr><td>18!</td><td>V92DP</td><td>18</td><td>TN</td><td>3555249C1</td></tr> <tr><td>19</td><td>PLUG</td><td>-</td><td>-</td><td>3527276C1</td></tr> <tr><td>19!</td><td>V92DL</td><td>16</td><td>TN</td><td>3555249C1</td></tr> </tbody> </table>								CAV	CIRCUIT	GAUGE	COLOR	TERMINAL	1	PLUG	-	-	3527276C1	2@	K5V(-)	18	GN	3555249C1	2!	K5V(-)	18	LTGN	3555249C1	3@	K5V(+)	18	YL	3555249C1	4*@	K17-GC	18	WH	3555249C1	4*	K17-GC	18	PK	3555249C1	5	PLUG	-	-	3527276C1	6	PLUG	-	-	3527276C1	7	PLUG	-	-	3527276C1	8	PLUG	-	-	3527276C1	9	PLUG	-	-	3527276C1	10@	K3BC(+)	18	DKBL	3555249C1	11@	K3BC(-)	18	GY	3555249C1	12	PLUG	-	-	3527276C1	13	PLUG	-	-	3527276C1	14	PLUG	-	-	3527276C1	15	PLUG	-	-	3527276C1	16	K92A	18	TN	3555249C1	17	K92B	18	TN	3555249C1	18	PLUG	-	-	3527276C1	18!	V92DP	18	TN	3555249C1	19	PLUG	-	-	3527276C1	19!	V92DL	16	TN	3555249C1	<p>* MUTUALLY EXCLUSIVE @ W/ CAT ENGINE &amp; ISM 2007 ENGINE ! W/ EURO IV ISM ENGINE</p> <table border="1" style="width:100%; border-collapse: collapse;"> <thead> <tr> <th>CAV</th> <th>CIRCUIT</th> <th>GAUGE</th> <th>COLOR</th> <th>TERMINAL</th> </tr> </thead> <tbody> <tr><td>20*</td><td>K92E</td><td>18</td><td>LTBL</td><td>3555249C1</td></tr> <tr><td>20*</td><td>K92E</td><td>16</td><td>TN</td><td>3555249C1</td></tr> <tr><td>20!</td><td>K92E</td><td>18</td><td>TN</td><td>3555249C1</td></tr> <tr><td>21*</td><td>K92F</td><td>18</td><td>LTGN</td><td>3555249C1</td></tr> <tr><td>21*</td><td>K92F</td><td>18</td><td>TN</td><td>3555249C1</td></tr> <tr><td>22*</td><td>K92H</td><td>18</td><td>WH</td><td>3555249C1</td></tr> <tr><td>22*</td><td>K92H</td><td>18</td><td>TN</td><td>3555249C1</td></tr> <tr><td>23</td><td>PLUG</td><td>-</td><td>-</td><td>3527276C1</td></tr> <tr><td>24</td><td>PLUG</td><td>-</td><td>-</td><td>3527276C1</td></tr> <tr><td>25*@</td><td>K92AE</td><td>18</td><td>TN</td><td>3555249C1</td></tr> <tr><td>25*</td><td>K92J</td><td>18</td><td>TN</td><td>3555249C1</td></tr> <tr><td>26*@</td><td>K17C</td><td>18</td><td>PK</td><td>3555249C1</td></tr> <tr><td>26*</td><td>K17C</td><td>16</td><td>PK</td><td>3555249C1</td></tr> <tr><td>27*@</td><td>K92(-)</td><td>18</td><td>GN</td><td>3555249C1</td></tr> <tr><td>27*</td><td>K88GN</td><td>18</td><td>GN</td><td>3555249C1</td></tr> <tr><td>27!</td><td>T92(-)</td><td>18</td><td>LTGN</td><td>3555249C1</td></tr> <tr><td>28*@</td><td>K92(+)</td><td>18</td><td>YL</td><td>3555249C1</td></tr> <tr><td>28*</td><td>K98YL</td><td>18</td><td>YL</td><td>3555249C1</td></tr> <tr><td>28!</td><td>T92(+)</td><td>18</td><td>YL</td><td>3555249C1</td></tr> <tr><td>29</td><td>PLUG</td><td>-</td><td>-</td><td>3527276C1</td></tr> <tr><td>30</td><td>PLUG</td><td>-</td><td>-</td><td>3527276C1</td></tr> <tr><td>31*@</td><td>K92YB</td><td>18</td><td>TN</td><td>3555249C1</td></tr> <tr><td>31*</td><td>K92ER</td><td>18</td><td>TN</td><td>3555249C1</td></tr> <tr><td>32@</td><td>K17B</td><td>18</td><td>PK</td><td>3555249C1</td></tr> <tr><td>33</td><td>PLUG</td><td>-</td><td>-</td><td>3527276C1</td></tr> <tr><td>33!</td><td>V92DM</td><td>16</td><td>TN</td><td>3555249C1</td></tr> <tr><td>34</td><td>PLUG</td><td>-</td><td>-</td><td>3527276C1</td></tr> <tr><td>34!</td><td>V92DR</td><td>18</td><td>WH</td><td>3555249C1</td></tr> <tr><td>35@</td><td>K13A</td><td>14</td><td>PK</td><td>3557534C1</td></tr> <tr><td>35!</td><td>K13A</td><td>14</td><td>PK</td><td>3841699C1</td></tr> <tr><td>36*</td><td>K11-GE</td><td>12</td><td>WH</td><td>3557534C1</td></tr> <tr><td>36*@</td><td>K10-GE</td><td>12</td><td>WH</td><td>3557534C1</td></tr> <tr><td>36!</td><td>V11-GA</td><td>12</td><td>WH</td><td>3841699C1</td></tr> <tr><td>37</td><td>PLUG</td><td>-</td><td>-</td><td>3527276C1</td></tr> <tr><td>38@</td><td>K14A</td><td>12</td><td>RD</td><td>3557534C1</td></tr> <tr><td>38!</td><td>K14A</td><td>12</td><td>RD</td><td>3841699C1</td></tr> </tbody> </table>				CAV	CIRCUIT	GAUGE	COLOR	TERMINAL	20*	K92E	18	LTBL	3555249C1	20*	K92E	16	TN	3555249C1	20!	K92E	18	TN	3555249C1	21*	K92F	18	LTGN	3555249C1	21*	K92F	18	TN	3555249C1	22*	K92H	18	WH	3555249C1	22*	K92H	18	TN	3555249C1	23	PLUG	-	-	3527276C1	24	PLUG	-	-	3527276C1	25*@	K92AE	18	TN	3555249C1	25*	K92J	18	TN	3555249C1	26*@	K17C	18	PK	3555249C1	26*	K17C	16	PK	3555249C1	27*@	K92(-)	18	GN	3555249C1	27*	K88GN	18	GN	3555249C1	27!	T92(-)	18	LTGN	3555249C1	28*@	K92(+)	18	YL	3555249C1	28*	K98YL	18	YL	3555249C1	28!	T92(+)	18	YL	3555249C1	29	PLUG	-	-	3527276C1	30	PLUG	-	-	3527276C1	31*@	K92YB	18	TN	3555249C1	31*	K92ER	18	TN	3555249C1	32@	K17B	18	PK	3555249C1	33	PLUG	-	-	3527276C1	33!	V92DM	16	TN	3555249C1	34	PLUG	-	-	3527276C1	34!	V92DR	18	WH	3555249C1	35@	K13A	14	PK	3557534C1	35!	K13A	14	PK	3841699C1	36*	K11-GE	12	WH	3557534C1	36*@	K10-GE	12	WH	3557534C1	36!	V11-GA	12	WH	3841699C1	37	PLUG	-	-	3527276C1	38@	K14A	12	RD	3557534C1	38!	K14A	12	RD	3841699C1
CAV	CIRCUIT	GAUGE	COLOR	TERMINAL																																																																																																																																																																																																																																																																																																																								
1	PLUG	-	-	3527276C1																																																																																																																																																																																																																																																																																																																								
2@	K5V(-)	18	GN	3555249C1																																																																																																																																																																																																																																																																																																																								
2!	K5V(-)	18	LTGN	3555249C1																																																																																																																																																																																																																																																																																																																								
3@	K5V(+)	18	YL	3555249C1																																																																																																																																																																																																																																																																																																																								
4*@	K17-GC	18	WH	3555249C1																																																																																																																																																																																																																																																																																																																								
4*	K17-GC	18	PK	3555249C1																																																																																																																																																																																																																																																																																																																								
5	PLUG	-	-	3527276C1																																																																																																																																																																																																																																																																																																																								
6	PLUG	-	-	3527276C1																																																																																																																																																																																																																																																																																																																								
7	PLUG	-	-	3527276C1																																																																																																																																																																																																																																																																																																																								
8	PLUG	-	-	3527276C1																																																																																																																																																																																																																																																																																																																								
9	PLUG	-	-	3527276C1																																																																																																																																																																																																																																																																																																																								
10@	K3BC(+)	18	DKBL	3555249C1																																																																																																																																																																																																																																																																																																																								
11@	K3BC(-)	18	GY	3555249C1																																																																																																																																																																																																																																																																																																																								
12	PLUG	-	-	3527276C1																																																																																																																																																																																																																																																																																																																								
13	PLUG	-	-	3527276C1																																																																																																																																																																																																																																																																																																																								
14	PLUG	-	-	3527276C1																																																																																																																																																																																																																																																																																																																								
15	PLUG	-	-	3527276C1																																																																																																																																																																																																																																																																																																																								
16	K92A	18	TN	3555249C1																																																																																																																																																																																																																																																																																																																								
17	K92B	18	TN	3555249C1																																																																																																																																																																																																																																																																																																																								
18	PLUG	-	-	3527276C1																																																																																																																																																																																																																																																																																																																								
18!	V92DP	18	TN	3555249C1																																																																																																																																																																																																																																																																																																																								
19	PLUG	-	-	3527276C1																																																																																																																																																																																																																																																																																																																								
19!	V92DL	16	TN	3555249C1																																																																																																																																																																																																																																																																																																																								
CAV	CIRCUIT	GAUGE	COLOR	TERMINAL																																																																																																																																																																																																																																																																																																																								
20*	K92E	18	LTBL	3555249C1																																																																																																																																																																																																																																																																																																																								
20*	K92E	16	TN	3555249C1																																																																																																																																																																																																																																																																																																																								
20!	K92E	18	TN	3555249C1																																																																																																																																																																																																																																																																																																																								
21*	K92F	18	LTGN	3555249C1																																																																																																																																																																																																																																																																																																																								
21*	K92F	18	TN	3555249C1																																																																																																																																																																																																																																																																																																																								
22*	K92H	18	WH	3555249C1																																																																																																																																																																																																																																																																																																																								
22*	K92H	18	TN	3555249C1																																																																																																																																																																																																																																																																																																																								
23	PLUG	-	-	3527276C1																																																																																																																																																																																																																																																																																																																								
24	PLUG	-	-	3527276C1																																																																																																																																																																																																																																																																																																																								
25*@	K92AE	18	TN	3555249C1																																																																																																																																																																																																																																																																																																																								
25*	K92J	18	TN	3555249C1																																																																																																																																																																																																																																																																																																																								
26*@	K17C	18	PK	3555249C1																																																																																																																																																																																																																																																																																																																								
26*	K17C	16	PK	3555249C1																																																																																																																																																																																																																																																																																																																								
27*@	K92(-)	18	GN	3555249C1																																																																																																																																																																																																																																																																																																																								
27*	K88GN	18	GN	3555249C1																																																																																																																																																																																																																																																																																																																								
27!	T92(-)	18	LTGN	3555249C1																																																																																																																																																																																																																																																																																																																								
28*@	K92(+)	18	YL	3555249C1																																																																																																																																																																																																																																																																																																																								
28*	K98YL	18	YL	3555249C1																																																																																																																																																																																																																																																																																																																								
28!	T92(+)	18	YL	3555249C1																																																																																																																																																																																																																																																																																																																								
29	PLUG	-	-	3527276C1																																																																																																																																																																																																																																																																																																																								
30	PLUG	-	-	3527276C1																																																																																																																																																																																																																																																																																																																								
31*@	K92YB	18	TN	3555249C1																																																																																																																																																																																																																																																																																																																								
31*	K92ER	18	TN	3555249C1																																																																																																																																																																																																																																																																																																																								
32@	K17B	18	PK	3555249C1																																																																																																																																																																																																																																																																																																																								
33	PLUG	-	-	3527276C1																																																																																																																																																																																																																																																																																																																								
33!	V92DM	16	TN	3555249C1																																																																																																																																																																																																																																																																																																																								
34	PLUG	-	-	3527276C1																																																																																																																																																																																																																																																																																																																								
34!	V92DR	18	WH	3555249C1																																																																																																																																																																																																																																																																																																																								
35@	K13A	14	PK	3557534C1																																																																																																																																																																																																																																																																																																																								
35!	K13A	14	PK	3841699C1																																																																																																																																																																																																																																																																																																																								
36*	K11-GE	12	WH	3557534C1																																																																																																																																																																																																																																																																																																																								
36*@	K10-GE	12	WH	3557534C1																																																																																																																																																																																																																																																																																																																								
36!	V11-GA	12	WH	3841699C1																																																																																																																																																																																																																																																																																																																								
37	PLUG	-	-	3527276C1																																																																																																																																																																																																																																																																																																																								
38@	K14A	12	RD	3557534C1																																																																																																																																																																																																																																																																																																																								
38!	K14A	12	RD	3841699C1																																																																																																																																																																																																																																																																																																																								
CHK	DATE	CHANGE	REV	REFERENCE	DRAWN	NAME																																																																																																																																																																																																																																																																																																																						
2480	10JUL14	ADDED W/EURO IV NOTE	F	92477E	U00K640	CIRC DIAG, 42/43/44/73/74/75/76/85/8600, CT-610																																																																																																																																																																																																																																																																																																																						
					RELEASE NO.	DATE	PART NO.	SHEET																																																																																																																																																																																																																																																																																																																				
TO CONNECTOR 7105 FIELD					59974G	15SEP06	AE08056619	081																																																																																																																																																																																																																																																																																																																				

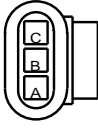
Figure 350 Connector Composites (7104), (7104 / &7104F), (7105)

13.97. CONNECTOR COMPOSITES (7106), (7110 / &&7110A), (7111), P. 82

INTERNATIONAL TRUCK AND ENGINE CORPORATION				ELECTRICAL CIRCUIT DIAGRAM CHAPTER 13			
THIS PRINT IS PROVIDED ON A RESTRICTED BASIS AND IS NOT TO BE USED IN ANY WAY DETRIMENTAL TO THE INTEREST OF INTERNATIONAL TRUCK AND ENGINE CORPORATION.				CONNECTOR BODY COMPOSITES MATING VIEW SHOWN			

TOPS II XMSN  
(7106)




CONNECTOR 1667741C1  
BODY LOCK 1667771C1

CAV	CIRCUIT	GAUGE	COLOR	TERMINAL	SEAL/SLEEVE
A	K92N	16	TN	1661875C1	1661872C1
B	K92-GA	16	WH	1661875C1	1661872C1
C	K92P	16	TN	1661875C1	1661872C1

J1939 RESISTOR (7110 / &&7110A)  
(LOCATED ON LEFT SIDE OF TRANSMISSION)



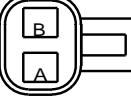
CONNECTOR 1667741C1  
BODY LOCK 1667771C1

CAV	CIRCUIT	GAUGE	COLOR	TERMINAL	SEAL/SLEEVE
A*	K5C+	18	YL	1661875C1	3568570C1
A&	K5C12B	18	YL	1661875C1	3568570C1
A#*	K5TB(+)	18	YL	1661875C1	3568570C1
A#%*	K5TB(+)	18	YL	1661875C1	3568570C1
B	PLUG	-	-	2025431C1	-
C*	K5C-	18	GN	1661875C1	3568570C1
C&	K5C10B	18	GN	1661875C1	3568570C1
C#*	K5TB(-)	18	GN	1661875C1	3568570C1
C#%*	K5TB(-)	18	GN	1661875C1	3568570C1

&& ONLY FOR IBB ENGINE  
\* W/ MANUAL XMSN  
# W/ AUTOSHIFT, ULTRASHIFT XMSN  
\*\* W/ ZFM FREEDOMLINE XMSN  
& W/ ALLISON GEN4 XMSN  
% W/ MERITOR G XMSN & W/ IBB ENGINE

MERITOR G POWER (7111)  
(LOCATED ON LEFT SIDE OF TRANSMISSION)



CONNECTOR 1671610C1  
BODY LOCK 1671608C1

CAV	CIRCUIT	GAUGE	COLOR	TERMINAL	SEAL/SLEEVE
A	K13A	16	PK	2033819C1	1652325C1
B*	K11-GX	16	WH	2033819C1	1652325C1
B*	K10-GX	16	WH	2033819C1	1652325C1

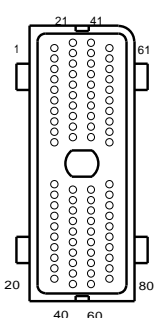
\* MUTUALLY EXCLUSIVE

CHK	DATE	CHANGE	REV.	REFERENCE	DRAWN	NAME
CNA1	20FEB09	ADDED CONN 7106	D	50367B	U00K640	CIRCUIT DIAGRAM, 42/43/44/85/8600 & 73/74/7500
					RELEASE NO.	DATE
					59974G	15SEP06
					PART NO.	SHEET
					AE08056619	082

Figure 351 Connector Composites (7106), (7110 / &&7110A), (7111)

13.98. CONNECTOR COMPOSITES (7150), (7152), P. 83

INTERNATIONAL TRUCK AND ENGINE CORPORATION					ELECTRICAL CIRCUIT DIAGRAM CHAPTER 13					
THIS PRINT IS PROVIDED ON A RESTRICTED BASIS AND IS NOT TO BE USED IN ANY WAY DETRIMENTAL TO THE INTEREST OF INTERNATIONAL TRUCK AND ENGINE CORPORATION.					CONNECTOR BODY COMPOSITES MATING VIEW SHOWN					
CAV	CIRCUIT	GAUGE	COLOR	TERMINAL	CAV	CIRCUIT	GAUGE	COLOR	TERMINAL	<p>TRANSMISSION MODULE (7150) (LOCATED AT TRANSMISSION TCM CONNECTION)</p> <p>TRANSMISSION MODULE IN CAB (7152) (LOCATED IN CAB)</p>  <p>CONNECTOR 3605713C1 BODY LOCK 3606525C1</p> <p># MUTUALLY EXCLUSIVE @ @ W/ HEAVY DUTY @ W/ MEDIUM DUTY ## W/ WTEC * W/ GEN 4 ** W/ AUTO NTRL % W/ V8 ENGINE %% W/ I6 &amp; V8</p>
1	K92#101	18	LTBL	3606047C1	41	K92A141	18	WH	3606047C1	
1%	K101 C	18	VT	3606047C1	41**	K92A141	18	TN	3606047C1	
2	-	-	-	-	41	K92#141	18	TN	3606047C1	
3	K92#103	18	YL	3606047C1	41%	K141	18	VT	3606047C1	
4	-	-	-	-	42**	K92#142	18	TN	3606047C1	
5	K92#105	18	OR	3606047C1	42*	K92#142	18	WH	3606047C1	
6	-	-	-	-	43	K92#143	18	LTBL	3606047C1	
7	-	-	-	-	44	-	-	-	-	
8	K5A108	18	GN	3606047C1	45	K92#145	18	OR	3606047C1	
8%	K5C- D	18	VT	3606047C1	45**	K92#145	18	TN	3606047C1	
9#	K92C109	18	GY	3606047C1	46	-	-	-	-	
9	K92#109	18	GY	3606047C1	47	-	-	-	-	
10##	K92B110	18	PK	3606047C1	48	-	-	-	-	
10	K92#110	18	PK	3606047C1	49	-	-	-	-	
11	K92#111	18	OR	3606047C1	50	-	-	-	-	
12*	K92A112	18	PK	3606047C1	51	K92#151	18	WH	3606047C1	
12	K92A112	18	PK	3606047C1	52	K92#152	18	LTGN	3606047C1	
13	-	-	-	-	53	-	-	-	-	
14	-	-	-	-	54 @	K31#154	18	TN	3606047C1	
15	K92#115	18	WH	3606047C1	54	K92#154	18	TN	3606047C1	
16	K92#116	18	LTBL	3606047C1	55 @	K92#155	18	WH	3606047C1	
17** #	K92A117	18	TN	3606047C1	55	K92#155	18	TN	3606047C1	
17** #	K92#117	18	TN	3606047C1	56	K92#156	18	PK	3606047C1	
17	K92#117	18	LTBL	3606047C1	57	K92#157	18	WH	3606047C1	
18	-	-	-	-	58#	K92A158	18	LTGN	3606047C1	
19	K92#119	18	LTBL	3606047C1	58#	K92#158	18	LTGN	3606047C1	
20 @	K92C120	18	LTBL	3606047C1	58%#	K92D158	18	LTGN	3606047C1	
20 @	K92A120	18	LTBL	3606047C1	59	K48#159	18	TN	3606047C1	
20#	K92#120	18	DKBL	3606047C1	60	K47#160	18	YL	3606047C1	
20	K92#120	18	LTBL	3606047C1	61*	K92#161	18	OR	3606047C1	
21	-	-	-	-	61	K92#161	18	TN	3606047C1	
22	K92#122	18	YL	3606047C1	62	K92#162	18	YL	3606047C1	
23	K92#123	18	LTGN	3606047C1	63##	K92#163	18	YL	3606047C1	
24*	K92#124	18	WH	3606047C1	63	K92#163	18	TN	3606047C1	
24	K92#124	18	TN	3606047C1	64	K92#164	18	LTBL	3606047C1	
25##	K47A125	18	TN	3606047C1	65	K92#165	18	TN	3606047C1	
25	K92#125	18	TN	3606047C1	66	-	-	-	-	
25%	K125 A	18	VT	3606047C1	67	-	-	-	-	
26	-	-	-	-	68	-	-	-	-	
27	-	-	-	-	69##	K92B169	18	GY	3606047C1	
28	K5A128	18	YL	3606047C1	69	K92#169	18	TN	3606047C1	
28%	K5C+ D	18	VT	3606047C1	70#	K92#170	18	PK	3606047C1	
29	-	-	-	-	70	K92#170	18	TN	3606047C1	
30	K92#130	18	WH	3606047C1	71 @	K92#171	18	YL	3606047C1	
31	K92A131	18	YL	3606047C1	71	K92#171	18	TN	3606047C1	
31##	K92#131	18	YL	3606047C1	72	-	-	-	-	
32	-	-	-	-	73	-	-	-	-	
33	K92#133	18	YL	3606047C1	74 @	K92#174	18	LTBL	3606047C1	
34##	K92#134	18	TN	3606047C1	74	K92#174	18	TN	3606047C1	
34	K92#134	18	GY	3606047C1	75	K92#175	18	OR	3606047C1	
35	-	-	-	-	76	K92#176	18	YL	3606047C1	
36	K92#136	18	OR	3606047C1	77#	K92#177	18	LTGN	3606047C1	
37 @	K92#137	18	WH	3606047C1	77#	K92#177	18	TN	3606047C1	
37	K92#137	18	TN	3606047C1	78	-	-	-	-	
38	-	-	-	-	79	-	-	-	-	
39	K48#139	18	OR	3606047C1	80#	K92#180	18	OR	3606047C1	
40	K47#140	18	LTGN	3606047C1	80#	K92#180	18	TN	3606047C1	
					80#	K92A180	18	OR	3606047C1	

CHK	DATE	CHANGE	REV	REFERENCE	DRAWN	NAME
		CIRC K92A112 PK WAS	B	50367B	U00K640	CIRCUIT DIAGRAM, 42/43/44/85/8600 & 73/74/7500
	K92#112 TN				RELEASE NO.	DATE
					59974G	15SEP06
					PART NO.	SHEET
					AE08056619	083

Figure 352 Connector Composites (7150), (7152)

13.99. CONNECTOR COMPOSITES (7150), (7150F / 7150F2), (7150 / 7151), P. 84

INTERNATIONAL TRUCK AND ENGINE CORPORATION				ELECTRICAL CIRCUIT DIAGRAM CHAPTER 13			
THIS PRINT IS PROVIDED ON A RESTRICTED BASIS AND IS NOT TO BE USED IN ANY WAY DETRIMENTAL TO THE INTEREST OF INTERNATIONAL TRUCK AND ENGINE CORPORATION.				CONNECTOR BODY COMPOSITES MATING VIEW SHOWN			
ISM TCU CONNECTOR (7150F / 7150F2(IN CAB)) CAT TCU CONNECTOR (7150 / 7151(IN CAB)) IBB TCU CONNECTOR (7150) (LOCATED AT TRANSMISSION TCM CONNECTION)				CONNECTOR 3605713C1 BODY LOCK 3606525C1			
# W/ ISM IN CAB & W/ CAT ENGINE @ W/ ISM & N/ IN CAB % W/ IBB ENGINE * MUTUALLY EXCLUSIVE							

CAV	CIRCUIT	GAUGE	COLOR	TERMINAL
38	-	-	-	-
39	K48#139	18	OR	3606047C1
40	K47#140	18	LTGN	3606047C1
41	K92#141	18	TN	3606047C1
42*	K92#142	18	WH	3606047C1
42#	K92#142	18	TN	3606047C1
43	K92#143	18	LTBL	3606047C1
44	-	-	-	-
45	K92#145	18	OR	3606047C1
46	-	-	-	-
47	-	-	-	-
48	-	-	-	-
49	-	-	-	-
50	-	-	-	-
51	K92#151	18	WH	3606047C1
52	K92#152	18	LTGN	3606047C1
53	-	-	-	-
54	K92#154	18	TN	3606047C1
55*	K92#155	18	TN	3606047C1
55#	K92#155	18	WH	3606047C1
56*#	K92#155	18	PK	3606047C1
56*	K92#156	18	TN	3606047C1
57	K92#157	18	WH	3606047C1
58*	K92#158	18	LTGN	3606047C1
58*	K92A158	18	LTGN	3606047C1
59	K48#159	18	TN	3606047C1
60	K47#160	18	YL	3606047C1
61*	K92#161	18	TN	3606047C1
61#	K92#161	18	OR	3606047C1
62	K92#162	18	YL	3606047C1
63*	K92#163	18	TN	3606047C1
63#	K92#163	18	YL	3606047C1
64	K92#164	18	LTBL	3606047C1
65	K92#165	18	TN	3606047C1
66	-	-	-	-
67	-	-	-	-
68	-	-	-	-
69*	K92#169	18	TN	3606047C1
69#	K92#169	18	GY	3606047C1
70*	K92#170	18	TN	3606047C1
70#	K92#170	18	PK	3606047C1
71*	K92#171	18	TN	3606047C1
71#	K92#171	18	YL	3606047C1
72	-	-	-	-
73	-	-	-	-
74*	K92#174	18	TN	3606047C1
74#	K92#174	18	LTBL	3606047C1
75	K92#175	18	OR	3606047C1
76	K92#176	18	YL	3606047C1
77	K92#177	18	LTGN	3606047C1
78	-	-	-	-
79	-	-	-	-
80*	K92#180	18	OR	3606047C1
80#	K92#180	18	TN	3606047C1

CHK	DATE	CHANGE	REV	REFERENCE	DRAWN	NAME
CNA1	16JUN09	ADDED CIRC K92#122	E	61610P	U00K640	CIRCUIT DIAGRAM, 42/43/44/85/8600 & 73/74/7500
		AND K92#123 AT CAV 22 AND 23.			RELEASE NO. 59974G	DATE 15SEP06 PART NO. AE08056619 SHEET 084

Figure 353 Connector Composites (7150), (7150F / 7150F2), (7150 / 7151)

13.100. CONNECTOR COMPOSITES (7151), P. 85

INTERNATIONAL TRUCK AND ENGINE CORPORATION				ELECTRICAL CIRCUIT DIAGRAM CHAPTER 13			
THIS PRINT IS PROVIDED ON A RESTRICTED BASIS AND IS NOT TO BE USED IN ANY WAY DETRIMENTAL TO THE INTEREST OF INTERNATIONAL TRUCK AND ENGINE CORPORATION.				CONNECTOR BODY COMPOSITES MATING VIEW SHOWN			

CONNECTOR 3605713C1  
BODY LOCK 3606525C1

CONTROL MODULE (7151)  
(LOCATED AT TRANSMISSION TCM CONNECTION)

CAV	CIRCUIT	GAUGE	COLOR	TERMINAL
1	K92#101	18	LTBL	3606047C1
2	-	-	-	-
3	K92#103	18	YL	3606047C1
4	-	-	-	-
5	K92#105	18	TN	3606047C1
6	-	-	-	-
7	-	-	-	-
8	K5A108	18	GN	3606047C1
9	K92#109	18	GY	3606047C1
10	K92#110	18	PK	3606047C1
11	K92#111	18	OR	3606047C1
12	K92#112	18	TN	3606347C1
13	-	-	-	-
14	-	-	-	-
15	K92#115	18	WH	3606047C1
16	K92#116	18	LTBL	3606047C1
17	K92#117	18	TN	3606047C1
18	-	-	-	-
19	K92#119	18	LTBL	3606047C1
20%	K92#120	18	DKBL	3606047C1
20%	K92#120	18	LTBL	3606047C1
21	-	-	-	-
22	-	-	-	-
23	-	-	-	-
24	K92#124	18	TN	3606047C1
25	K92#125	18	TN	3606047C1
26	-	-	-	-
27	-	-	-	-
28	K5A128	18	YL	3606047C1
29	-	-	-	-
30	K92#130	18	WH	3606047C1
31	K92#131	18	YL	3606047C1
32	-	-	-	-
33	K92#133	18	YL	3606047C1
34	K92#134	18	GY	3606047C1
35	-	-	-	-
36	K92#136	18	OR	3606047C1
37	K92#137	18	TN	3606047C1
38	-	-	-	-
39	K48#139	18	OR	3606047C1

CAV	CIRCUIT	GAUGE	COLOR	TERMINAL
40	K47#140	18	LTGN	3606047C1
41	K92#141	18	TN	3606047C1
42	K92#142	18	WH	3606047C1
43	K92#143	18	LTBL	3606047C1
44	-	-	-	-
45	K92#145	18	OR	3606047C1
46	-	-	-	-
47	-	-	-	-
48	-	-	-	-
49	-	-	-	-
50	-	-	-	-
51	K92#151	18	WH	3606047C1
52	K92#152	18	LTGN	3606047C1
53	-	-	-	-
54	K31#154	18	TN	3606047C1
55	K92#155	18	TN	3606047C1
56	K92#156	18	TN	3606047C1
57	K92#157	18	WH	3606047C1
58	K92#158	18	LTGN	3606047C1
59	K48#159	18	TN	3606047C1
60	K47#160	18	YL	3606047C1
61	K92#161	18	TN	3606047C1
62	K92#162	18	YL	3606047C1
63	K92#163	18	TN	3606047C1
64	K92#164	18	LTBL	3606047C1
65	K92#165	18	TN	3606047C1
66	-	-	-	-
67	-	-	-	-
68	-	-	-	-
69	K92#169	18	TN	3606047C1
70	K92#170	18	TN	3606047C1
71	K92#171	18	TN	3606047C1
72	-	-	-	-
73	-	-	-	-
74	K92#174	18	TN	3606047C1
75	K92#175	18	OR	3606047C1
76	K92#176	18	YL	3606047C1
77	K92#177	18	LTGN	3606047C1
78	-	-	-	-
79	-	-	-	-
80%	K92#180	18	OR	3606047C1
80%	K92#180	18	TN	3606047C1

% MUTUALLY EXCLUSIVE

CHK	DATE	CHANGE	REV	REFERENCE	DRAWN	NAME
RAW6	04DEC07	REVISED AND REDRAWN	B	61000T	U00K640	CIRCUIT DIAGRAM, 42/43/44/85/8600 & 73/74/7500
					RELEASE NO.	DATE
					59974G	15SEP06
						PART NO.
						AE08056619
						SHEET
						085

Figure 354 Connector Composites (7151)

13.101. CONNECTOR COMPOSITES (7205M / @7205), (7205M), (7206F / @7206), (7206F), P. 86

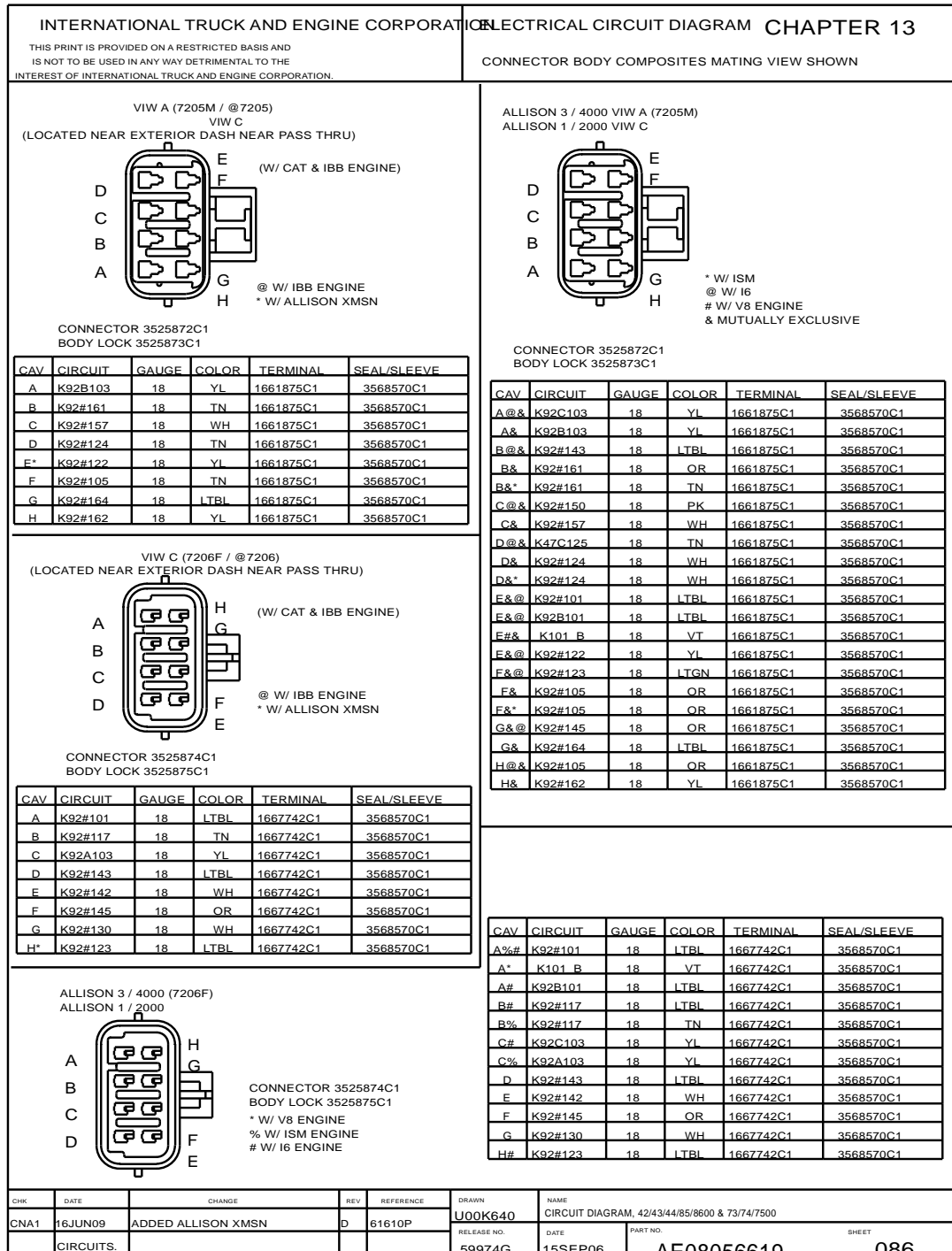


Figure 355 Connector Composites (7205M / @7205), (7205M), (7206F / @7206), (7206F)

13.102. CONNECTOR COMPOSITES (7211), (7212), (7213), P. 87

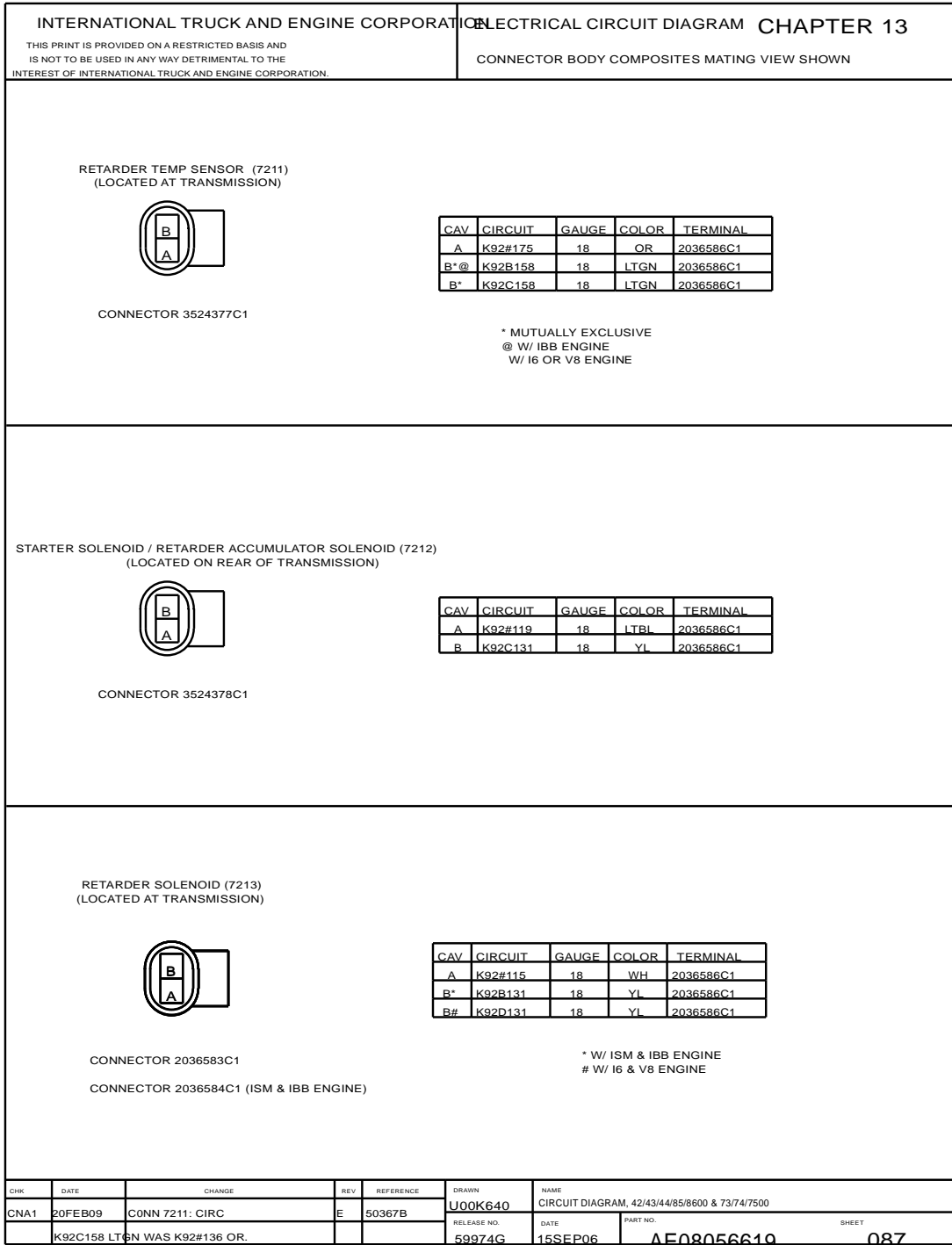


Figure 356 Connector Composites (7211), (7212), (7213)



13.103. CONNECTOR COMPOSITES (7250), (7251), (7350), P. 88

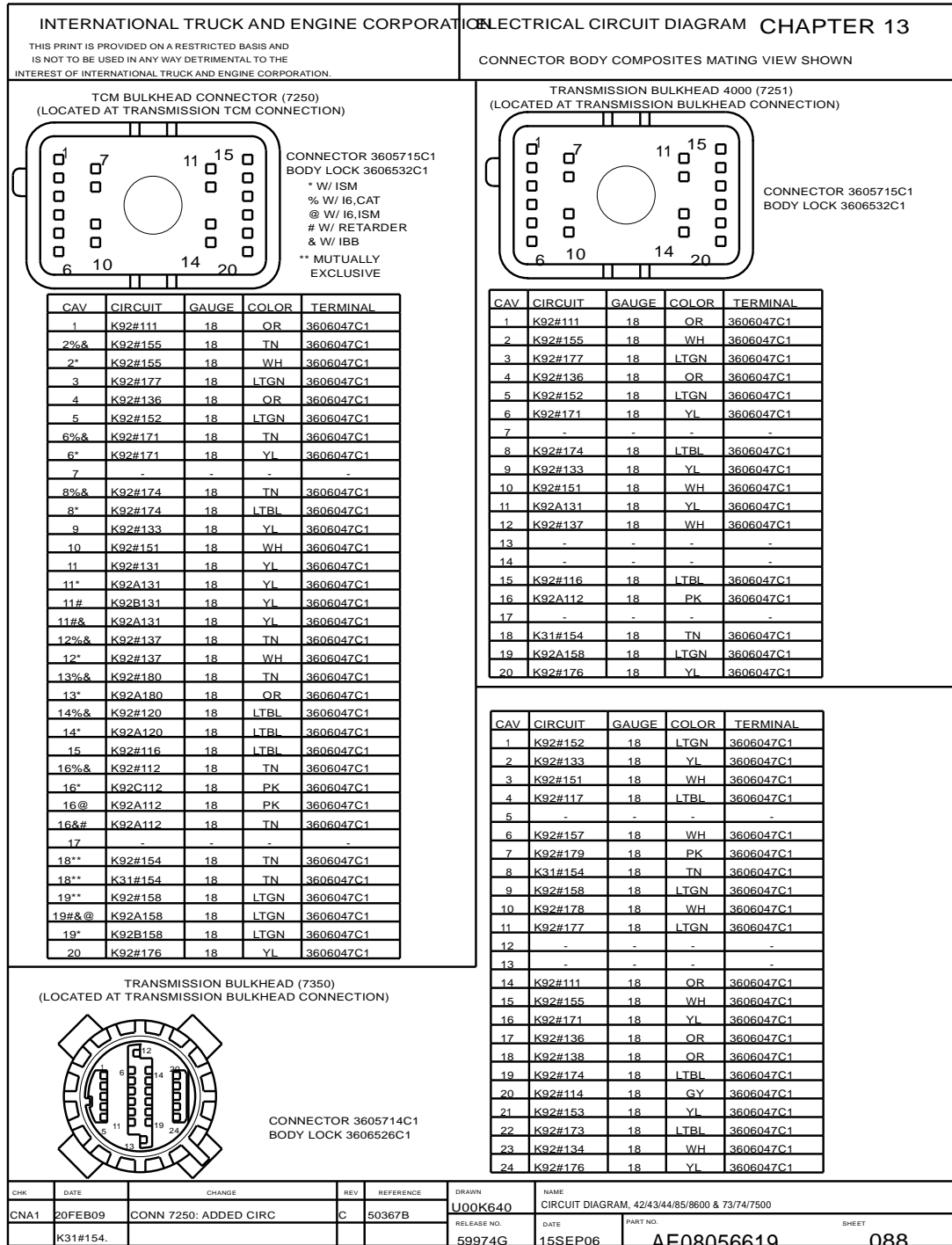


Figure 357 Connector Composites (7250), (7251), (7350)

13.104. CONNECTOR COMPOSITES (7500), (7500W), (7502M / &7500A), (7501), (7600), (7600 / &7600A), (7601), (7601M), P. 89

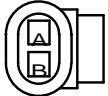
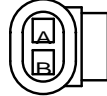

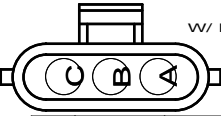
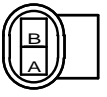
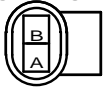
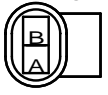
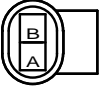
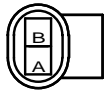
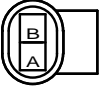
<b>NAVISTAR, INC</b>				<b>ELECTRICAL CIRCUIT DIAGRAM</b>				<b>CHAPTER 13</b>																																																																																							
THIS PRINT IS PROVIDED ON A RESTRICTED BASIS AND IS NOT TO BE USED IN ANY WAY DETRIMENTAL TO THE INTEREST OF NAVISTAR, INC.				CONNECTOR BODY COMPOSITES MATING VIEW SHOWN																																																																																											
<b>MERITOR G BACK-UP LIGHT (7500)</b> (LOCATED ON TOP REAR OF TRANSMISSION)						<b>BACK-UP LIGHT (7502M / &amp;7500A)</b> (LOCATED ON TOP REAR OF TRANSMISSION)																																																																																									
																																																																																															
# W/ V8 ENGINE @ W/ CAT ENGINE * W/ ISM 2007 ENGINE						* W/ IBB ENGINE & W/ ISM 2007 ENGINE																																																																																									
CONNECTOR 1661778C1 BODY LOCK 1661874C1						CONNECTOR 1661778C1 BODY LOCK 1661874C1																																																																																									
<table border="1" style="width:100%; border-collapse: collapse;"> <thead> <tr> <th>CAV</th> <th>CIRCUIT</th> <th>GAUGE</th> <th>COLOR</th> <th>TERMINAL</th> <th>SEAL/SLEEVE</th> </tr> </thead> <tbody> <tr><td>A@</td><td>K71A</td><td>16</td><td>OR</td><td>1661875C1</td><td>1661872C1</td></tr> <tr><td>A*</td><td>K71B</td><td>16</td><td>OR</td><td>1661875C1</td><td>1661872C1</td></tr> <tr><td>A#</td><td>K71C</td><td>16</td><td>VT</td><td>1661875C1</td><td>1661872C1</td></tr> <tr><td>A</td><td>K71</td><td>16</td><td>OR</td><td>1661875C1</td><td>1661872C1</td></tr> <tr><td>B@</td><td>K71B</td><td>16</td><td>OR</td><td>1661875C1</td><td>1661872C1</td></tr> <tr><td>B*</td><td>K71C</td><td>16</td><td>OR</td><td>1661875C1</td><td>1661872C1</td></tr> <tr><td>B#</td><td>K71D</td><td>16</td><td>VT</td><td>1661875C1</td><td>1661872C1</td></tr> <tr><td>B</td><td>K71A</td><td>16</td><td>OR</td><td>1661875C1</td><td>1661872C1</td></tr> </tbody> </table>						CAV	CIRCUIT	GAUGE	COLOR	TERMINAL	SEAL/SLEEVE	A@	K71A	16	OR	1661875C1	1661872C1	A*	K71B	16	OR	1661875C1	1661872C1	A#	K71C	16	VT	1661875C1	1661872C1	A	K71	16	OR	1661875C1	1661872C1	B@	K71B	16	OR	1661875C1	1661872C1	B*	K71C	16	OR	1661875C1	1661872C1	B#	K71D	16	VT	1661875C1	1661872C1	B	K71A	16	OR	1661875C1	1661872C1	<table border="1" style="width:100%; border-collapse: collapse;"> <thead> <tr> <th>CAV</th> <th>CIRCUIT</th> <th>GAUGE</th> <th>COLOR</th> <th>TERMINAL</th> <th>SEAL/SLEEVE</th> </tr> </thead> <tbody> <tr><td>A</td><td>K71</td><td>18</td><td>OR</td><td>1661875C1</td><td>1661872C1</td></tr> <tr><td>A*</td><td>K71A</td><td>16</td><td>OR</td><td>1661875C1</td><td>1661872C1</td></tr> <tr><td>B</td><td>K71A</td><td>16</td><td>OR</td><td>1661875C1</td><td>1661872C1</td></tr> <tr><td>B*</td><td>K71B</td><td>16</td><td>OR</td><td>1661875C1</td><td>1661872C1</td></tr> </tbody> </table>						CAV	CIRCUIT	GAUGE	COLOR	TERMINAL	SEAL/SLEEVE	A	K71	18	OR	1661875C1	1661872C1	A*	K71A	16	OR	1661875C1	1661872C1	B	K71A	16	OR	1661875C1	1661872C1	B*	K71B	16	OR	1661875C1	1661872C1
CAV	CIRCUIT	GAUGE	COLOR	TERMINAL	SEAL/SLEEVE																																																																																										
A@	K71A	16	OR	1661875C1	1661872C1																																																																																										
A*	K71B	16	OR	1661875C1	1661872C1																																																																																										
A#	K71C	16	VT	1661875C1	1661872C1																																																																																										
A	K71	16	OR	1661875C1	1661872C1																																																																																										
B@	K71B	16	OR	1661875C1	1661872C1																																																																																										
B*	K71C	16	OR	1661875C1	1661872C1																																																																																										
B#	K71D	16	VT	1661875C1	1661872C1																																																																																										
B	K71A	16	OR	1661875C1	1661872C1																																																																																										
CAV	CIRCUIT	GAUGE	COLOR	TERMINAL	SEAL/SLEEVE																																																																																										
A	K71	18	OR	1661875C1	1661872C1																																																																																										
A*	K71A	16	OR	1661875C1	1661872C1																																																																																										
B	K71A	16	OR	1661875C1	1661872C1																																																																																										
B*	K71B	16	OR	1661875C1	1661872C1																																																																																										
<b>REVERSE LIGHT (7500W)</b> LOCATED ON TOP REAR OF XMSN						<b>ECA (7501)</b> LOCATED BELOW XMSN (ULTRASHIFT ONLY) W/ EURO IV ISM ENGINE																																																																																									
																																																																																															
! W/ EURO IV ISM ENGINE W/ ISM 2007 ENGINE						CONNECTOR 1667733C1 BODY LOCK 1667734C1																																																																																									
CONNECTOR 1661778C1 BODY LOCK 1661874C1						CONNECTOR 1667733C1 BODY LOCK 1667734C1																																																																																									
<table border="1" style="width:100%; border-collapse: collapse;"> <thead> <tr> <th>CAV</th> <th>CIRCUIT</th> <th>GAUGE</th> <th>COLOR</th> <th>TERMINAL</th> <th>SEAL/SLEEVE</th> </tr> </thead> <tbody> <tr><td>A</td><td>K71A</td><td>16</td><td>OR</td><td>1661875C1</td><td>1661872C1</td></tr> <tr><td>A1</td><td>K71B</td><td>16</td><td>OR</td><td>1661875C1</td><td>1661872C1</td></tr> <tr><td>B</td><td>K71B</td><td>16</td><td>OR</td><td>1661875C1</td><td>1661872C1</td></tr> <tr><td>B1</td><td>K71C</td><td>16</td><td>OR</td><td>1661875C1</td><td>1661872C1</td></tr> </tbody> </table>						CAV	CIRCUIT	GAUGE	COLOR	TERMINAL	SEAL/SLEEVE	A	K71A	16	OR	1661875C1	1661872C1	A1	K71B	16	OR	1661875C1	1661872C1	B	K71B	16	OR	1661875C1	1661872C1	B1	K71C	16	OR	1661875C1	1661872C1	<table border="1" style="width:100%; border-collapse: collapse;"> <thead> <tr> <th>CAV</th> <th>CIRCUIT</th> <th>GAUGE</th> <th>COLOR</th> <th>TERMINAL</th> <th>SEAL/SLEEVE</th> </tr> </thead> <tbody> <tr><td>A</td><td>PLUG</td><td>-</td><td>-</td><td>-</td><td>-</td></tr> <tr><td>B</td><td>V11-GB</td><td>10</td><td>WH</td><td>1667737C1</td><td></td></tr> <tr><td>C</td><td>V14K</td><td>10</td><td>RD</td><td>1667737C1</td><td></td></tr> </tbody> </table>						CAV	CIRCUIT	GAUGE	COLOR	TERMINAL	SEAL/SLEEVE	A	PLUG	-	-	-	-	B	V11-GB	10	WH	1667737C1		C	V14K	10	RD	1667737C1																															
CAV	CIRCUIT	GAUGE	COLOR	TERMINAL	SEAL/SLEEVE																																																																																										
A	K71A	16	OR	1661875C1	1661872C1																																																																																										
A1	K71B	16	OR	1661875C1	1661872C1																																																																																										
B	K71B	16	OR	1661875C1	1661872C1																																																																																										
B1	K71C	16	OR	1661875C1	1661872C1																																																																																										
CAV	CIRCUIT	GAUGE	COLOR	TERMINAL	SEAL/SLEEVE																																																																																										
A	PLUG	-	-	-	-																																																																																										
B	V11-GB	10	WH	1667737C1																																																																																											
C	V14K	10	RD	1667737C1																																																																																											
<b>SPEED SENSOR (7600 / &amp;7600A)</b> (LOCATED ON REAR OF TRANSMISSION)						<b>VEHICLE SPEED SENSOR (7600)</b>																																																																																									
																																																																																															
* W/ IBB ENGINE & W/ CAT ENGINE						* W/ MANUAL XMSN. W/ ODOMETER SHUT OFF RELAY																																																																																									
CONNECTOR 2036583C1						CONNECTOR 3662425C1 BODY LOCK 3662518C1																																																																																									
<table border="1" style="width:100%; border-collapse: collapse;"> <thead> <tr> <th>CAV</th> <th>CIRCUIT</th> <th>GAUGE</th> <th>COLOR</th> <th>TERMINAL</th> <th>SEAL/SLEEVE</th> </tr> </thead> <tbody> <tr><td>A</td><td>K47</td><td>16</td><td>GY</td><td>2036586C1</td><td></td></tr> <tr><td>B</td><td>K47A</td><td>16</td><td>GY</td><td>2036586C1</td><td></td></tr> </tbody> </table>						CAV	CIRCUIT	GAUGE	COLOR	TERMINAL	SEAL/SLEEVE	A	K47	16	GY	2036586C1		B	K47A	16	GY	2036586C1		<table border="1" style="width:100%; border-collapse: collapse;"> <thead> <tr> <th>CAV</th> <th>CIRCUIT</th> <th>GAUGE</th> <th>COLOR</th> <th>TERMINAL</th> <th>SEAL/SLEEVE</th> </tr> </thead> <tbody> <tr><td>A</td><td>K47</td><td>18</td><td>GY</td><td>3554322C1</td><td>3554318C1</td></tr> <tr><td>A*</td><td>K47D1</td><td>18</td><td>GY</td><td>3554322C1</td><td>3554318C1</td></tr> <tr><td>B</td><td>K47A</td><td>18</td><td>GY</td><td>3554322C1</td><td>3554318C1</td></tr> <tr><td>B*</td><td>K47E1</td><td>18</td><td>GY</td><td>3554322C1</td><td>3554318C1</td></tr> </tbody> </table>						CAV	CIRCUIT	GAUGE	COLOR	TERMINAL	SEAL/SLEEVE	A	K47	18	GY	3554322C1	3554318C1	A*	K47D1	18	GY	3554322C1	3554318C1	B	K47A	18	GY	3554322C1	3554318C1	B*	K47E1	18	GY	3554322C1	3554318C1																																				
CAV	CIRCUIT	GAUGE	COLOR	TERMINAL	SEAL/SLEEVE																																																																																										
A	K47	16	GY	2036586C1																																																																																											
B	K47A	16	GY	2036586C1																																																																																											
CAV	CIRCUIT	GAUGE	COLOR	TERMINAL	SEAL/SLEEVE																																																																																										
A	K47	18	GY	3554322C1	3554318C1																																																																																										
A*	K47D1	18	GY	3554322C1	3554318C1																																																																																										
B	K47A	18	GY	3554322C1	3554318C1																																																																																										
B*	K47E1	18	GY	3554322C1	3554318C1																																																																																										
<b>OUTPUT SPEED SENSOR (7600)</b> (LOCATED ON REAR OF TRANSMISSION)						<b>SPEED SENSOR (7601M)</b> (LOCATED ON REAR OF TRANSMISSION)																																																																																									
																																																																																															
CONNECTOR 3594124C91						CONNECTOR 2036583C1																																																																																									
<table border="1" style="width:100%; border-collapse: collapse;"> <thead> <tr> <th>CAV</th> <th>CIRCUIT</th> <th>GAUGE</th> <th>COLOR</th> <th>TERMINAL</th> <th>SEAL/SLEEVE</th> </tr> </thead> <tbody> <tr><td>A</td><td>K47#160</td><td>18</td><td>YL</td><td>3554322C1</td><td>3554318C1</td></tr> <tr><td>B</td><td>K47#140</td><td>18</td><td>LTGN</td><td>3554322C1</td><td>3554318C1</td></tr> </tbody> </table>						CAV	CIRCUIT	GAUGE	COLOR	TERMINAL	SEAL/SLEEVE	A	K47#160	18	YL	3554322C1	3554318C1	B	K47#140	18	LTGN	3554322C1	3554318C1	<table border="1" style="width:100%; border-collapse: collapse;"> <thead> <tr> <th>CAV</th> <th>CIRCUIT</th> <th>GAUGE</th> <th>COLOR</th> <th>TERMINAL</th> <th>SEAL/SLEEVE</th> </tr> </thead> <tbody> <tr><td>A</td><td>K47</td><td>18</td><td>GY</td><td>2036586C1</td><td></td></tr> <tr><td>B</td><td>K47A</td><td>18</td><td>GY</td><td>2036586C1</td><td></td></tr> </tbody> </table>						CAV	CIRCUIT	GAUGE	COLOR	TERMINAL	SEAL/SLEEVE	A	K47	18	GY	2036586C1		B	K47A	18	GY	2036586C1																																																	
CAV	CIRCUIT	GAUGE	COLOR	TERMINAL	SEAL/SLEEVE																																																																																										
A	K47#160	18	YL	3554322C1	3554318C1																																																																																										
B	K47#140	18	LTGN	3554322C1	3554318C1																																																																																										
CAV	CIRCUIT	GAUGE	COLOR	TERMINAL	SEAL/SLEEVE																																																																																										
A	K47	18	GY	2036586C1																																																																																											
B	K47A	18	GY	2036586C1																																																																																											
<b>MERITOR G SPEED SENSOR (7601)</b> (LOCATED ON REAR OF TRANSMISSION)						<b>SPEED SENSOR (7601M)</b> (LOCATED ON REAR OF TRANSMISSION)																																																																																									
																																																																																															
CONNECTOR 2036583C1						CONNECTOR 2036583C1																																																																																									
<table border="1" style="width:100%; border-collapse: collapse;"> <thead> <tr> <th>CAV</th> <th>CIRCUIT</th> <th>GAUGE</th> <th>COLOR</th> <th>TERMINAL</th> <th>SEAL/SLEEVE</th> </tr> </thead> <tbody> <tr><td>A</td><td>K47</td><td>18</td><td>GY</td><td>2036586C1</td><td></td></tr> <tr><td>B</td><td>K47A</td><td>18</td><td>GY</td><td>2036586C1</td><td></td></tr> </tbody> </table>						CAV	CIRCUIT	GAUGE	COLOR	TERMINAL	SEAL/SLEEVE	A	K47	18	GY	2036586C1		B	K47A	18	GY	2036586C1		<table border="1" style="width:100%; border-collapse: collapse;"> <thead> <tr> <th>CAV</th> <th>CIRCUIT</th> <th>GAUGE</th> <th>COLOR</th> <th>TERMINAL</th> <th>SEAL/SLEEVE</th> </tr> </thead> <tbody> <tr><td>A</td><td>K47</td><td>18</td><td>GY</td><td>2036586C1</td><td></td></tr> <tr><td>B</td><td>K47A</td><td>18</td><td>GY</td><td>2036586C1</td><td></td></tr> </tbody> </table>						CAV	CIRCUIT	GAUGE	COLOR	TERMINAL	SEAL/SLEEVE	A	K47	18	GY	2036586C1		B	K47A	18	GY	2036586C1																																																	
CAV	CIRCUIT	GAUGE	COLOR	TERMINAL	SEAL/SLEEVE																																																																																										
A	K47	18	GY	2036586C1																																																																																											
B	K47A	18	GY	2036586C1																																																																																											
CAV	CIRCUIT	GAUGE	COLOR	TERMINAL	SEAL/SLEEVE																																																																																										
A	K47	18	GY	2036586C1																																																																																											
B	K47A	18	GY	2036586C1																																																																																											
CHK	DATE	CHANGE	REV	REFERENCE	DRAWN	NAME																																																																																									
2480	10JUL14	ADDED W/EURO IV NOTE	F	92477E	U00K640	CIRC DIAG, 42/43/44/73/74/75/76/85/8600, CT-610																																																																																									
					RELEASE NO.	DATE	PART NO.		SHEET																																																																																						
TO CONN					7500W & ADDED CONN 7501	59974G	15SEP06	AE08056619		089																																																																																					

Figure 358 Connector Composites (7500), (7500W), (7502M / &7500A), (7501), (7600), (7600 / &7600A), (7601), (7601M)

13.105. CONNECTOR COMPOSITES (7602), (7603), (7604), (7605), (7607), (7608), (7609), (7611), P. 90

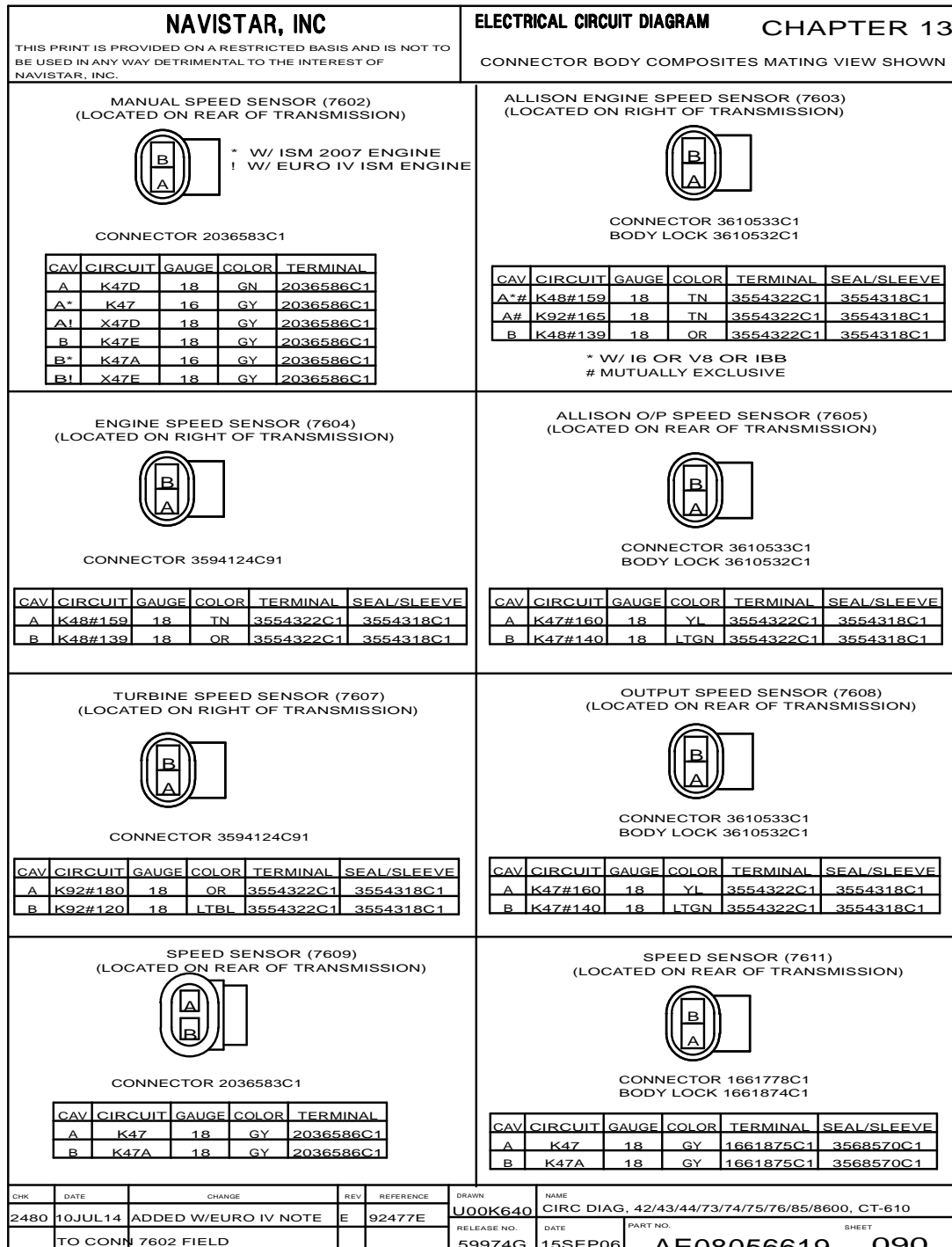


Figure 359 Connector Composites (7602), (7603), (7604), (7605), (7607), (7608), (7609), (7611)

13.106. CONNECTOR COMPOSITES (7615), (7616), (7617), (7700), (7700 / @7700K), P. 91

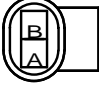
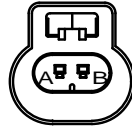
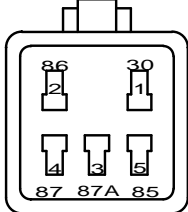


<b>NAVISTAR, INC</b>				<b>ELECTRICAL CIRCUIT DIAGRAM</b>		<b>CHAPTER 13</b>																																																																																											
THIS PRINT IS PROVIDED ON A RESTRICTED BASIS AND IS NOT TO BE USED IN ANY WAY DETRIMENTAL TO THE INTEREST OF NAVISTAR, INC.				CONNECTOR BODY COMPOSITES MATING VIEW SHOWN																																																																																													
<p>ALLISON TURBINE SPEED SENSOR (7615) (LOCATED ON RIGHT OF TRANSMISSION)</p>  <p>CONNECTOR 3610533C1 BODY LOCK 3610532C1</p> <table border="1" style="width:100%; border-collapse: collapse; font-size: x-small;"> <thead> <tr><th>CAV</th><th>CIRCUIT</th><th>GAUGE</th><th>COLOR</th><th>TERMINAL</th><th>SEAL/SLEEVE</th></tr> </thead> <tbody> <tr><td>A* &amp;</td><td>K92#180</td><td>18</td><td>OR</td><td>3554322C1</td><td>3554318C1</td></tr> <tr><td>B#</td><td>K92C120</td><td>18</td><td>LTBL</td><td>3554322C1</td><td>3554318C1</td></tr> <tr><td>B@</td><td>K92#120</td><td>18</td><td>LTBL</td><td>3554322C1</td><td>3554318C1</td></tr> <tr><td>B# &amp;</td><td>K92#120</td><td>18</td><td>DKBL</td><td>3554322C1</td><td>3554318C1</td></tr> </tbody> </table> <p style="font-size: x-small;">* W/ I6, V8 &amp; ISM ENGINE # W/ I6 &amp; V8 ENGINE @ W/ ISM 2007 ENGINE &amp; W/ IBB ENGINE</p>				CAV	CIRCUIT	GAUGE	COLOR	TERMINAL	SEAL/SLEEVE	A* &	K92#180	18	OR	3554322C1	3554318C1	B#	K92C120	18	LTBL	3554322C1	3554318C1	B@	K92#120	18	LTBL	3554322C1	3554318C1	B# &	K92#120	18	DKBL	3554322C1	3554318C1	<p>ODOMETER SHUT-OFF RESISTOR (7616) (LOCATED ON TRANSMISSION HARNESS) (W/ IBB ENGINE)</p>  <p>CONNECTOR 3683465C1 BODY LOCK 3683466C1</p> <table border="1" style="width:100%; border-collapse: collapse; font-size: x-small;"> <thead> <tr><th>CAV</th><th>CIRCUIT</th><th>GAUGE</th><th>COLOR</th><th>TERMINAL</th><th>SEAL/SLEEVE</th></tr> </thead> <tbody> <tr><td>A</td><td>K47D2</td><td>18</td><td>GY</td><td>3683464C1</td><td>3535424C1</td></tr> <tr><td>B</td><td>K47E2</td><td>18</td><td>GY</td><td>3683464C1</td><td>3535424C1</td></tr> </tbody> </table>				CAV	CIRCUIT	GAUGE	COLOR	TERMINAL	SEAL/SLEEVE	A	K47D2	18	GY	3683464C1	3535424C1	B	K47E2	18	GY	3683464C1	3535424C1																																										
CAV	CIRCUIT	GAUGE	COLOR	TERMINAL	SEAL/SLEEVE																																																																																												
A* &	K92#180	18	OR	3554322C1	3554318C1																																																																																												
B#	K92C120	18	LTBL	3554322C1	3554318C1																																																																																												
B@	K92#120	18	LTBL	3554322C1	3554318C1																																																																																												
B# &	K92#120	18	DKBL	3554322C1	3554318C1																																																																																												
CAV	CIRCUIT	GAUGE	COLOR	TERMINAL	SEAL/SLEEVE																																																																																												
A	K47D2	18	GY	3683464C1	3535424C1																																																																																												
B	K47E2	18	GY	3683464C1	3535424C1																																																																																												
<p>ODOMETER SHUT OFF RELAY (7617) (LOCATED ON LEFT SIDE OF TRANSMISSION) (W/ IBB ENGINE)</p>  <p>CONNECTOR 3512331C91</p> <table border="1" style="width:100%; border-collapse: collapse; font-size: x-small;"> <thead> <tr><th>CAV</th><th>CIR</th><th>GAUGE</th><th>COLOR</th><th>TERMINAL</th><th>SEAL/SLEEVE</th></tr> </thead> <tbody> <tr><td>1</td><td>K47D</td><td>18</td><td>GY</td><td>2039343C1</td><td>3517771C1</td></tr> <tr><td>1</td><td>K47TC</td><td>18</td><td>GY</td><td>2039343C1</td><td>3517771C1</td></tr> <tr><td>3</td><td>K47D1</td><td>18</td><td>GY</td><td>2039343C1</td><td>3517771C1</td></tr> <tr><td>4</td><td>K47D2</td><td>18</td><td>GY</td><td>2039343C1</td><td>3517771C1</td></tr> <tr><td>5</td><td>K97FC</td><td>18</td><td>GY</td><td>2039343C1</td><td>3517771C1</td></tr> </tbody> </table>				CAV	CIR	GAUGE	COLOR	TERMINAL	SEAL/SLEEVE	1	K47D	18	GY	2039343C1	3517771C1	1	K47TC	18	GY	2039343C1	3517771C1	3	K47D1	18	GY	2039343C1	3517771C1	4	K47D2	18	GY	2039343C1	3517771C1	5	K97FC	18	GY	2039343C1	3517771C1	<p>XMSN OIL TEMP SENSOR (7700 / @7700K) (LOCATED ON UNDERSIDE OF TRANSMISSION)</p>  <p>CONNECTOR 3536864C1</p> <p style="font-size: x-small;">* W/ I6 ENGINE # W/ CAT ENGINE @ W/ IBB ENGINE &amp; MUTUALLY EXCLUSIVE % W/ ISM 2007 ENGINE ! W/ EURO IV ISM ENGINE</p> <table border="1" style="width:100%; border-collapse: collapse; font-size: x-small;"> <thead> <tr><th>CAV</th><th>CIRCUIT</th><th>GAUGE</th><th>COLOR</th><th>TERMINAL</th><th>SEAL/SLEEVE</th></tr> </thead> <tbody> <tr><td>1*%!</td><td>K31B</td><td>18</td><td>TN</td><td>3536865C1</td><td>3536868C1</td></tr> <tr><td>1@#</td><td>K31</td><td>18</td><td>TN</td><td>3561584C1</td><td>3536868C1</td></tr> <tr><td>2</td><td>K9AC</td><td>18</td><td>TN</td><td>3561584C1</td><td>3536868C1</td></tr> <tr><td>2#%</td><td>K9AC</td><td>18</td><td>GY</td><td>3536865C1</td><td>3536868C1</td></tr> <tr><td>2* &amp;</td><td>K9T</td><td>18</td><td>GY</td><td>3536865C1</td><td>3536868C1</td></tr> <tr><td>2@&amp;#</td><td>K9AA</td><td>16</td><td>GY</td><td>3561584C1</td><td>3536868C1</td></tr> <tr><td>2@&amp;</td><td>K9AAD</td><td>18</td><td>GY</td><td>3561584C1</td><td>3536868C1</td></tr> <tr><td>2%! </td><td>T9AC</td><td>18</td><td>TN</td><td>3536865C1</td><td>3536868C1</td></tr> </tbody> </table>				CAV	CIRCUIT	GAUGE	COLOR	TERMINAL	SEAL/SLEEVE	1*%!	K31B	18	TN	3536865C1	3536868C1	1@#	K31	18	TN	3561584C1	3536868C1	2	K9AC	18	TN	3561584C1	3536868C1	2#%	K9AC	18	GY	3536865C1	3536868C1	2* &	K9T	18	GY	3536865C1	3536868C1	2@&#	K9AA	16	GY	3561584C1	3536868C1	2@&	K9AAD	18	GY	3561584C1	3536868C1	2%!	T9AC	18	TN	3536865C1	3536868C1
CAV	CIR	GAUGE	COLOR	TERMINAL	SEAL/SLEEVE																																																																																												
1	K47D	18	GY	2039343C1	3517771C1																																																																																												
1	K47TC	18	GY	2039343C1	3517771C1																																																																																												
3	K47D1	18	GY	2039343C1	3517771C1																																																																																												
4	K47D2	18	GY	2039343C1	3517771C1																																																																																												
5	K97FC	18	GY	2039343C1	3517771C1																																																																																												
CAV	CIRCUIT	GAUGE	COLOR	TERMINAL	SEAL/SLEEVE																																																																																												
1*%!	K31B	18	TN	3536865C1	3536868C1																																																																																												
1@#	K31	18	TN	3561584C1	3536868C1																																																																																												
2	K9AC	18	TN	3561584C1	3536868C1																																																																																												
2#%	K9AC	18	GY	3536865C1	3536868C1																																																																																												
2* &	K9T	18	GY	3536865C1	3536868C1																																																																																												
2@&#	K9AA	16	GY	3561584C1	3536868C1																																																																																												
2@&	K9AAD	18	GY	3561584C1	3536868C1																																																																																												
2%!	T9AC	18	TN	3536865C1	3536868C1																																																																																												
<p>XMSN OIL TEMP SENSOR (7700) (LOCATED ON UNDERSIDE OF TRANSMISSION)</p>  <p>CONNECTOR 3536864C1</p> <table border="1" style="width:100%; border-collapse: collapse; font-size: x-small;"> <thead> <tr><th>CAV</th><th>CIRCUIT</th><th>GAUGE</th><th>COLOR</th><th>TERMINAL</th><th>SEAL/SLEEVE</th></tr> </thead> <tbody> <tr><td>1*</td><td>K31B</td><td>18</td><td>TN</td><td>3561584C1</td><td>3536868C1</td></tr> <tr><td>1*</td><td>K31E</td><td>18</td><td>TN</td><td>3561584C1</td><td>3536868C1</td></tr> <tr><td>1*</td><td>K31</td><td>18</td><td>TN</td><td>3561584C1</td><td>3536868C1</td></tr> <tr><td>1*</td><td>K31H</td><td>18</td><td>TN</td><td>3536865C1</td><td>3536868C1</td></tr> <tr><td>2*</td><td>K9AB</td><td>18</td><td>TN</td><td>3561584C1</td><td>3536868C1</td></tr> <tr><td>2*</td><td>K9AB</td><td>18</td><td>GY</td><td>3561584C1</td><td>3536868C1</td></tr> <tr><td>2*</td><td>K9AC</td><td>18</td><td>GY</td><td>3561584C1</td><td>3536868C1</td></tr> <tr><td>2*</td><td>K9AA</td><td>16</td><td>GY</td><td>3561584C1</td><td>3536868C1</td></tr> <tr><td>2*</td><td>K9AC</td><td>18</td><td>TN</td><td>3561584C1</td><td>3536868C1</td></tr> <tr><td>2*</td><td>K9AC</td><td>18</td><td>GY</td><td>3561584C1</td><td>3536868C1</td></tr> <tr><td>2*</td><td>K9AAD</td><td>18</td><td>GY</td><td>3536865C1</td><td>3536868C1</td></tr> <tr><td>2*</td><td>K9T</td><td>18</td><td>GY</td><td>3536865C1</td><td>3536868C1</td></tr> </tbody> </table> <p style="text-align: center; font-size: x-small;">* MUTUALLY EXCLUSIVE</p>				CAV	CIRCUIT	GAUGE	COLOR	TERMINAL	SEAL/SLEEVE	1*	K31B	18	TN	3561584C1	3536868C1	1*	K31E	18	TN	3561584C1	3536868C1	1*	K31	18	TN	3561584C1	3536868C1	1*	K31H	18	TN	3536865C1	3536868C1	2*	K9AB	18	TN	3561584C1	3536868C1	2*	K9AB	18	GY	3561584C1	3536868C1	2*	K9AC	18	GY	3561584C1	3536868C1	2*	K9AA	16	GY	3561584C1	3536868C1	2*	K9AC	18	TN	3561584C1	3536868C1	2*	K9AC	18	GY	3561584C1	3536868C1	2*	K9AAD	18	GY	3536865C1	3536868C1	2*	K9T	18	GY	3536865C1	3536868C1																
CAV	CIRCUIT	GAUGE	COLOR	TERMINAL	SEAL/SLEEVE																																																																																												
1*	K31B	18	TN	3561584C1	3536868C1																																																																																												
1*	K31E	18	TN	3561584C1	3536868C1																																																																																												
1*	K31	18	TN	3561584C1	3536868C1																																																																																												
1*	K31H	18	TN	3536865C1	3536868C1																																																																																												
2*	K9AB	18	TN	3561584C1	3536868C1																																																																																												
2*	K9AB	18	GY	3561584C1	3536868C1																																																																																												
2*	K9AC	18	GY	3561584C1	3536868C1																																																																																												
2*	K9AA	16	GY	3561584C1	3536868C1																																																																																												
2*	K9AC	18	TN	3561584C1	3536868C1																																																																																												
2*	K9AC	18	GY	3561584C1	3536868C1																																																																																												
2*	K9AAD	18	GY	3536865C1	3536868C1																																																																																												
2*	K9T	18	GY	3536865C1	3536868C1																																																																																												
CHK	DATE	CHANGE	REV	REFERENCE	DRAWN	NAME																																																																																											
2480	10JUL14	ADDED W/EURO IV NOTE	H	92477E	U00K640	CIRC DIAG, 42/43/44/73/74/75/76/85/8600, CT-610																																																																																											
TO CONN				7700K FIELD	RELEASE NO.	DATE	PART NO.																																																																																										
				59974G	15SEP06	AE08056619	SHEET 091																																																																																										

Figure 360 Connector Composites (7615), (7616), (7617), (7700), (7700 / @7700K)

13.107. CONNECTOR COMPOSITES (7702), (7703), (7801F), P. 91A



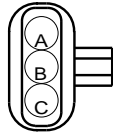
<p>INTERNATIONAL TRUCK AND ENGINE CORPORATION</p> <p><small>THIS PRINT IS PROVIDED ON A RESTRICTED BASIS AND IS NOT TO BE USED IN ANY WAY DETRIMENTAL TO THE INTEREST OF INTERNATIONAL TRUCK AND ENGINE CORPORATION.</small></p>	<p>ELECTRICAL CIRCUIT DIAGRAM CHAPTER 13</p> <p>CONNECTOR BODY COMPOSITES MATING VIEW SHOWN</p>																								
<p>XMSN OIL TEMP SENSOR (7702) (LOCATED ON UNDERSIDE OF TRANSMISSION)</p>  <p>CONNECTOR 3536864C1</p> <table border="1" style="margin-left: auto; margin-right: auto;"> <thead> <tr> <th>CAV</th> <th>CIRCUIT</th> <th>GAUGE</th> <th>COLOR</th> <th>TERMINAL</th> <th>SEAL/SLEEVE</th> </tr> </thead> <tbody> <tr> <td>1</td> <td>K31F</td> <td>18</td> <td>TN</td> <td>3536865C1</td> <td>3536868C1</td> </tr> <tr> <td>2</td> <td>K9T</td> <td>18</td> <td>GY</td> <td>3536865C1</td> <td>3536868C1</td> </tr> <tr> <td>2*</td> <td>K31G</td> <td>18</td> <td>VT</td> <td>3536865C1</td> <td>3536868C1</td> </tr> </tbody> </table> <p>* W/ V8 ENGINE</p>		CAV	CIRCUIT	GAUGE	COLOR	TERMINAL	SEAL/SLEEVE	1	K31F	18	TN	3536865C1	3536868C1	2	K9T	18	GY	3536865C1	3536868C1	2*	K31G	18	VT	3536865C1	3536868C1
CAV	CIRCUIT	GAUGE	COLOR	TERMINAL	SEAL/SLEEVE																				
1	K31F	18	TN	3536865C1	3536868C1																				
2	K9T	18	GY	3536865C1	3536868C1																				
2*	K31G	18	VT	3536865C1	3536868C1																				
<p>XMSN OIL TEMP SENSOR (7703) (LOCATED ON UNDERSIDE OF TRANSMISSION)</p>  <p>CONNECTOR 3536864C1</p> <table border="1" style="margin-left: auto; margin-right: auto;"> <thead> <tr> <th>CAV</th> <th>CIRCUIT</th> <th>GAUGE</th> <th>COLOR</th> <th>TERMINAL</th> <th>SEAL/SLEEVE</th> </tr> </thead> <tbody> <tr> <td>1</td> <td>K31E</td> <td>16</td> <td>TN</td> <td>3536865C1</td> <td>3536868C1</td> </tr> <tr> <td>2</td> <td>K9T</td> <td>18</td> <td>GY</td> <td>3536865C1</td> <td>3536868C1</td> </tr> </tbody> </table>		CAV	CIRCUIT	GAUGE	COLOR	TERMINAL	SEAL/SLEEVE	1	K31E	16	TN	3536865C1	3536868C1	2	K9T	18	GY	3536865C1	3536868C1						
CAV	CIRCUIT	GAUGE	COLOR	TERMINAL	SEAL/SLEEVE																				
1	K31E	16	TN	3536865C1	3536868C1																				
2	K9T	18	GY	3536865C1	3536868C1																				
<p>TERMINATING RESISTOR (7801F) (LOCATED NEAR THE ENGINE ECM CONNECTION)</p>  <p>CONNECTOR 1667740C1 BODY LOCK 1667771C1</p> <table border="1" style="margin-left: auto; margin-right: auto;"> <thead> <tr> <th>CAV</th> <th>CIRCUIT</th> <th>GAUGE</th> <th>COLOR</th> <th>TERMINAL</th> <th>SEAL/SLEEVE</th> </tr> </thead> <tbody> <tr> <td>A</td> <td>K5E(+)</td> <td>18</td> <td>YL</td> <td>1667742C1</td> <td>3568570C1</td> </tr> <tr> <td>B</td> <td>PLUG</td> <td>-</td> <td>-</td> <td>2025431C1</td> <td>-</td> </tr> <tr> <td>C</td> <td>K5E(-)</td> <td>18</td> <td>GN</td> <td>1667742C1</td> <td>3568570C1</td> </tr> </tbody> </table>		CAV	CIRCUIT	GAUGE	COLOR	TERMINAL	SEAL/SLEEVE	A	K5E(+)	18	YL	1667742C1	3568570C1	B	PLUG	-	-	2025431C1	-	C	K5E(-)	18	GN	1667742C1	3568570C1
CAV	CIRCUIT	GAUGE	COLOR	TERMINAL	SEAL/SLEEVE																				
A	K5E(+)	18	YL	1667742C1	3568570C1																				
B	PLUG	-	-	2025431C1	-																				
C	K5E(-)	18	GN	1667742C1	3568570C1																				
CHK	DATE	CHANGE	REV	REFERENCE	DRAWN	NAME																			
CNA1	16JUN09	INITIAL RELEASE.	A	61610P	300659	CIRCUIT DIAGRAM,42/43/44/85/8600 & 73/74/7500																			
					RELEASE NO.	DATE																			
					61610P	14APR09																			
						PART NO.																			
						AE08056619																			
						SHEET																			
						91A																			

Figure 361 Connector Composites (7702), (7703), (7801F)

13.108. CONNECTOR COMPOSITES (7801M), (7802), (7803), (7804), (7900), (7901), P. 92

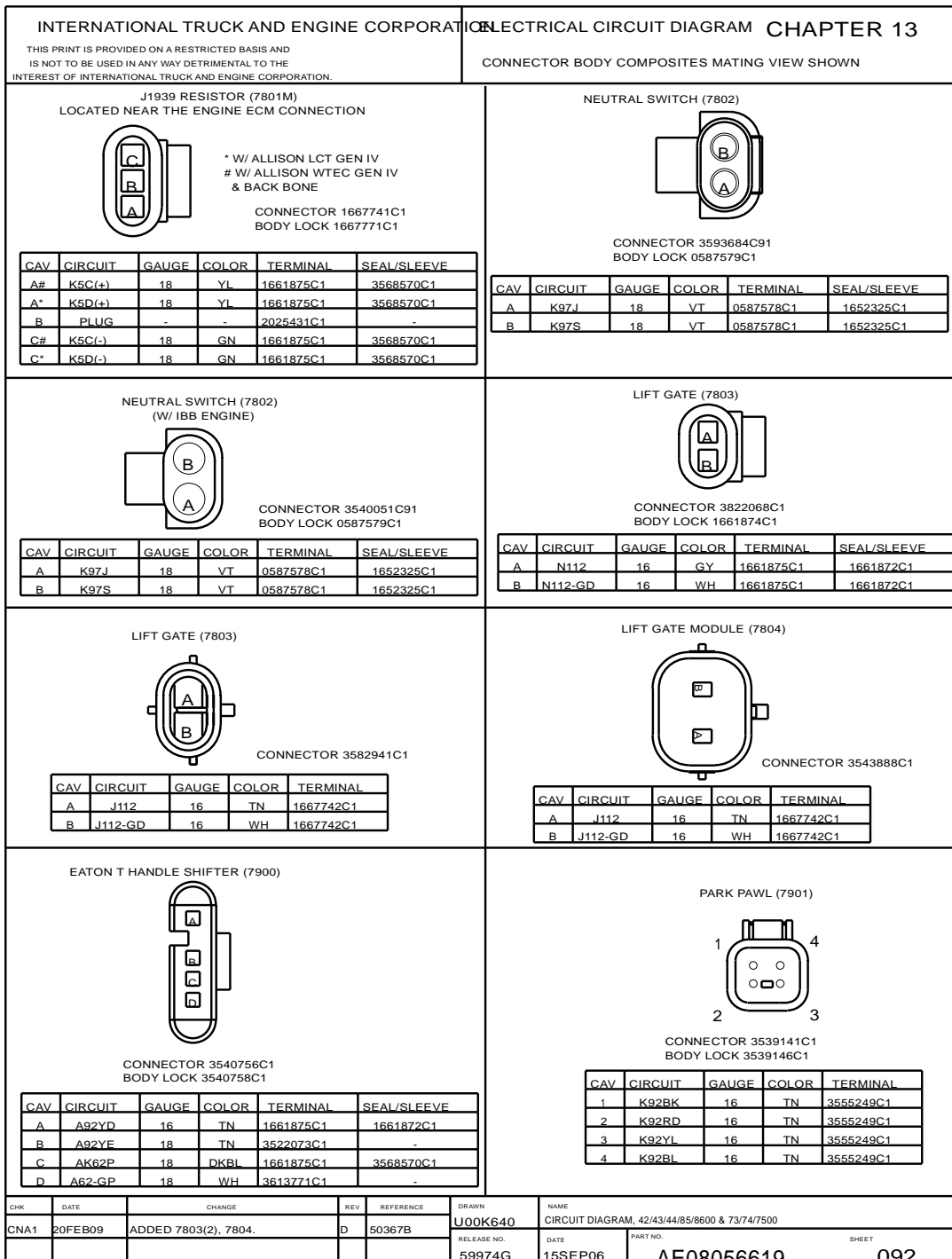


Figure 362 Connector Composites (7801M), (7802), (7803), (7804), (7900), (7901)

13.109. CONNECTOR COMPOSITES (7905), (7909), P. 93

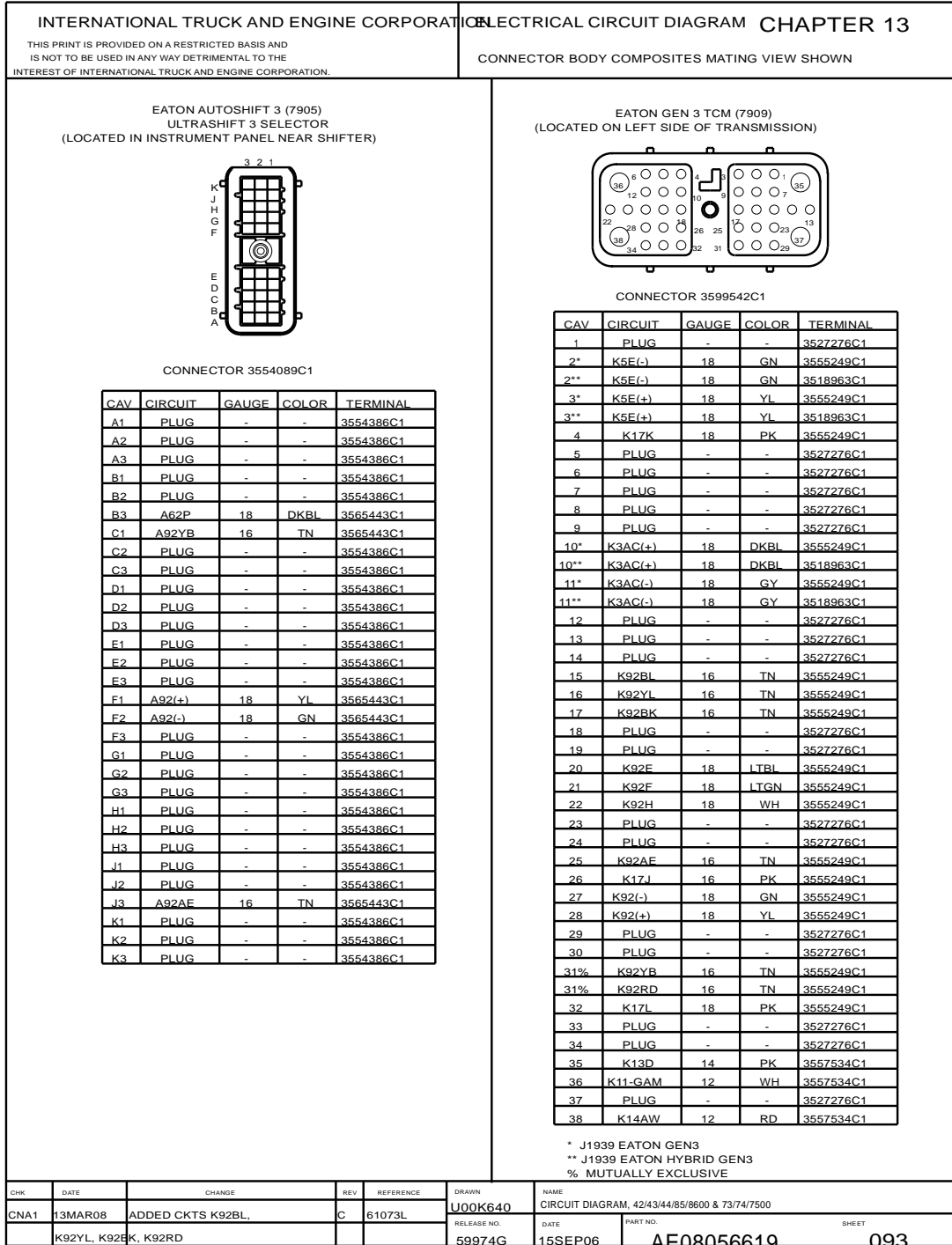


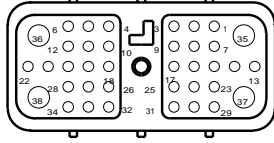
Figure 363 Connector Composites (7905), (7909)

13.110. CONNECTOR COMPOSITES (7910), (7911), P. 93A

INTERNATIONAL TRUCK AND ENGINE CORPORATION				ELECTRICAL CIRCUIT DIAGRAM CHAPTER 13			
THIS PRINT IS PROVIDED ON A RESTRICTED BASIS AND IS NOT TO BE USED IN ANY WAY DETRIMENTAL TO THE INTEREST OF INTERNATIONAL TRUCK AND ENGINE CORPORATION.				CONNECTOR BODY COMPOSITES MATING VIEW SHOWN			

HCM (7910)

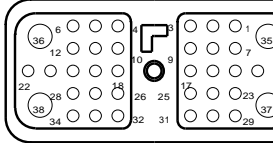


CONNECTOR 3599542C1

CAV	CIRCUIT	GAUGE	COLOR	TERMINAL
1	PLUG	-	-	3527276C1
2*	K5E(-)	18	GN	3555249C1
2**	K5E(-)	18	GN	3557534C1
3*	K5E(+)	18	YL	3555249C1
3**	K5E(+)	18	YL	3557534C1
4	K17K	18	PK	3555249C1
5	PLUG	-	-	3527276C1
6	PLUG	-	-	3527276C1
7	PLUG	-	-	3527276C1
8	PLUG	-	-	3527276C1
9	PLUG	-	-	3527276C1
10*	K3AC(+)	18	DKBL	3555249C1
10**	K3AC(+)	18	DKBL	3557534C1
11*	K3AC(-)	18	GY	3555249C1
11**	K3AC(-)	18	GY	3557534C1
12	PLUG	-	-	3527276C1
13	PLUG	-	-	3527276C1
14	PLUG	-	-	3527276C1
15	PLUG	-	-	3527276C1
16	PLUG	-	-	3527276C1
17	PLUG	-	-	3527276C1
18	PLUG	-	-	3527276C1
19	PLUG	-	-	3527276C1
20	K92E	18	LTBL	3555249C1
21	K92F	18	LTGN	3555249C1
22	K92H	18	WH	3555249C1
23	PLUG	-	-	3527276C1
24	PLUG	-	-	3527276C1
25	K92AE	16	TN	3555249C1
26	K17J	16	GN	3555249C1
27	K92(-)	18	GN	3555249C1
28	K92(+)	18	YL	3555249C1
29	PLUG	-	-	3527276C1
30	PLUG	-	-	3527276C1
31	K92YB	16	TN	3555249C1
32	K17L	18	PK	3555249C1
33	PLUG	-	-	3527276C1
34	PLUG	-	-	3527276C1
35	N13D	14	PK	3557534C1
36	K11-GAM	12	WH	3557534C1
37	PLUG	-	-	3527276C1
38	K14AW	12	RD	3557534C1

\* W/ EATON GEN3  
\*\* W/ EATON HYBRID GEN3

EATON HCM HYBRID (7911)



CONNECTOR 3665411C1

CAV	CIRCUIT	GAUGE	COLOR	TERMINAL
1	PLUG	-	-	3527276C1
2	N92DF	18	TN	3555249C1
3	PLUG	-	-	3527276C1
4	N92HB	18	TN	3555249C1
5	N92DC	18	TN	3527276C1
6	PLUG	-	-	3527276C1
7	PLUG	-	-	3527276C1
8	PLUG	-	-	3527276C1
9	PLUG	-	-	3527276C1
10	PLUG	-	-	3527276C1
11	N92DA	18	TN	3555249C1
12	PLUG	-	-	3527276C1
13	N92YA	18	TN	3555249C1
14	PLUG	-	-	3527276C1
15	PLUG	-	-	3527276C1
16	PLUG	-	-	3527276C1
17	N98E	18	BK	3555249C1
18	PLUG	-	-	3527276C1
19	N92DB	18	TN	3555249C1
20	PLUG	-	-	3527276C1
21	PLUG	-	-	3527276C1
22	PLUG	-	-	3527276C1
23	PLUG	-	-	3527276C1
24	PLUG	-	-	3527276C1
25	N98G	18	BK	3555249C1
26	N92HE	18	TN	3555249C1
27	PLUG	-	-	3527276C1
28	PLUG	-	-	3527276C1
29	PLUG	-	-	3527276C1
30	PLUG	-	-	3527276C1
31	N98F	18	BK	3555249C1
32	N92HA	18	TN	3555249C1
33	N92DE	18	TN	3555249C1
34	PLUG	-	-	3527276C1
35	N92HC	12	TN	3555249C1
36	PLUG	-	-	3527276C1
37	N92HD	12	TN	3555249C1
38	PLUG	-	-	3527276C1

CHK	DATE	CHANGE	REV	REFERENCE	DRAWN	NAME
RAW6	04DEC07	INITIAL RELEASE	A	61000T	300371	CIRCUIT DIAGRAM, 42/43/44/85/8600 & 73/74/7500
					RELEASE NO.	DATE
					61000T	31OCT07
					PART NO.	SHEET
					AE08056619	93a

Figure 364 Connector Composites (7910), (7911)



13.111. CONNECTOR COMPOSITES (8000), (8001), (8102), (8103), (8150), (8151), P. 94

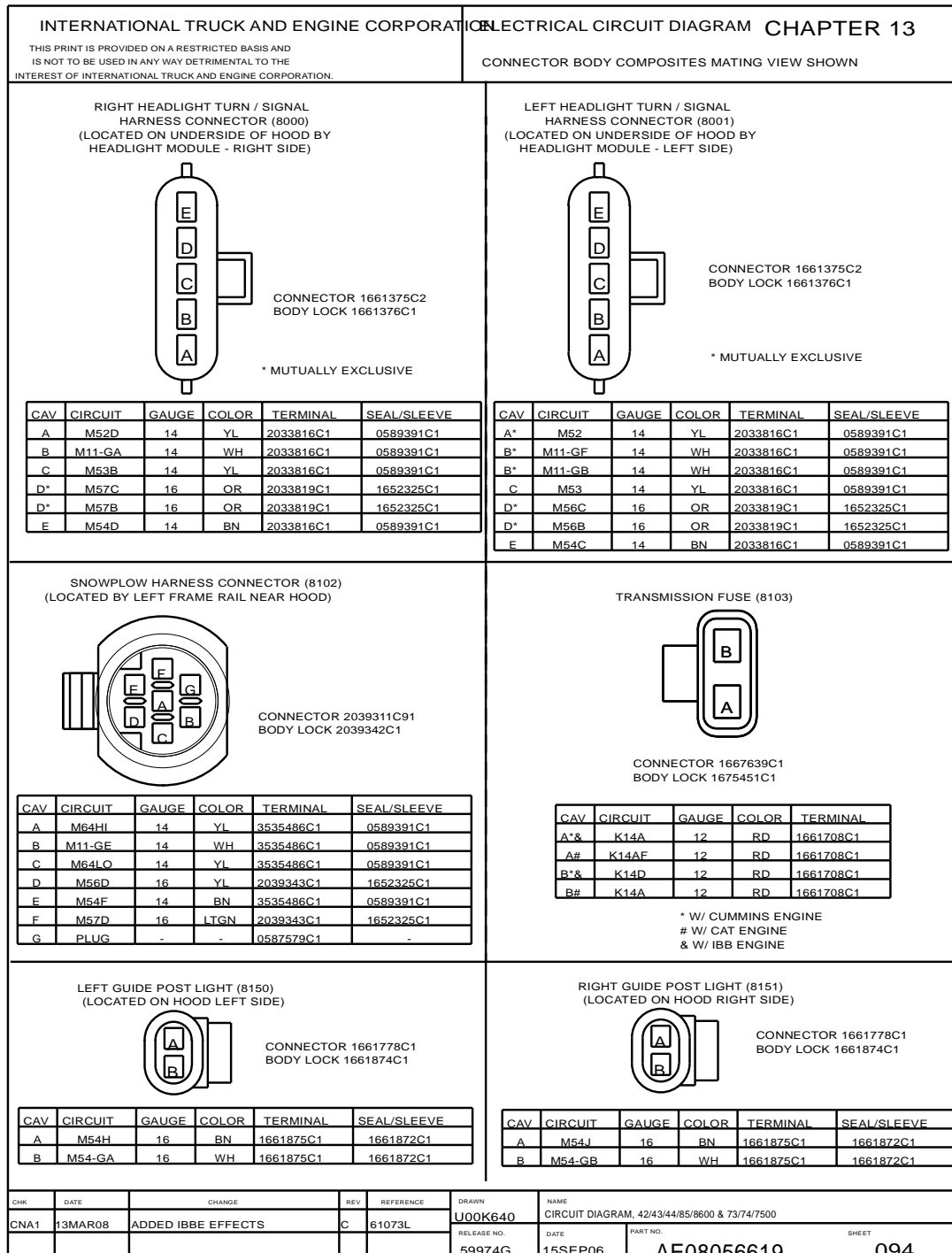


Figure 365 Connector Composites (8000), (8001), (8102), (8103), (8150), (8151)

13.112. CONNECTOR COMPOSITES (8200), (8201), (8301), (8303), (8305), (8310), (8311), P. 95

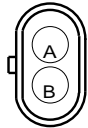
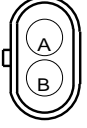
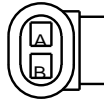
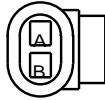
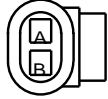
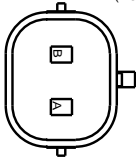
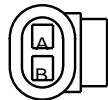
INTERNATIONAL TRUCK AND ENGINE CORPORATION				ELECTRICAL CIRCUIT DIAGRAM CHAPTER 13																																																									
THIS PRINT IS PROVIDED ON A RESTRICTED BASIS AND IS NOT TO BE USED IN ANY WAY DETRIMENTAL TO THE INTEREST OF INTERNATIONAL TRUCK AND ENGINE CORPORATION.				CONNECTOR BODY COMPOSITES MATING VIEW SHOWN																																																									
RIGHT FOG LIGHT (8200) (LOCATED AT THE FORWARD END OF RIGHT FRAME RAIL)				LEFT FOG LIGHT (8201) (LOCATED AT THE FORWARD END OF LEFT FRAME RAIL)																																																									
 CONNECTOR 0587567C91				 CONNECTOR 0587567C91																																																									
<table border="1" style="width:100%; border-collapse: collapse; font-size: x-small;"> <thead> <tr> <th>CAV</th> <th>CIRCUIT</th> <th>GAUGE</th> <th>COLOR</th> <th>TERMINAL</th> <th>SEAL/SLEEVE</th> </tr> </thead> <tbody> <tr> <td>A</td> <td>M64B</td> <td>16</td> <td>YL</td> <td>0587577C1</td> <td>1652325C1</td> </tr> <tr> <td>A*</td> <td>M64A</td> <td>16</td> <td>YL</td> <td>0587577C1</td> <td>1652325C1</td> </tr> <tr> <td>B</td> <td>M64-GB</td> <td>16</td> <td>WH</td> <td>0587577C1</td> <td>1652325C1</td> </tr> </tbody> </table>	CAV	CIRCUIT	GAUGE	COLOR	TERMINAL	SEAL/SLEEVE	A	M64B	16	YL	0587577C1	1652325C1	A*	M64A	16	YL	0587577C1	1652325C1	B	M64-GB	16	WH	0587577C1	1652325C1		<table border="1" style="width:100%; border-collapse: collapse; font-size: x-small;"> <thead> <tr> <th>CAV</th> <th>CIRCUIT</th> <th>GAUGE</th> <th>COLOR</th> <th>TERMINAL</th> <th>SEAL/SLEEVE</th> </tr> </thead> <tbody> <tr> <td>A</td> <td>M64A</td> <td>16</td> <td>YL</td> <td>0587577C1</td> <td>1652325C1</td> </tr> <tr> <td>A*</td> <td>M64B</td> <td>16</td> <td>YL</td> <td>0587577C1</td> <td>1652325C1</td> </tr> <tr> <td>B</td> <td>M64-GA</td> <td>16</td> <td>WH</td> <td>0587577C1</td> <td>1652325C1</td> </tr> </tbody> </table>	CAV	CIRCUIT	GAUGE	COLOR	TERMINAL	SEAL/SLEEVE	A	M64A	16	YL	0587577C1	1652325C1	A*	M64B	16	YL	0587577C1	1652325C1	B	M64-GA	16	WH	0587577C1	1652325C1											
CAV	CIRCUIT	GAUGE	COLOR	TERMINAL	SEAL/SLEEVE																																																								
A	M64B	16	YL	0587577C1	1652325C1																																																								
A*	M64A	16	YL	0587577C1	1652325C1																																																								
B	M64-GB	16	WH	0587577C1	1652325C1																																																								
CAV	CIRCUIT	GAUGE	COLOR	TERMINAL	SEAL/SLEEVE																																																								
A	M64A	16	YL	0587577C1	1652325C1																																																								
A*	M64B	16	YL	0587577C1	1652325C1																																																								
B	M64-GA	16	WH	0587577C1	1652325C1																																																								
* W/ RH - HDD				* W/ RH - HDD																																																									
ELECTRIC HORN (8301) (LOCATED ON LEFT FRAME RAIL BY ENGINE CROSSMEMBER)				ELECTRIC HORN #1 (8303) (LOCATED UNDER ENGINE CROSSMEMBER)																																																									
 CONNECTOR 1661778C1 BODY LOCK 1661874C1				 CONNECTOR 1661778C1 BODY LOCK 1661874C1																																																									
<table border="1" style="width:100%; border-collapse: collapse; font-size: x-small;"> <thead> <tr> <th>CAV</th> <th>CIRCUIT</th> <th>GAUGE</th> <th>COLOR</th> <th>TERMINAL</th> <th>SEAL/SLEEVE</th> </tr> </thead> <tbody> <tr> <td>A</td> <td>M85E</td> <td>16</td> <td>GY</td> <td>1661875C1</td> <td>1661872C1</td> </tr> <tr> <td>B</td> <td>M85-GA</td> <td>16</td> <td>WH</td> <td>1661875C1</td> <td>1661872C1</td> </tr> </tbody> </table>	CAV	CIRCUIT	GAUGE	COLOR	TERMINAL	SEAL/SLEEVE	A	M85E	16	GY	1661875C1	1661872C1	B	M85-GA	16	WH	1661875C1	1661872C1		<table border="1" style="width:100%; border-collapse: collapse; font-size: x-small;"> <thead> <tr> <th>CAV</th> <th>CIRCUIT</th> <th>GAUGE</th> <th>COLOR</th> <th>TERMINAL</th> <th>SEAL/SLEEVE</th> </tr> </thead> <tbody> <tr> <td>A#</td> <td>M85H</td> <td>16</td> <td>GY</td> <td>1661875C1</td> <td>1661872C1</td> </tr> <tr> <td>A*</td> <td>M85E</td> <td>16</td> <td>GY</td> <td>1661875C1</td> <td>1661872C1</td> </tr> <tr> <td>B#</td> <td>M85-GJ</td> <td>16</td> <td>WH</td> <td>1661875C1</td> <td>1661872C1</td> </tr> <tr> <td>B*</td> <td>M85-GF</td> <td>16</td> <td>WH</td> <td>1661875C1</td> <td>1661872C1</td> </tr> </tbody> </table>	CAV	CIRCUIT	GAUGE	COLOR	TERMINAL	SEAL/SLEEVE	A#	M85H	16	GY	1661875C1	1661872C1	A*	M85E	16	GY	1661875C1	1661872C1	B#	M85-GJ	16	WH	1661875C1	1661872C1	B*	M85-GF	16	WH	1661875C1	1661872C1											
CAV	CIRCUIT	GAUGE	COLOR	TERMINAL	SEAL/SLEEVE																																																								
A	M85E	16	GY	1661875C1	1661872C1																																																								
B	M85-GA	16	WH	1661875C1	1661872C1																																																								
CAV	CIRCUIT	GAUGE	COLOR	TERMINAL	SEAL/SLEEVE																																																								
A#	M85H	16	GY	1661875C1	1661872C1																																																								
A*	M85E	16	GY	1661875C1	1661872C1																																																								
B#	M85-GJ	16	WH	1661875C1	1661872C1																																																								
B*	M85-GF	16	WH	1661875C1	1661872C1																																																								
				* W/ SINGLE HORN # W/ DUAL HORN																																																									
ELECTRIC HORN #2 (8305) (LOCATED UNDER ENGINE CROSSMEMBER)				ELECTRIC HORN (8310) (LOCATED ON LEFT FRAME RAIL BY ENGINE CROSSMEMBER)																																																									
 CONNECTOR 1661778C1 BODY LOCK 1661874C1				 CONNECTOR 3543888C1 BODY LOCK 1661874C1																																																									
<table border="1" style="width:100%; border-collapse: collapse; font-size: x-small;"> <thead> <tr> <th>CAV</th> <th>CIRCUIT</th> <th>GAUGE</th> <th>COLOR</th> <th>TERMINAL</th> <th>SEAL/SLEEVE</th> </tr> </thead> <tbody> <tr> <td>A</td> <td>M85J</td> <td>16</td> <td>GY</td> <td>1661875C1</td> <td>1661872C1</td> </tr> <tr> <td>B</td> <td>M85-GG</td> <td>16</td> <td>WH</td> <td>1661875C1</td> <td>1661872C1</td> </tr> </tbody> </table>	CAV	CIRCUIT	GAUGE	COLOR	TERMINAL	SEAL/SLEEVE	A	M85J	16	GY	1661875C1	1661872C1	B	M85-GG	16	WH	1661875C1	1661872C1		<table border="1" style="width:100%; border-collapse: collapse; font-size: x-small;"> <thead> <tr> <th>CAV</th> <th>CIRCUIT</th> <th>GAUGE</th> <th>COLOR</th> <th>TERMINAL</th> <th>SEAL/SLEEVE</th> </tr> </thead> <tbody> <tr> <td>A</td> <td>M85J</td> <td>16</td> <td>GY</td> <td>1667742C1</td> <td>1661872C1</td> </tr> <tr> <td>B</td> <td>M85-GC</td> <td>16</td> <td>WH</td> <td>1667742C1</td> <td>1661872C1</td> </tr> </tbody> </table>	CAV	CIRCUIT	GAUGE	COLOR	TERMINAL	SEAL/SLEEVE	A	M85J	16	GY	1667742C1	1661872C1	B	M85-GC	16	WH	1667742C1	1661872C1																							
CAV	CIRCUIT	GAUGE	COLOR	TERMINAL	SEAL/SLEEVE																																																								
A	M85J	16	GY	1661875C1	1661872C1																																																								
B	M85-GG	16	WH	1661875C1	1661872C1																																																								
CAV	CIRCUIT	GAUGE	COLOR	TERMINAL	SEAL/SLEEVE																																																								
A	M85J	16	GY	1667742C1	1661872C1																																																								
B	M85-GC	16	WH	1667742C1	1661872C1																																																								
ELECTRIC HORN #1 (8311) (LOCATED UNDER ENGINE CROSSMEMBER)				<table border="1" style="width:100%; border-collapse: collapse; font-size: x-small;"> <thead> <tr> <th>CAV</th> <th>CIRCUIT</th> <th>GAUGE</th> <th>COLOR</th> <th>TERMINAL</th> <th>SEAL/SLEEVE</th> </tr> </thead> <tbody> <tr> <td>A</td> <td>M85L</td> <td>16</td> <td>GY</td> <td>1661875C1</td> <td>1661872C1</td> </tr> <tr> <td>A%</td> <td>M85J</td> <td>16</td> <td>GY</td> <td>1661875C1</td> <td>1661872C1</td> </tr> <tr> <td>A##</td> <td>M85K</td> <td>16</td> <td>GY</td> <td>1661875C1</td> <td>1661872C1</td> </tr> <tr> <td>A**</td> <td>M85E</td> <td>16</td> <td>GY</td> <td>1661875C1</td> <td>1661872C1</td> </tr> <tr> <td>B#</td> <td>M85-GE</td> <td>16</td> <td>WH</td> <td>1661875C1</td> <td>1661872C1</td> </tr> <tr> <td>B**</td> <td>M85-GB</td> <td>16</td> <td>WH</td> <td>1661875C1</td> <td>1661872C1</td> </tr> <tr> <td>B%</td> <td>M85-GC</td> <td>16</td> <td>WH</td> <td>1661875C1</td> <td>1661872C1</td> </tr> <tr> <td>B##</td> <td>M85-GD</td> <td>16</td> <td>WH</td> <td>1661875C1</td> <td>1661872C1</td> </tr> </tbody> </table>				CAV	CIRCUIT	GAUGE	COLOR	TERMINAL	SEAL/SLEEVE	A	M85L	16	GY	1661875C1	1661872C1	A%	M85J	16	GY	1661875C1	1661872C1	A##	M85K	16	GY	1661875C1	1661872C1	A**	M85E	16	GY	1661875C1	1661872C1	B#	M85-GE	16	WH	1661875C1	1661872C1	B**	M85-GB	16	WH	1661875C1	1661872C1	B%	M85-GC	16	WH	1661875C1	1661872C1	B##	M85-GD	16	WH	1661875C1	1661872C1
CAV	CIRCUIT	GAUGE	COLOR	TERMINAL	SEAL/SLEEVE																																																								
A	M85L	16	GY	1661875C1	1661872C1																																																								
A%	M85J	16	GY	1661875C1	1661872C1																																																								
A##	M85K	16	GY	1661875C1	1661872C1																																																								
A**	M85E	16	GY	1661875C1	1661872C1																																																								
B#	M85-GE	16	WH	1661875C1	1661872C1																																																								
B**	M85-GB	16	WH	1661875C1	1661872C1																																																								
B%	M85-GC	16	WH	1661875C1	1661872C1																																																								
B##	M85-GD	16	WH	1661875C1	1661872C1																																																								
 CONNECTOR 1661778C1 BODY LOCK 1661874C1				# W/ DUAL HORN W/ SS ** W/ SINGLE HORN W/ SS % W/ SINGLE HORN W/ MD, W/ RH, W/ RH - MRD ## W/ DUAL HORN W/ MD, W/ RH, W/ RH - MRD																																																									
<table border="1" style="width:100%; border-collapse: collapse; font-size: x-small;"> <thead> <tr> <th>CHK</th> <th>DATE</th> <th>CHANGE</th> <th>REV</th> <th>REFERENCE</th> <th>DRAWN</th> <th>NAME</th> </tr> </thead> <tbody> <tr> <td>CNA1</td> <td>20FEB09</td> <td>REVISED CONN 8311</td> <td>B</td> <td>50367B</td> <td>U00K640</td> <td>CIRCUIT DIAGRAM, 42/43/44/85/8600 &amp; 73/74/7500</td> </tr> </tbody> </table>	CHK	DATE	CHANGE	REV	REFERENCE	DRAWN	NAME	CNA1	20FEB09	REVISED CONN 8311	B	50367B	U00K640	CIRCUIT DIAGRAM, 42/43/44/85/8600 & 73/74/7500		<table border="1" style="width:100%; border-collapse: collapse; font-size: x-small;"> <thead> <tr> <th>RELEASE NO.</th> <th>DATE</th> <th>PART NO.</th> <th>SHEET</th> </tr> </thead> <tbody> <tr> <td>59974G</td> <td>15SEP06</td> <td>AE08056619</td> <td>095</td> </tr> </tbody> </table>	RELEASE NO.	DATE	PART NO.	SHEET	59974G	15SEP06	AE08056619	095																																					
CHK	DATE	CHANGE	REV	REFERENCE	DRAWN	NAME																																																							
CNA1	20FEB09	REVISED CONN 8311	B	50367B	U00K640	CIRCUIT DIAGRAM, 42/43/44/85/8600 & 73/74/7500																																																							
RELEASE NO.	DATE	PART NO.	SHEET																																																										
59974G	15SEP06	AE08056619	095																																																										
CIRCUITS AND DWG TITLE:				CIRCUIT DIAGRAM, 42/43/44/85/8600 & 73/74/7500																																																									

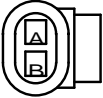
Figure 366 Connector Composites (8200), (8201), (8301), (8303), (8305), (8310), (8311)

13.113. CONNECTOR COMPOSITES (8312), (8410), (8500), (8501), P. 96

<b>NAVISTAR, INC</b>				<b>ELECTRICAL CIRCUIT DIAGRAM</b>		<b>CHAPTER 13</b>	
THIS PRINT IS PROVIDED ON A RESTRICTED BASIS AND IS NOT TO BE USED IN ANY WAY DETRIMENTAL TO THE INTEREST OF NAVISTAR, INC.				CONNECTOR BODY COMPOSITES MATING VIEW SHOWN			

ELECTRIC HORN #2 (8312)  
(LOCATED UNDER ENGINE CROSSMEMBER)



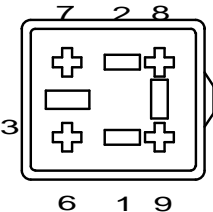
CAV	CIRCUIT	GAUGE	COLOR	TERMINAL	SEAL/SLEEVE
A#	M85M	16	GY	1661875C1	1661872C1
A*	M85L	16	GY	1661875C1	1661872C1
B*	M85-GE	16	WH	1661875C1	1661872C1
B#	M85-GD	16	WH	1661875C1	1661872C1

CONNECTOR 1661778C1  
BODY LOCK 1661874C2

\* W/ MD, W/ RH, W/ RH - MRD  
# W/ SS

COLD START ASSIST RELAY (8410)  
(W/ IBB ENGINE)

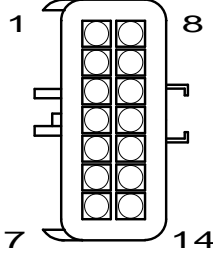


CAV	CIRCUIT	GAUGE	COLOR	TERMINAL	SEAL/SLEEVE
1	K21A1	12	TN	3664983C1	3664987C1
2	K21A2	12	TN	3664983C1	3664987C1
3	K14A1	8	RD	3664982C1	3664986C1
5	PLUG	-	-	3664989C1	-
6	K21B1	18	TN	3664984C1	3664988C1
7	K21B2	18	TN	3664984C1	3664988C1
8	K21B3	18	TN	3664984C1	3664988C1
9	PLUG	-	-	3664989C1	-

CONNECTOR 3664985C1

OEM 14 PIN CONNECTOR (8500)  
(LOCATED ON ENGINE LEFT SIDE)

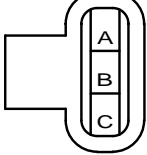


CAV	CIRCUIT	GAUGE	COLOR	TERMINAL
1	K97A	18	TN	3618272C1
2	K97-GA	18	WH	3618272C1
3	K97-GB	18	WH	3618272C1
4	K97B	18	TN	3618272C1
5	PLUG	-	-	-
6	PLUG	-	-	-
7	PLUG	-	-	-
8	PLUG	-	-	-
9	PLUG	-	-	-
10	PLUG	-	-	-
11	V95	18	TN	3618272C1
12	V95AF	18	TN	3618272C1
13	PLUG	-	-	-
14	PLUG	-	-	-

CONNECTOR 3618231C1  
W/ EURO IV ISM ENGINE

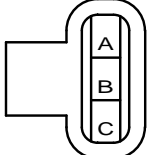
BENDIX LEFT ABS MODULATOR (8500)  
(LOCATED ON LEFT FRAME  
RAIL BY FRONT AXLE)



CONNECTOR 1686834C1  
BODY LOCK 1664408C1

CAV	CIRCUIT	GAUGE	COLOR	TERMINAL	SEAL/SLEEVE
A	M94	18	GY	2033819C1	1652325C1
B	M94A	18	GY	2033819C1	1652325C1
C	M94B	18	GY	2033819C1	1652325C1

BENDIX RIGHT ABS MODULATOR (8501)  
(LOCATED ON RIGHT FRAME  
RAIL BY FRONT AXLE)



CONNECTOR 1686834C1  
BODY LOCK 1664408C1

CAV	CIRCUIT	GAUGE	COLOR	TERMINAL	SEAL/SLEEVE
A	M94H	18	GY	2033819C1	1652325C1
B	M94J	18	GY	2033819C1	1652325C1
C	M94K	18	GY	2033819C1	1652325C1

CHK	DATE	CHANGE	REV	REFERENCE	DRAWN	NAME
2480	10JUL14	MOVED 8502 & 8502A TO	F	92477E	U00K640	CIRC DIAG, 42/43/44/73/74/75/76/85/8600, CT-610
SHEET 9		3A. ADDED 8500 W/ EURO	IV	NOTE	59974G	15SEP06
					PART NO. <b>AE08056619</b> SHEET <b>096</b>	

Figure 367 Connector Composites (8312), (8410), (8500), (8501)

13.114. CONNECTOR COMPOSITES (8502), (8502A), P. 96A

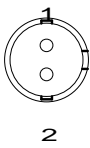

<p style="text-align: center;"><b>NAVISTAR, INC</b></p> <p style="font-size: small;">THIS PRINT IS PROVIDED ON A RESTRICTED BASIS AND IS NOT TO BE USED IN ANY WAY DETRIMENTAL TO THE INTEREST OF NAVISTAR, INC.</p>	<p style="text-align: center;"><b>ELECTRICAL CIRCUIT DIAGRAM</b></p> <p style="text-align: right;"><b>CHAPTER 13</b></p> <p style="text-align: center;">CONNECTOR BODY COMPOSITES MATING VIEW SHOWN</p>																																										
<p>LEFT FRONT HYD ABS (8502) WHEEL SENSOR (LOCATED AT LEFT FRONT WHEEL)</p>  <p>CONNECTOR 3519878C1</p> <table border="1" style="margin-left: auto; margin-right: auto; border-collapse: collapse;"> <thead> <tr> <th>CAV</th> <th>CIRCUIT</th> <th>GAUGE</th> <th>COLOR</th> <th>TERMINAL</th> </tr> </thead> <tbody> <tr> <td>1</td> <td>IM94L+1</td> <td>18</td> <td>BK</td> <td>ASSY</td> </tr> <tr> <td>2</td> <td>IM94L-1</td> <td>18</td> <td>BN</td> <td>ASSY</td> </tr> </tbody> </table>		CAV	CIRCUIT	GAUGE	COLOR	TERMINAL	1	IM94L+1	18	BK	ASSY	2	IM94L-1	18	BN	ASSY																											
CAV	CIRCUIT	GAUGE	COLOR	TERMINAL																																							
1	IM94L+1	18	BK	ASSY																																							
2	IM94L-1	18	BN	ASSY																																							
<p>BENDIX LEFT FRONT AIR (8502A) ABS SPEED SENSOR (LOCATED ON LEFT FRAME RAIL BY FRONT AXLE)</p>  <p>CONNECTOR 1684261C1 BODY LOCK 1684263C1</p> <table border="1" style="margin-left: auto; margin-right: auto; border-collapse: collapse;"> <thead> <tr> <th>CAV</th> <th>CIRCUIT</th> <th>GAUGE</th> <th>COLOR</th> <th>TERMINAL</th> </tr> </thead> <tbody> <tr> <td>1</td> <td>M94C</td> <td>18</td> <td>GY</td> <td>1680205C1</td> </tr> <tr> <td>2</td> <td>M94D</td> <td>18</td> <td>GY</td> <td>1680205C1</td> </tr> </tbody> </table>		CAV	CIRCUIT	GAUGE	COLOR	TERMINAL	1	M94C	18	GY	1680205C1	2	M94D	18	GY	1680205C1																											
CAV	CIRCUIT	GAUGE	COLOR	TERMINAL																																							
1	M94C	18	GY	1680205C1																																							
2	M94D	18	GY	1680205C1																																							
<table border="1" style="width: 100%; border-collapse: collapse;"> <thead> <tr> <th>CHK</th> <th>DATE</th> <th>CHANGE</th> <th>REV</th> <th>REFERENCE</th> <th>DRAWN</th> <th>NAME</th> </tr> </thead> <tbody> <tr> <td>2480</td> <td>10JUL14</td> <td>INITIAL RELEASE</td> <td>A</td> <td>92477E</td> <td>U201462</td> <td>CIRC DIAG, 42/43/44/73/74/75/76/85/8600, CT-610</td> </tr> <tr> <td></td> <td></td> <td></td> <td></td> <td></td> <td>RELEASE NO.</td> <td>DATE</td> </tr> <tr> <td></td> <td></td> <td></td> <td></td> <td></td> <td>92477E</td> <td>20MAR14</td> </tr> <tr> <td></td> <td></td> <td></td> <td></td> <td></td> <td>PART NO.</td> <td>SHEET</td> </tr> <tr> <td></td> <td></td> <td></td> <td></td> <td></td> <td>AE08056619</td> <td>96A</td> </tr> </tbody> </table>	CHK	DATE	CHANGE	REV	REFERENCE	DRAWN	NAME	2480	10JUL14	INITIAL RELEASE	A	92477E	U201462	CIRC DIAG, 42/43/44/73/74/75/76/85/8600, CT-610						RELEASE NO.	DATE						92477E	20MAR14						PART NO.	SHEET						AE08056619	96A	
CHK	DATE	CHANGE	REV	REFERENCE	DRAWN	NAME																																					
2480	10JUL14	INITIAL RELEASE	A	92477E	U201462	CIRC DIAG, 42/43/44/73/74/75/76/85/8600, CT-610																																					
					RELEASE NO.	DATE																																					
					92477E	20MAR14																																					
					PART NO.	SHEET																																					
					AE08056619	96A																																					

Figure 368 Connector Composites (8502), (8502A)

13.115. CONNECTOR COMPOSITES (8503), (8503A), (8505), (8506), (8506A), (8507), (8507A), (8508), P. 97

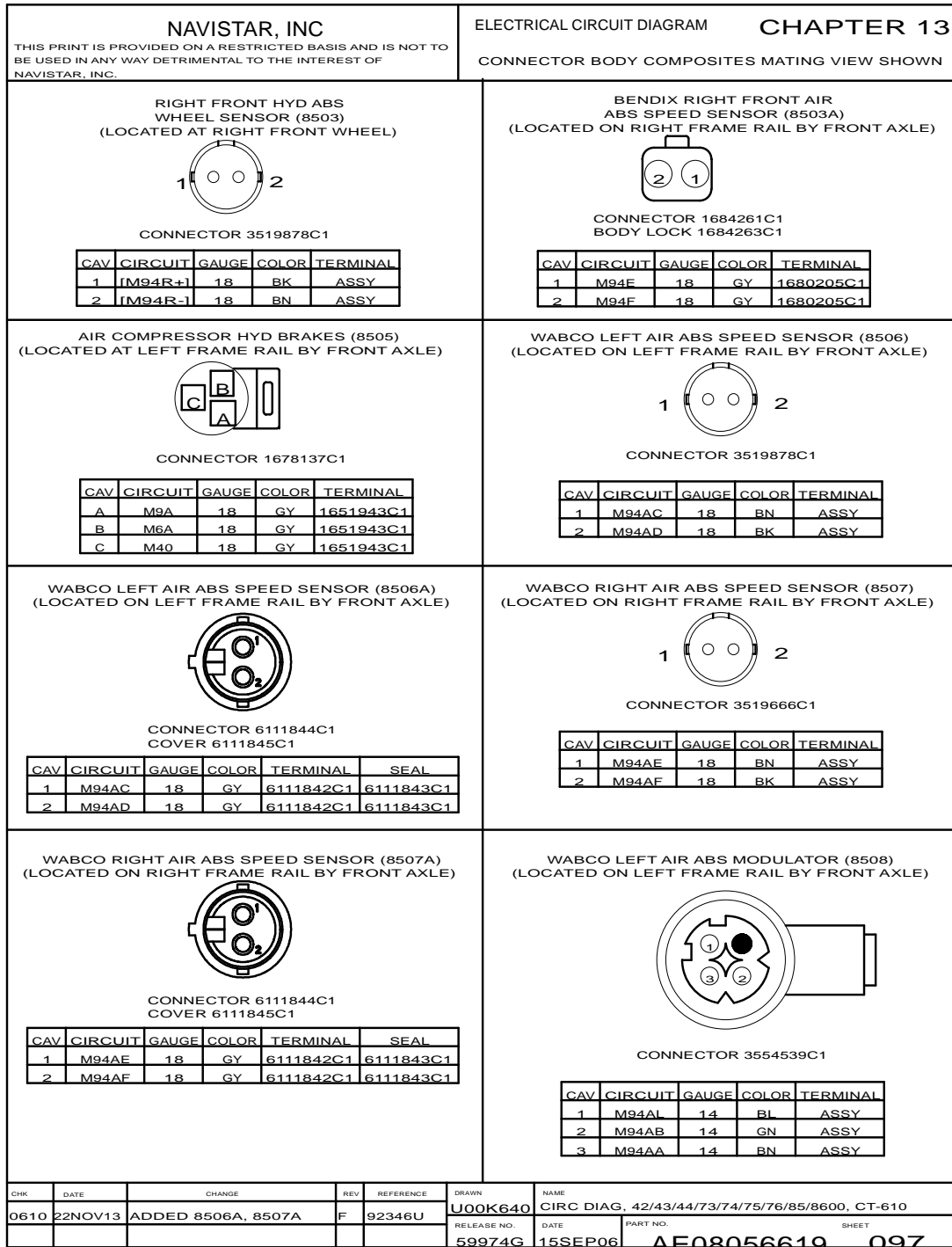


Figure 369 Connector Composites (8503), (8503A), (8505), (8506), (8506A), (8507), (8507A), (8508)

13.116. CONNECTOR COMPOSITES (8508A), (8509A), (8520A), (8521), (8601), P. 97A


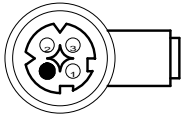


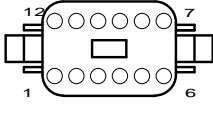
<b>NAVISTAR, INC</b> <small>THIS PRINT IS PROVIDED ON A RESTRICTED BASIS AND IS NOT TO BE USED IN ANY WAY DETRIMENTAL TO THE INTEREST OF NAVISTAR, INC.</small>				<b>ELECTRICAL CIRCUIT DIAGRAM      CHAPTER 13</b> CONNECTOR BODY COMPOSITES MATING VIEW SHOWN							
WABCO LEFT AIR ABS MODULATOR (8508A) (LOCATED ON LEFT FRAME RAIL BY FRONT AXLE)				WABCO RIGHT AIR ABS MODULATOR (8509) (LOCATED ON RIGHT FRAME RAIL BY FRONT AXLE)							
											
CONNECTOR 3919376C1 COVER 6111918C1				CONNECTOR 3554540C1							
<b>CAV</b>	<b>CIRCUIT</b>	<b>GAUGE</b>	<b>COLOR</b>	<b>TERMINAL</b>	<b>SEAL</b>	<b>CAV</b>	<b>CIRCUIT</b>	<b>GAUGE</b>	<b>COLOR</b>	<b>TERMINAL</b>	<b>SEAL</b>
1	M94ALM	14	GY	3679224C1	3601687C1	1	M94AH	14	BL	ASSY	
2	M94AAM	14	GY	3679224C1	3601687C1	2	M94AJ	14	GN	ASSY	
3	M94ABM	14	GY	3679224C1	3601687C1	3	M94AK	14	BN	ASSY	
WABCO RIGHT AIR ABS MODULATOR (8509A) (LOCATED ON RIGHT FRAME RAIL BY FRONT AXLE)				TEMP SENSOR (8601) (LOCATED AT FRONT OF LEFT FRAME RAIL)							
											
CONNECTOR 3919376C1 COVER 6111918C1				CONNECTOR 3522068C1 BODY LOCK 1661874C1							
<b>CAV</b>	<b>CIRCUIT</b>	<b>GAUGE</b>	<b>COLOR</b>	<b>TERMINAL</b>	<b>SEAL</b>	<b>CAV</b>	<b>CIRCUIT</b>	<b>GAUGE</b>	<b>COLOR</b>	<b>TERMINAL</b>	<b>SEAL/SLEEVE</b>
1	M94AHM	14	GY	3679224C1	3601687C1	A	M41	18	GY	1661875C1	1661872C1
2	M94AJM	14	GY	3679224C1	3601687C1	B*	M110AD	18	GY	1661875C1	1661872C1
3	M94AKM	14	GY	3679224C1	3601687C1	B*	M110AA	18	GY	1661875C1	1661872C1
* MUTUALLY EXCLUSIVE											
FWD CHASSIS/IP INTERCONNECT RIGHT HAND DRIVE-GREY (8520A / 8521) (LOCATED ON FRONT LEFT DASH PANEL)											
CONNECTOR 3601924C1 BODY LOCK 3601925C1						CONNECTOR 1689499C1 BODY LOCK 1689501C1					
<b>CAV</b>	<b>CIRCUIT</b>	<b>GA</b>	<b>COLOR</b>	<b>TERMINAL</b>	<b>CAV</b>	<b>CIRCUIT</b>	<b>GAUGE</b>	<b>COLOR</b>	<b>TERMINAL</b>	<b>SEAL</b>	<b>TERMINAL</b>
1	M94	18	GY	1680205C1	1	A94	16	GY	1680206C1		
2	M94A	18	GY	1680205C1	2	A94A	16	GY	1680206C1		
3	M94B	18	GY	1680205C1	3	A94B	16	GY	1680206C1		
4	M94C	18	GY	1680205C1	4	A94C	16	GY	1680206C1		
5	M94D	18	GY	1680205C1	5	A94D	16	GY	1680206C1		
6	M94E	18	GY	1680205C1	6	A94E	16	GY	1680206C1		
7	M94F	18	GY	1680205C1	7	A94F	16	GY	1680206C1		
8	M94H	18	GY	1680205C1	8	A94H	16	GY	1680206C1		
9	M94J	18	GY	1680205C1	9	A94J	16	GY	1680206C1		
10	M94K	18	GY	1680205C1	10	A94K	16	GY	1680206C1		
11	PLUG	-	-	0453133C1	11	PLUG	-	-	0453133C1		
12	PLUG	-	-	0453133C1	12	PLUG	-	-	0453133C1		
<b>CHK</b>	<b>DATE</b>	<b>CHANGE</b>	<b>REV</b>	<b>REFERENCE</b>	<b>DRAWN</b>	<b>NAME</b>					
0610	22NOV13	ADDED 8508A, 8509A	F	92346U	300371	CIRC DIAG, 42/43/44/73/74/75/76/85/8600, CT-610					
					RELEASE NO.	DATE	PART NO.	SHEET			
					61000T	31OCT07	AE08056619	97A			

Figure 370 Connector Composites (8509), (8601), (8602), (8700), (8701), (8750)

13.117. CONNECTOR COMPOSITES (8800), (8801), (8802), (8803), P. 98

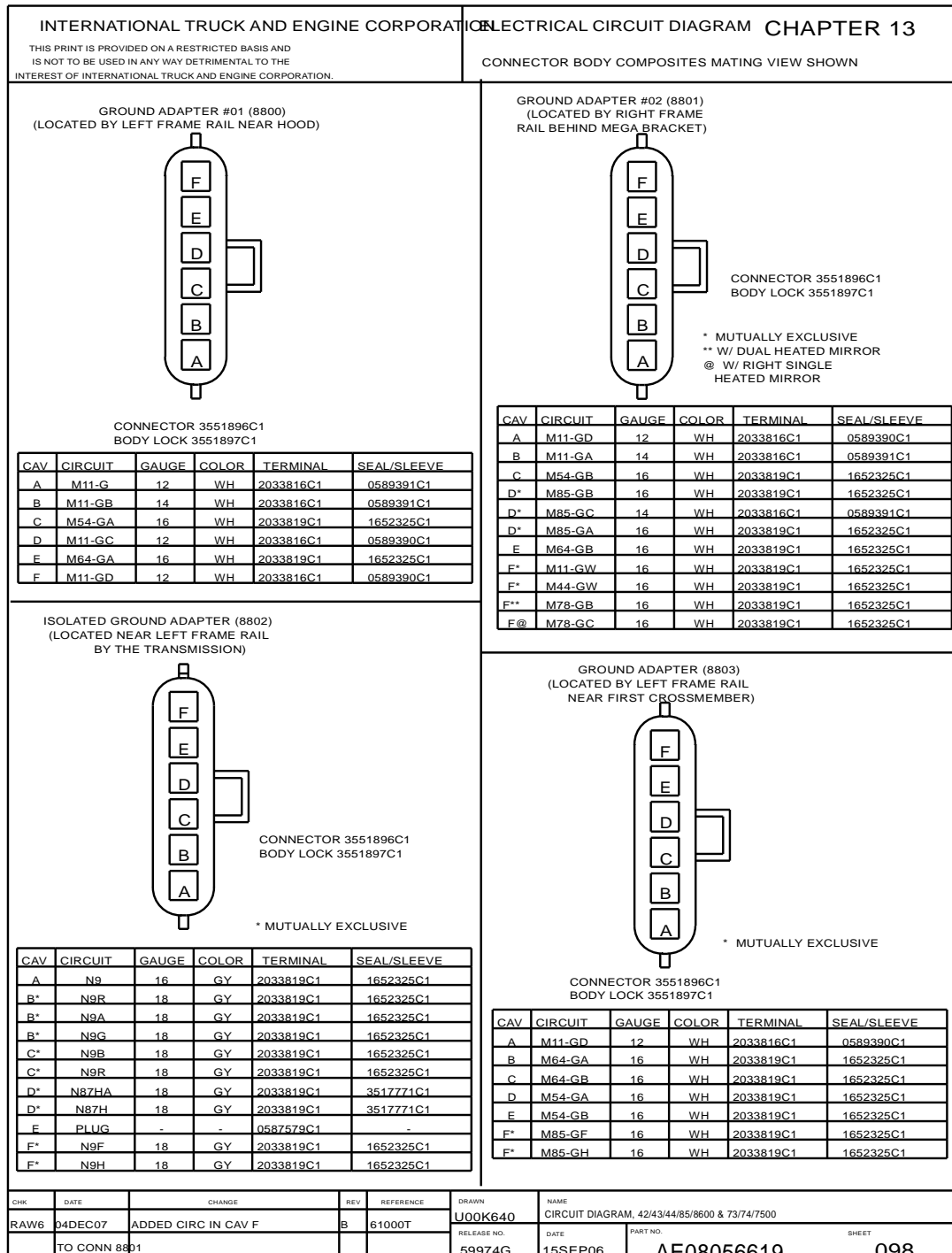


Figure 371 Connector Composites (8800), (8801), (8802), (8803)

13.118. CONNECTOR COMPOSITES (8805), (8806), P. 99

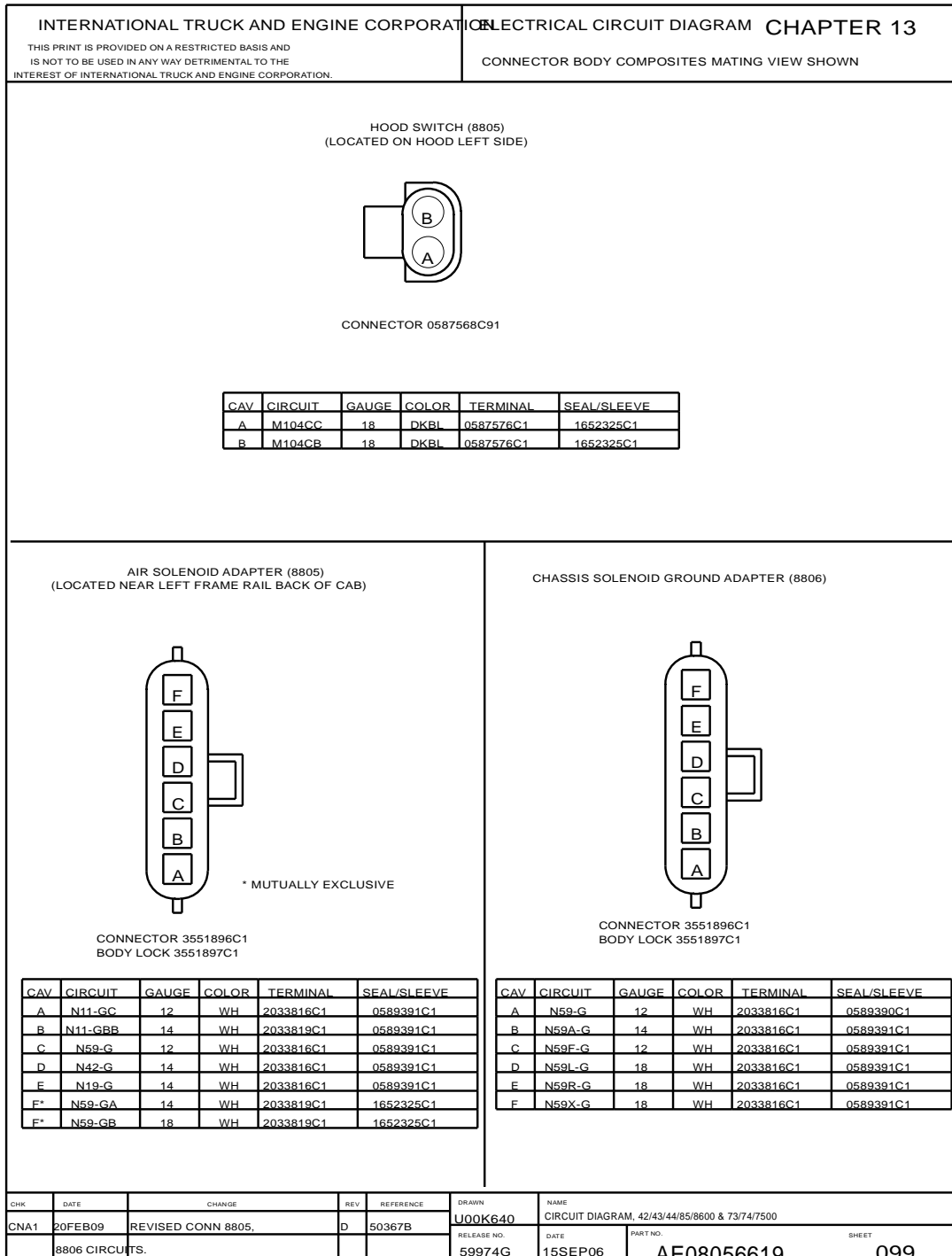


Figure 372 Connector Composites (8805), (8806)



13.119. CONNECTOR COMPOSITES (8995), (8996), (8997), (8998), (8999), P. 99A

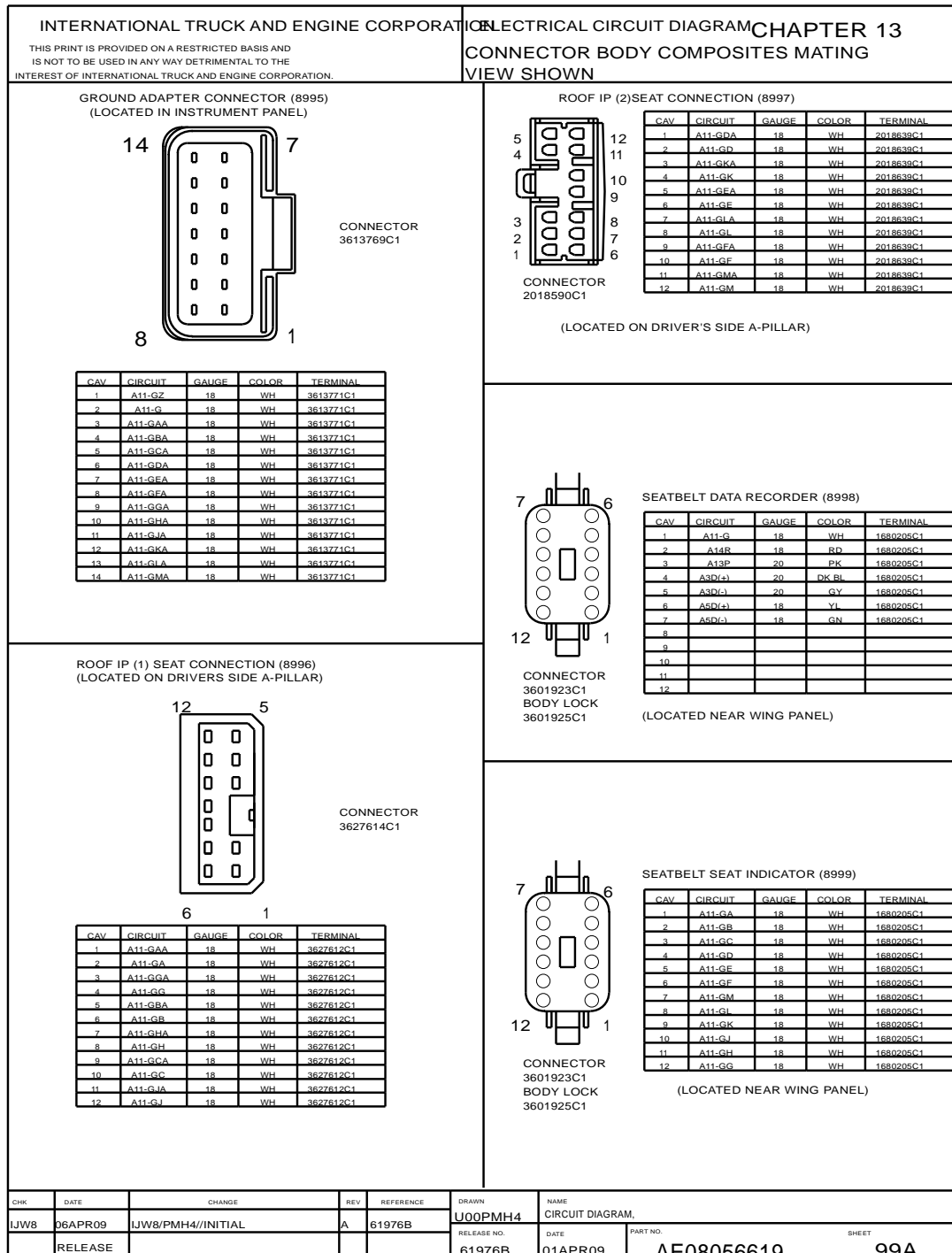


Figure 373 Connector Composites (8995), (8996), (8997), (8998), (8999)

13.120. CONNECTOR COMPOSITES (8807), (8809), (8900), (9001), P. 100

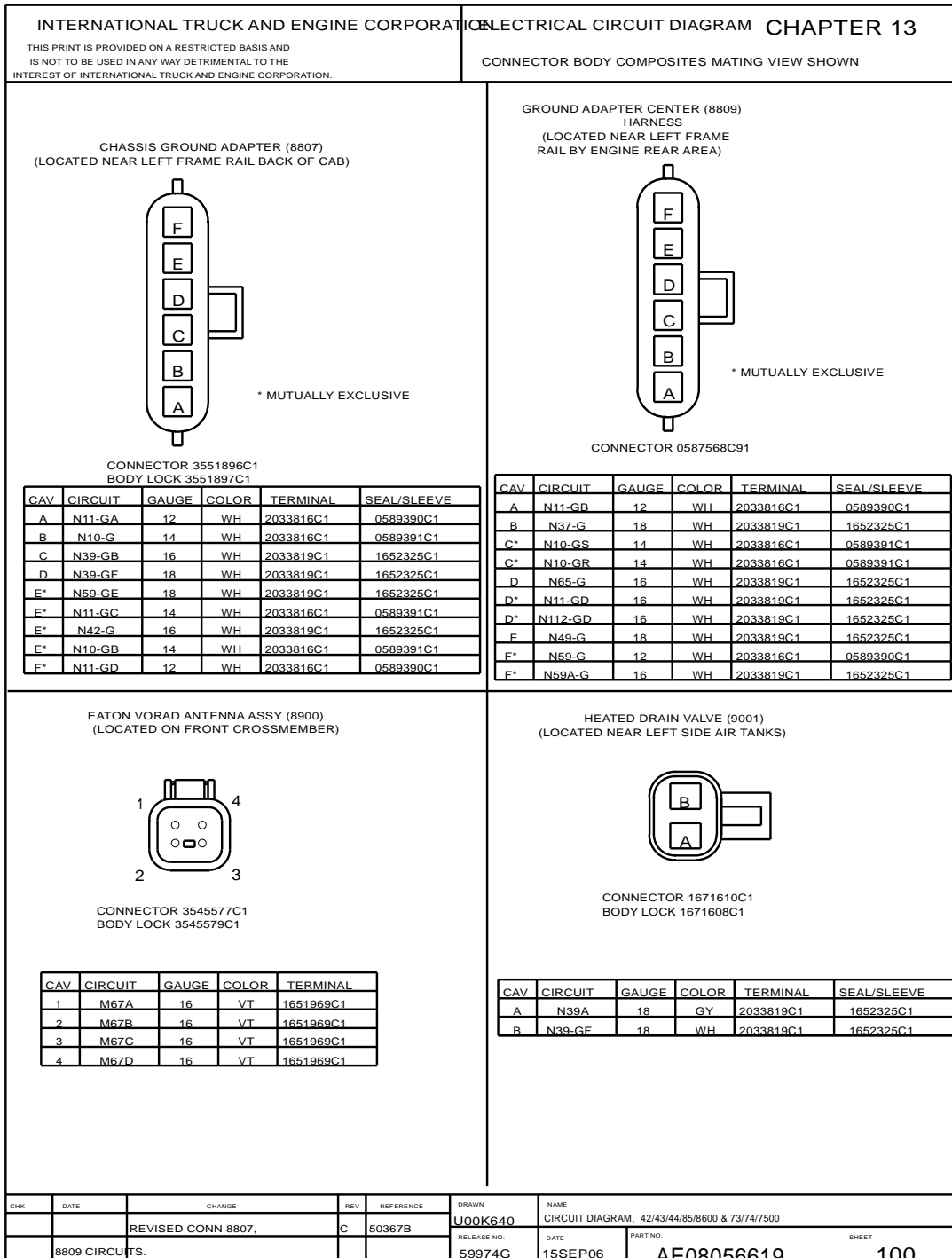


Figure 374 Connector Composites (8807), (8809), (8900), (9001)

13.121. CONNECTOR COMPOSITES (9100), (9101), (9102A / 9102), (9103), (9108), (9255), (9260), (9261), (9280), P. 101

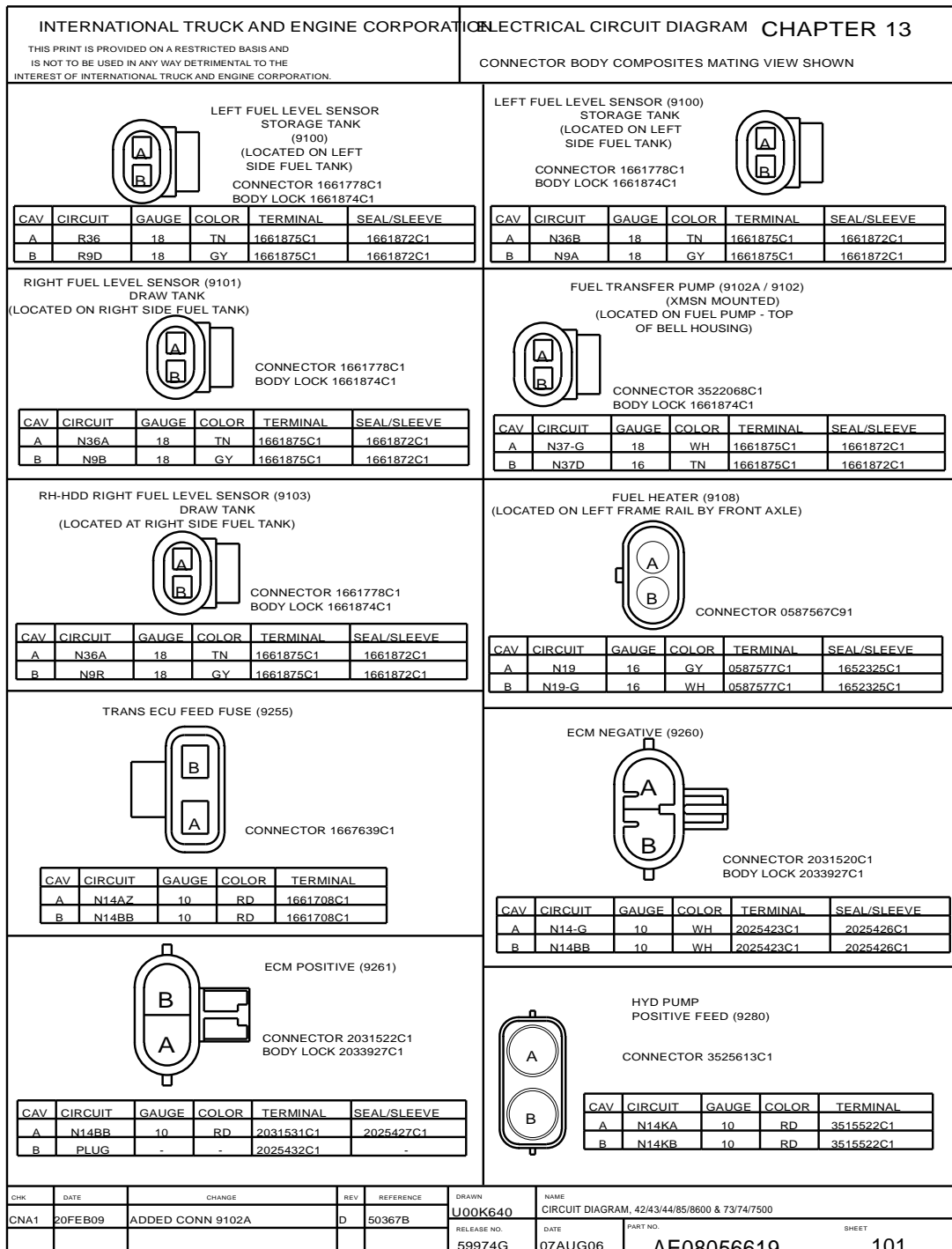


Figure 375 Connector Composites (9100), (9101), (9102A / 9102), (9103), (9108), (9255), (9260), (9261), (9280)

13.122. CONNECTOR COMPOSITES (9300), (9303), P. 102

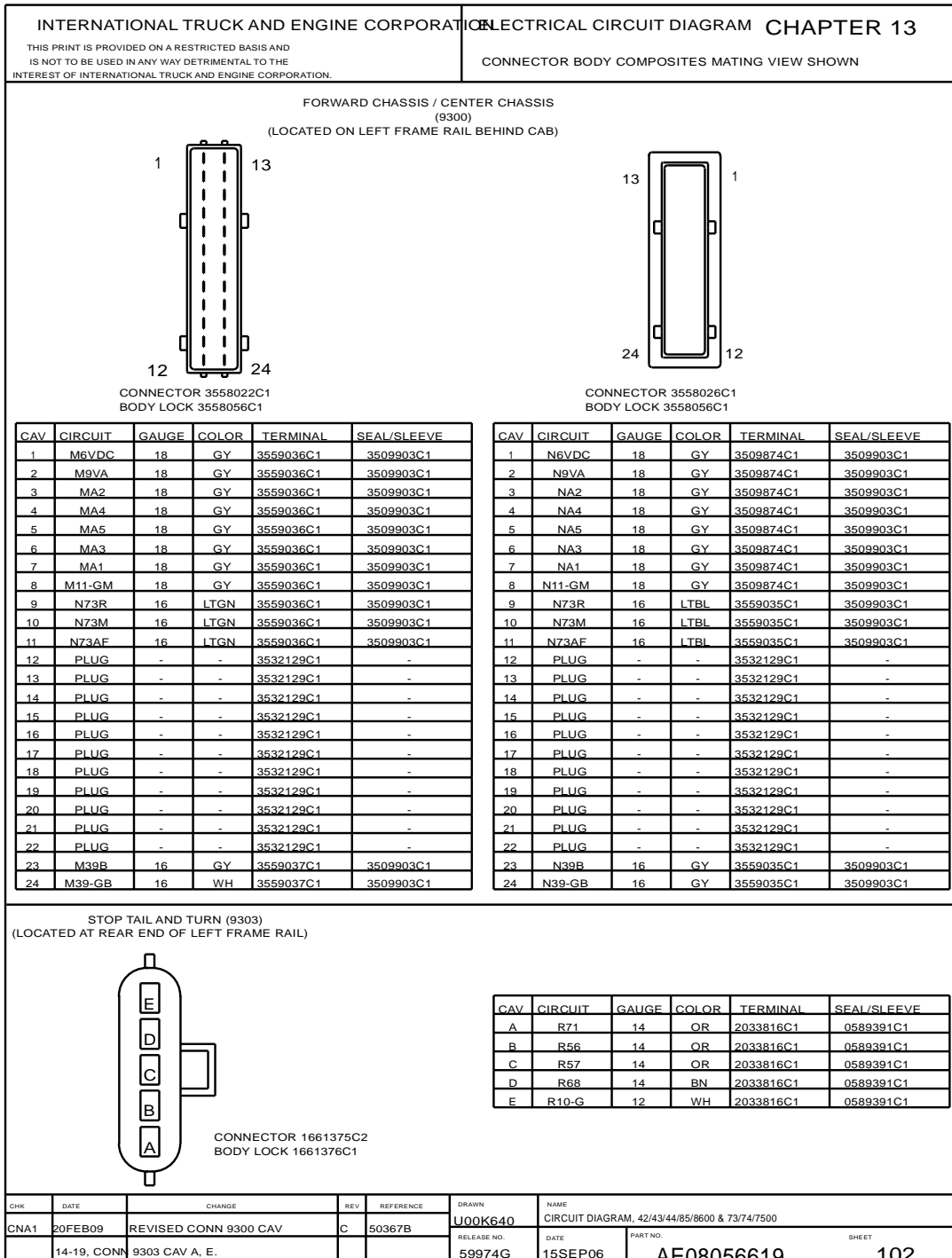


Figure 376 Connector Composites (9300), (9303)

13.123. CONNECTOR COMPOSITES (9310), (9311), (9315), (9316), (9501), (9502), (9503), (9504), P. 103

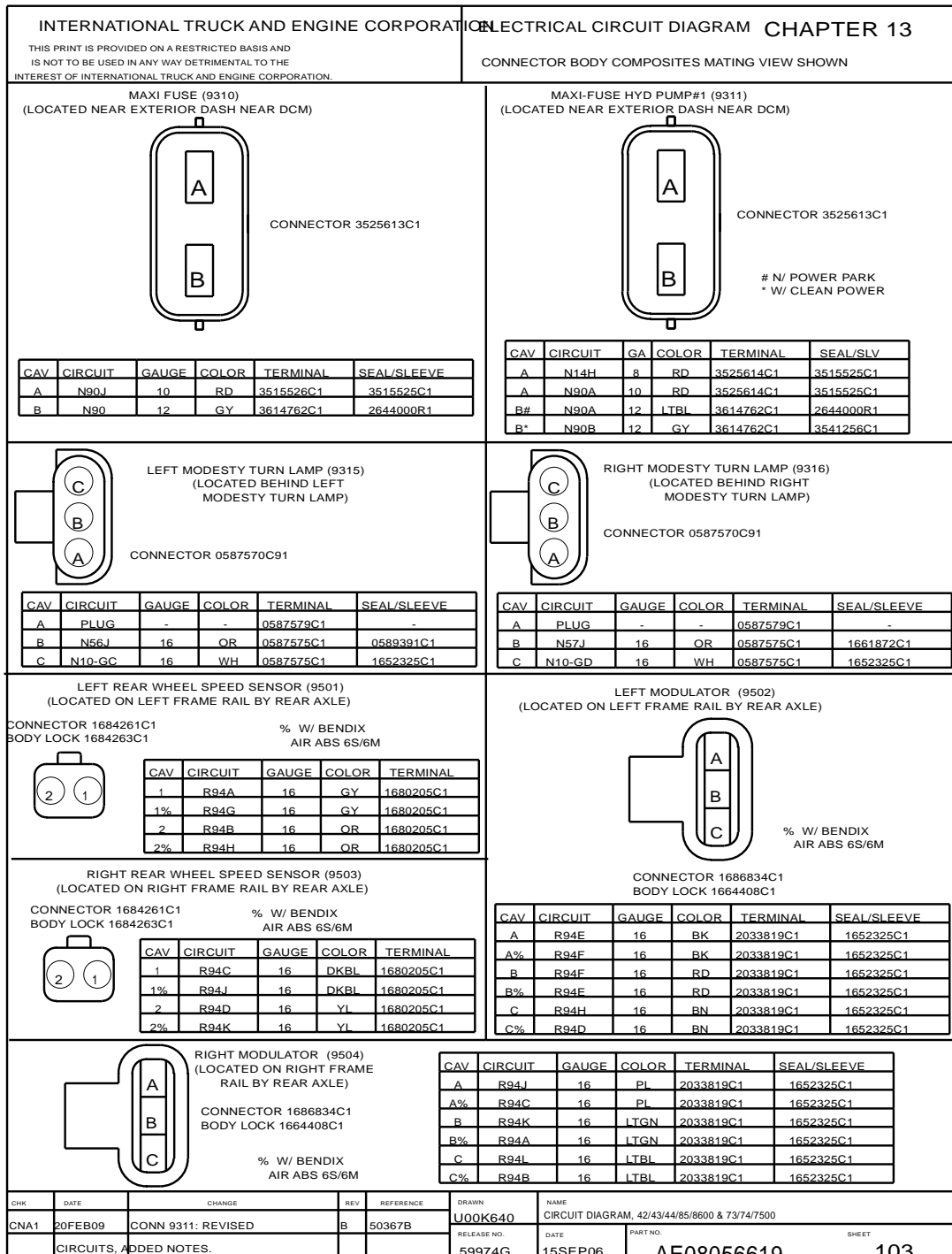


Figure 377 Connector Composites (9310), (9311), (9315), (9316), (9501), (9502), (9503), (9504)

13.124. CONNECTOR COMPOSITES (9505), (9506), (9510), (9510A), (9510B), (9510F), (9510M), P. 104

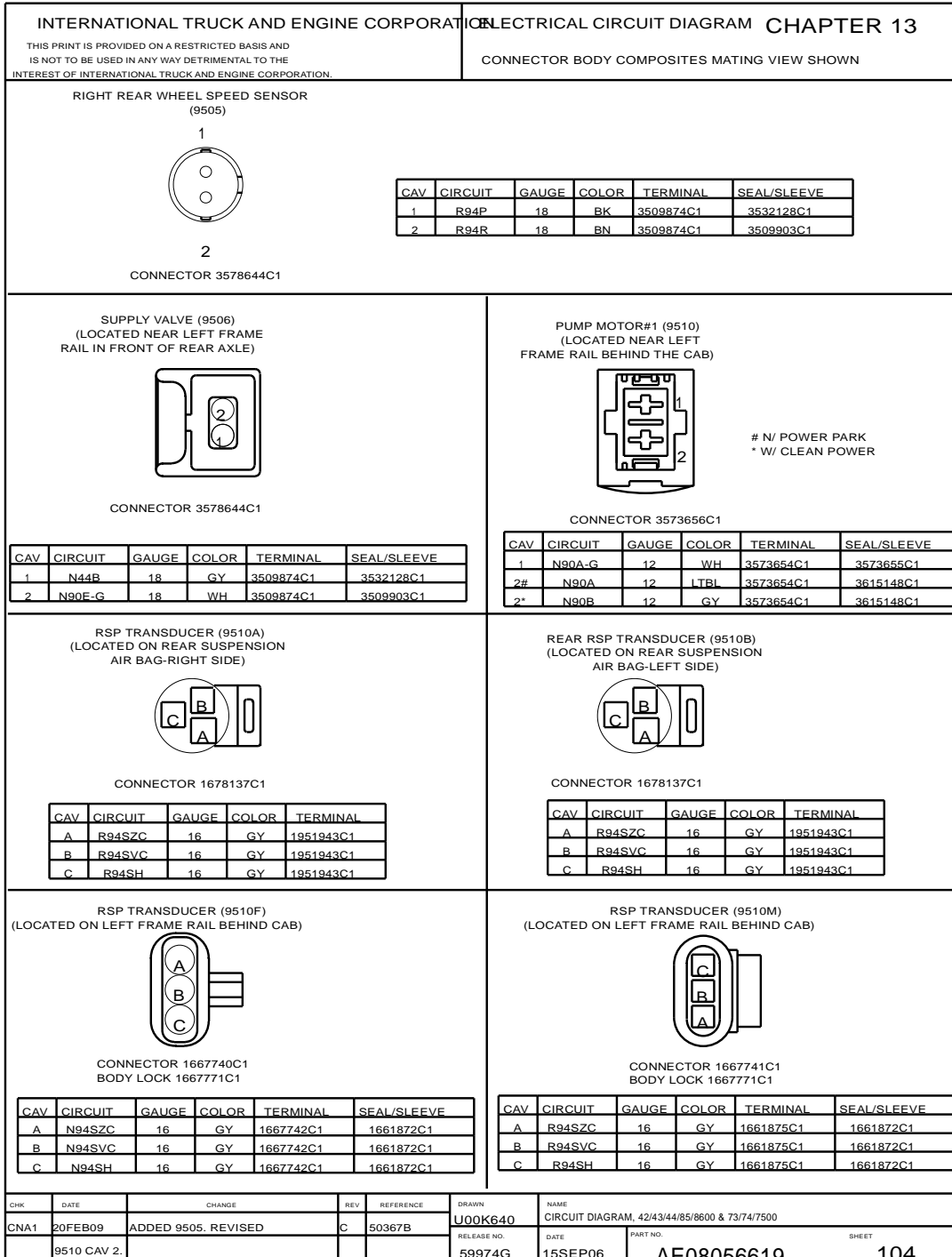


Figure 378 Connector Composites (9505), (9506), (9510), (9510A), (9510B), (9510F), (9510M)

13.125. CONNECTOR COMPOSITE (9511), P. 105

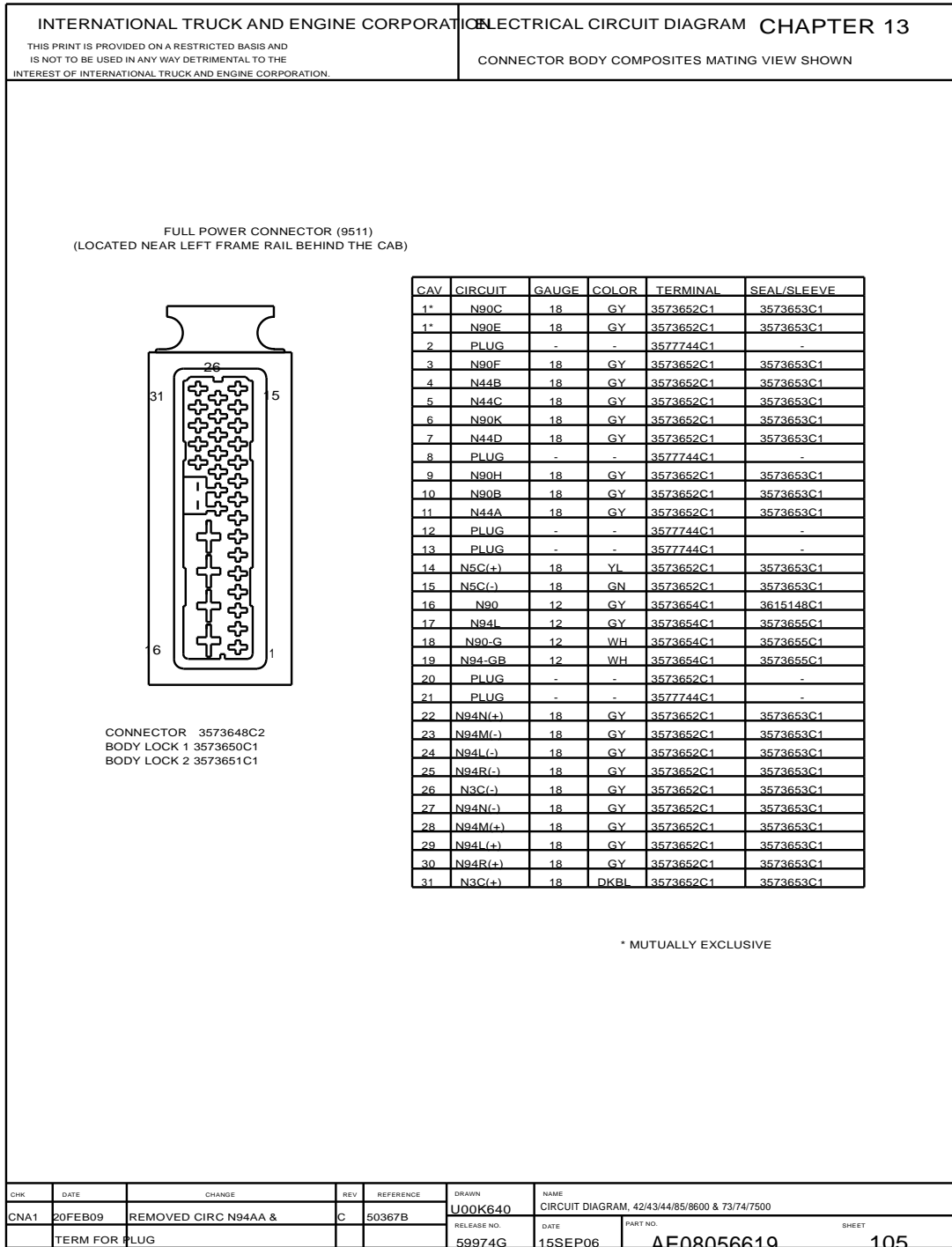


Figure 379 Connector Composite (9511)

13.126. CONNECTOR COMPOSITES (9512), (9513), (9514), (9516), (9516A), (9517), (9517A), P. 106

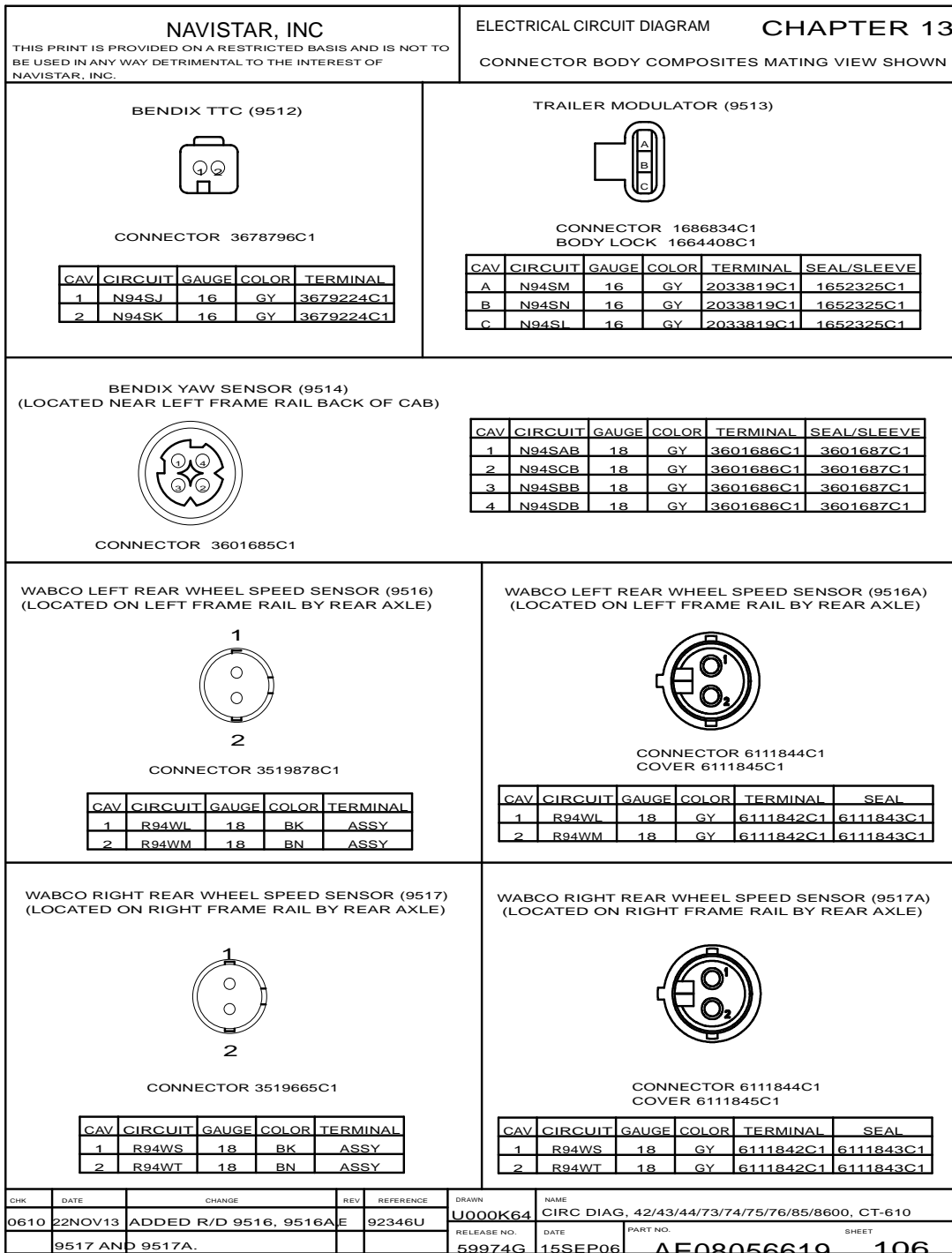


Figure 380 Connector Composites (9512), (9513), (9514), (9516), (9516A), (9517), (9517A)



13.127. CONNECTOR COMPOSITES (9516), (9517), (9518), (9519), (9519A), (9520), (9521), (9522), (9523), (9524), P. 107

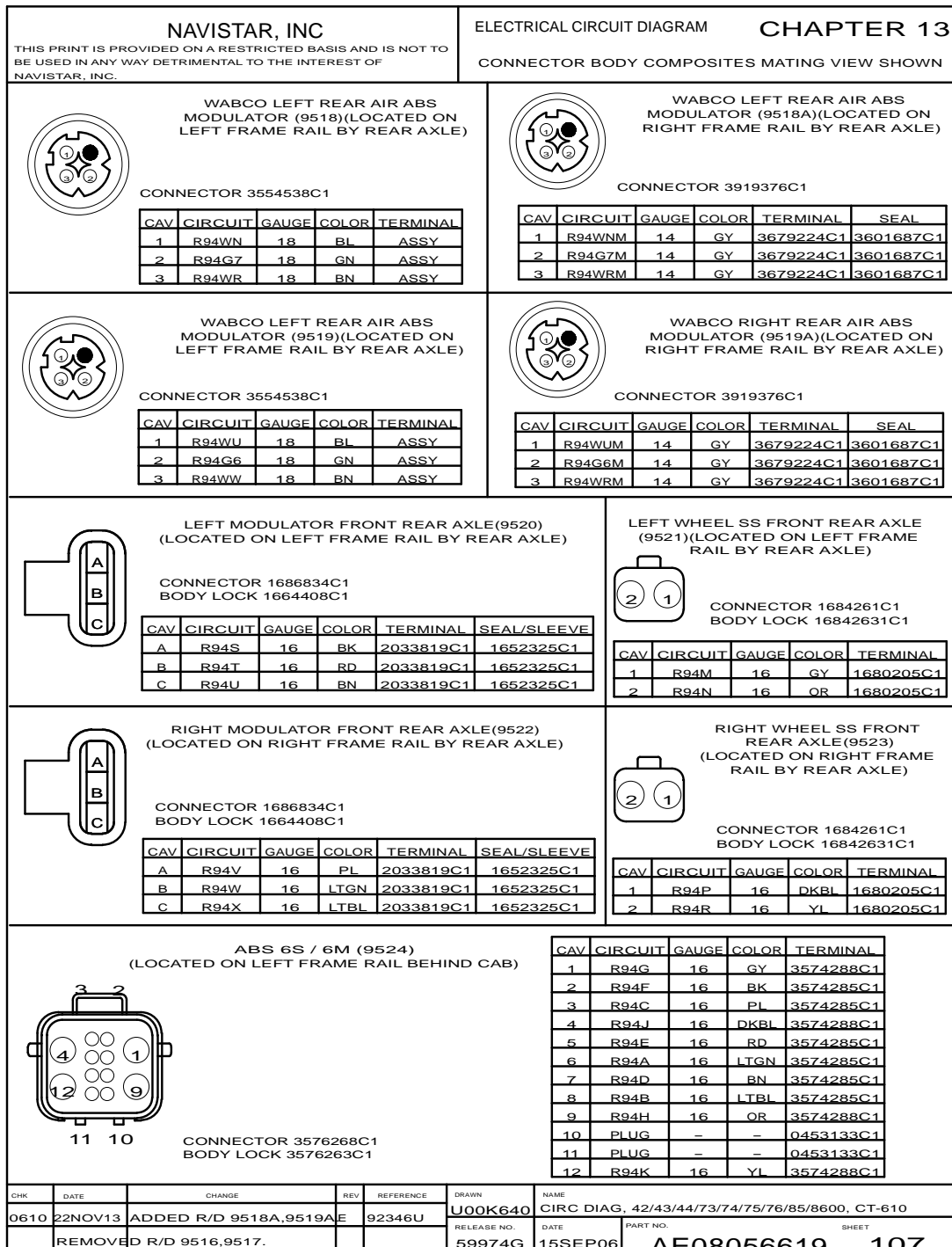


Figure 381 Connector Composites (9516), (9517), (9518), (9519), (9520), (9521), (9522), (9523), (9524)

13.128. CONNECTOR COMPOSITES (9524), (9530), P. 108

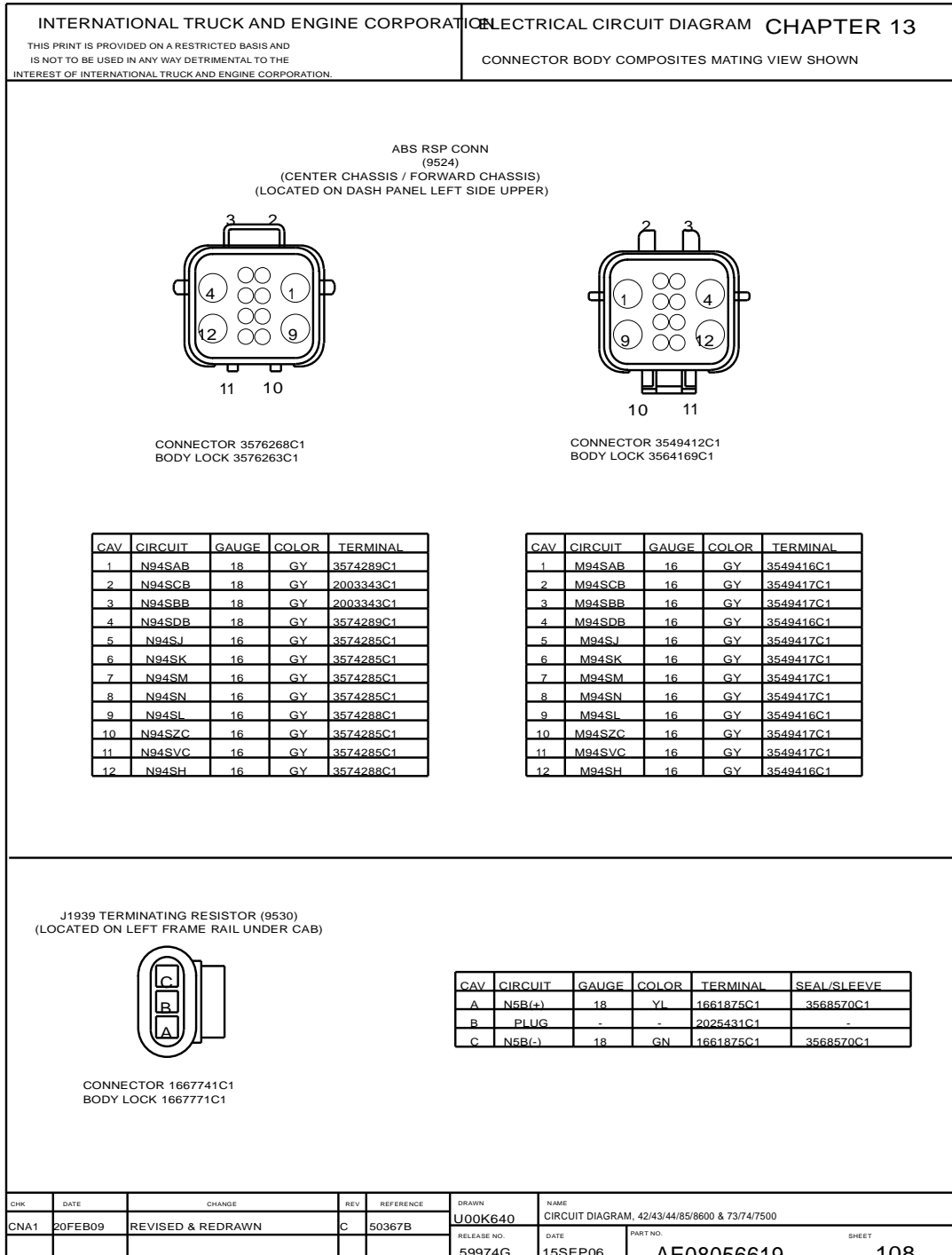


Figure 382 Connector Composites (9524), (9530)

13.129. CONNECTOR COMPOSITES (9715), (9716), P. 109

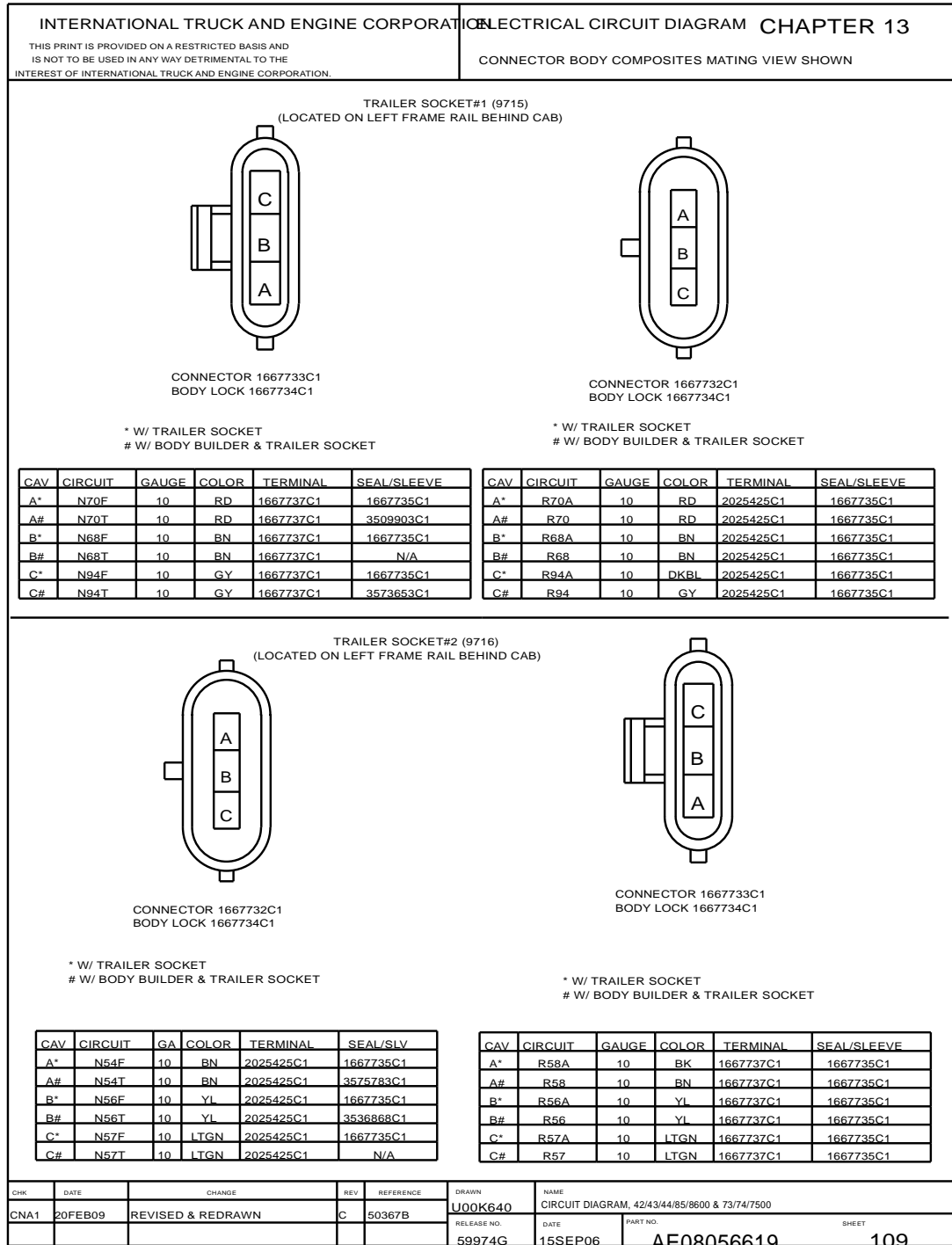


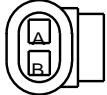
Figure 383 Connector Composites (9715), (9716)

13.130. CONNECTOR COMPOSITES (9718), (9719M), (9720), (9736), (9737), P. 110

INTERNATIONAL TRUCK AND ENGINE CORPORATION				ELECTRICAL CIRCUIT DIAGRAM CHAPTER 13			
THIS PRINT IS PROVIDED ON A RESTRICTED BASIS AND IS NOT TO BE USED IN ANY WAY DETRIMENTAL TO THE INTEREST OF INTERNATIONAL TRUCK AND ENGINE CORPORATION.				CONNECTOR BODY COMPOSITES MATING VIEW SHOWN			

WORK LIGHT - BOC (9718)  
(LOCATED ON LEFT FRAME RAIL AT BACK OF DAYCAB)

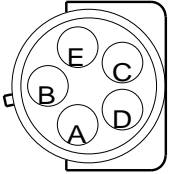


CONNECTOR 1661778C1  
BODY LOCK 1661874C1

CAV	CIRCUIT	GAUGE	COLOR	TERMINAL	SEAL/SLEEVE
A	N65	16	OR	1661875C1	1661872C1
B	N65-G	16	WH	1661875C1	1661872C1

BLACKOUT TRUCK TRAILER LIGHTING (9719M)  
(LOCATED AT MAIN CHASSIS TO REAR CHASSIS INTERCONNECT)

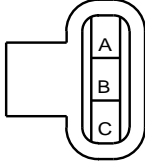


CONNECTOR 1673751C1

CAV	CIRCUIT	GAUGE	COLOR	TERMINAL	SEAL/SLEEVE
A	R54H	12	BN	1673748C1	0589390C1
B	R54L	12	TN	1673748C1	0589390C1
C	R70L	12	RD	1673748C1	0589390C1
D	R70H	12	OR	1673748C1	0589390C1
E	PLUG	-	-	0587579C1	-

BLACKOUT LIGHTING (9720)  
(LOCATED AT REAR END OF LEFT FRAME RAIL)

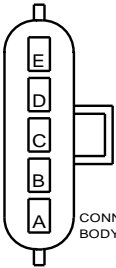


CONNECTOR 1686834C1  
BODY LOCK 1664408C1

CAV	CIRCUIT	GAUGE	COLOR	TERMINAL	SEAL/SLEEVE
A	R70	18	OR	2033819C1	1652325C1
B	R68	18	BN	2033819C1	1652325C1
C	PLUG	-	-	0587579C1	-

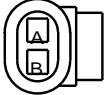
AIR SOLENOID 4 PACK (9736)  
(LOCATED INSIDE LEFT FRAME RAIL UNDER CAB)



CONNECTOR 1661375C2  
BODY LOCK 1661376C1

CAV	CIRCUIT	GAUGE	COLOR	TERMINAL	SEAL/SLEEVE
A	N59A-G	14	WH	2033816C1	0589391C1
B	N59B	18	GY	2033819C1	1652325C1
C	N59C	18	GY	2033819C1	1652325C1
D	N59D	18	GY	2033819C1	1652325C1
E	N59E	18	GY	2033819C1	1652325C1

AIR HORN (9737)  
(LOCATED INSIDE LEFT FRAME RAIL UNDER CAB)



CONNECTOR 3522068C1  
BODY LOCK 1661874C1

CAV	CIRCUIT	GAUGE	COLOR	TERMINAL	SEAL/SLEEVE
A	N59B	18	GY	1661875C1	1661872C1
B	N59A-G	16	WH	1661875C1	1661872C1

CHK	DATE	CHANGE	REV	REFERENCE	DRAWN	NAME
RAW6	04DEC07	REVISED AND REDRAWN	B	61000T	U00K640	CIRCUIT DIAGRAM, 42/43/44/85/8600 & 73/74/7500
					RELEASE NO.	DATE
					59974G	15SEP06
					PART NO.	SHEET
					AE08056619	110

Figure 384 Connector Composites (9718), (9719M), (9720), (9736), (9737)

13.131. CONNECTOR COMPOSITES (9738), (9739), (9740 / 9740A / 9740B / 9740C), P. 111

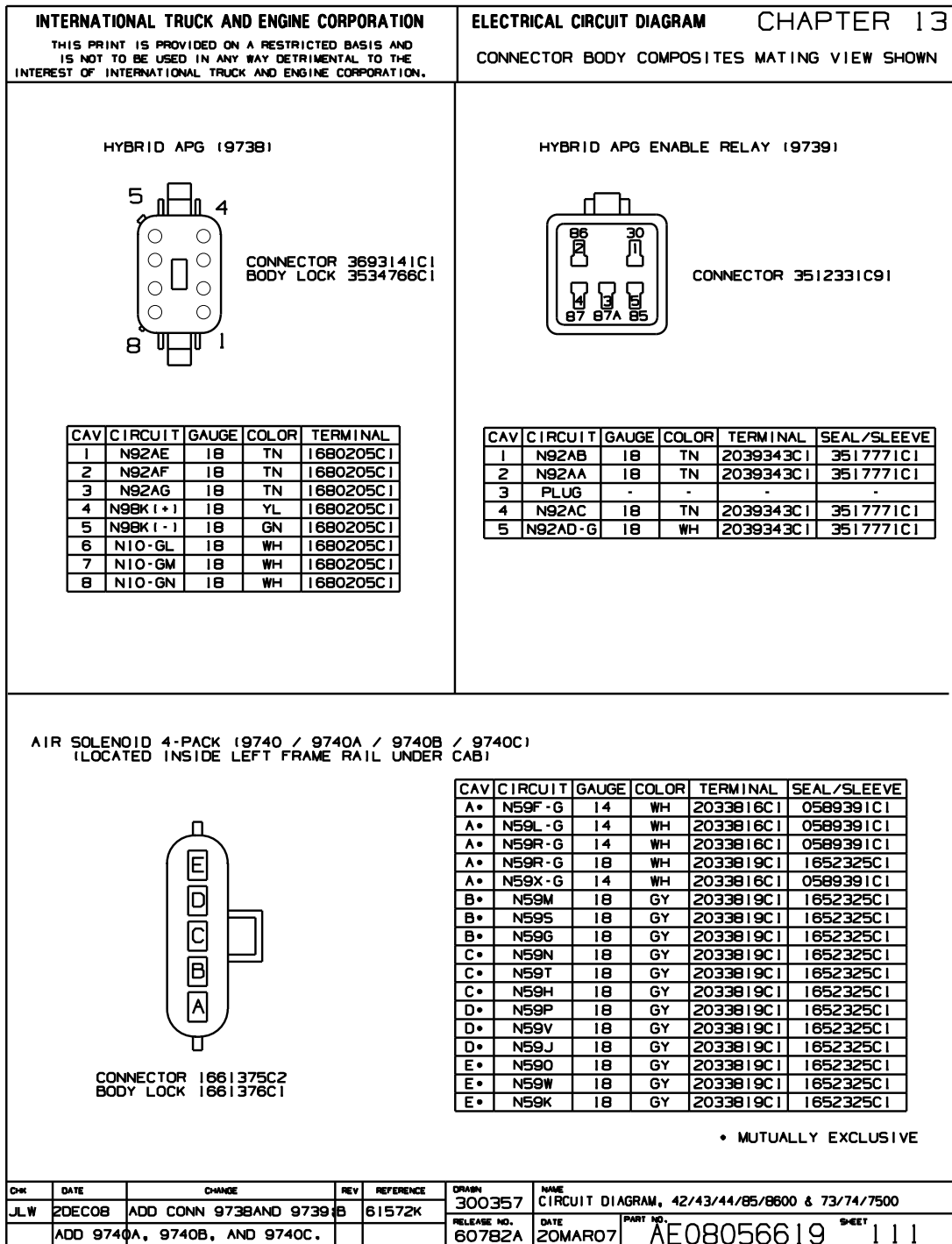


Figure 385 Connector Composites (9738), (9739), (9740 / 9740A / 9740B / 9740C)

13.132. CONNECTOR COMPOSITES (9740), (9745), (9746), (9747), (9748), P. 112

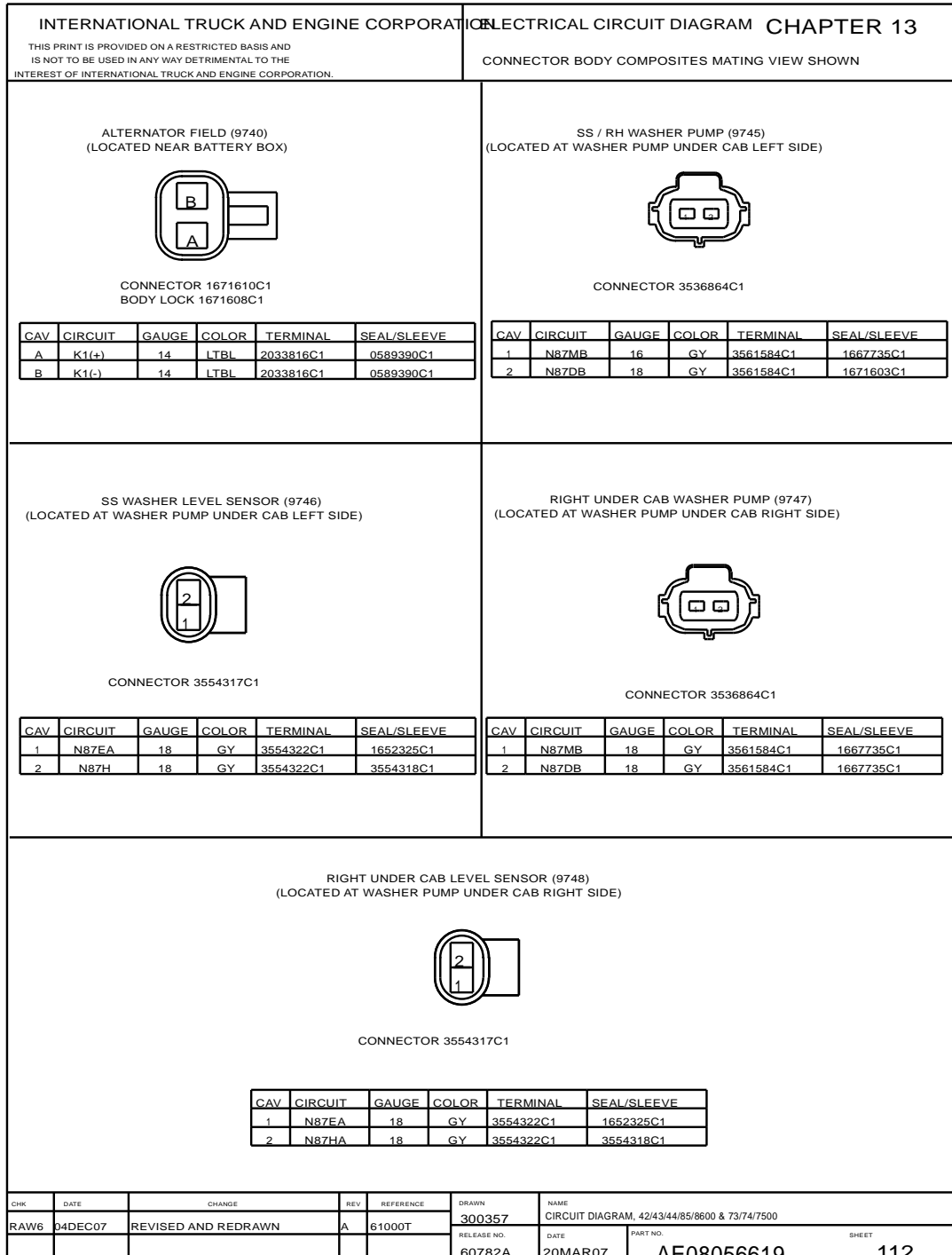


Figure 386 Connector Composites (9740), (9745), (9746), (9747), (9748)

13.133. CONNECTOR COMPOSITES (9751), (9752), (9753), (9753A), (9754), P. 113

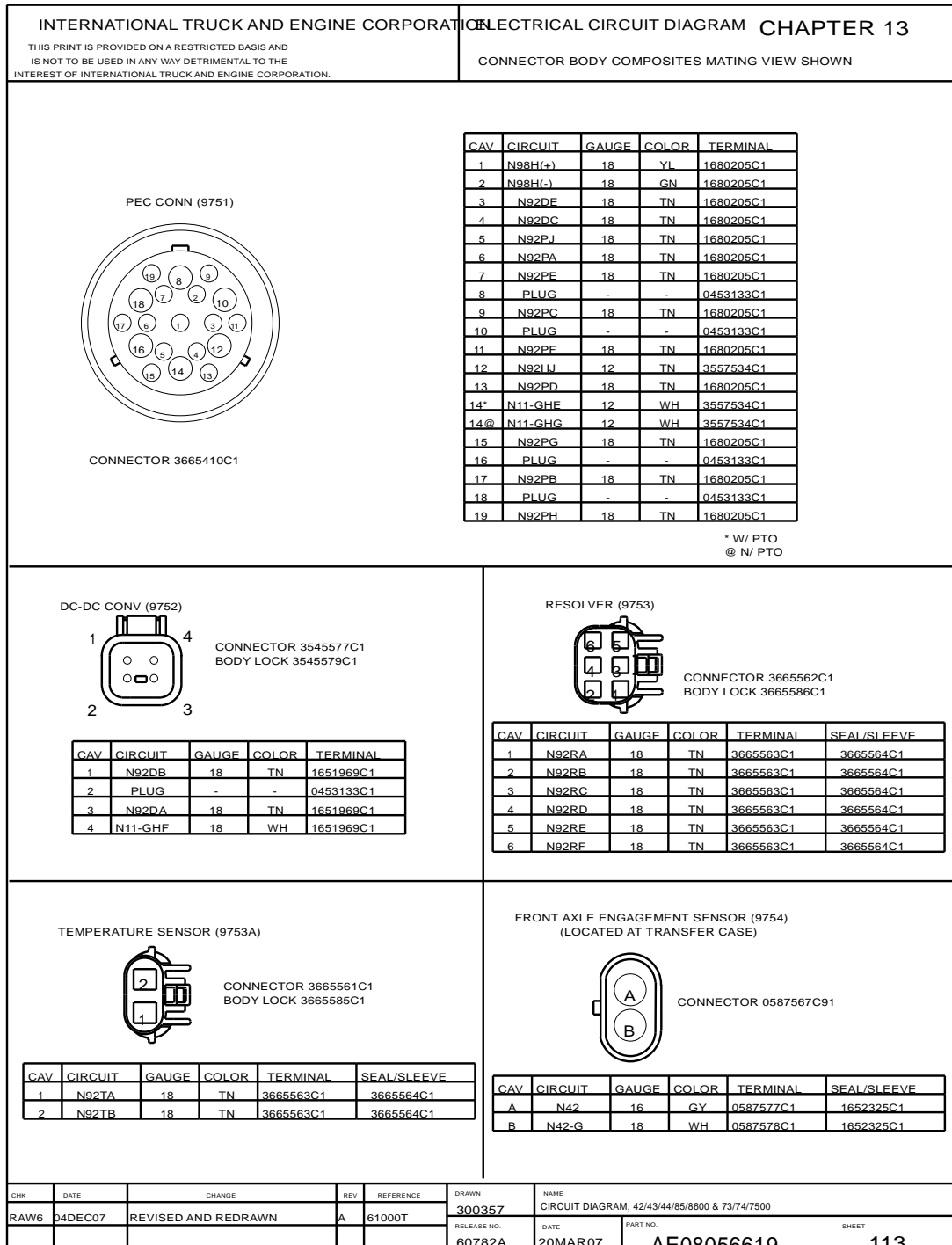


Figure 387 Connector Composites (9751), (9752), (9753), (9753A), (9754)

13.134. CONNECTOR COMPOSITES (9758), (9759), (9760), P. 114

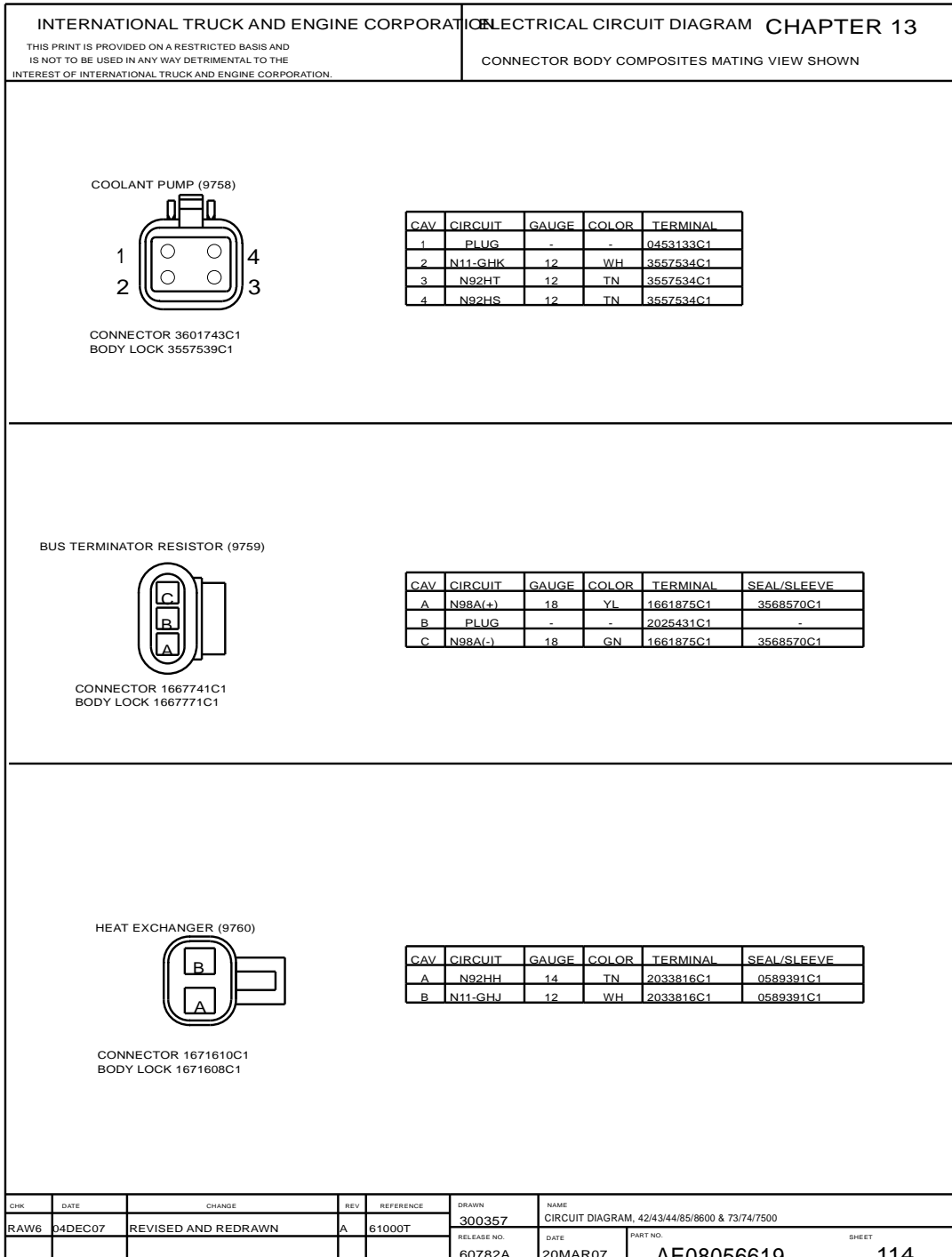


Figure 388 Connector Composites (9758), (9759), (9760)



13.135. CONNECTOR COMPOSITE (9761), P. 115

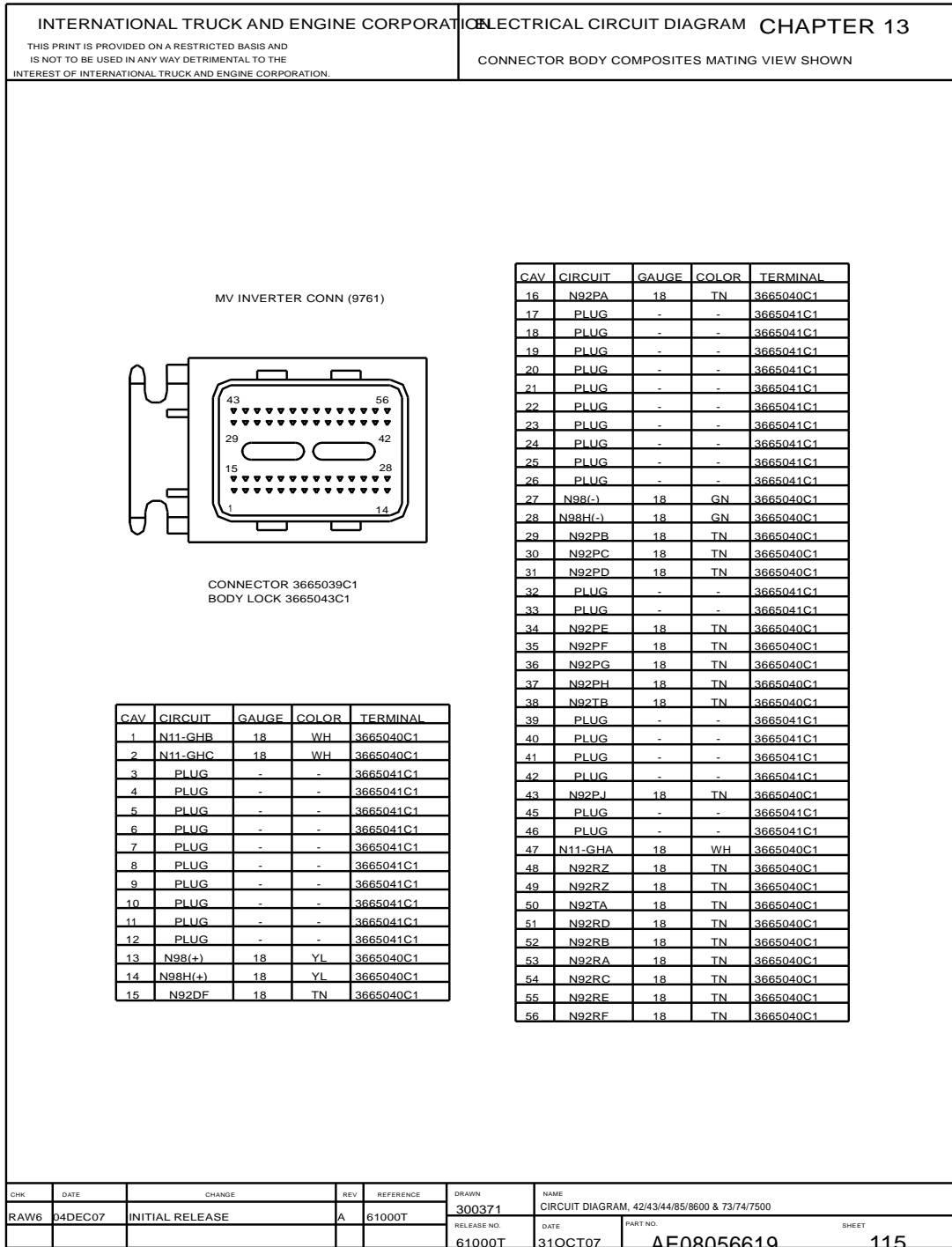


Figure 389 Connector Composite (9761)

13.136. CONNECTOR COMPOSITES (9761F), (9762), (9763), (9764), (9765), (9766), P. 116

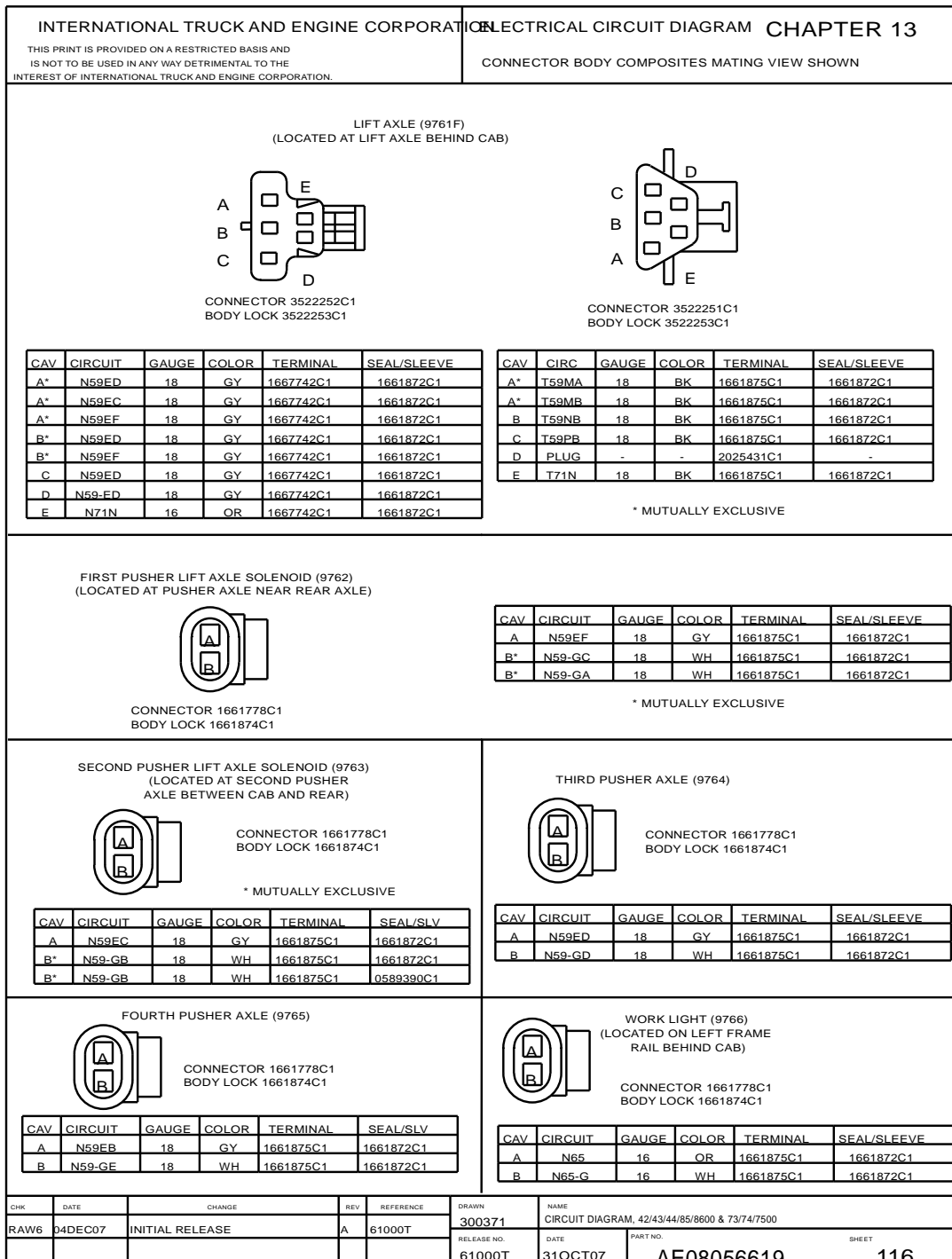


Figure 390 Connector Composites (9761F), (9762), (9763), (9764), (9765), (9766)

13.137. CONNECTOR COMPOSITES (9775), (9777), (9777A), (9777M), (9778), P. 117

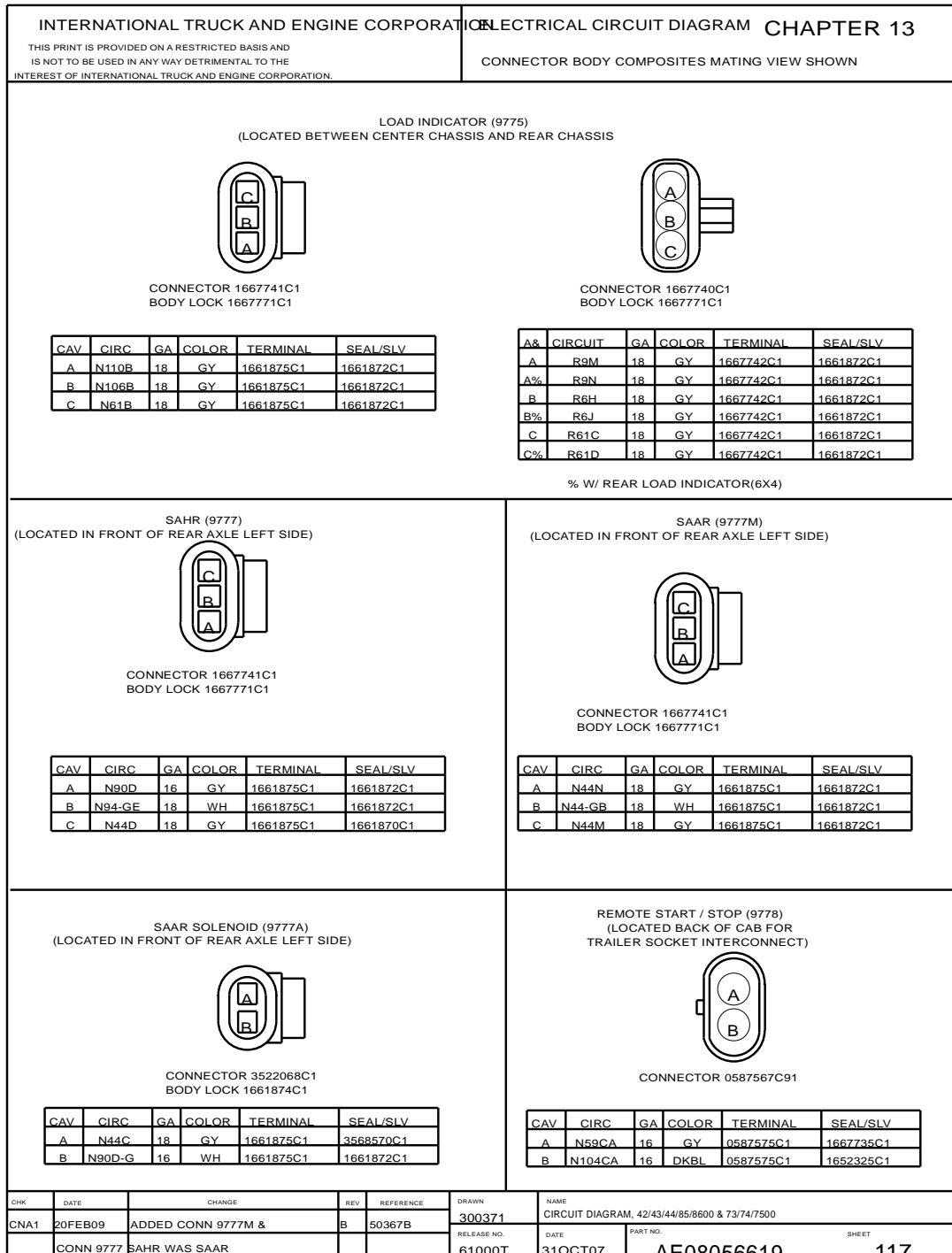


Figure 391 Connector Composites (9775), (9777), (9777A), (9777M), (9778)

13.138. CONNECTOR COMPOSITES (9779F), (9780M), (9781M), (9782F), P. 118

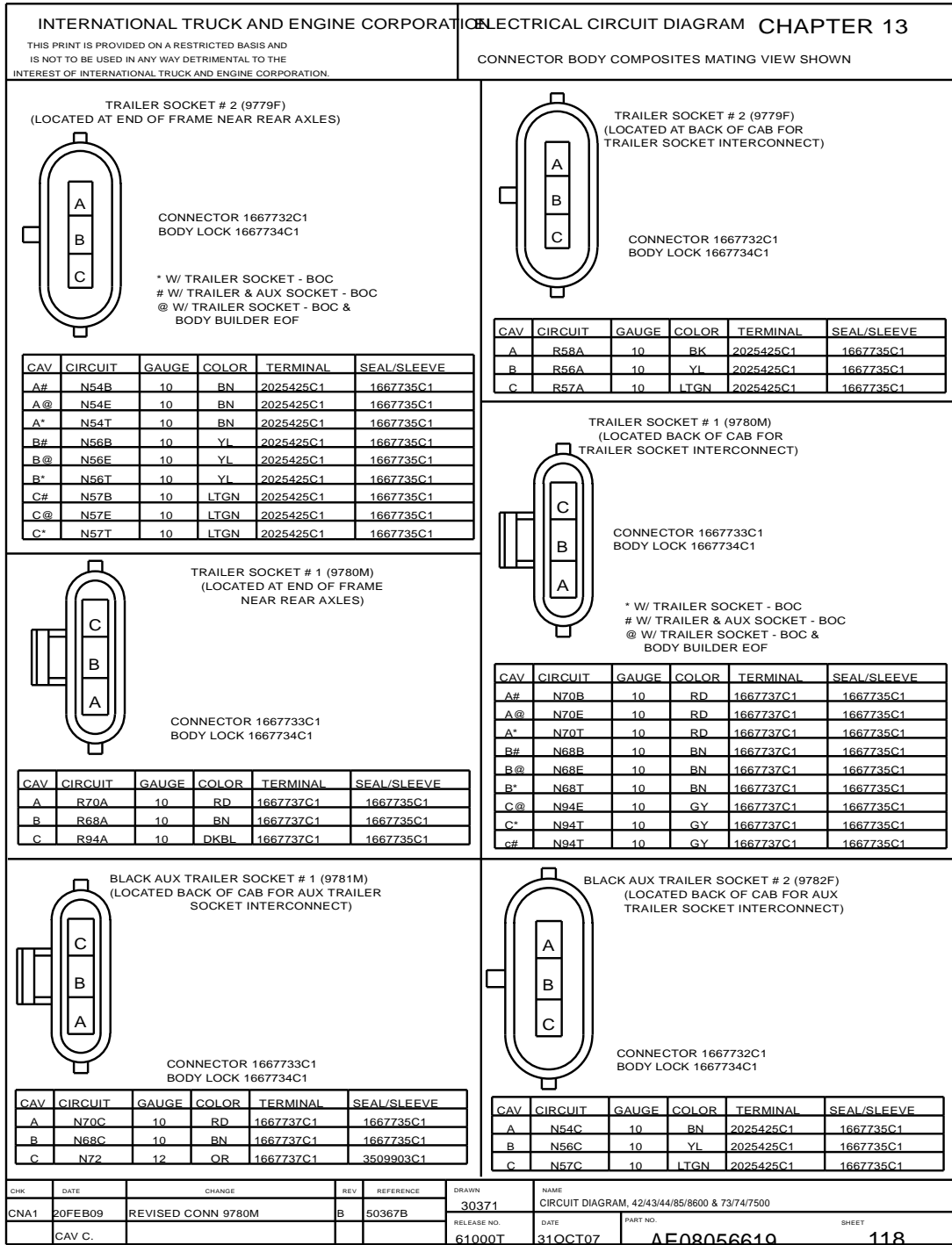


Figure 392 Connector Composites (9779F), (9780M), (9781M), (9782F)

13.139. CONNECTOR COMPOSITES (9800), P. 119

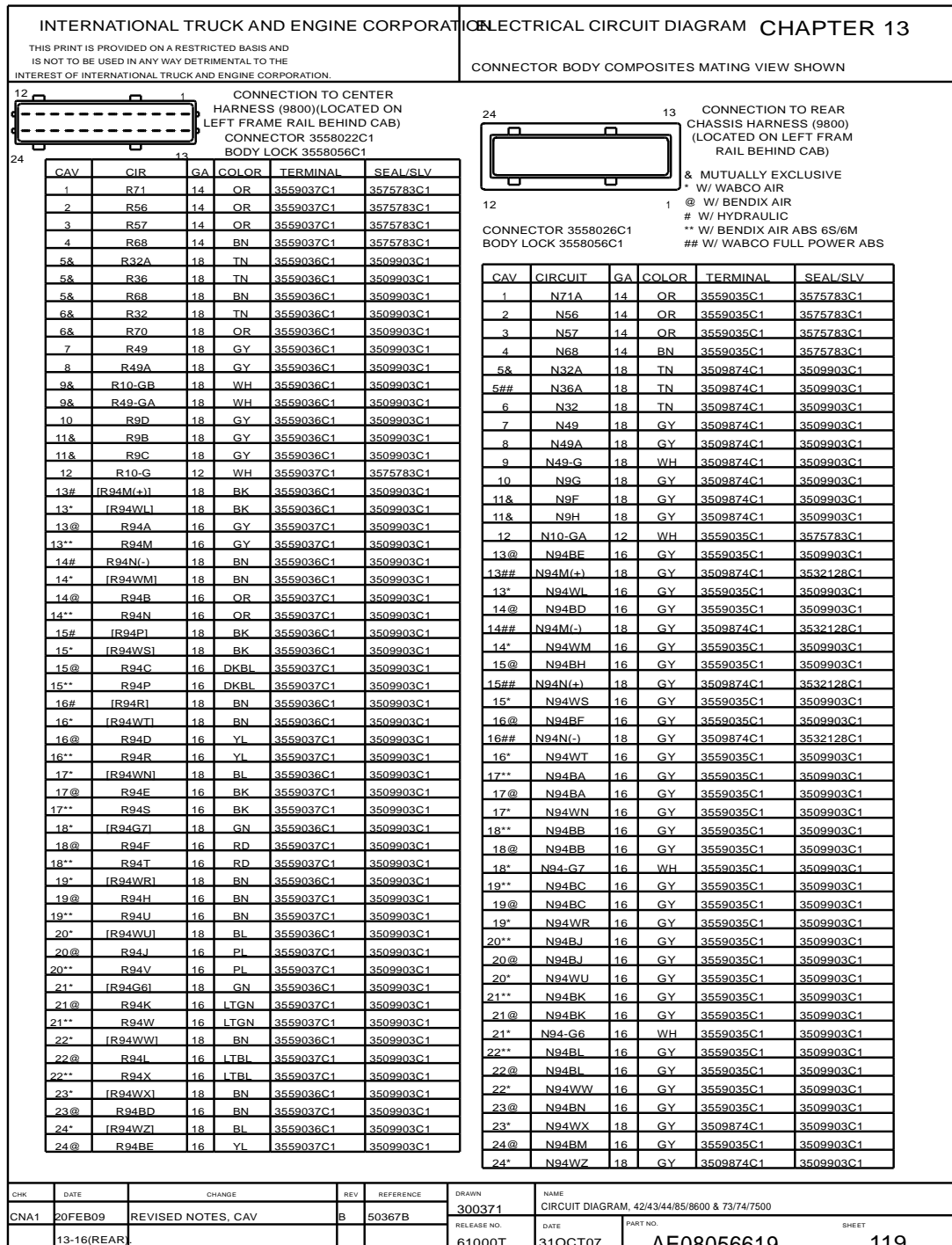


Figure 393 Connector Composites (9800)

13.140. CONNECTOR COMPOSITES (9811), (9812), (9814), (9815), (9820M), P. 120

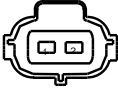
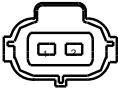
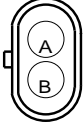
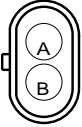
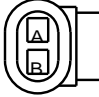
INTERNATIONAL TRUCK AND ENGINE CORPORATION				ELECTRICAL CIRCUIT DIAGRAM CHAPTER 13																																													
THIS PRINT IS PROVIDED ON A RESTRICTED BASIS AND IS NOT TO BE USED IN ANY WAY DETRIMENTAL TO THE INTEREST OF INTERNATIONAL TRUCK AND ENGINE CORPORATION.				CONNECTOR BODY COMPOSITES MATING VIEW SHOWN																																													
<p>FORWARD REAR AXLE TEMP SENDER (9811) (LOCATED ON LEFT FRAME RAIL BY FORWARD REAR AXLE)</p>  <table border="1" style="margin-left: auto; margin-right: auto;"> <thead> <tr> <th>CAV</th> <th>CIRCUIT</th> <th>GAUGE</th> <th>COLOR</th> <th>TERMINAL</th> <th>SEAL/SLEEVE</th> </tr> </thead> <tbody> <tr> <td>1</td> <td>R32A</td> <td>18</td> <td>TN</td> <td>3536865C1</td> <td>3536868C1</td> </tr> <tr> <td>2</td> <td>R9A</td> <td>18</td> <td>GY</td> <td>3536865C1</td> <td>3536868C1</td> </tr> </tbody> </table> <p style="text-align: center;">CONNECTOR 3536864C1</p>								CAV	CIRCUIT	GAUGE	COLOR	TERMINAL	SEAL/SLEEVE	1	R32A	18	TN	3536865C1	3536868C1	2	R9A	18	GY	3536865C1	3536868C1																								
CAV	CIRCUIT	GAUGE	COLOR	TERMINAL	SEAL/SLEEVE																																												
1	R32A	18	TN	3536865C1	3536868C1																																												
2	R9A	18	GY	3536865C1	3536868C1																																												
<p>REAR AXLE TEMP SENDER (9812) (LOCATED ON LEFT FRAME RAIL BY REAR REAR AXLE)</p>  <p style="text-align: center;">CONNECTOR 3536864C1</p> <p style="text-align: center;">* MUTUALLY EXCLUSIVE</p> <table border="1" style="margin-left: auto; margin-right: auto;"> <thead> <tr> <th>CAV</th> <th>CIRCUIT</th> <th>GAUGE</th> <th>COLOR</th> <th>TERMINAL</th> <th>SEAL/SLEEVE</th> </tr> </thead> <tbody> <tr> <td>1</td> <td>R32</td> <td>18</td> <td>TN</td> <td>3536865C1</td> <td>3536868C1</td> </tr> <tr> <td>2*</td> <td>R9</td> <td>18</td> <td>GY</td> <td>3536865C1</td> <td>3536868C1</td> </tr> <tr> <td>2*</td> <td>R9C</td> <td>18</td> <td>GY</td> <td>3536865C1</td> <td>3536868C1</td> </tr> </tbody> </table>				CAV	CIRCUIT	GAUGE	COLOR	TERMINAL	SEAL/SLEEVE	1	R32	18	TN	3536865C1	3536868C1	2*	R9	18	GY	3536865C1	3536868C1	2*	R9C	18	GY	3536865C1	3536868C1	<p>FRONT REAR AXLE DIFF LOCK (9814) WARNING LIGHT (LOCATED ON FRONT OF FORWARD REAR AXLE)</p>  <p style="text-align: center;">CONNECTOR 0587567C91</p> <table border="1" style="margin-left: auto; margin-right: auto;"> <thead> <tr> <th>CAV</th> <th>CIRCUIT</th> <th>GAUGE</th> <th>COLOR</th> <th>TERMINAL</th> <th>SEAL/SLEEVE</th> </tr> </thead> <tbody> <tr> <td>A</td> <td>R49</td> <td>18</td> <td>GY</td> <td>0587578C1</td> <td>1652325C1</td> </tr> <tr> <td>B</td> <td>R49-G</td> <td>18</td> <td>WH</td> <td>0587578C1</td> <td>1652325C1</td> </tr> </tbody> </table>				CAV	CIRCUIT	GAUGE	COLOR	TERMINAL	SEAL/SLEEVE	A	R49	18	GY	0587578C1	1652325C1	B	R49-G	18	WH	0587578C1	1652325C1
CAV	CIRCUIT	GAUGE	COLOR	TERMINAL	SEAL/SLEEVE																																												
1	R32	18	TN	3536865C1	3536868C1																																												
2*	R9	18	GY	3536865C1	3536868C1																																												
2*	R9C	18	GY	3536865C1	3536868C1																																												
CAV	CIRCUIT	GAUGE	COLOR	TERMINAL	SEAL/SLEEVE																																												
A	R49	18	GY	0587578C1	1652325C1																																												
B	R49-G	18	WH	0587578C1	1652325C1																																												
<p>REAR REAR AXLE DIFF LOCK WARNING LIGHT (9815) (LOCATED ON FRONT OF REAR REAR AXLE)</p>  <p style="text-align: center;">CONNECTOR 0587567C91</p> <table border="1" style="margin-left: auto; margin-right: auto;"> <thead> <tr> <th>CAV</th> <th>CIRCUIT</th> <th>GAUGE</th> <th>COLOR</th> <th>TERMINAL</th> <th>SEAL/SLEEVE</th> </tr> </thead> <tbody> <tr> <td>A</td> <td>R49A</td> <td>18</td> <td>GY</td> <td>0587578C1</td> <td>1652325C1</td> </tr> <tr> <td>B</td> <td>R49-GA</td> <td>18</td> <td>WH</td> <td>0587578C1</td> <td>1652325C1</td> </tr> </tbody> </table>				CAV	CIRCUIT	GAUGE	COLOR	TERMINAL	SEAL/SLEEVE	A	R49A	18	GY	0587578C1	1652325C1	B	R49-GA	18	WH	0587578C1	1652325C1	<p>LIFT AXLE SOLENOID (9820M) (LOCATED BACK OF CAB FOR AUX TRAILER SOCKET INTERCONNECT)</p>  <p style="text-align: center;">CONNECTOR 3543888C1 BODY LOCK 1661874C1</p> <table border="1" style="margin-left: auto; margin-right: auto;"> <thead> <tr> <th>CAV</th> <th>CIRCUIT</th> <th>GAUGE</th> <th>COLOR</th> <th>TERMINAL</th> <th>SEAL/SLEEVE</th> </tr> </thead> <tbody> <tr> <td>A</td> <td>N59ED</td> <td>18</td> <td>GY</td> <td>1661875C1</td> <td>1661872C1</td> </tr> <tr> <td>B*</td> <td>N59-GD</td> <td>18</td> <td>WH</td> <td>1661875C1</td> <td>1661872C1</td> </tr> <tr> <td>B*</td> <td>N59-GA</td> <td>18</td> <td>WH</td> <td>1661875C1</td> <td>1661872C1</td> </tr> </tbody> </table> <p style="text-align: center;">* MUTUALLY EXCLUSIVE</p>				CAV	CIRCUIT	GAUGE	COLOR	TERMINAL	SEAL/SLEEVE	A	N59ED	18	GY	1661875C1	1661872C1	B*	N59-GD	18	WH	1661875C1	1661872C1	B*	N59-GA	18	WH	1661875C1	1661872C1
CAV	CIRCUIT	GAUGE	COLOR	TERMINAL	SEAL/SLEEVE																																												
A	R49A	18	GY	0587578C1	1652325C1																																												
B	R49-GA	18	WH	0587578C1	1652325C1																																												
CAV	CIRCUIT	GAUGE	COLOR	TERMINAL	SEAL/SLEEVE																																												
A	N59ED	18	GY	1661875C1	1661872C1																																												
B*	N59-GD	18	WH	1661875C1	1661872C1																																												
B*	N59-GA	18	WH	1661875C1	1661872C1																																												
CHK	DATE	CHANGE	REV	REFERENCE	DRAWN	NAME																																											
RAW6	04DEC07	INITIAL RELEASE	A	61000T	300371	CIRCUIT DIAGRAM, 42/43/44/85/8600 & 73/74/7500																																											
					RELEASE NO.	DATE	PART NO.																																										
					61000T	31OCT07	AE08056619																																										
						SHEET	120																																										

Figure 394 Connector Composites (9811), (9812), (9814), (9815), (9820M)

13.141. CONNECTOR COMPOSITES (9830), (9832), (9900), (9900E), P. 121

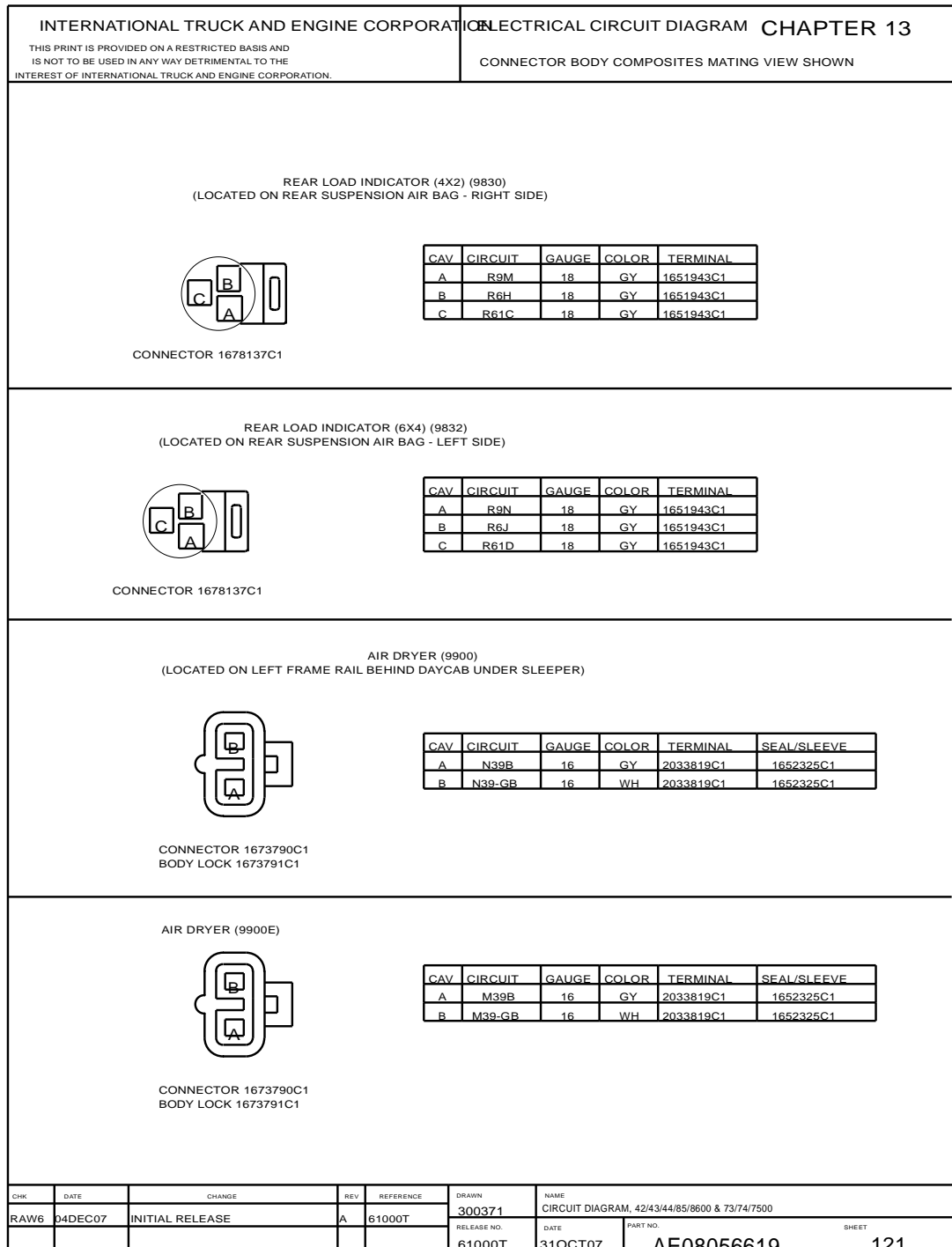


Figure 395 Connector Composites (9830), (9832), (9900), (9900E)

13.142. CONNECTOR COMPOSITES (9913B), (9915), (9920), (9921), (9994), (9999), P. 122

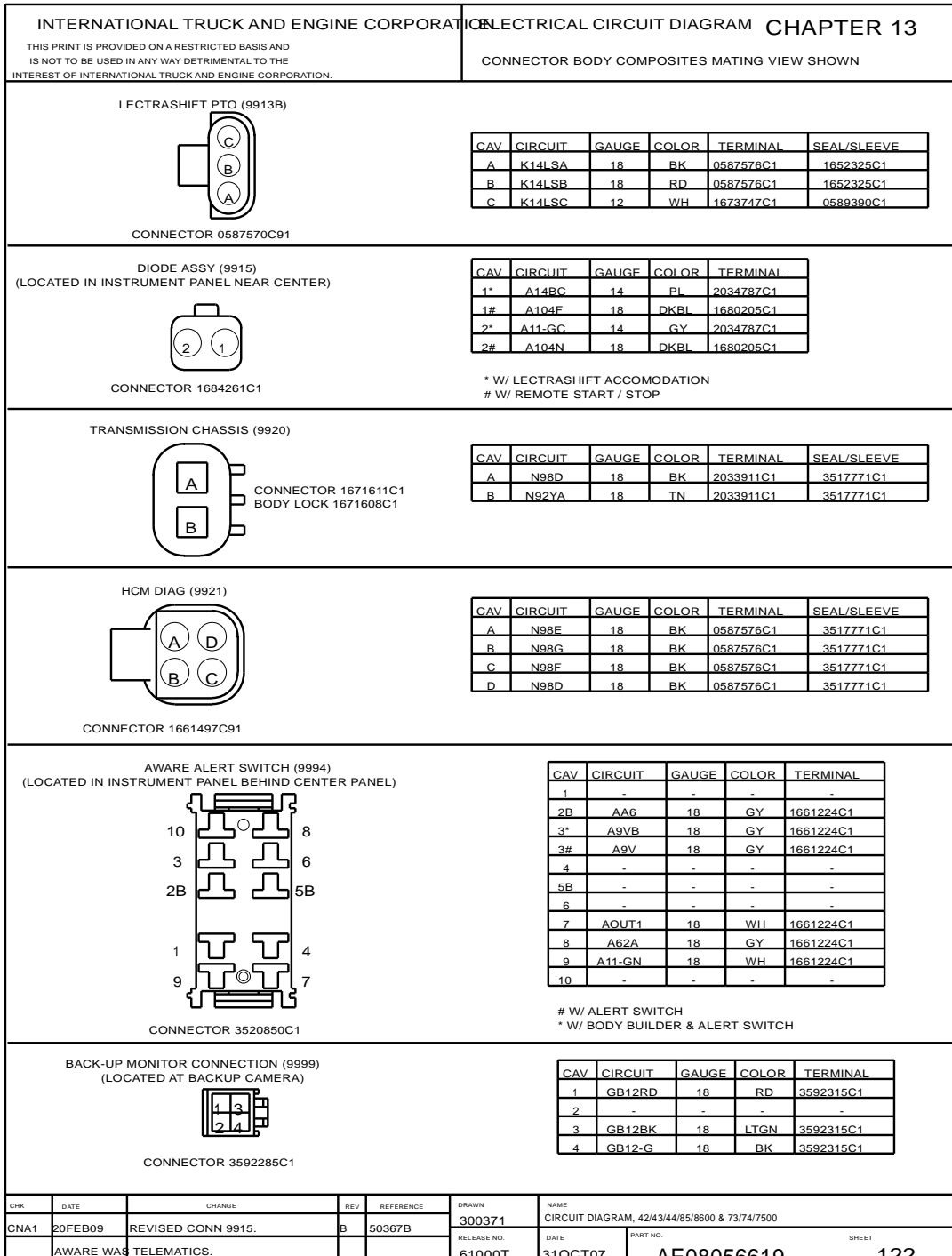


Figure 396 Connector Composites (9913B), (9915), (9920), (9921), (9994), (9999)